



US00D658059S

(12) **United States Design Patent**
Bailey

(10) **Patent No.:** **US D658,059 S**

(45) **Date of Patent:** **** Apr. 24, 2012**

(54) **DISPOSABLE FOAMING ESPRESSO DRINK LID**

D543,777 S * 6/2007 Seum et al. D7/392.1
D544,749 S * 6/2007 Seum et al. D7/392.1
D592,056 S * 5/2009 Tedford, Jr. D9/447

(75) Inventor: **Craig Bailey**, Camas, WA (US)

* cited by examiner

(73) Assignee: **Foam Aroma LLC**, Camas, WA (US)

Primary Examiner — Susan Bennett Hattan

(**) Term: **14 Years**

(74) *Attorney, Agent, or Firm* — Mark E. Beatty; Kurt M. Rylander; Rylander & Associates, PC

(21) Appl. No.: **29/396,206**

(57) **CLAIM**

(22) Filed: **Jun. 27, 2011**

The ornamental design for a disposable foaming espresso drink lid, as shown and described.

(51) **LOC (9) Cl.** **09-07**

(52) **U.S. Cl.** **D9/447; D9/454**

(58) **Field of Classification Search** D9/772,
D9/454, 450, 449, 447, 438, 436, 435, 434;
D7/396.2, 392.1; 220/713, 711, 703, 377,
220/273, 270, 256.1, 254.1

See application file for complete search history.

DESCRIPTION

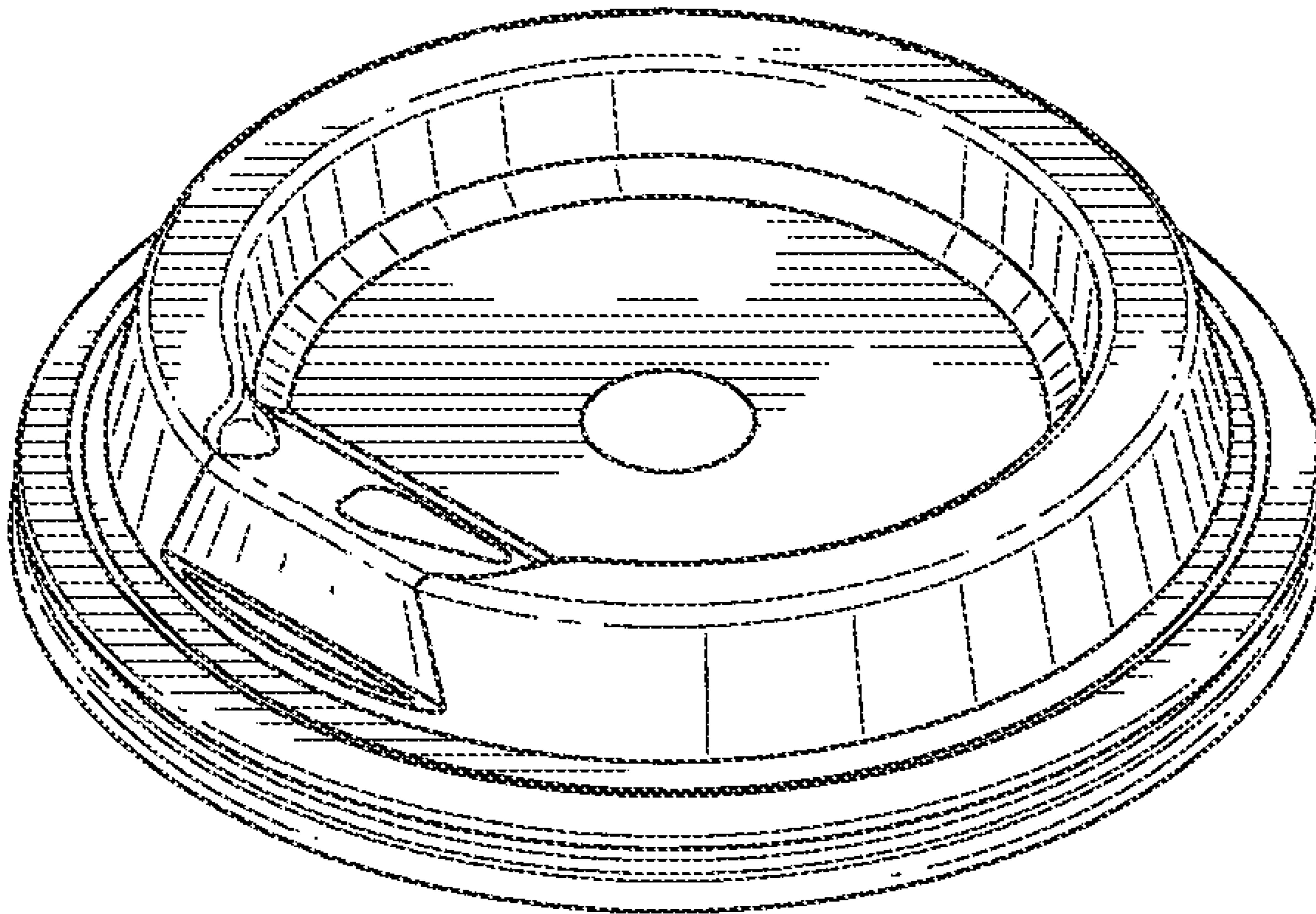
FIG. 1 shows a top plan view.
FIG. 2 shows a bottom plan view.
FIG. 3 shows a front (drinking side) edge view.
FIG. 4 shows a back edge view.
FIG. 5 shows a right edge view.
FIG. 6 shows a left edge view.
FIG. 7 shows a top perspective view.
FIG. 8 shows a bottom perspective view; and,
FIG. 9 shows a front perspective view.

(56) **References Cited**

U.S. PATENT DOCUMENTS

D369,109 S * 4/1996 Proshan D9/447
D415,027 S * 10/1999 Blazar D9/447
D478,006 S * 8/2003 Smith et al. D9/447

1 Claim, 5 Drawing Sheets



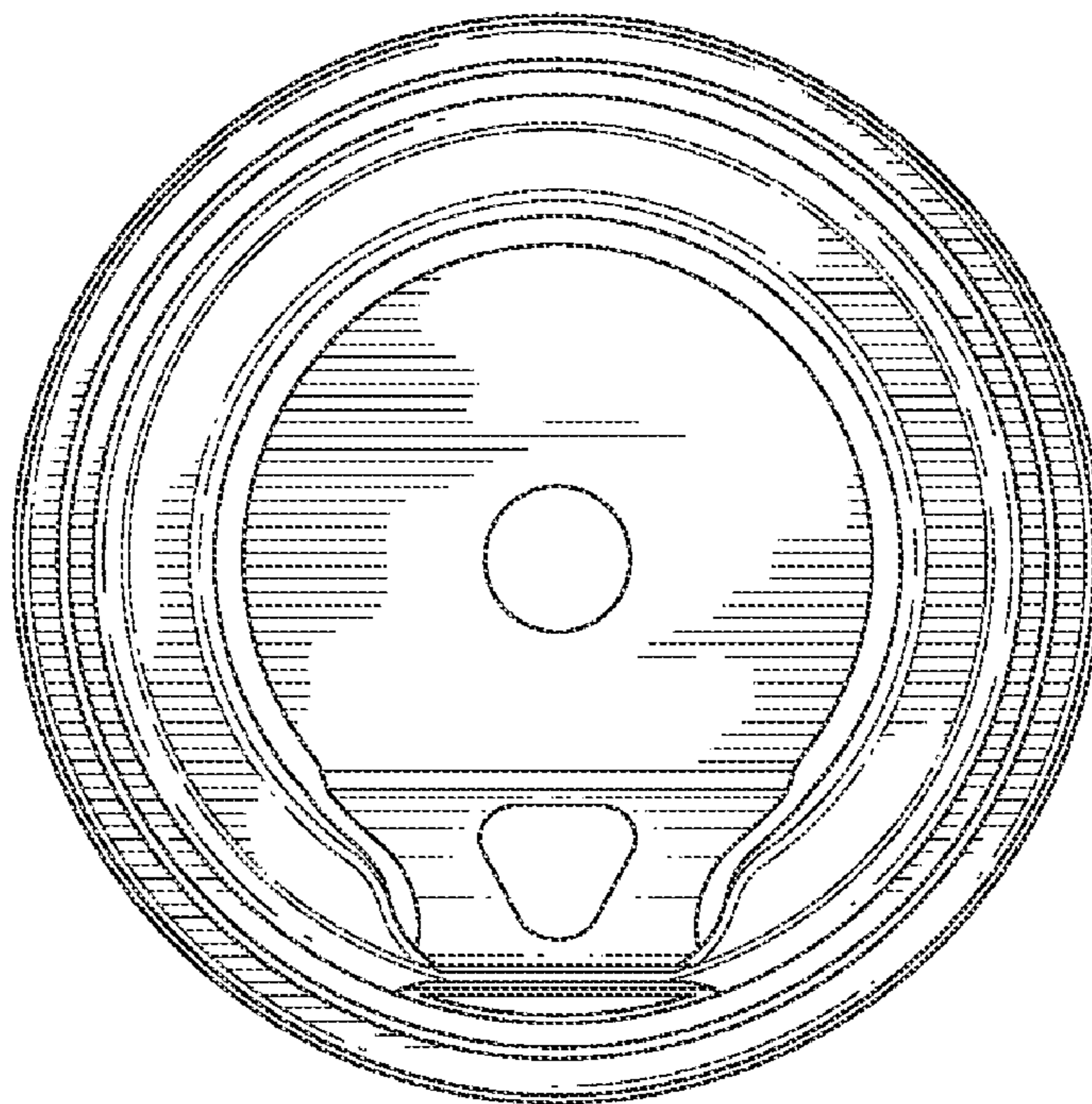


FIG. 1

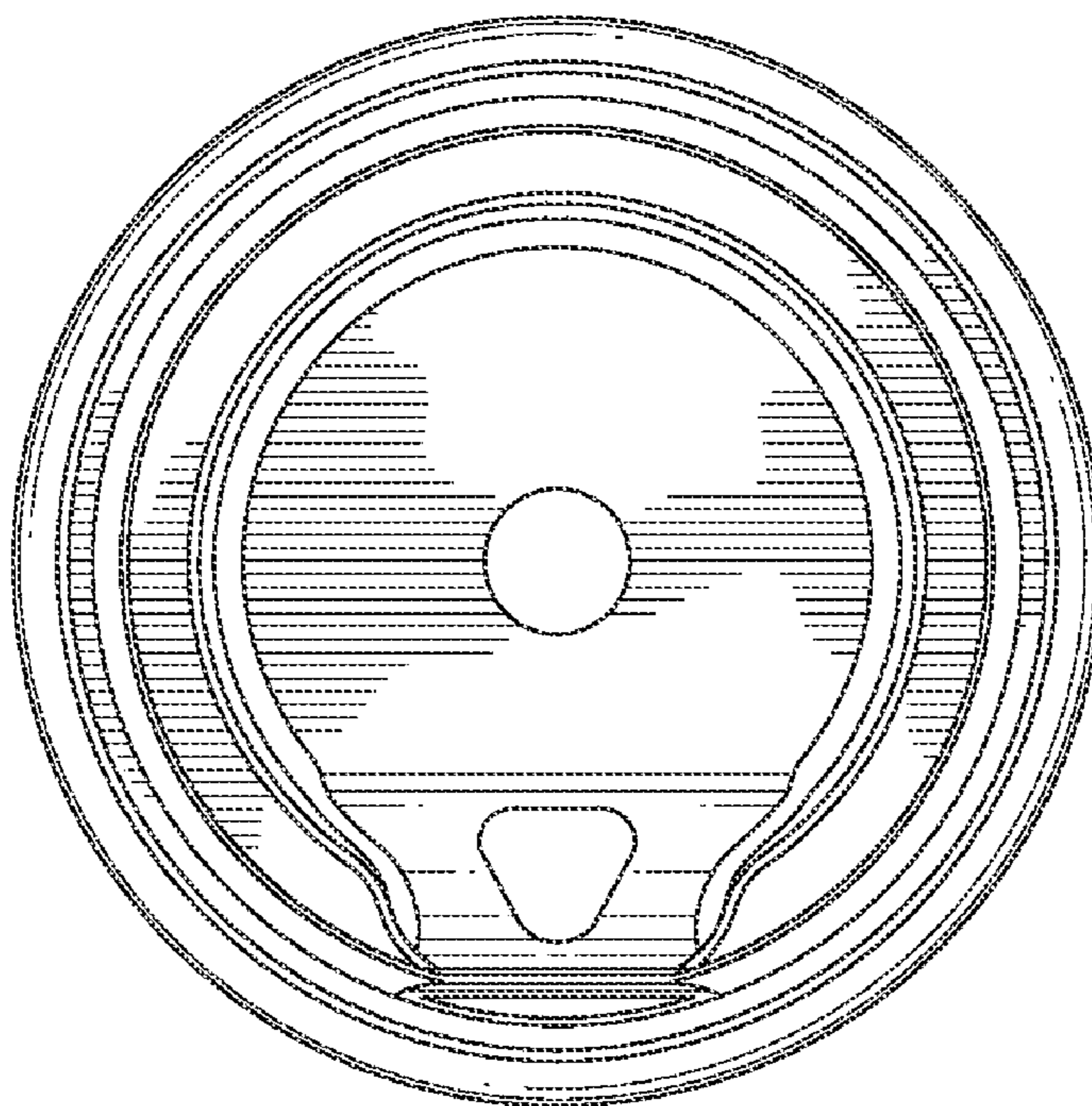


FIG. 2

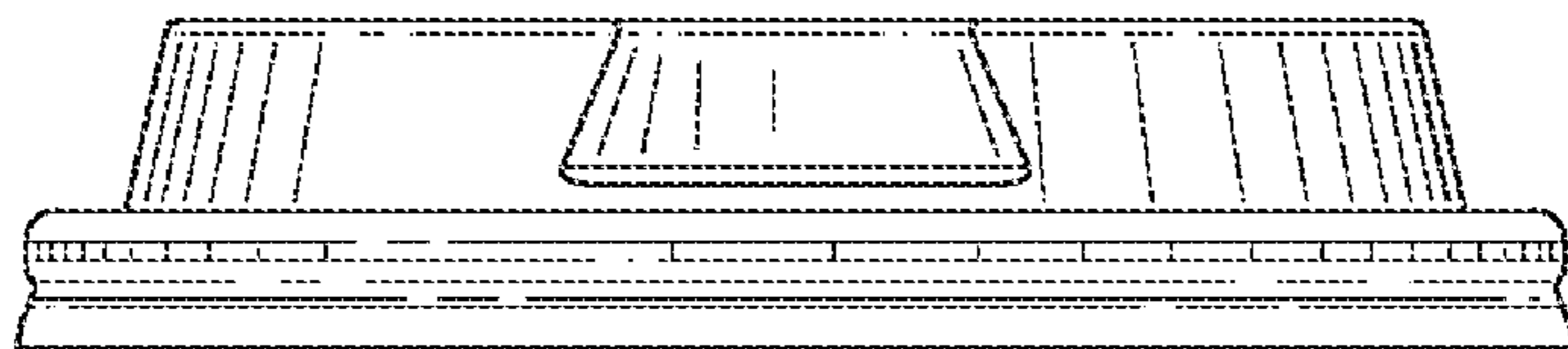


FIG. 3

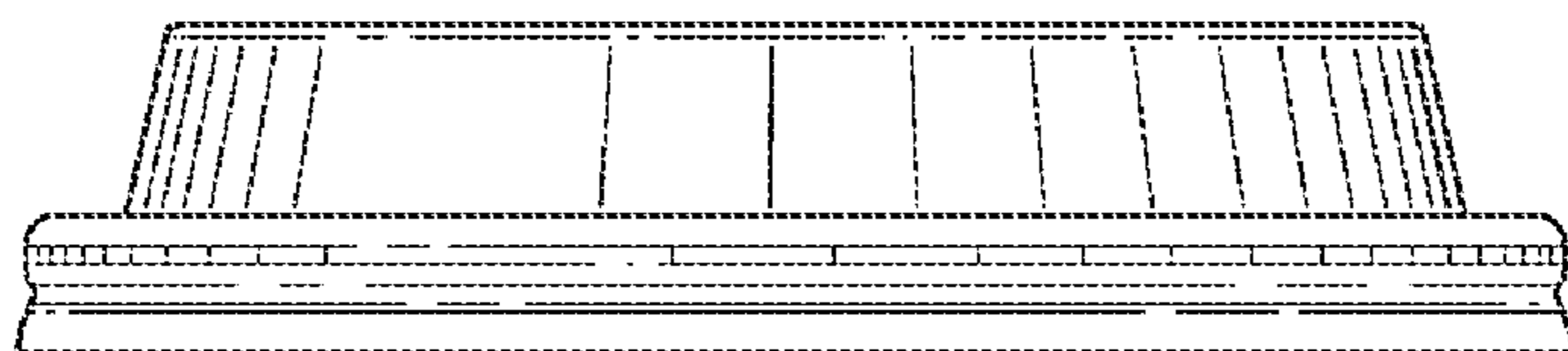


FIG. 4

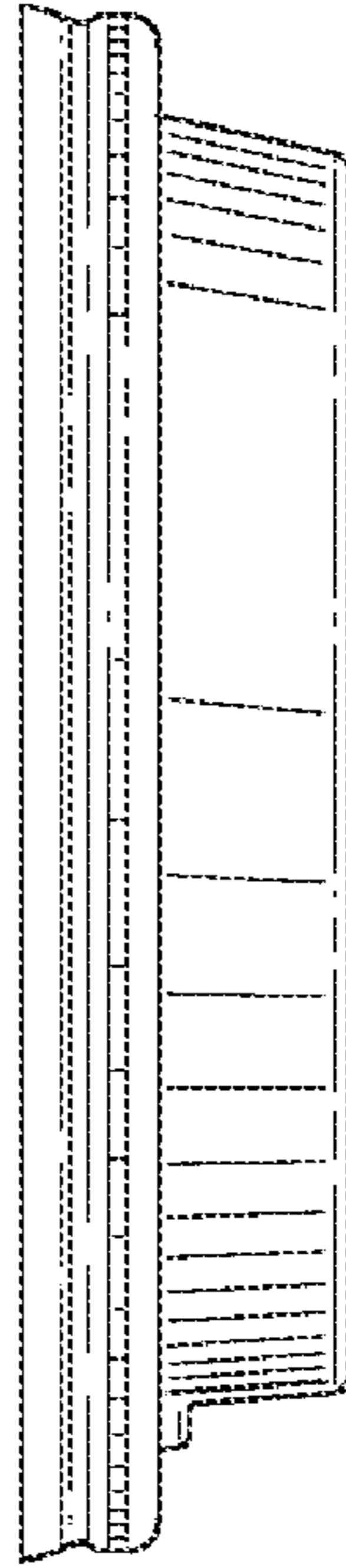


FIG. 5

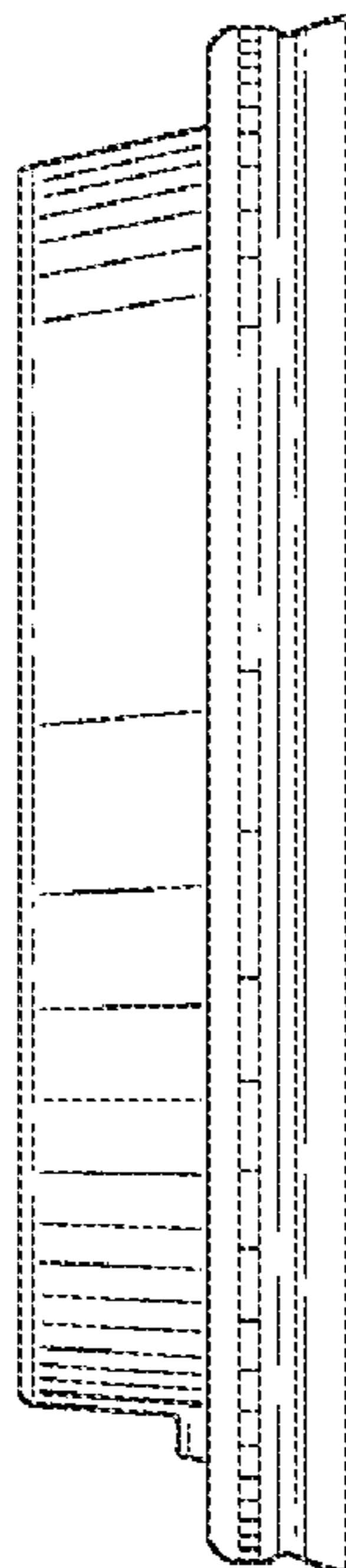


FIG. 6

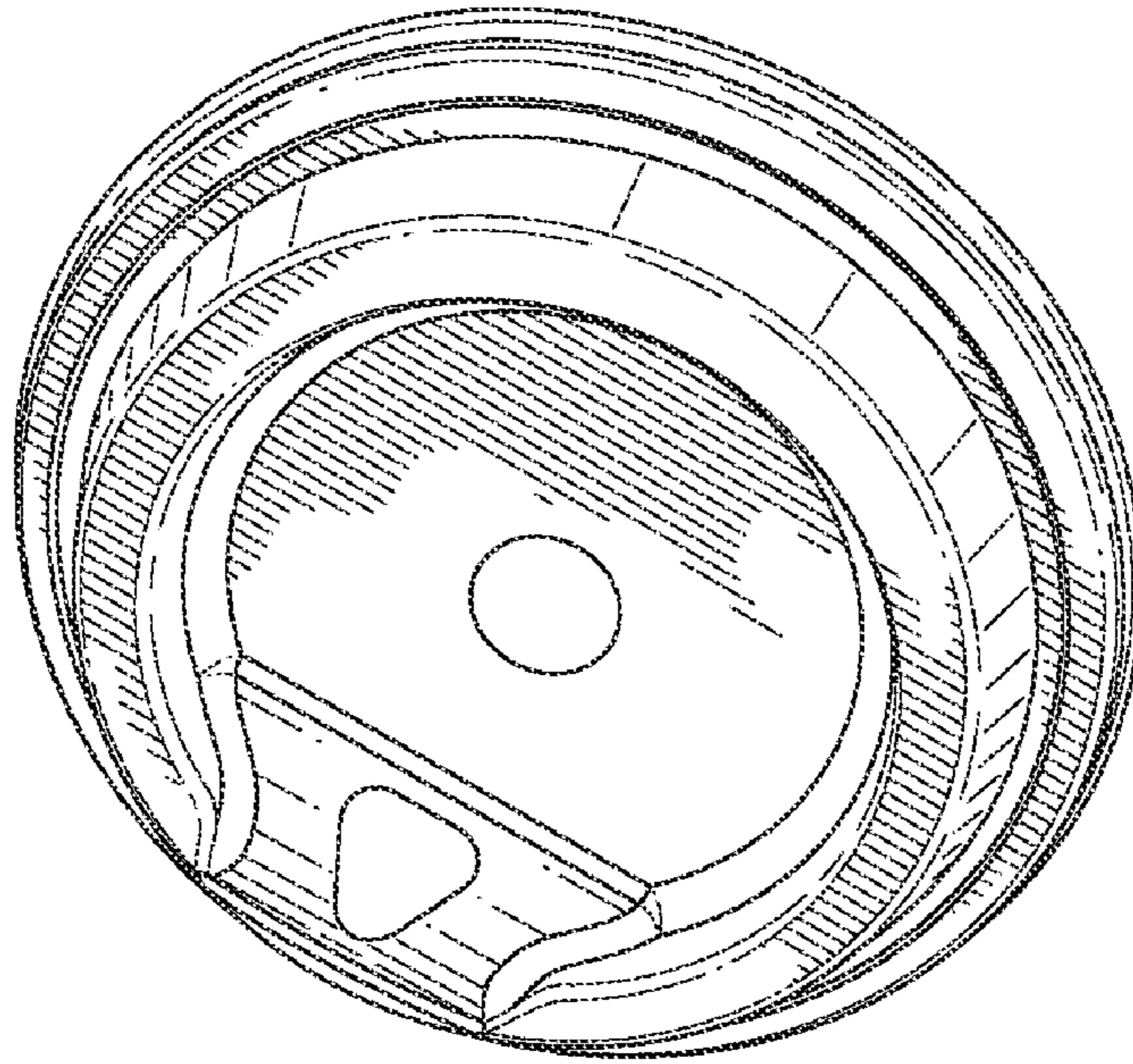


FIG. 7

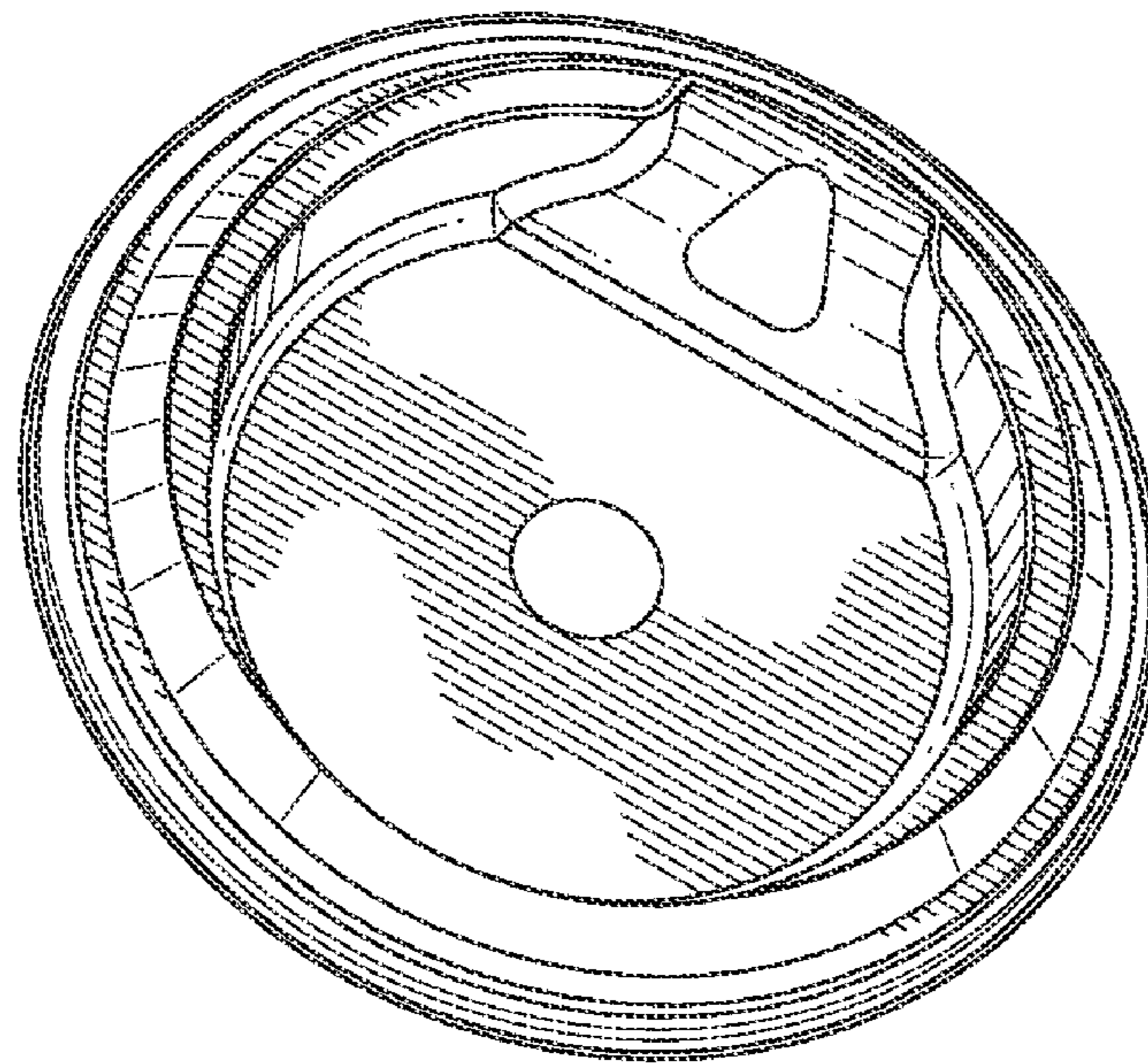


FIG. 8

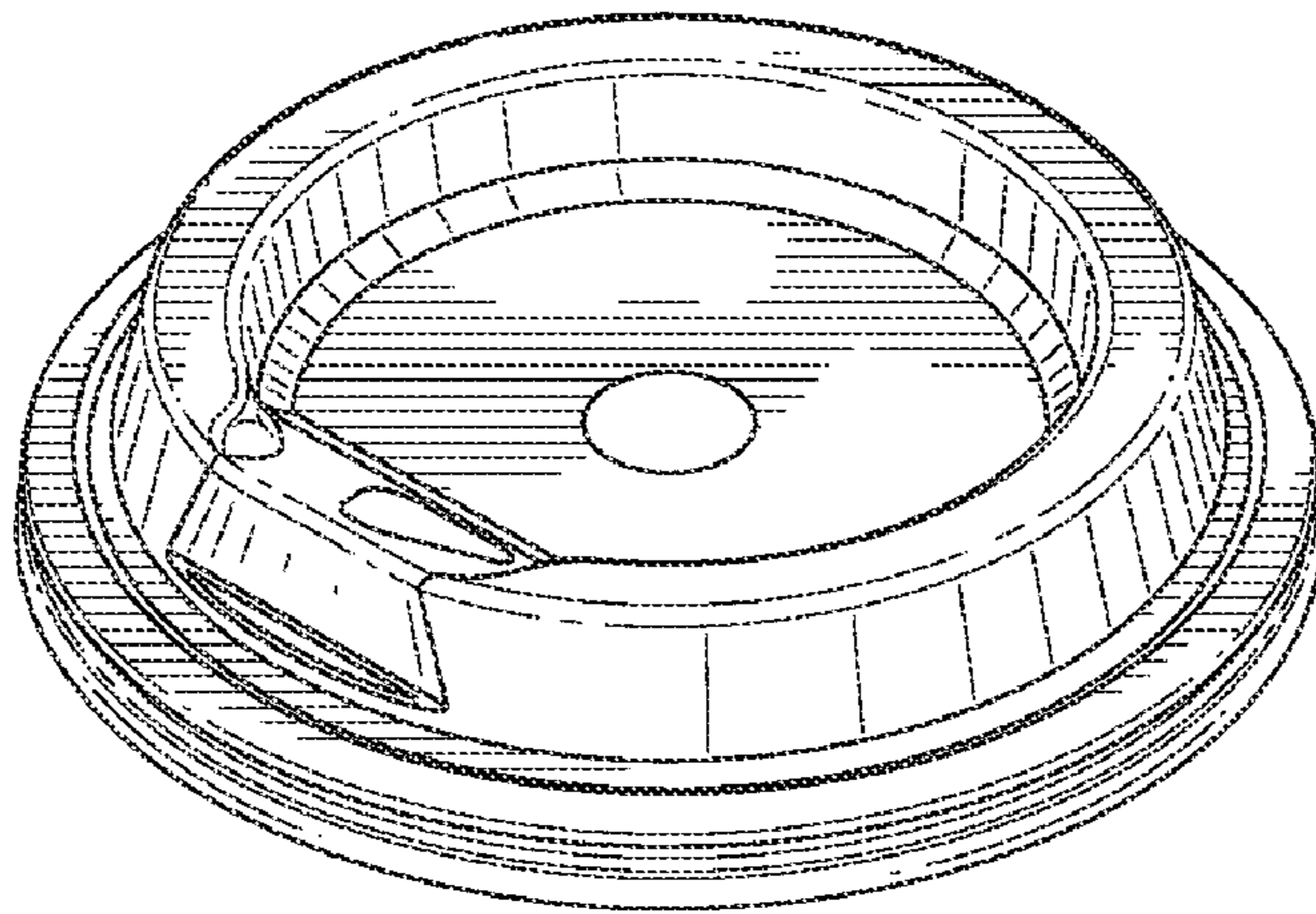


FIG. 9

UNITED STATES PATENT AND TRADEMARK OFFICE
CERTIFICATE OF CORRECTION

PATENT NO. : D658,059 S
APPLICATION NO. : 29/396206
DATED : April 24, 2012
INVENTOR(S) : Craig Bailey

Page 1 of 1

It is certified that error appears in the above-identified patent and that said Letters Patent is hereby corrected as shown below:

On the Title Page

Please update address for inventor, Craig Bailey, as follows:

Craig Bailey
P.O. Box 592267
San Antonio, Texas 78259

Please update address for Assignee as follows:

FoamAroma LLC
P.O. Box 592267
San Antonio, Texas 78259

Signed and Sealed this
First Day of March, 2022



Drew Hirshfeld
*Performing the Functions and Duties of the
Under Secretary of Commerce for Intellectual Property and
Director of the United States Patent and Trademark Office*