



US00D658058S

(12) **United States Design Patent**
Sanges

(10) **Patent No.:** **US D658,058 S**

(45) **Date of Patent:** **** Apr. 24, 2012**

(54) **COVER FOR SOAP BUBBLES**

D607,324 S * 1/2010 Cho et al. D9/453
D615,861 S * 5/2010 Watts et al. D9/447

(76) Inventor: **Bruno Sanges**, Le Kremlin Bicetre (FR)

* cited by examiner

(**) Term: **14 Years**

Primary Examiner — Susan Bennett Hattan

(21) Appl. No.: **29/380,295**

(74) *Attorney, Agent, or Firm* — Fredrikson & Byron, P.A.

(22) Filed: **Dec. 2, 2010**

(30) **Foreign Application Priority Data**

(57) **CLAIM**

Jun. 9, 2010 (EP) 001717141-0001

I claim the ornamental design for a cover for soap bubbles, as shown and described.

(51) **LOC (9) Cl.** **09-07**

(52) **U.S. Cl.** **D9/447; D9/436; D9/453**

(58) **Field of Classification Search** D9/453,
D9/452, 448, 447, 443, 440, 436, 435, 434;
D7/511, 510, 398, 397, 396.2; 220/915.1,
220/751, 733, 719, 715, 713, 711, 708, 703,
220/255; 215/388, 387, 229; 222/570, 569,
222/571, 108; D21/402

DESCRIPTION

See application file for complete search history.

FIG. 1 is a perspective view of the cover for soap bubbles of my new design, in a closed position;
FIG. 2 is a front view thereof;
FIG. 3 is a left side view thereof;
FIG. 4 is a right side view thereof,
FIG. 5 is a rear view thereof;
FIG. 6 is a top view thereof;
FIG. 7 is a bottom view thereof; and,
FIG. 8 is a perspective view thereof, in an open position.

(56) **References Cited**

U.S. PATENT DOCUMENTS

D138,004 S * 5/1944 Sharp D9/447
D533,781 S * 12/2006 Freisem et al. D9/453

1 Claim, 2 Drawing Sheets

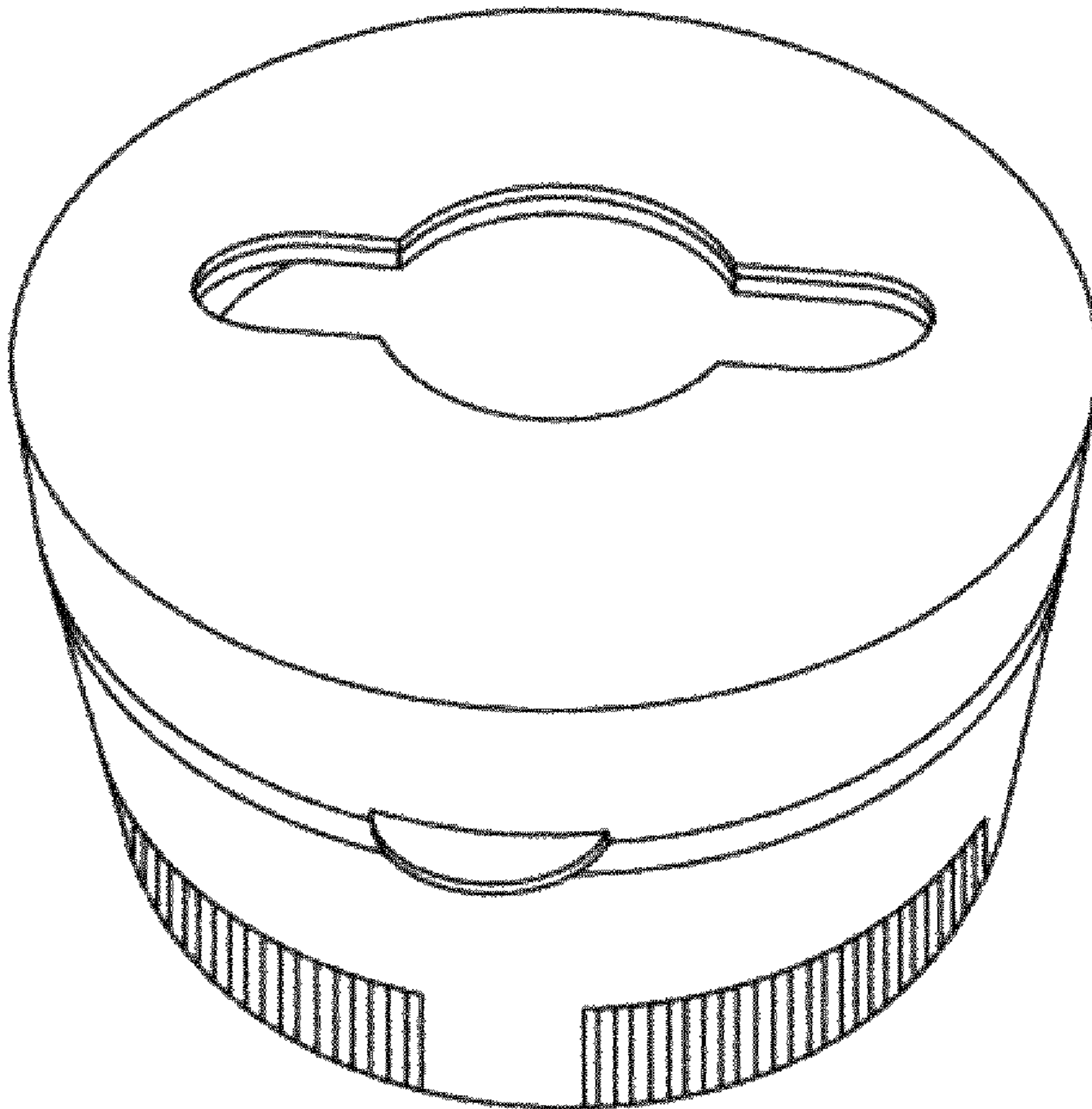


Fig. 1

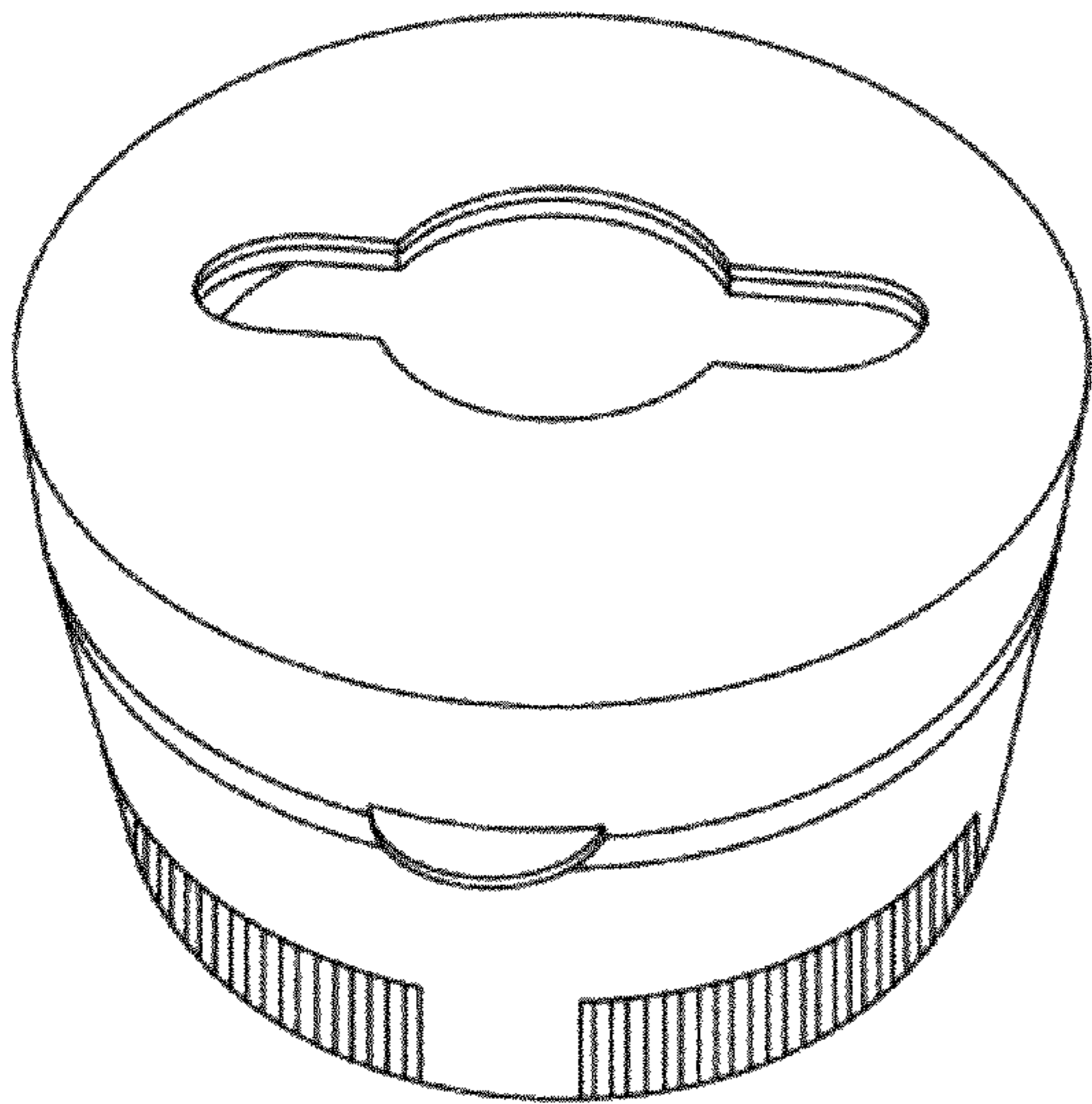


Fig. 2

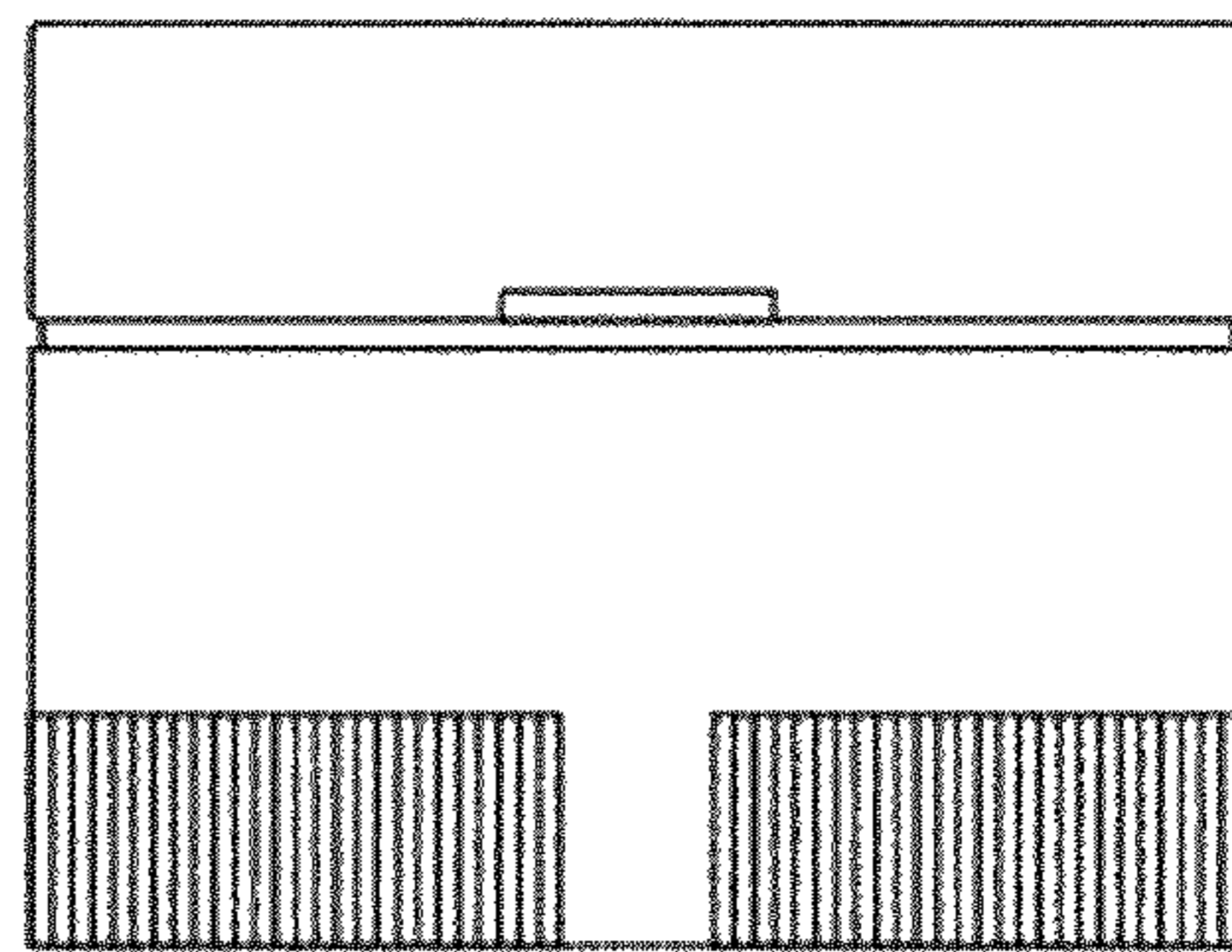


Fig. 3

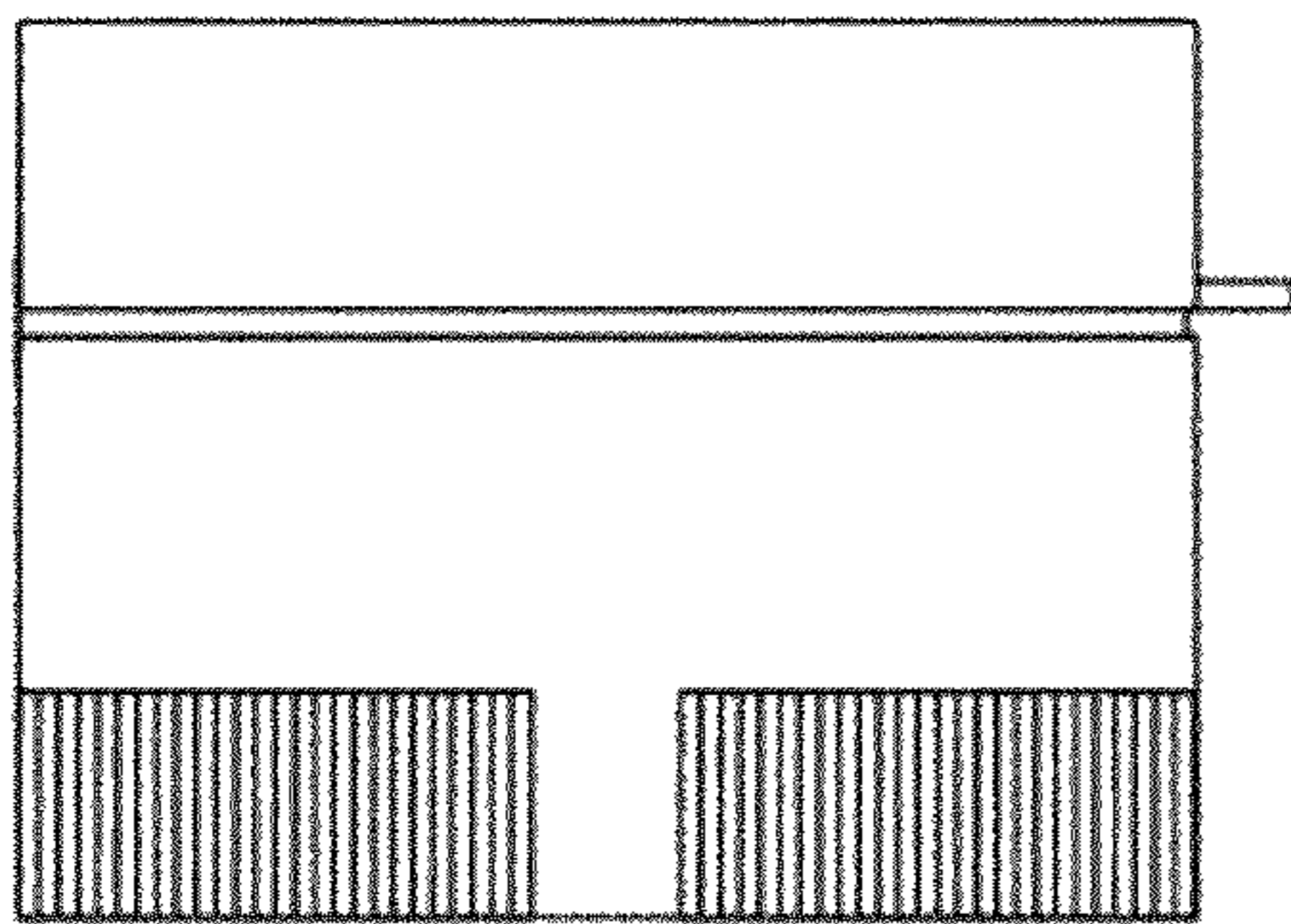


Fig. 4

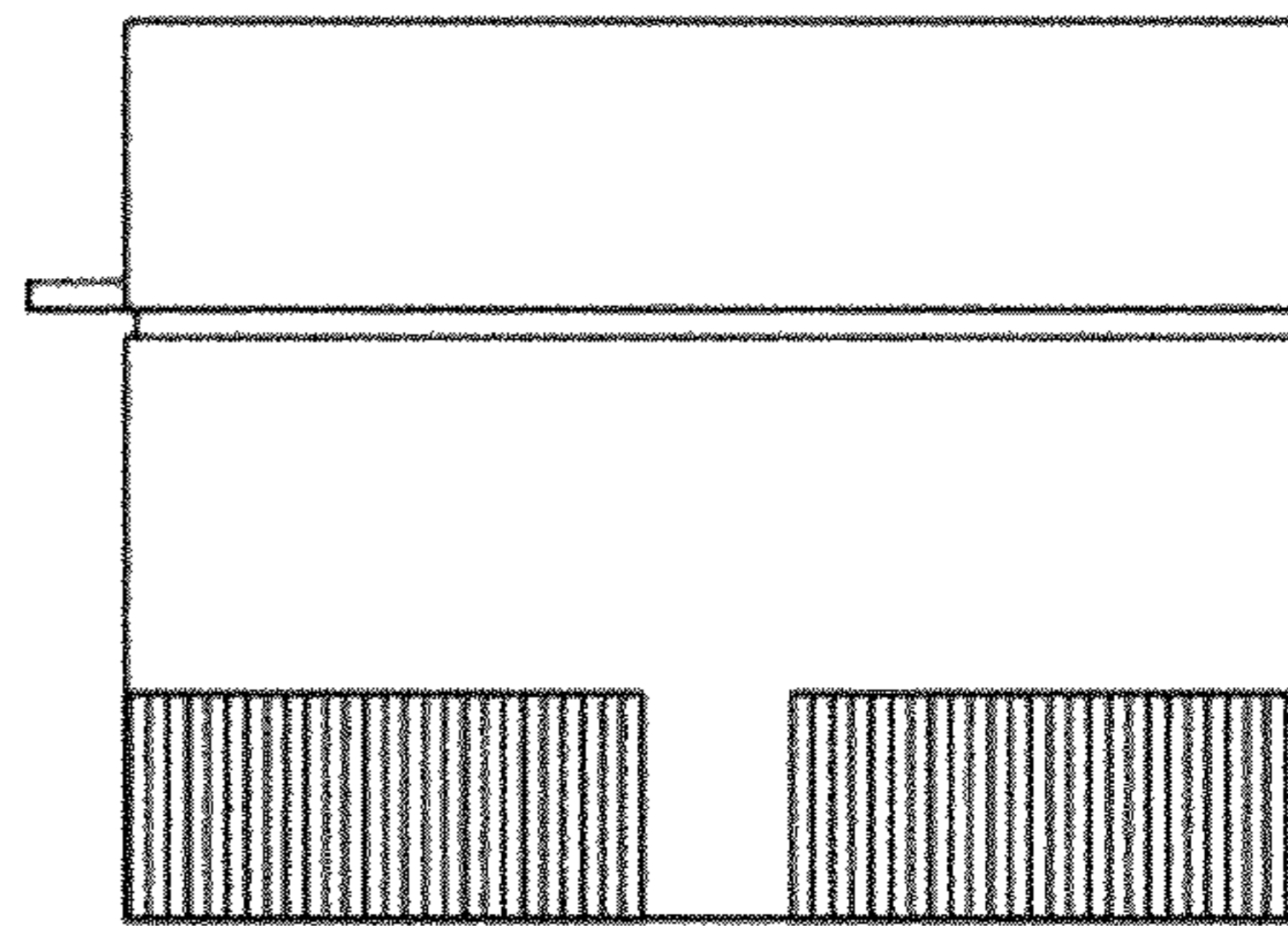


Fig. 5

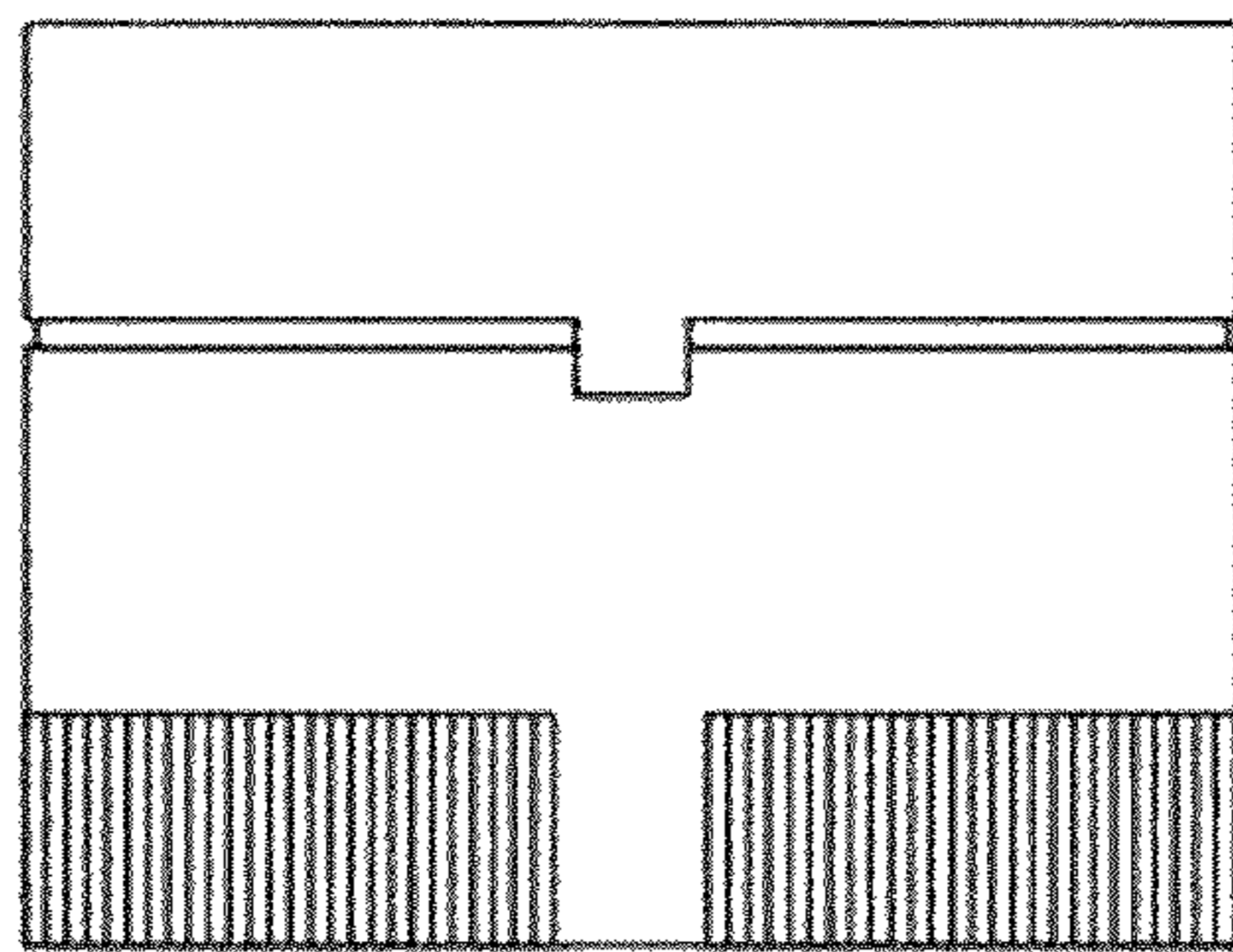


Fig. 6

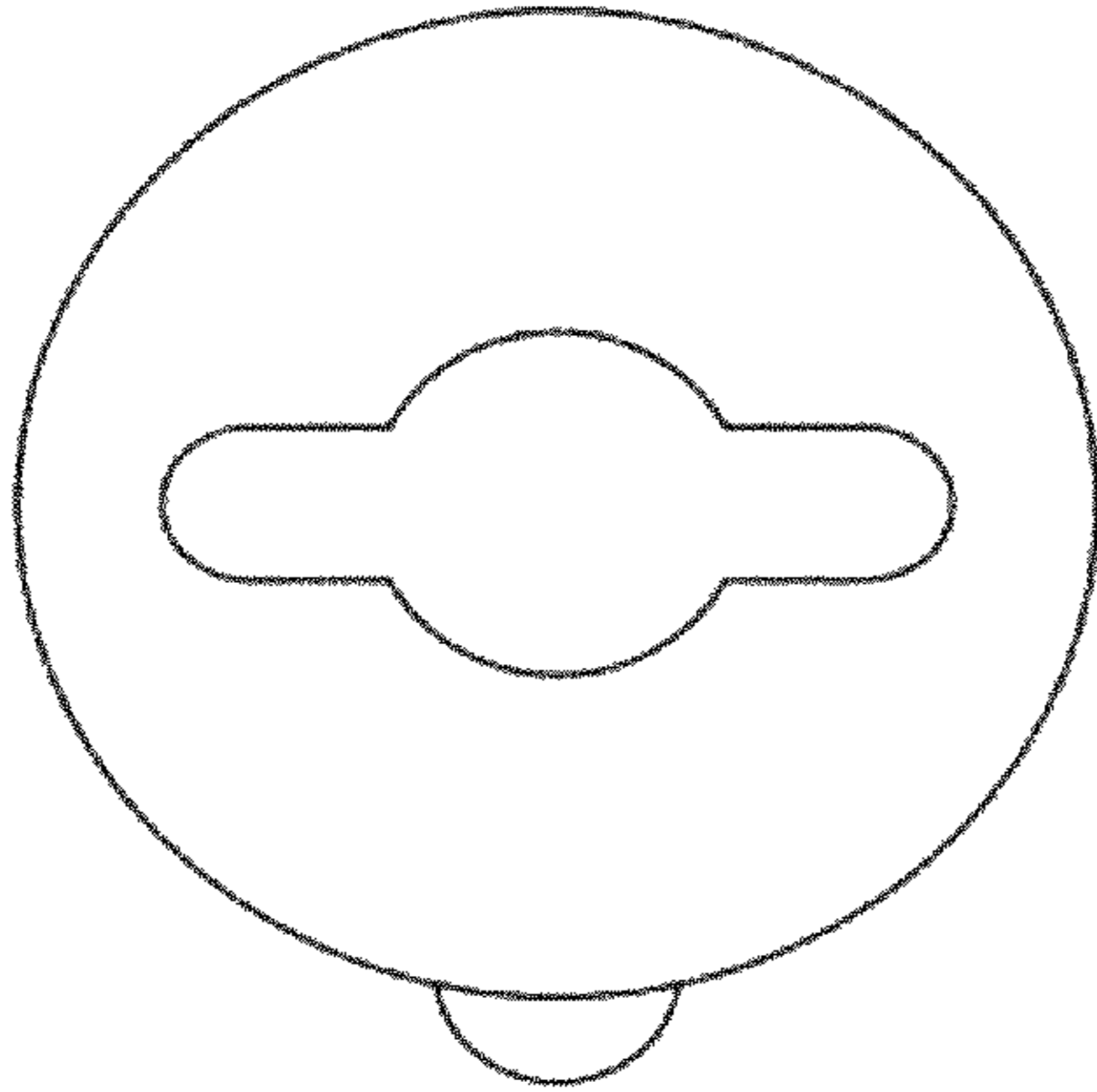


Fig. 7

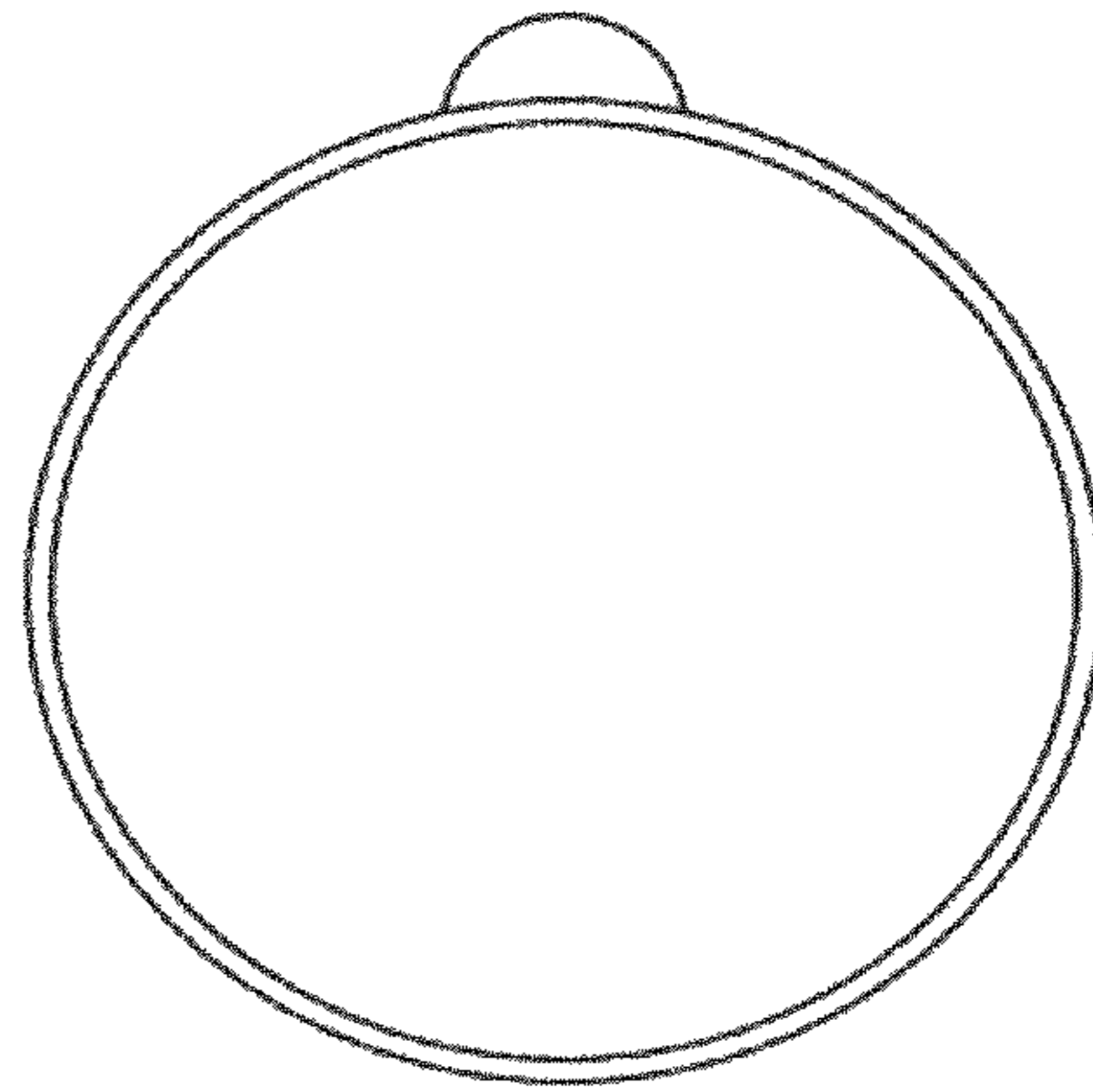


Fig. 8

