



US00D658057S

(12) **United States Design Patent**  
**Donat**

(10) **Patent No.:** **US D658,057 S**

(45) **Date of Patent:** **\*\* Apr. 24, 2012**

(54) **LID FOR BEVERAGE CUP**

(56) **References Cited**

(75) Inventor: **Donna Donat**, Garnett Valley, PA (US)

U.S. PATENT DOCUMENTS

(73) Assignee: **New View Gifts & Accessories, Ltd.**,  
Media, PA (US)

D417,845 S *	12/1999	Sadlier et al. ....	D9/447
D543,777 S *	6/2007	Seum et al. ....	D7/392.1
D591,151 S *	4/2009	Freeman ....	D9/447
D591,595 S *	5/2009	Tedford, Jr. ....	D9/447
D629,298 S *	12/2010	Wong ....	D9/447

(\*\*) Term: **14 Years**

\* cited by examiner

(21) Appl. No.: **29/375,828**

*Primary Examiner* — Susan Bennett Hattan

(22) Filed: **Sep. 28, 2010**

(74) *Attorney, Agent, or Firm* — Fox Rothschild LLP

(51) **LOC (9) Cl.** ..... **09-07**

(57) **CLAIM**

The ornamental design for a lid for beverage cup, as shown.

(52) **U.S. Cl.** ..... **D9/447; D9/454**

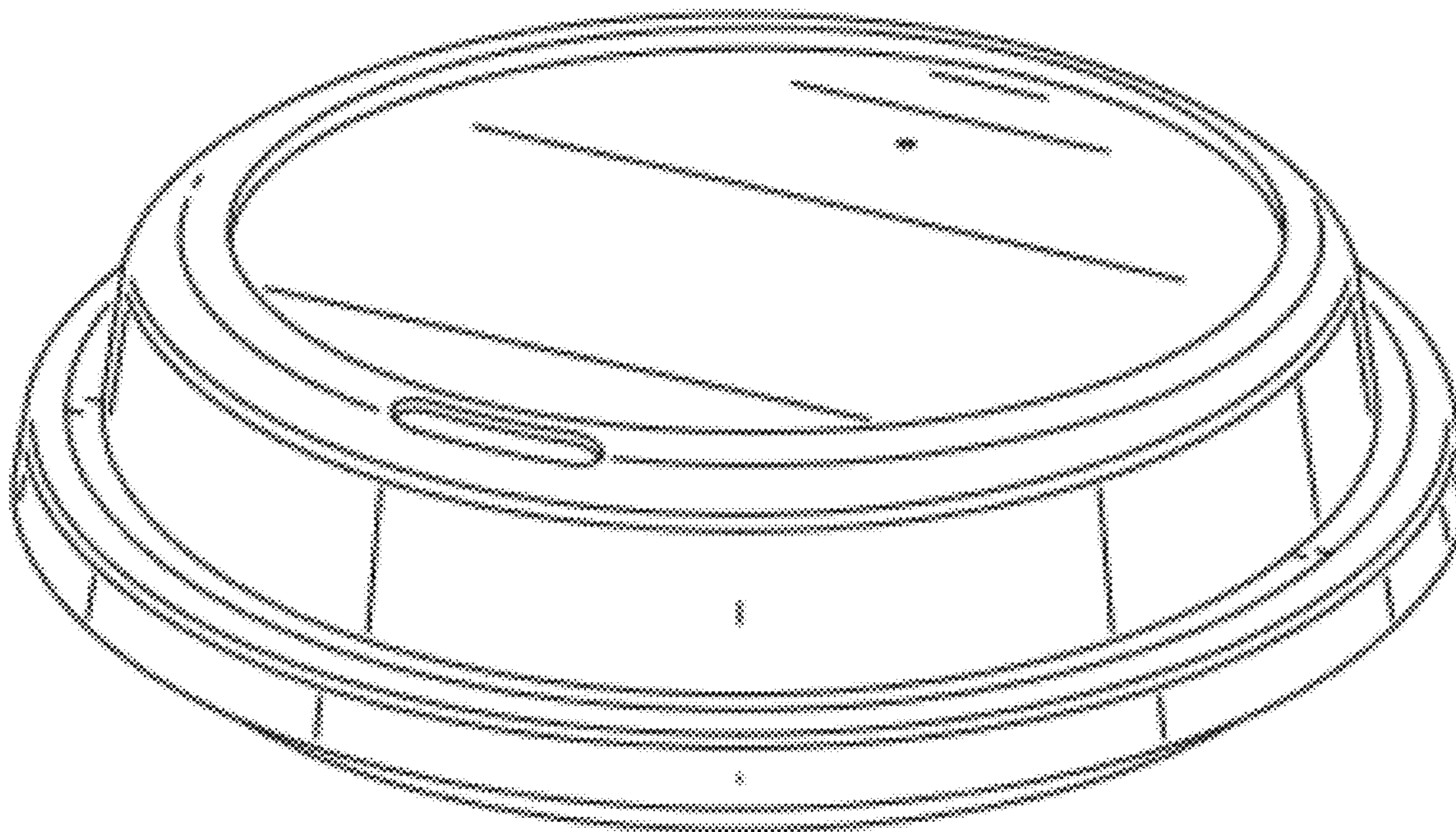
**DESCRIPTION**

(58) **Field of Classification Search** ..... D9/772,  
D9/454, 450, 449, 447, 438, 436, 435, 434;  
D7/396.2, 392.1; 220/713, 711, 703, 377,  
220/273, 270, 256.1, 254.1

FIG. 1 is a perspective view showing my new design;  
FIG. 2 is a front view thereof;  
FIG. 3 is a rear view thereof;  
FIG. 4 a right side view thereof;  
FIG. 5 is a left side view thereof;  
FIG. 6 is a top view thereof; and,  
FIG. 7 is a top view thereof.

See application file for complete search history.

**1 Claim, 4 Drawing Sheets**



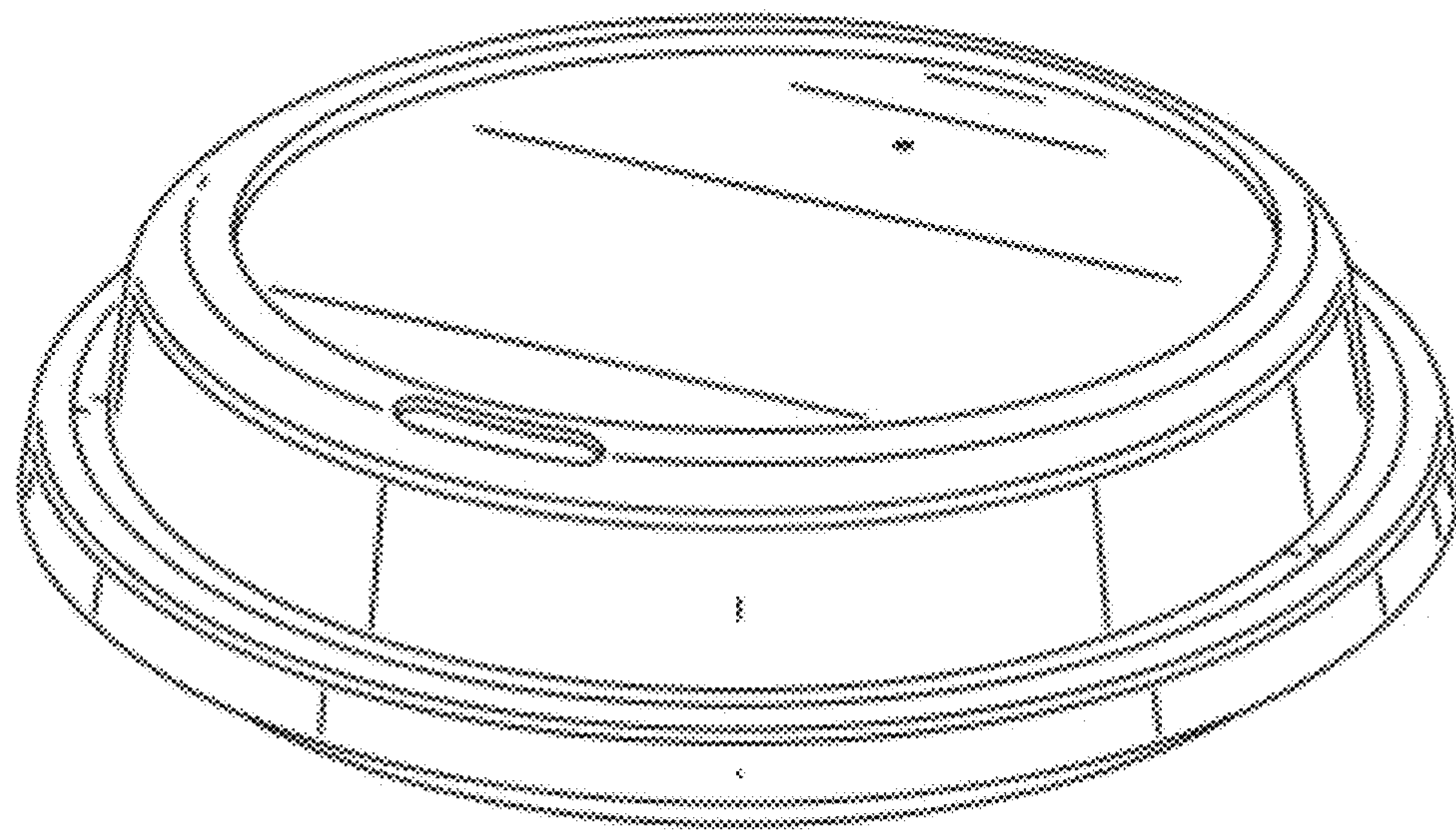


FIG. 1

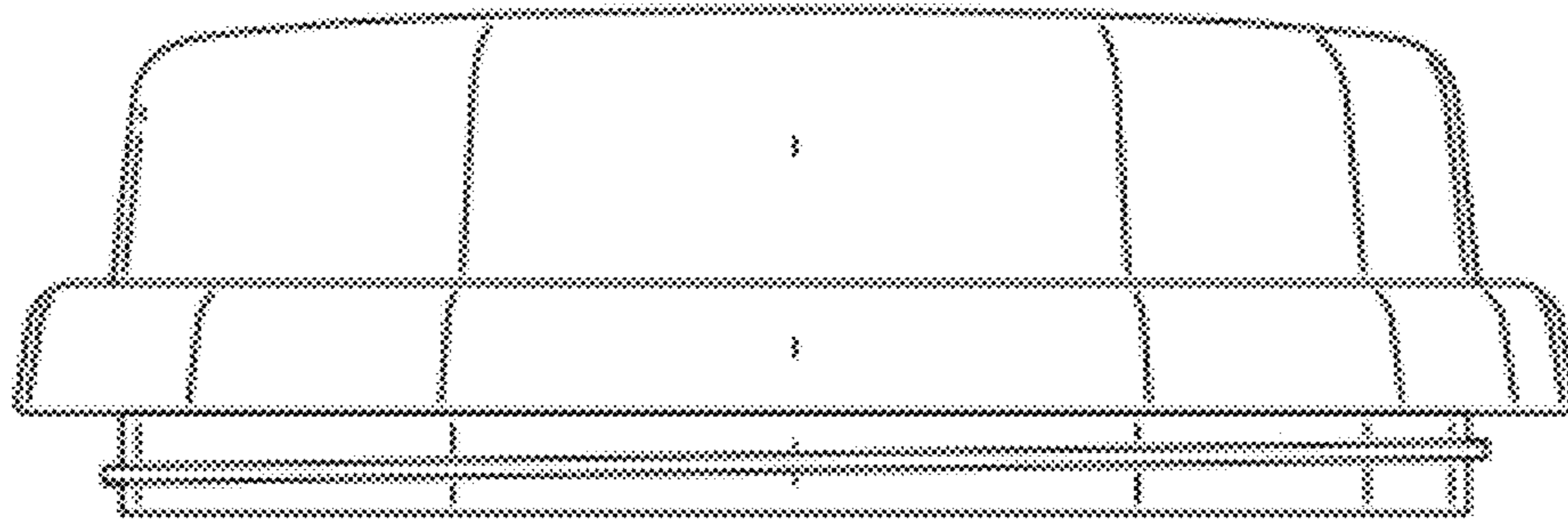


FIG. 2

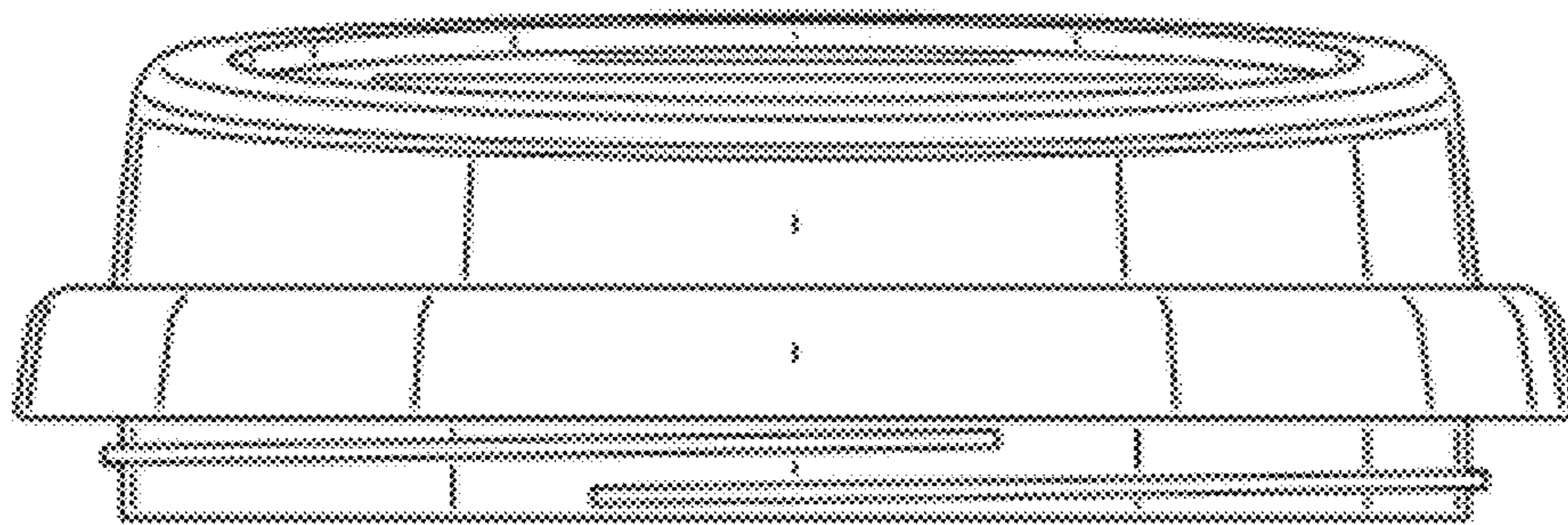


FIG. 3

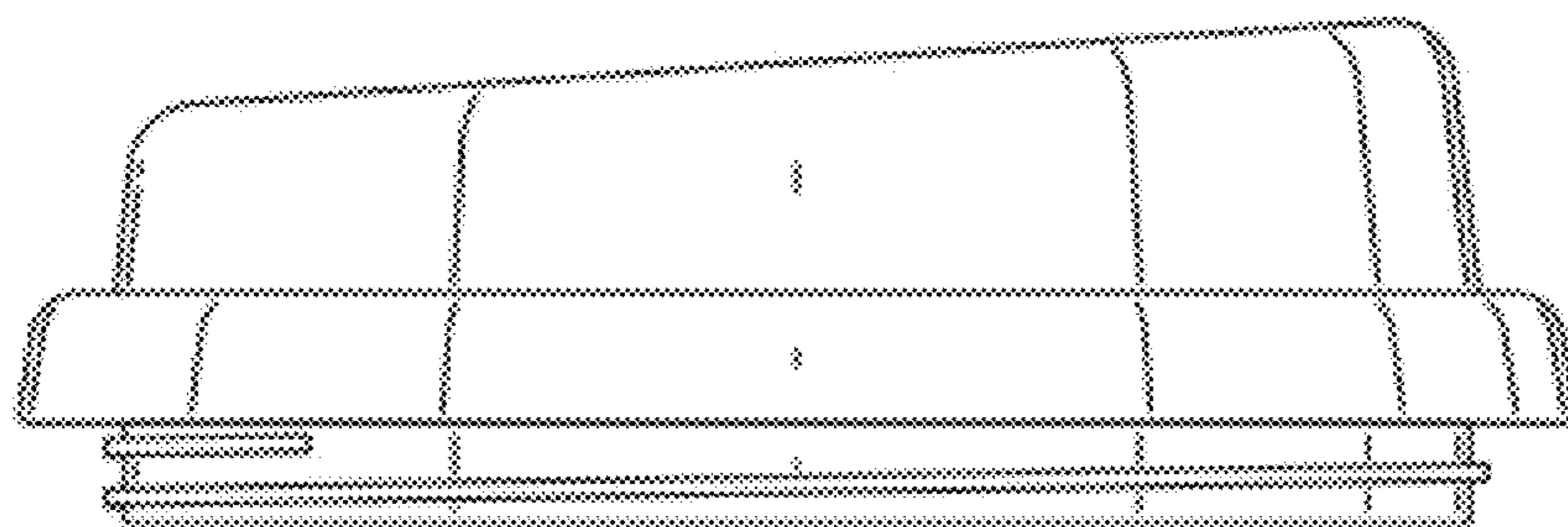


FIG. 4

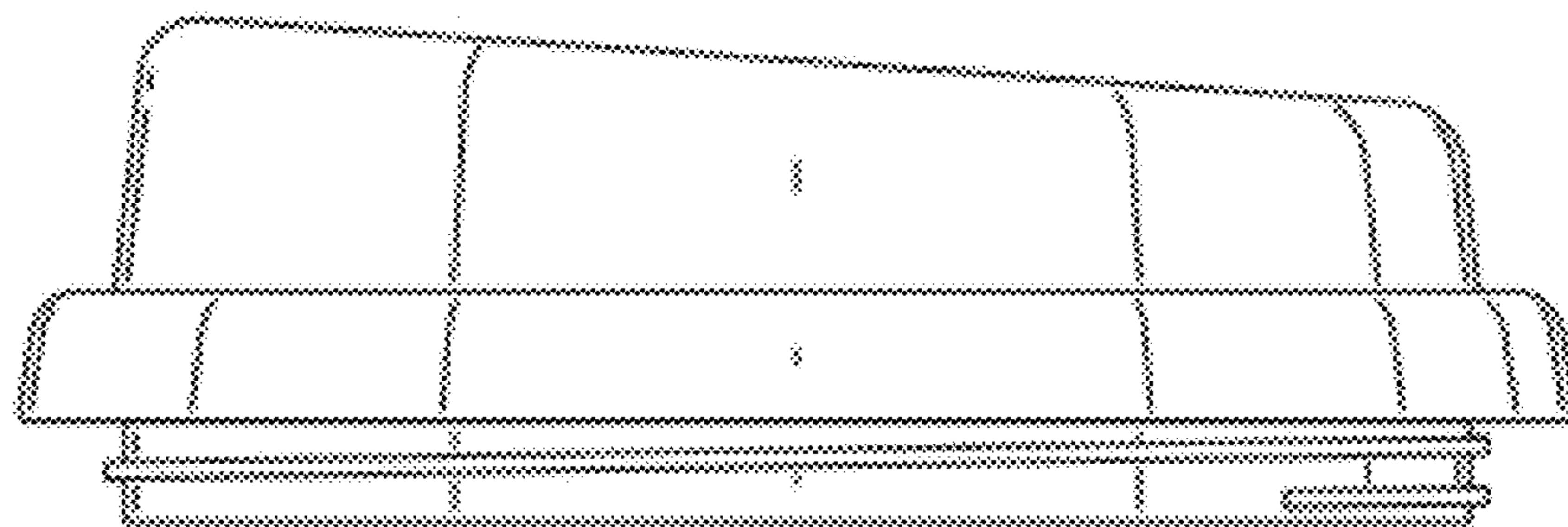


FIG. 5

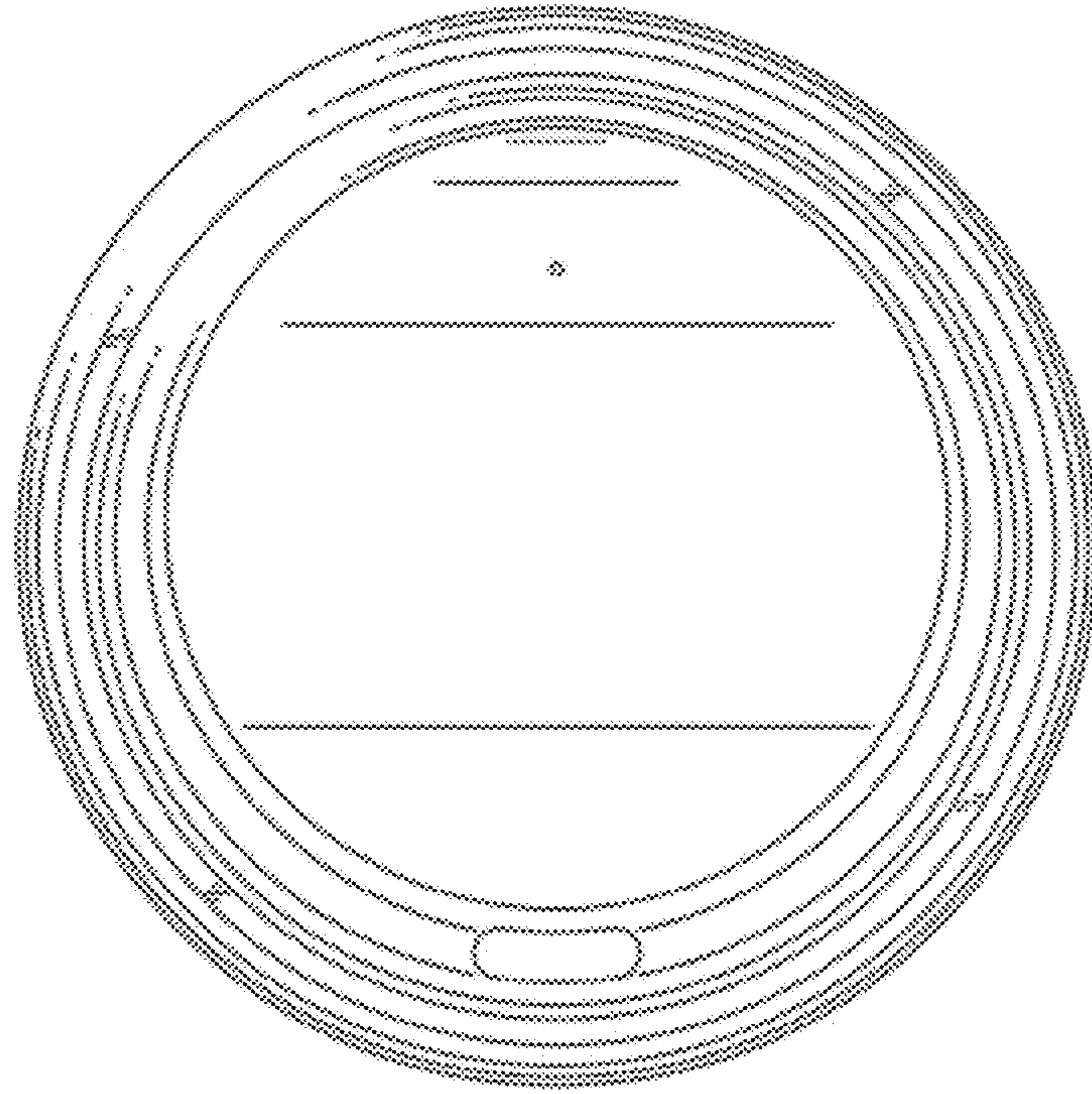


FIG. 6

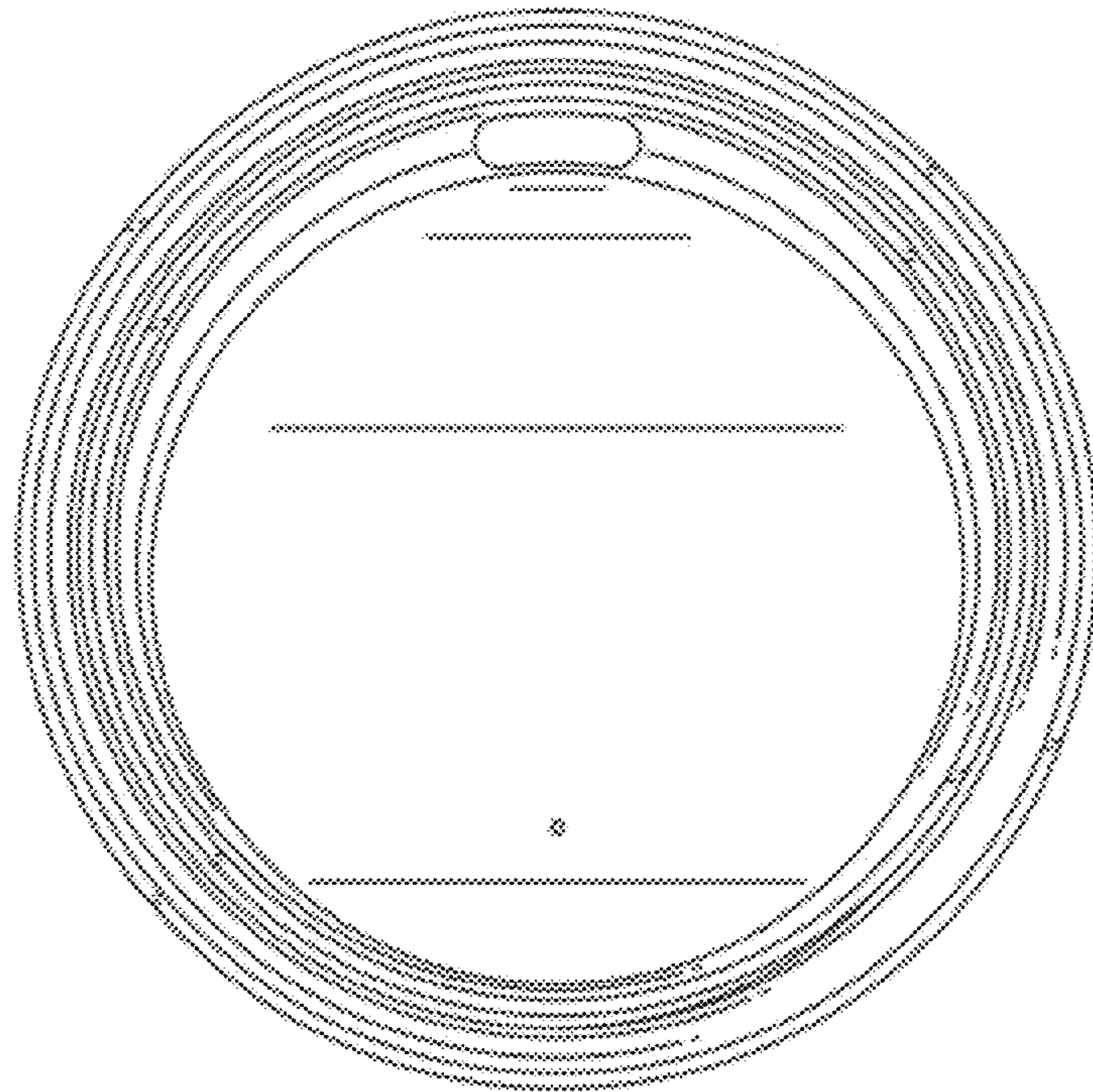


FIG. 7