



US00D658054S

(12) **United States Design Patent**
Velez, Jr. et al.

(10) **Patent No.:** **US D658,054 S**
(45) **Date of Patent:** **** Apr. 24, 2012**

(54) **FEMALE CONNECTOR RAIL FOR A
DRAWER CORNER**

(75) Inventors: **Gustavo Velez, Jr.**, San Leandro, CA
(US); **Bernardino Rabutan**, Mandaue
(PH); **James Chen Ming Jun**,
Guangdong (CN)

(73) Assignee: **Whalen Furniture Manufacturing Inc.**,
San Diego, CA (US)

(**) Term: **14 Years**

(21) Appl. No.: **29/402,518**

(22) Filed: **Sep. 23, 2011**

(51) **LOC (9) Cl.** **08-09**

(52) **U.S. Cl.** **D8/400**

(58) **Field of Classification Search** D8/400-499;
D9/456; D34/19; D6/491, 439, 445; D3/318-319,
D3/294-298, 321, 323, 905; 52/287.1; 312/215,
312/271, 289, 290, 301, 328, 330.1, 332,
312/334.1, 348.4, 400, 334.7, 350, 351, 332.1,
312/334.44; 40/666, 661.03

See application file for complete search history.

(56) **References Cited**

U.S. PATENT DOCUMENTS

D492,580	S	*	7/2004	Tyburk	D8/373
6,871,921	B2	*	3/2005	Ernst	312/348.3
D568,723	S	*	5/2008	Morgan	D8/356
D601,774	S	*	10/2009	Segura	D34/35
2008/0279490	A1	*	11/2008	Holcomb	384/42
2009/0136715	A1	*	5/2009	Chen et al.	428/156

* cited by examiner

Primary Examiner — Barbara Fox

(74) *Attorney, Agent, or Firm* — Barlow, Josephs & Holmes,
Ltd.

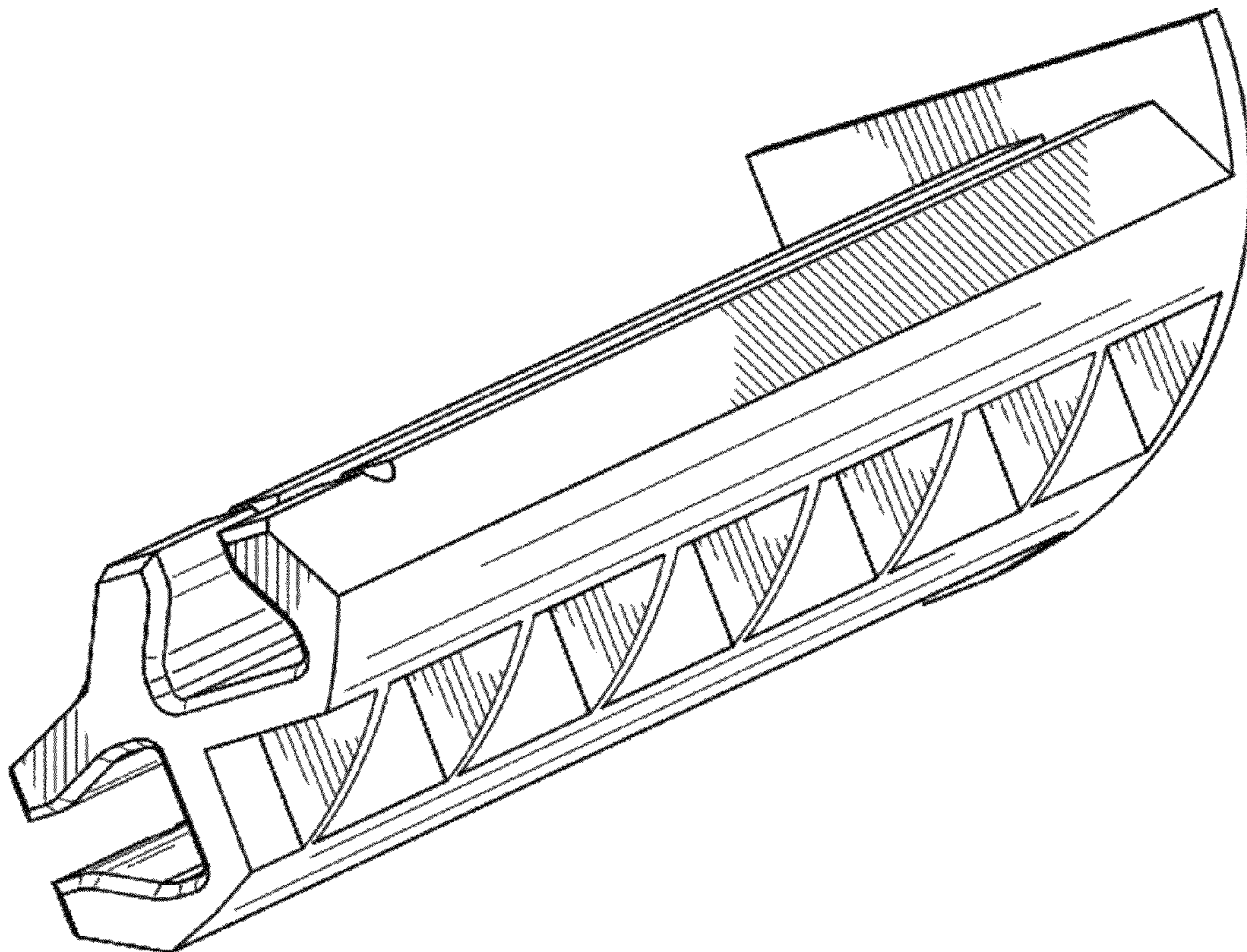
(57) **CLAIM**

The ornamental design for female connector rail for drawer corner, as shown and described.

DESCRIPTION

FIG. 1 is a perspective view of the female connector rail for drawer corner in accordance with the present invention; FIG. 2 is a front view thereof; FIG. 3 is a right side view thereof; FIG. 4 is a back view thereof; FIG. 5 is a top view thereof; FIG. 6 is a left side view thereof; and, FIG. 7 is a bottom view thereof.

1 Claim, 7 Drawing Sheets



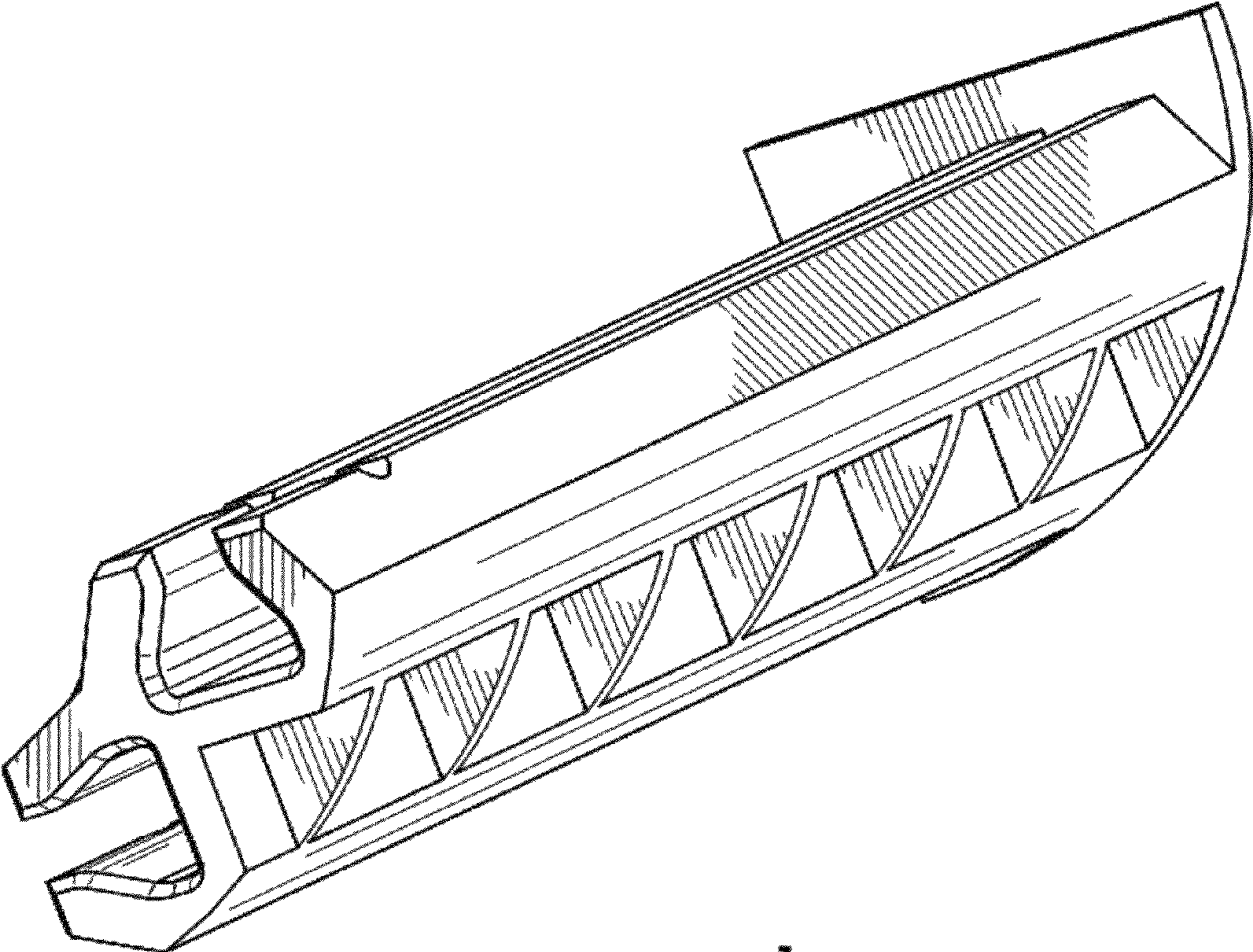


FIG. 1

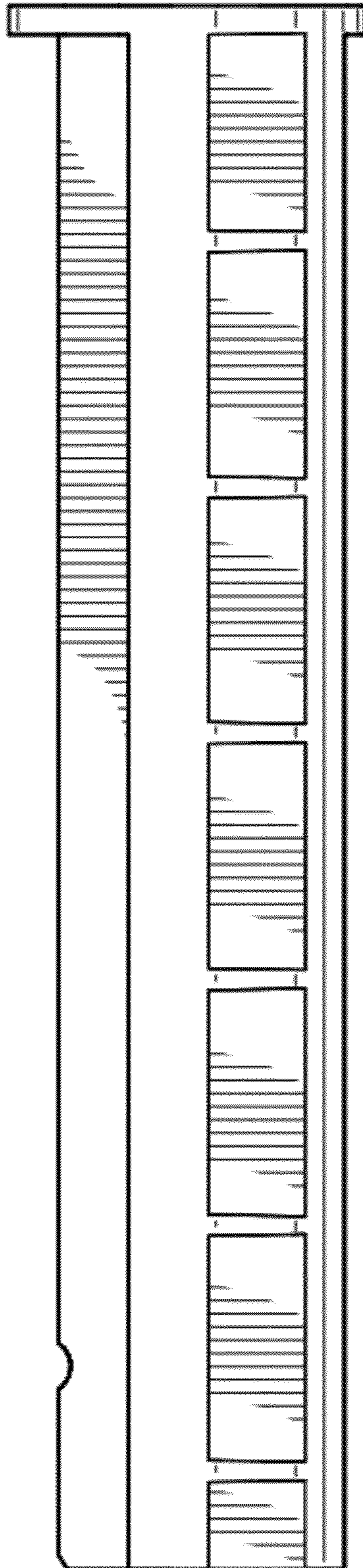


FIG. 2

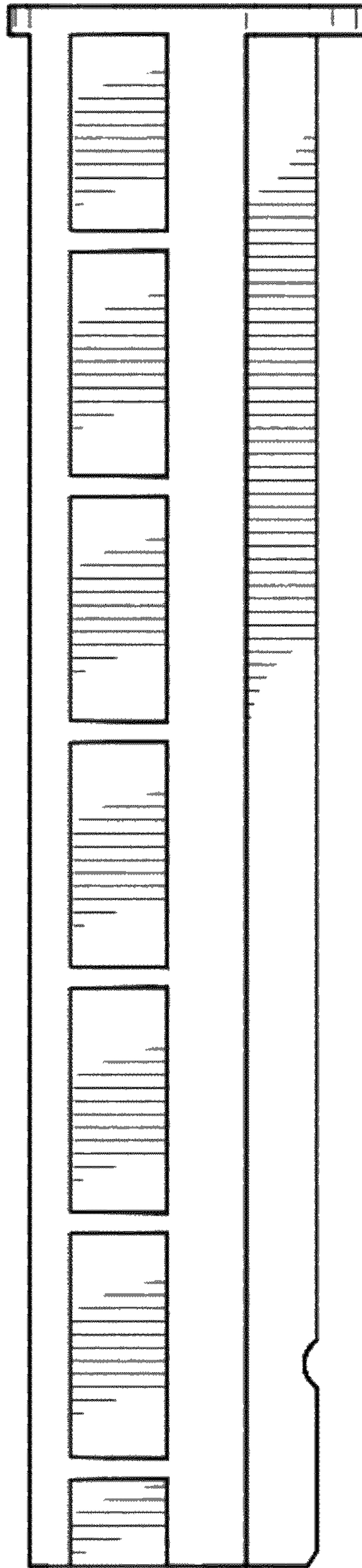


FIG. 3

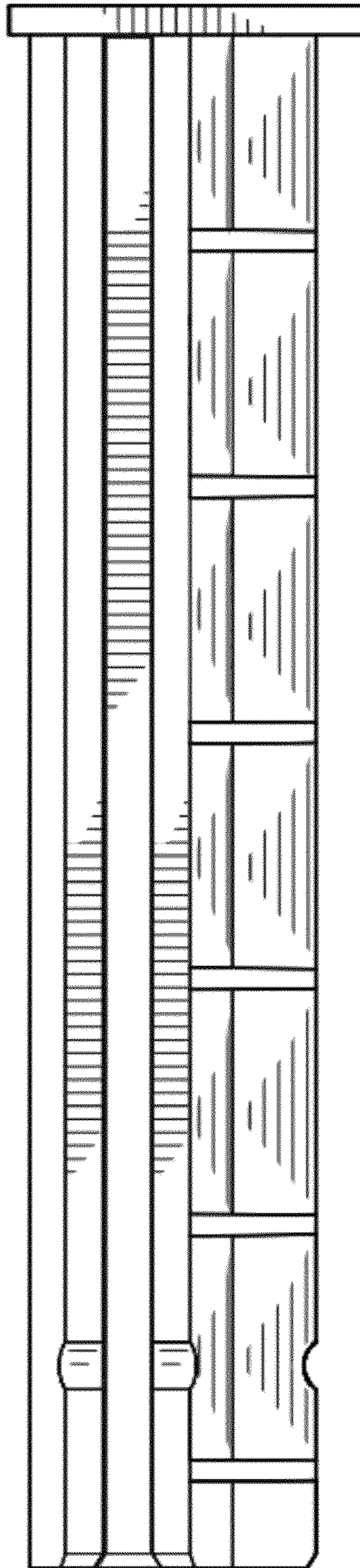


FIG. 4

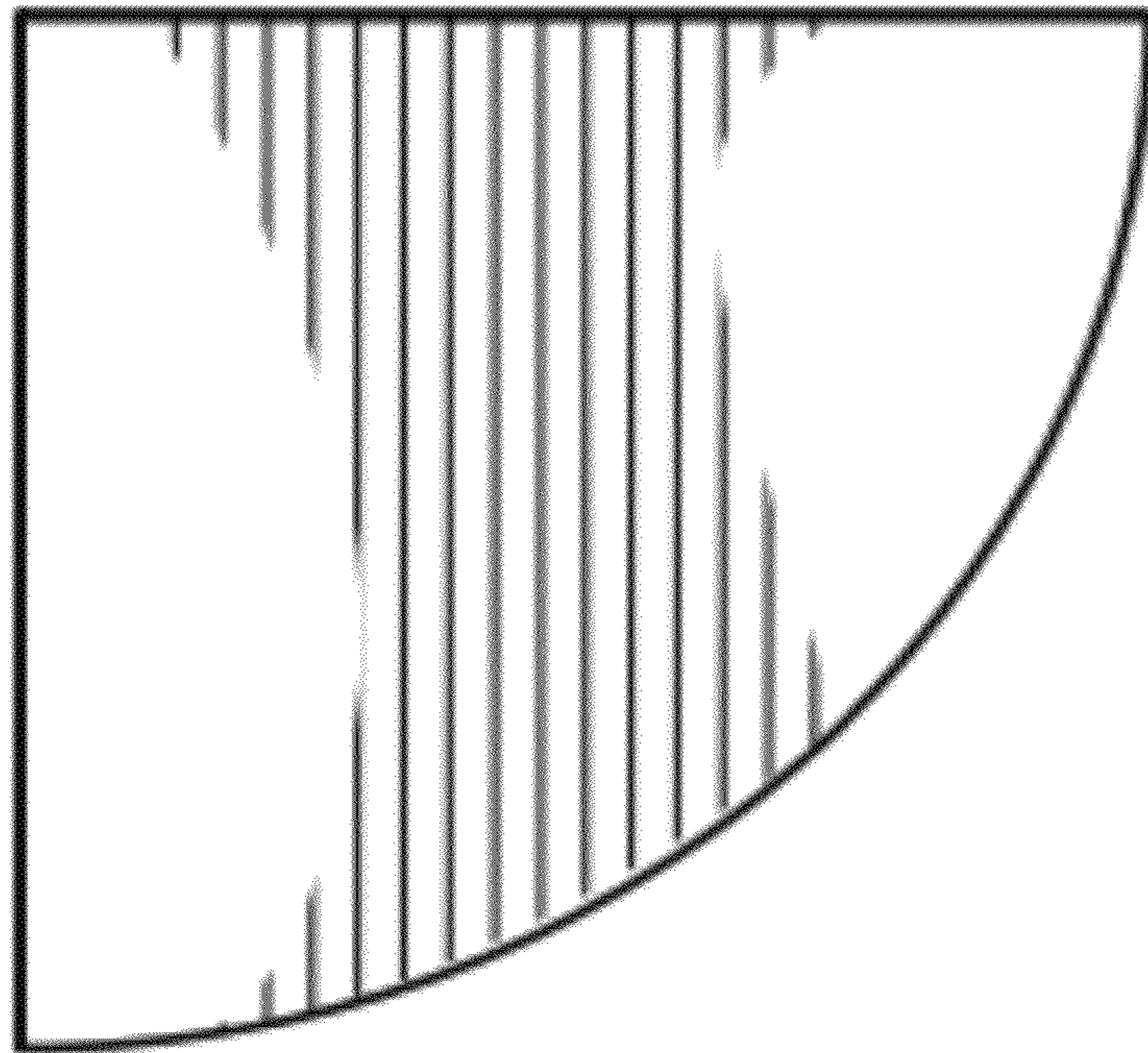


FIG. 5

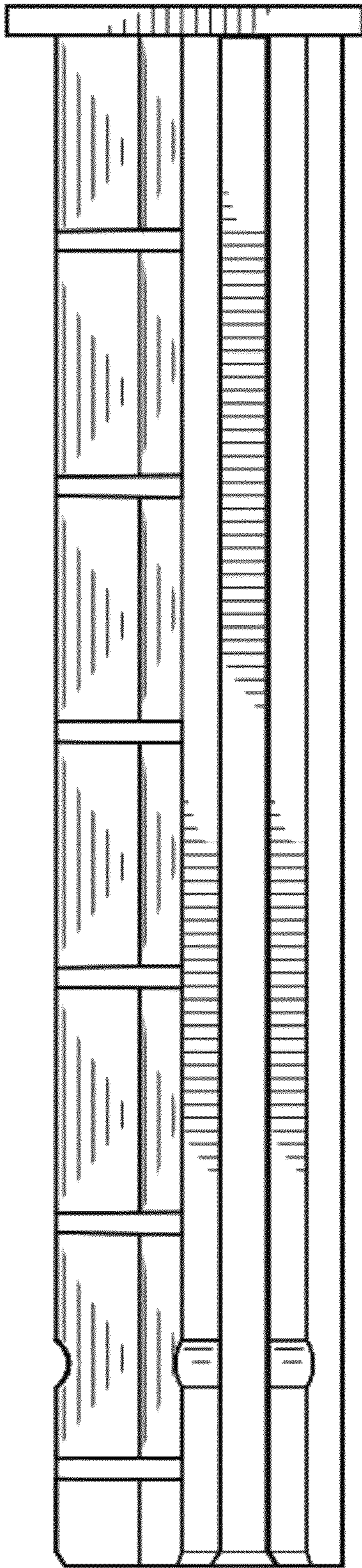


FIG. 6

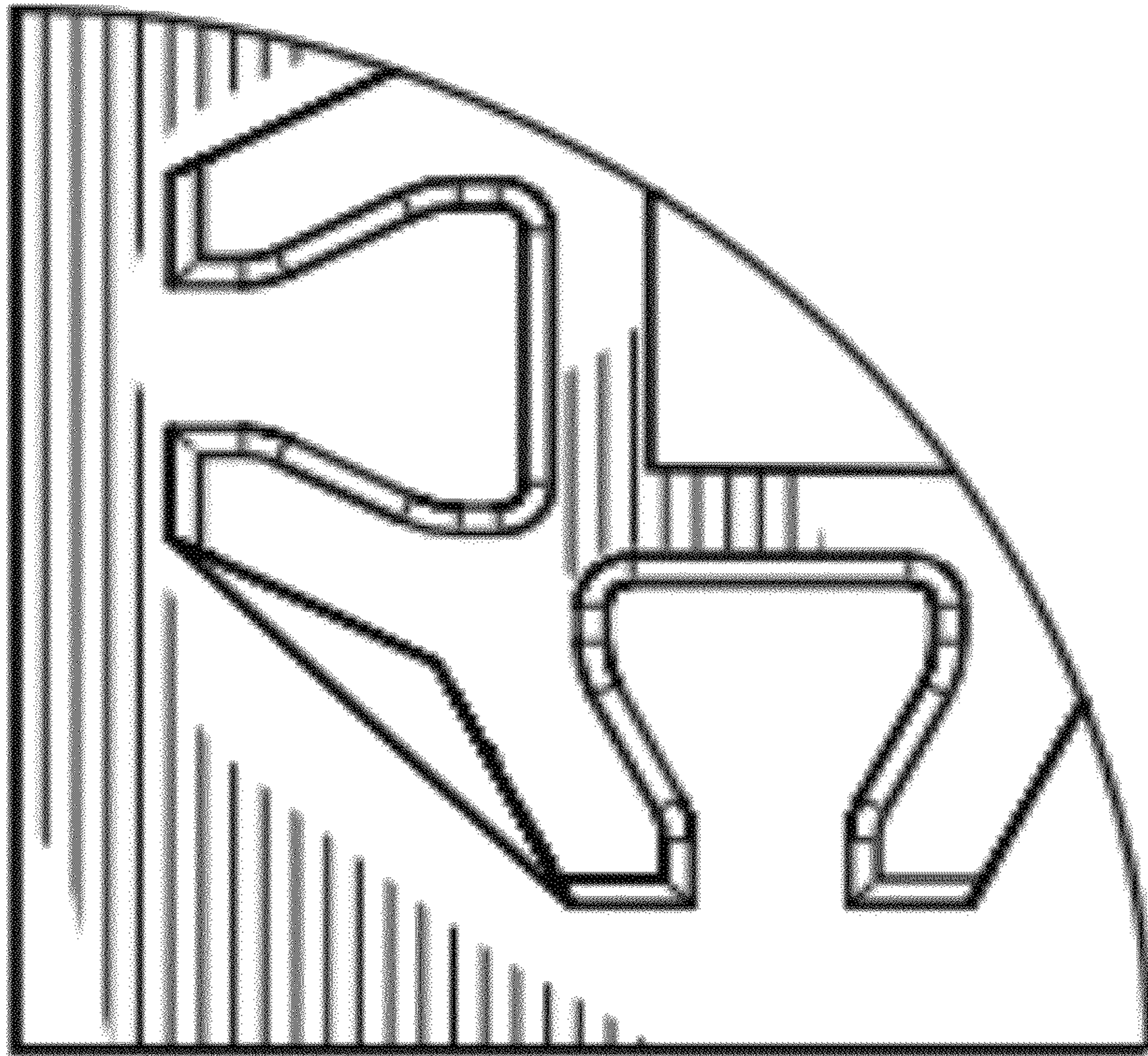


FIG. 7