



US00D658046S

(12) **United States Design Patent**
Austin, III

(10) **Patent No.:** **US D658,046 S**

(45) **Date of Patent:** **** Apr. 24, 2012**

(54) **ANCHOR TIE-DOWN**

(75) **Inventor:** **James Allen Austin, III**, High Point, NC
(US)

(73) **Assignee:** **Liberty Hardware Mfg. Corp.**,
Winston-Salem, NC (US)

(**) **Term:** **14 Years**

(21) **Appl. No.:** **29/384,756**

(22) **Filed:** **Feb. 3, 2011**

(51) **LOC (9) Cl.** **08-08**

(52) **U.S. Cl.** **D8/385**

(58) **Field of Classification Search** D8/387,
D8/385, 354, 393, 356; 411/174, 188, 411,
411/352-353, 378, 418; 410/101, 110
See application file for complete search history.

(56) **References Cited**

U.S. PATENT DOCUMENTS

D190,391	S	*	5/1961	Cordova	D8/382
D198,397	S	*	6/1964	Dickman	D8/385
3,381,925	A	*	5/1968	Higuchi	410/116
3,643,973	A	*	2/1972	Bott	410/101
D300,721	S	*	4/1989	Whitley, II	D8/356
D398,363	S	*	9/1998	LoBue	D21/840
5,840,078	A	*	11/1998	Yerys	606/151
D406,523	S	*	3/1999	Manthei	D8/354

D492,586	S	*	7/2004	Rimer, Jr.	D8/393
7,309,198	B1	*	12/2007	Brown	410/101
D603,251	S	*	11/2009	King	D8/387
D605,500	S	*	12/2009	Lee et al.	D8/387

* cited by examiner

Primary Examiner — Sheryl Lane

(74) *Attorney, Agent, or Firm* — Lora J. Graentzdoerffer;
Nirav D. Parikh; Edgar A. Zarins

(57) **CLAIM**

The ornamental design for an anchor tie-down, as shown and described.

DESCRIPTION

FIG. 1 is a perspective view of an anchor tie-down showing my new design;

FIG. 2 is a top plan view thereof;

FIG. 3 is a front elevational view thereof;

FIG. 4 is a left side elevational view thereof; the right side elevational view being a mirror image thereof; and,

FIG. 5 is a bottom plan view thereof.

FIGS. 3 and 4 are enlarged partial views for ease of illustration.

The broken lines of the anchor are included for the purpose of illustrating portions of the article and forms no part of the claimed design.

1 Claim, 1 Drawing Sheet

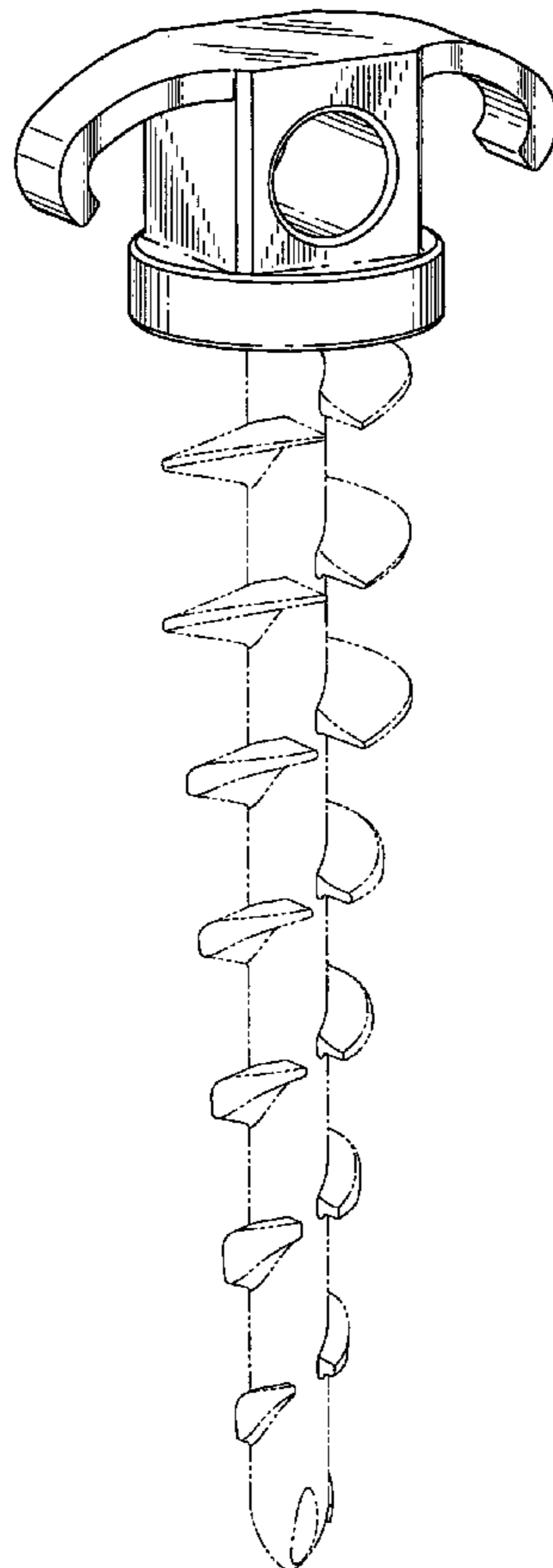


Fig-1

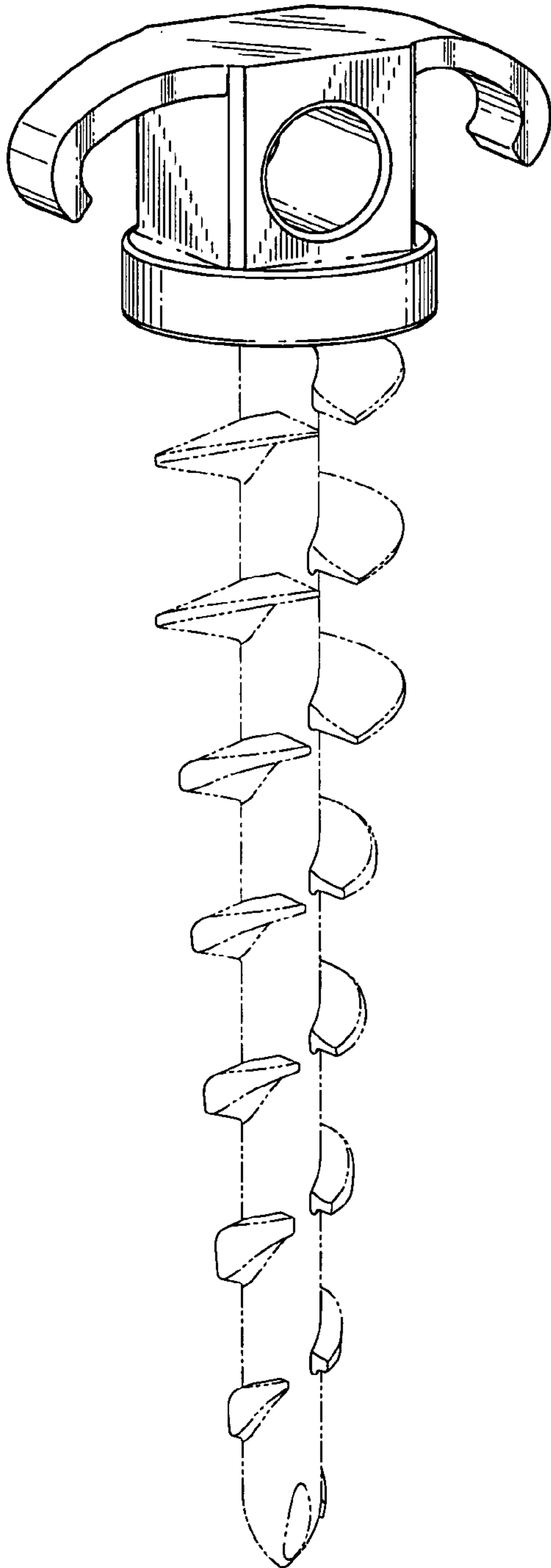


Fig-2

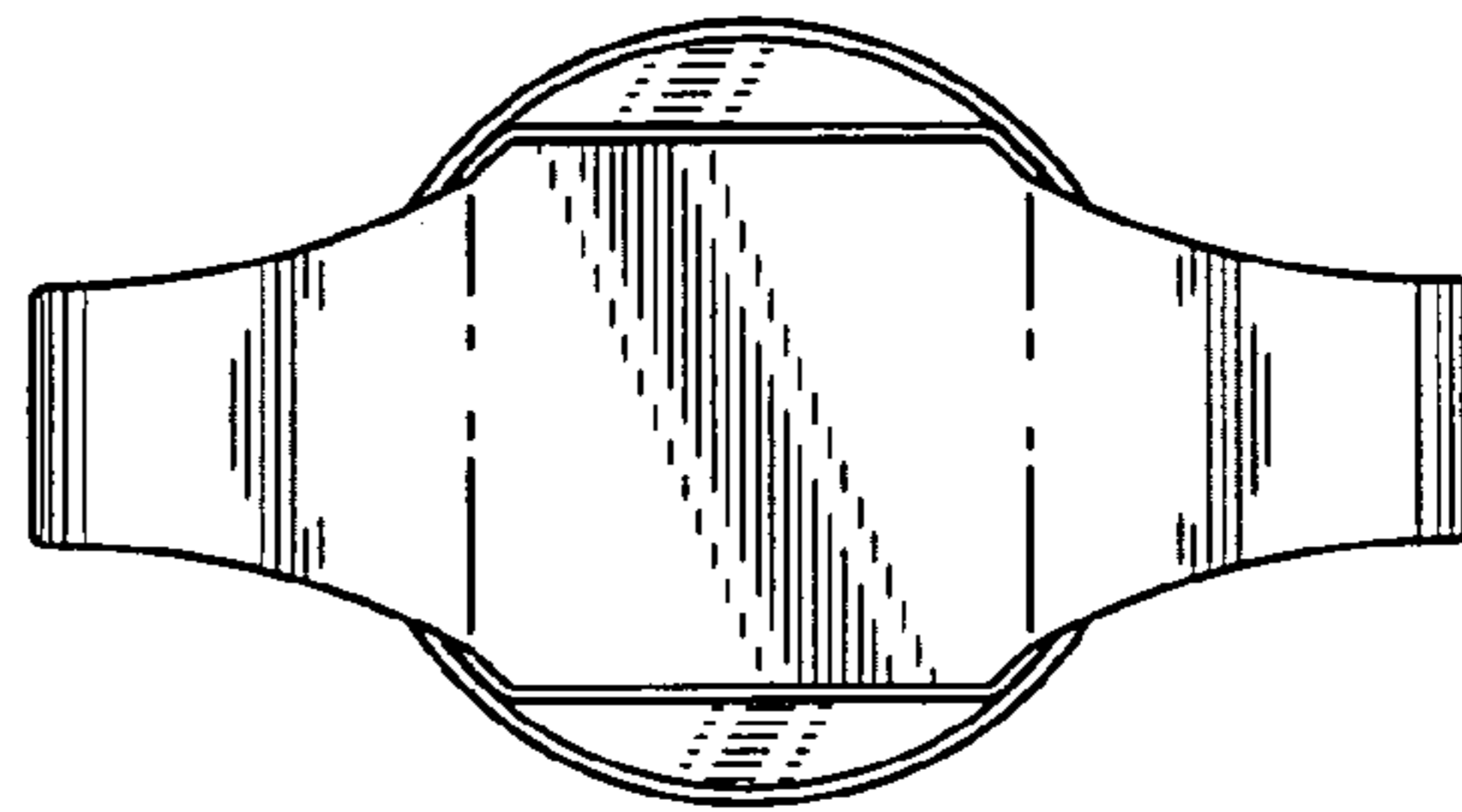


Fig-3

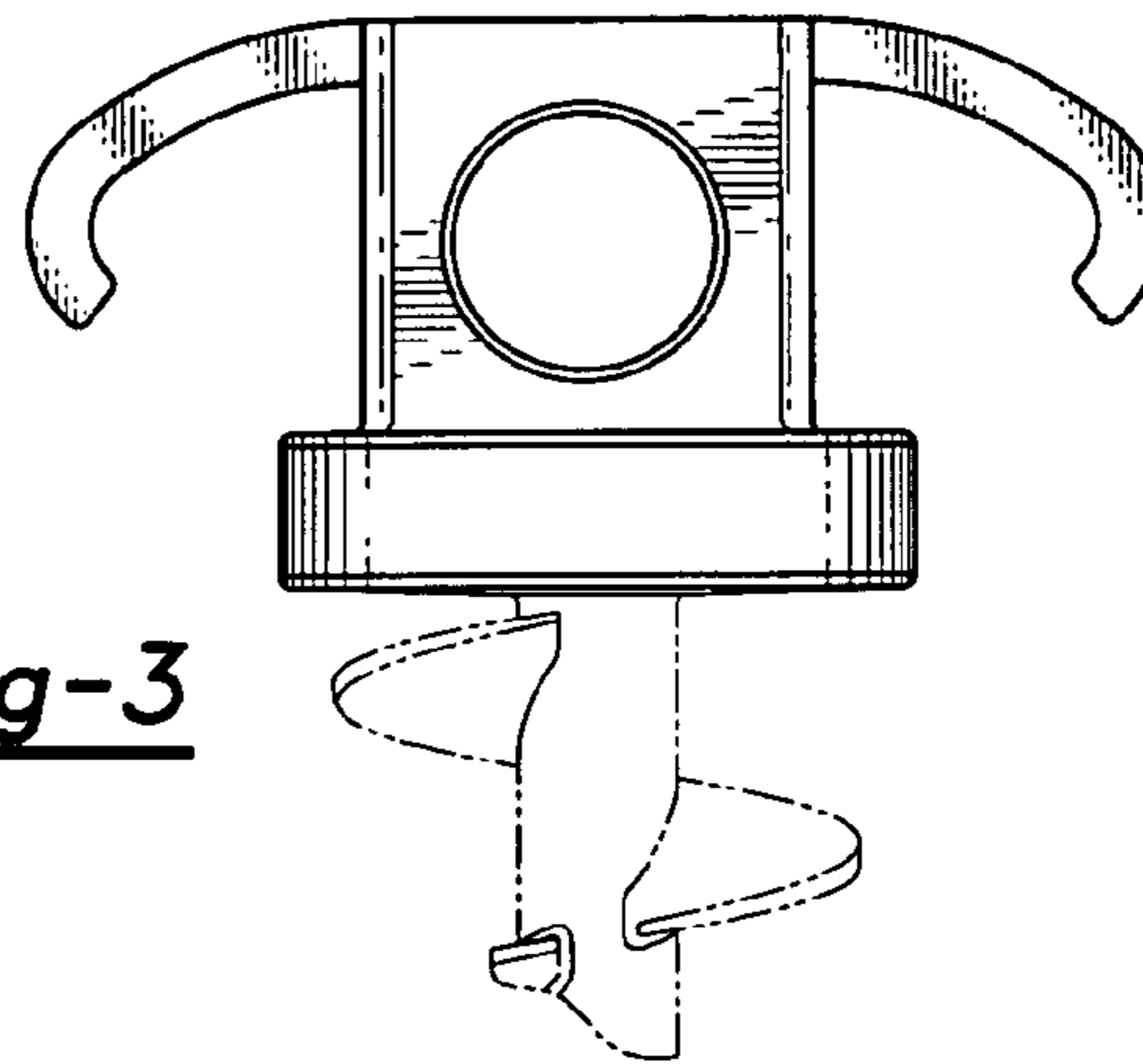


Fig-4

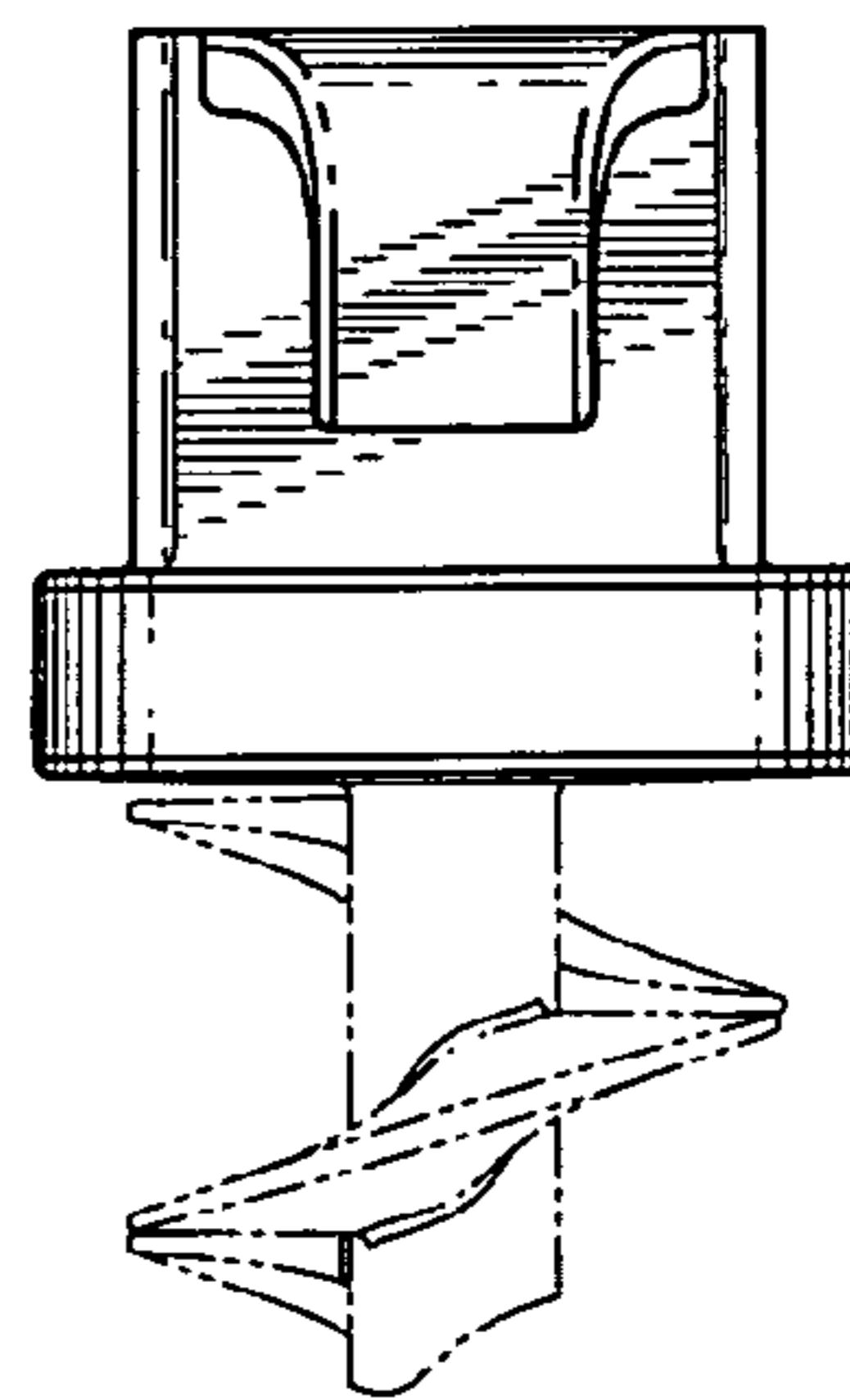


Fig-5

