



US00D658044S

(12) **United States Design Patent**  
**Cheng**

(10) **Patent No.:** **US D658,044 S**  
(45) **Date of Patent:** **\*\* Apr. 24, 2012**

(54) **HOOK OF HOOK-AND-LOOP FASTENER**

*Primary Examiner* — Sheryl Lane

(75) **Inventor:** **Cheng-Wei Allen Cheng**, Chang Hwa Hsien (TW)

(74) *Attorney, Agent, or Firm* — Bacon & Thomas, PLLC

(73) **Assignee:** **Taiwan Paiho Limited**, Chang Hwa Hsien (TW)

(57) **CLAIM**

The ornamental design for a hook of a hook-and-loop fastener, as shown and described.

(\*\*) **Term:** **14 Years**

(21) **Appl. No.:** **29/371,392**

(22) **Filed:** **Feb. 4, 2011**

(51) **LOC (9) Cl.** ..... **08-08**

(52) **U.S. Cl.** ..... **D8/382**

(58) **Field of Classification Search** ..... D8/349,  
D8/354, 382, 395, 396; 403/403; 248/71,  
248/73, 74.5; 24/442, 453; D11/86-87

See application file for complete search history.

**DESCRIPTION**

FIG. 1 is a perspective view of a hook of a hook-and-loop fastener of this new design;

FIG. 2 is a front view of the hook of a hook-and-loop fastener of this new design;

FIG. 3 is a rear view of the hook of a hook-and-loop fastener of this new design;

FIG. 4 is a right-side view of the hook of a hook-and-loop fastener of this new design;

FIG. 5 is a left-side view of the hook of a hook-and-loop fastener of this new design;

FIG. 6 is a top view of the hook of a hook-and-loop fastener of this new design; and,

FIG. 7 is a bottom view of the hook of a hook-and-loop fastener of this new design.

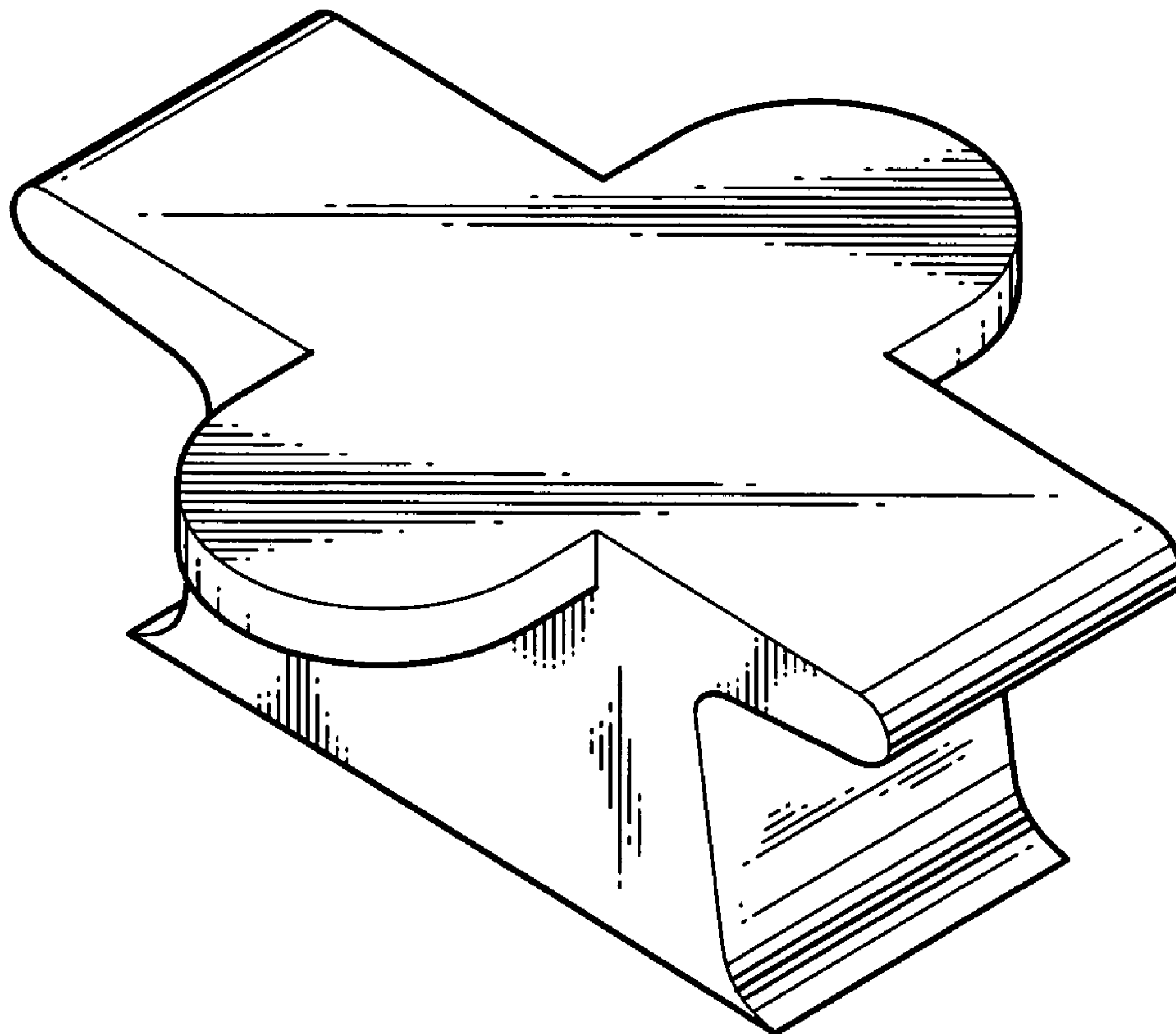
(56) **References Cited**

**U.S. PATENT DOCUMENTS**

D264,294 S *	5/1982	Schulze	.....	D6/491
D404,996 S *	2/1999	Ross	.....	D8/382
D427,050 S *	6/2000	Bryan	.....	D8/382
D457,053 S *	5/2002	Akeno et al.	.....	D8/382
D632,163 S *	2/2011	Hanna	.....	D8/382

\* cited by examiner

**1 Claim, 3 Drawing Sheets**



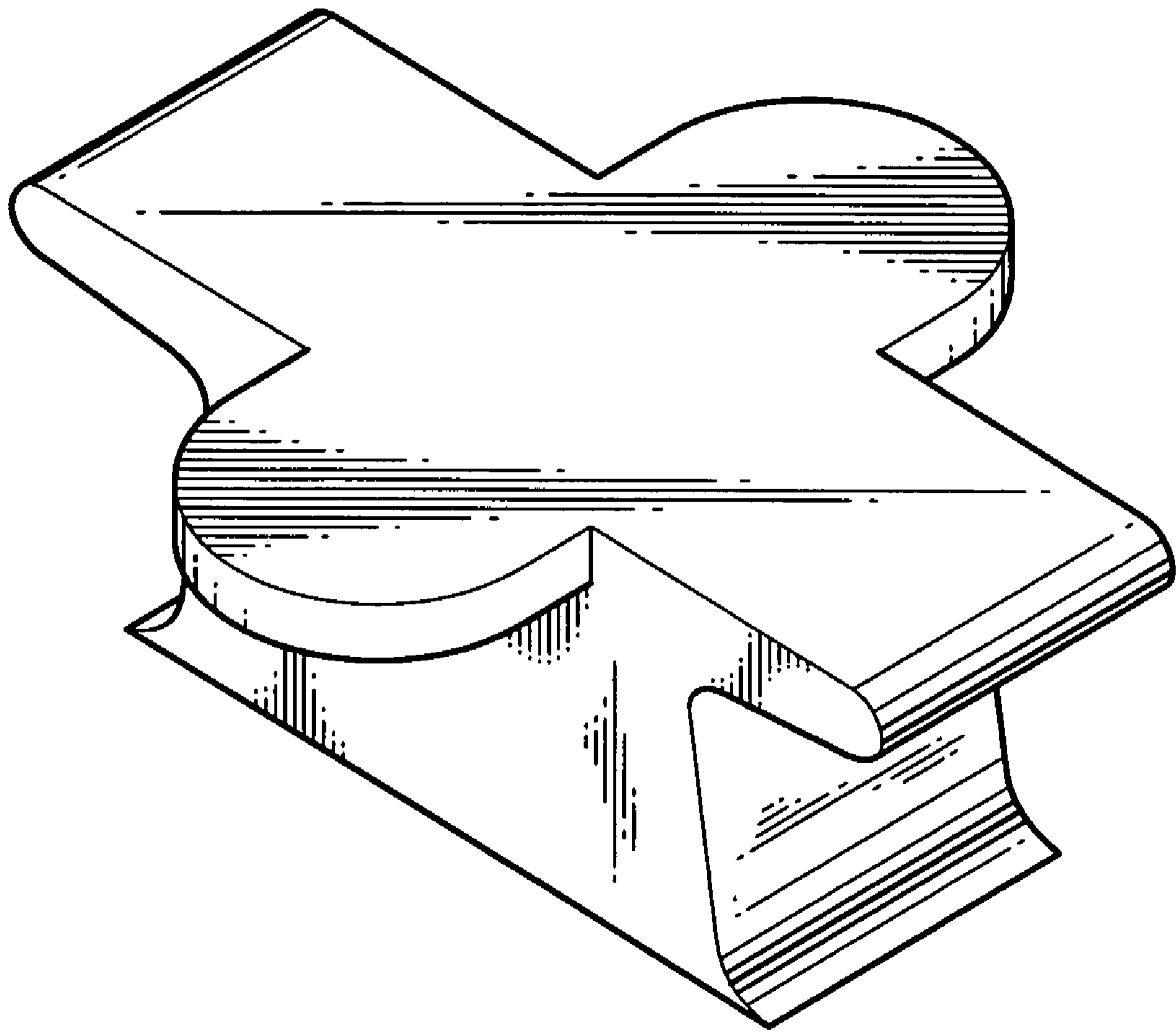


FIG. 1

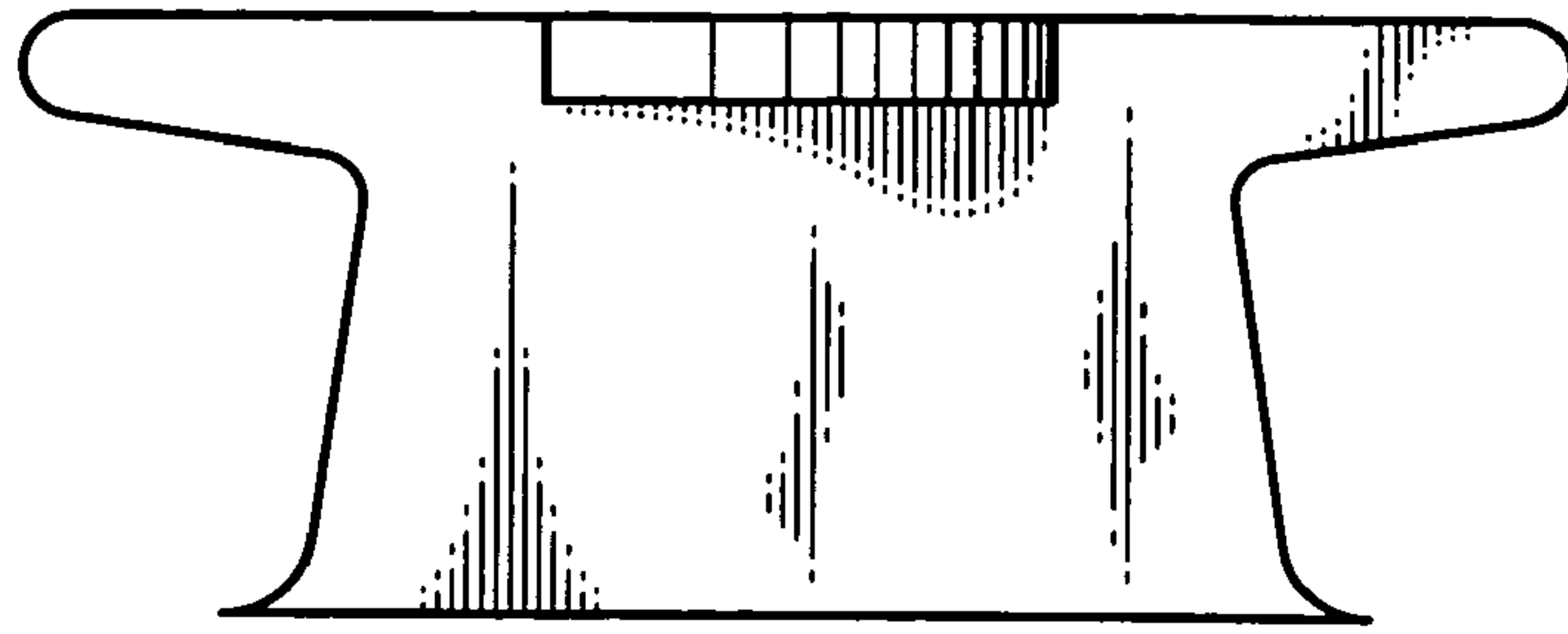


FIG. 2

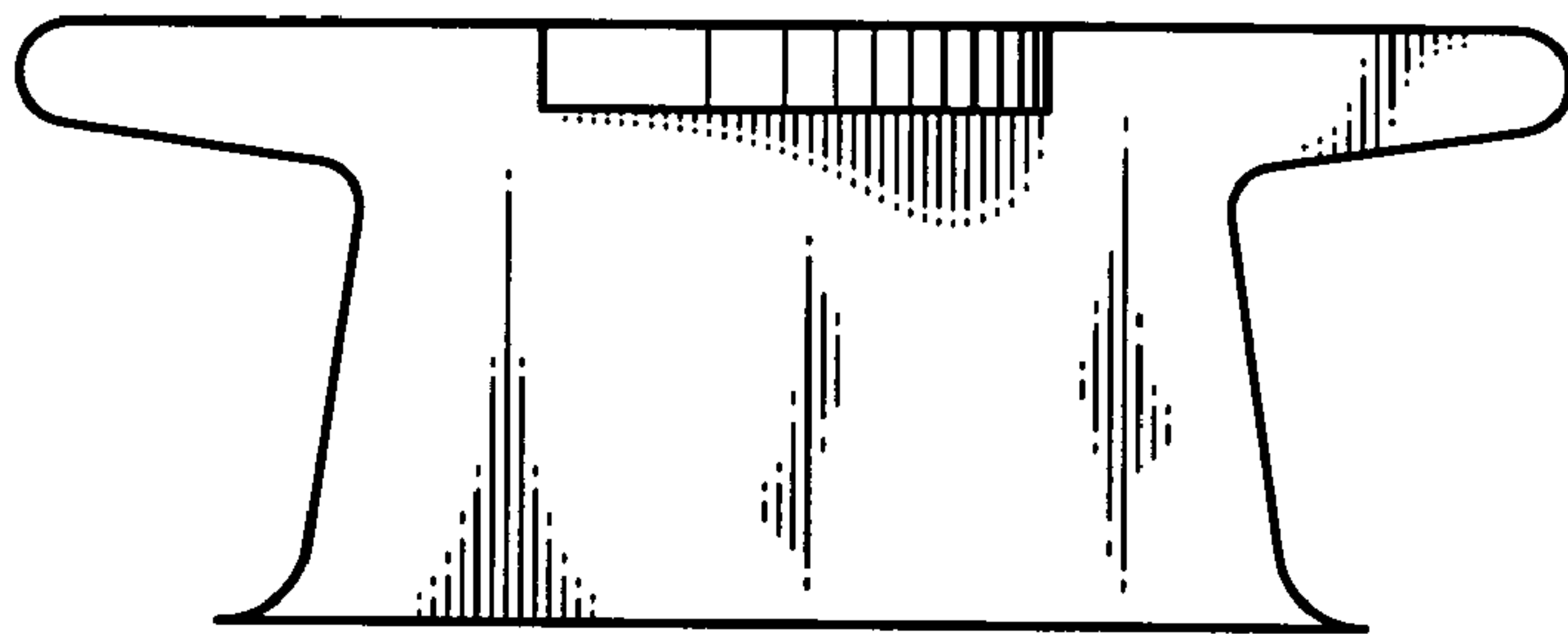


FIG. 3

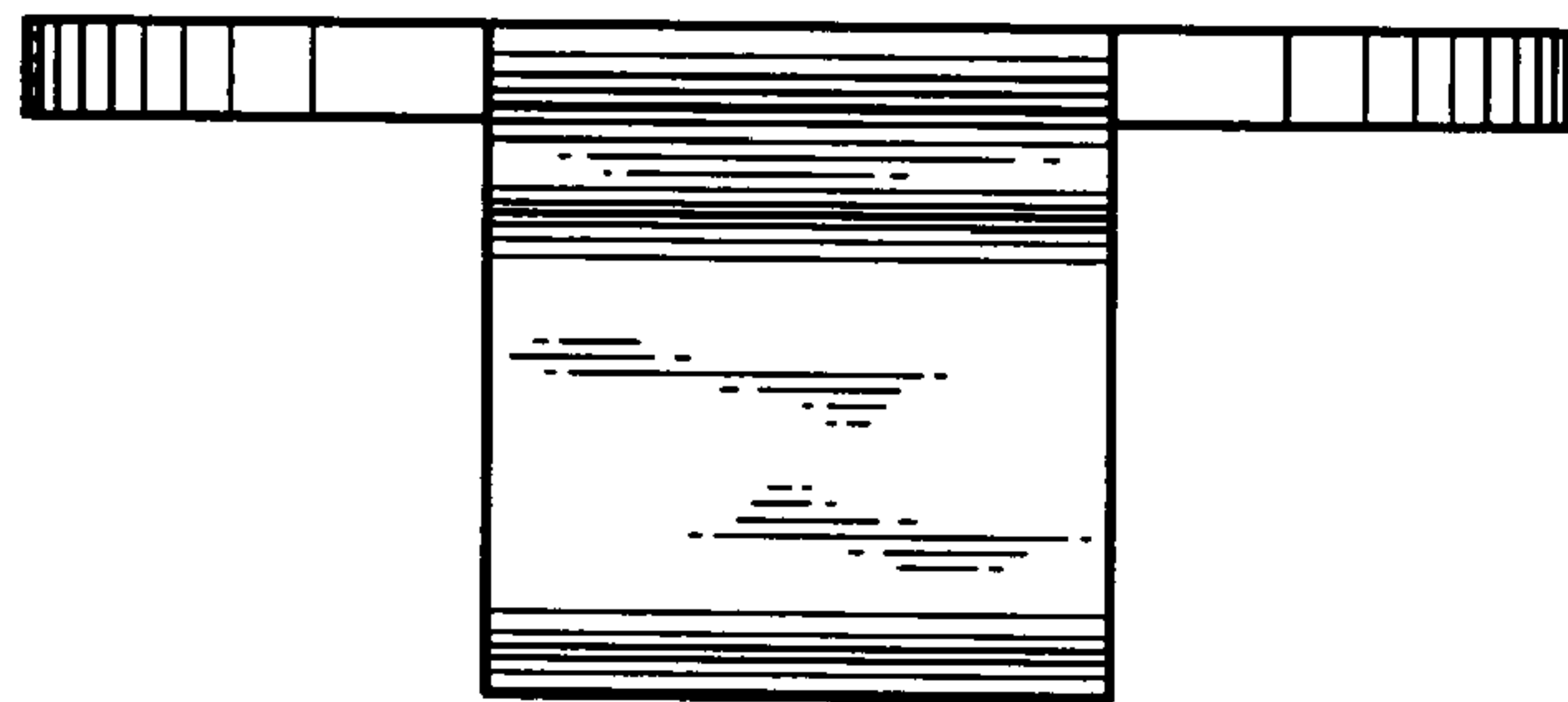


FIG. 4

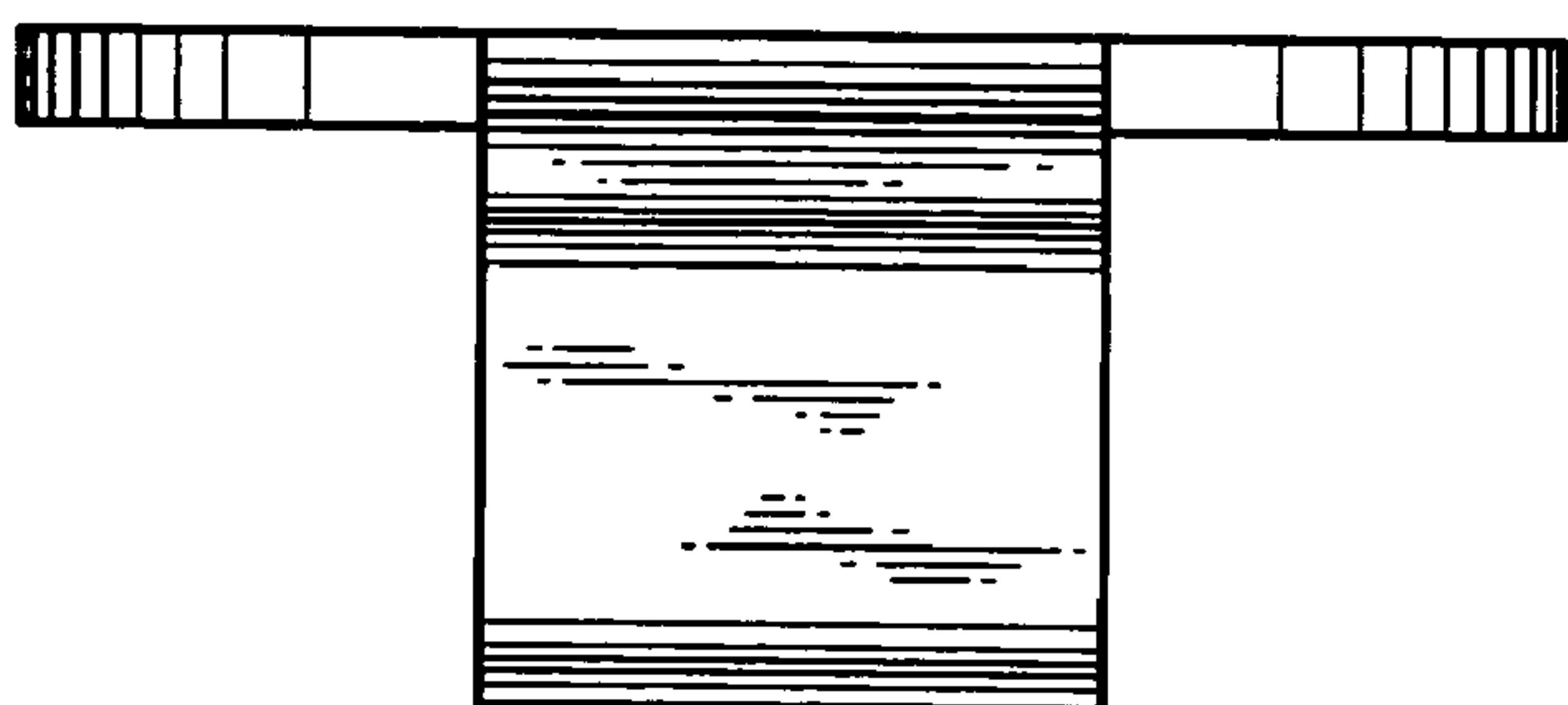


FIG. 5

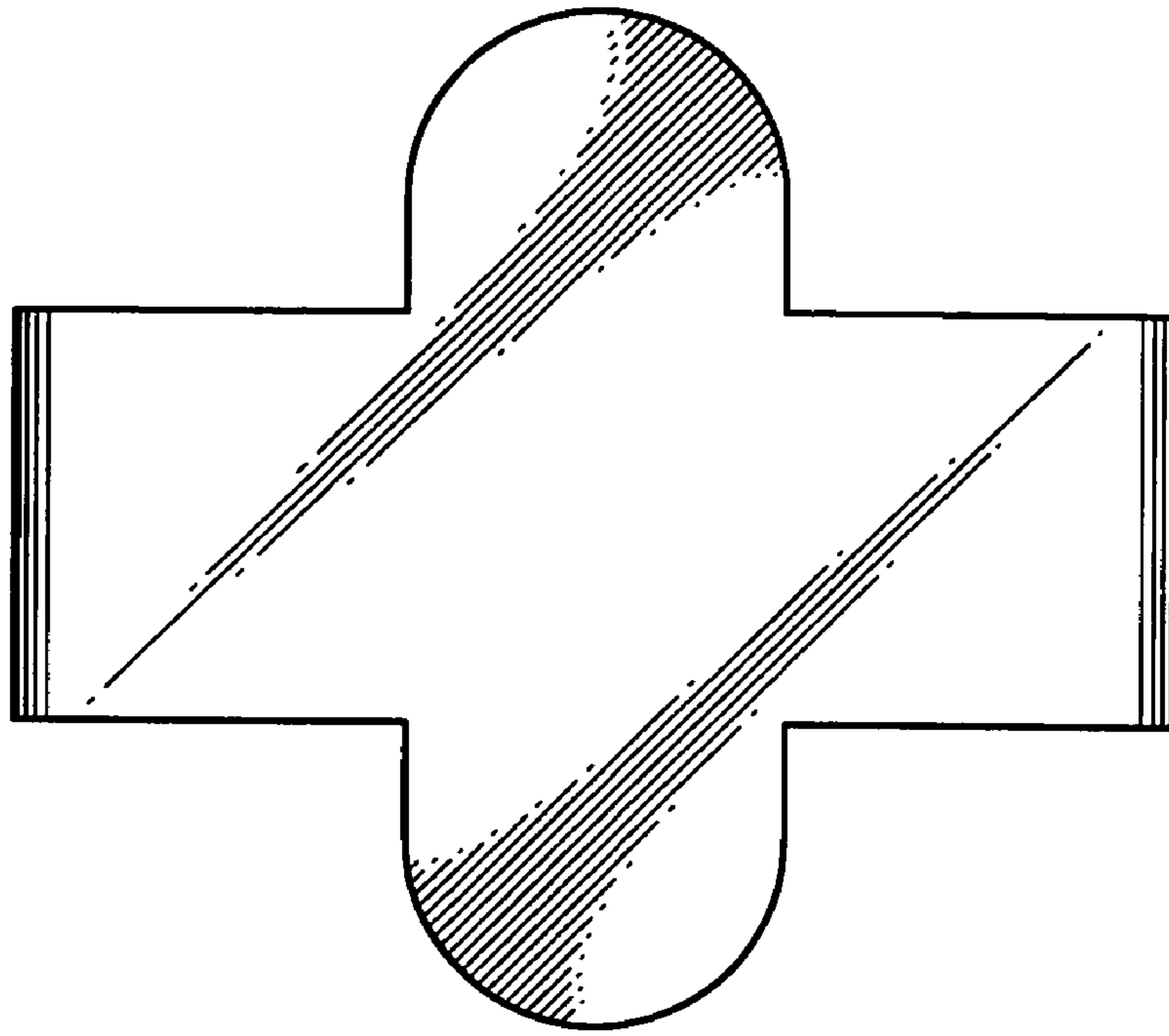


FIG. 6

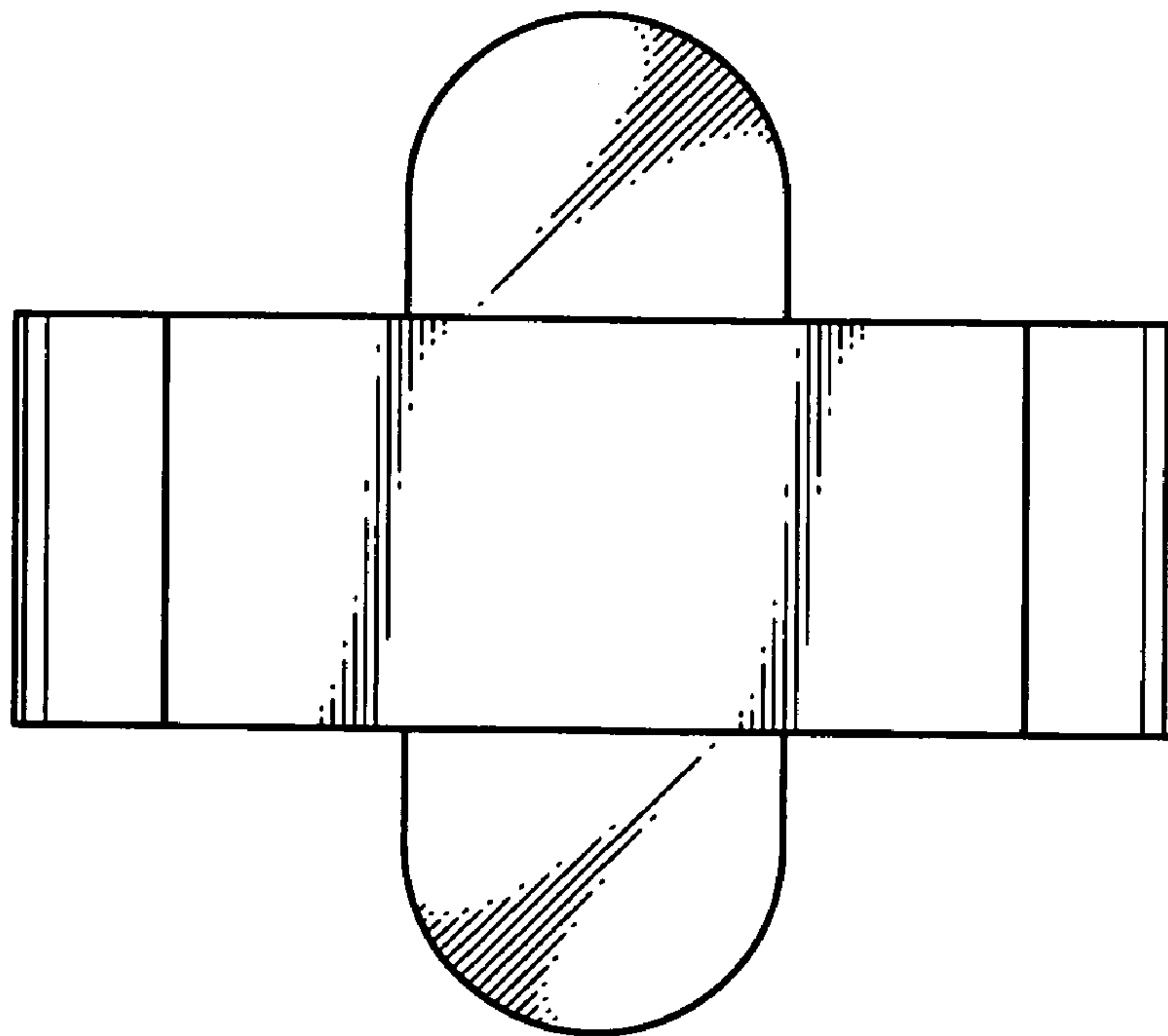


FIG. 7