

US00D658043S

(12) **United States Design Patent**
Burr

(10) **Patent No.:** **US D658,043 S**
(45) **Date of Patent:** **** Apr. 24, 2012**

- (54) **CURTAIN ROD BRACKET**
 - (76) Inventor: **Thomas M. Burr**, Cumberland, RI (US)
 - (**) Term: **14 Years**
 - (21) Appl. No.: **29/379,315**
 - (22) Filed: **Nov. 17, 2010**
 - (51) **LOC (9) Cl.** **08-05**
 - (52) **U.S. Cl.** **D8/366; D6/575**
 - (58) **Field of Classification Search** D6/512,
D6/553, 567, 572, 577, 579, 580, 581; D8/349,
D8/354, 363, 366, 371, 373, 380, 381, 382,
D8/394, 395; 248/200, 235, 239, 345, 250,
248/251, 261, 262, 542; 190/122
- See application file for complete search history.

- D478,804 S * 8/2003 Titus D8/363
- D602,344 S 10/2009 Olien
- D611,328 S 3/2010 Hanley et al.
- D638,282 S * 5/2011 Robinson D8/366

* cited by examiner

Primary Examiner — Susan Bennett Hattan
Assistant Examiner — Barbara B Lohr
(74) *Attorney, Agent, or Firm* — QuickPatents, Inc.; Kevin Prince

(56) **References Cited**

U.S. PATENT DOCUMENTS

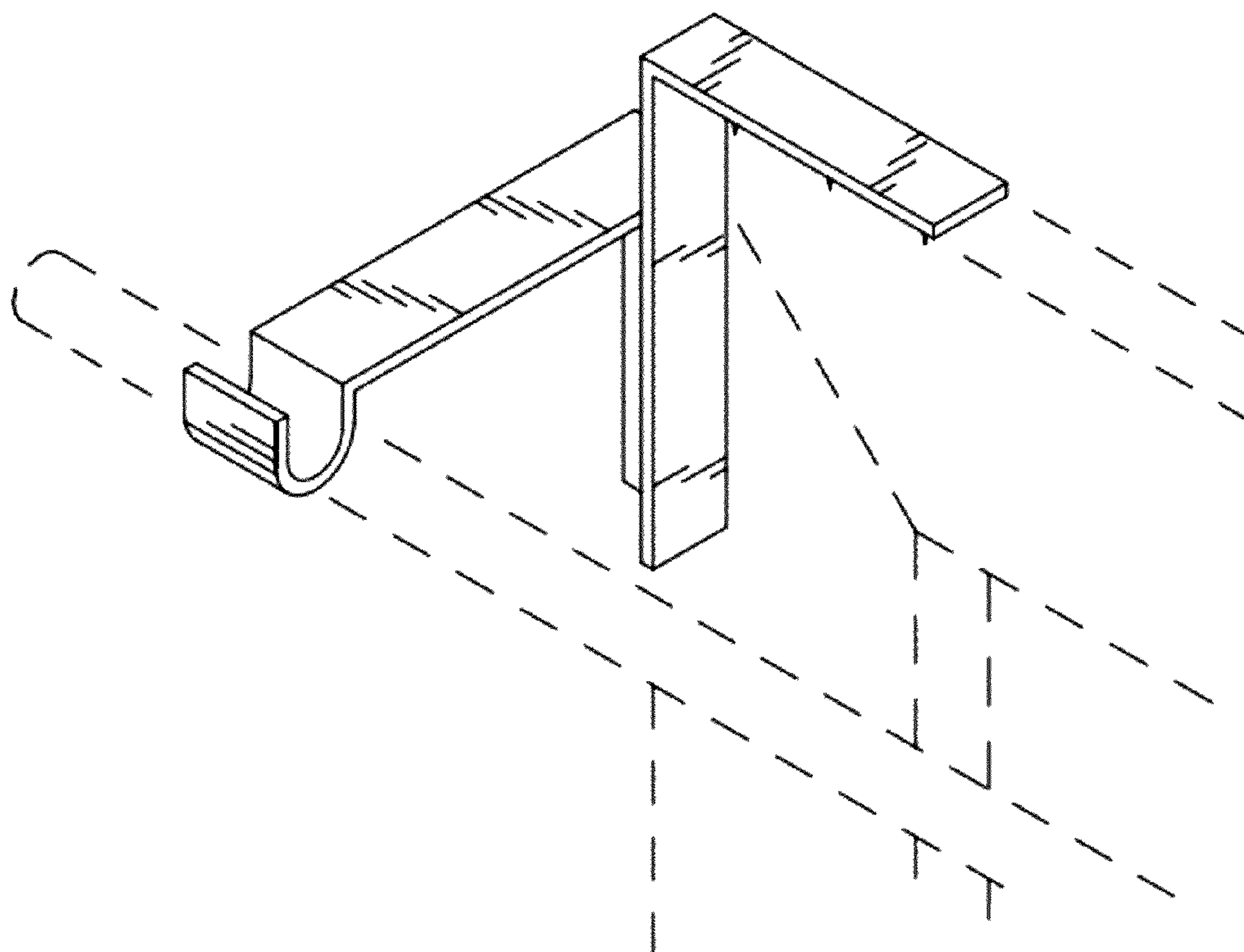
- D47,004 S 2/1915 Martin
- D55,157 S 5/1920 Dubish
- D242,986 S 1/1977 Inglis
- D253,162 S 10/1979 Sheehan
- 5,193,775 A * 3/1993 Wagnon 248/262
- D389,035 S 1/1998 Smiley et al.
- D408,722 S * 4/1999 Sartini D8/363
- D420,567 S 2/2000 Laga et al.
- D455,334 S * 4/2002 Ivankovic D8/366
- D464,013 S 10/2002 Adams et al.

(57) **CLAIM**
I claim the ornamental design for a curtain rod bracket, as shown and described.

DESCRIPTION

FIG. 1 is a perspective view of a curtain rod bracket, showing the new design;
FIG. 2 is a front elevational view thereof;
FIG. 3 is a rear elevational view thereof;
FIG. 4 is a right-side elevational view thereof;
FIG. 5 is a left-side elevational view thereof;
FIG. 6 is a top plan view thereof; and,
FIG. 7 is a bottom plan view thereof.
The broken lines showing a window frame and curtain rod in FIG. 1 are included for the purpose of illustrating the invention in use, and form no part of the claimed design.

1 Claim, 2 Drawing Sheets



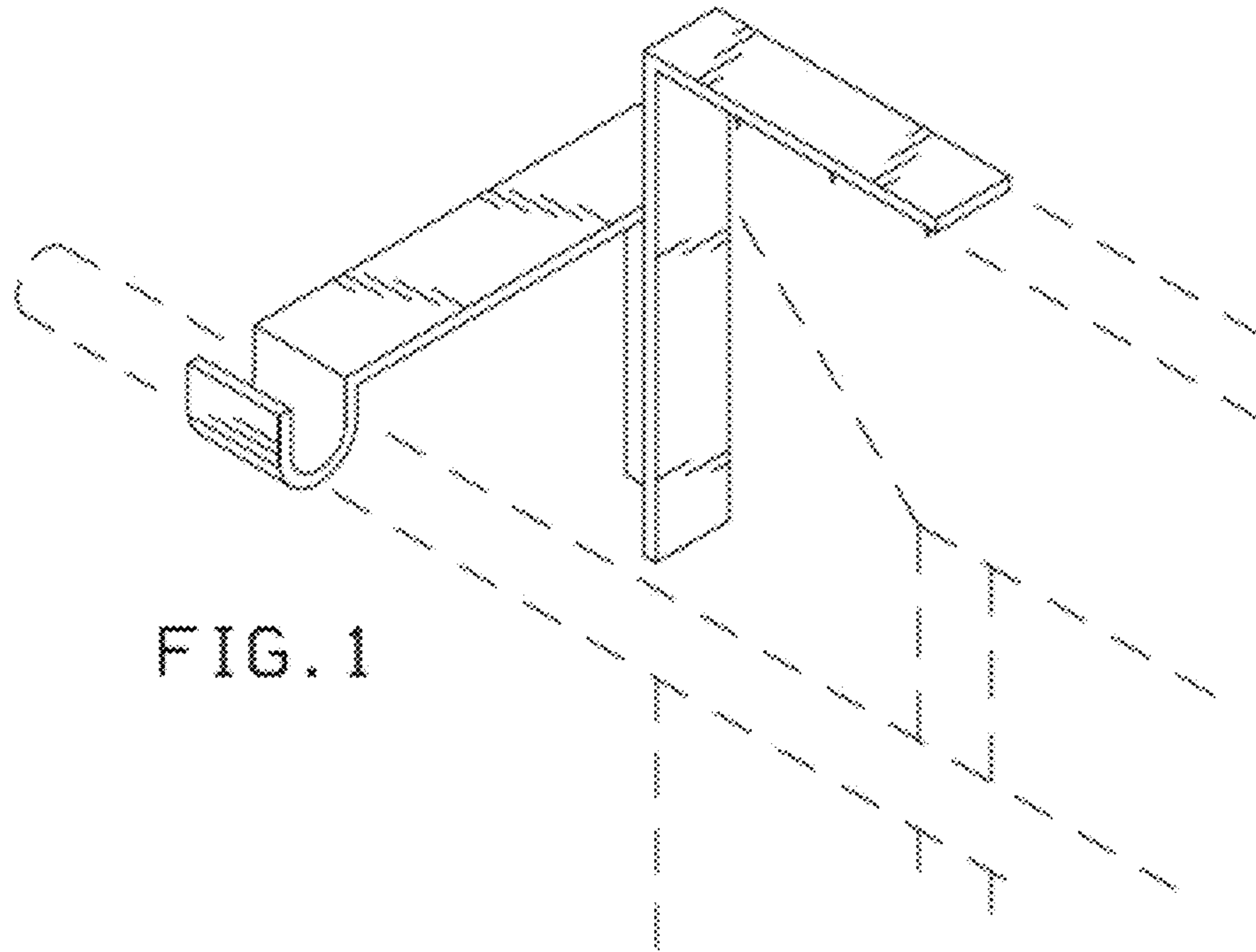


FIG. 1

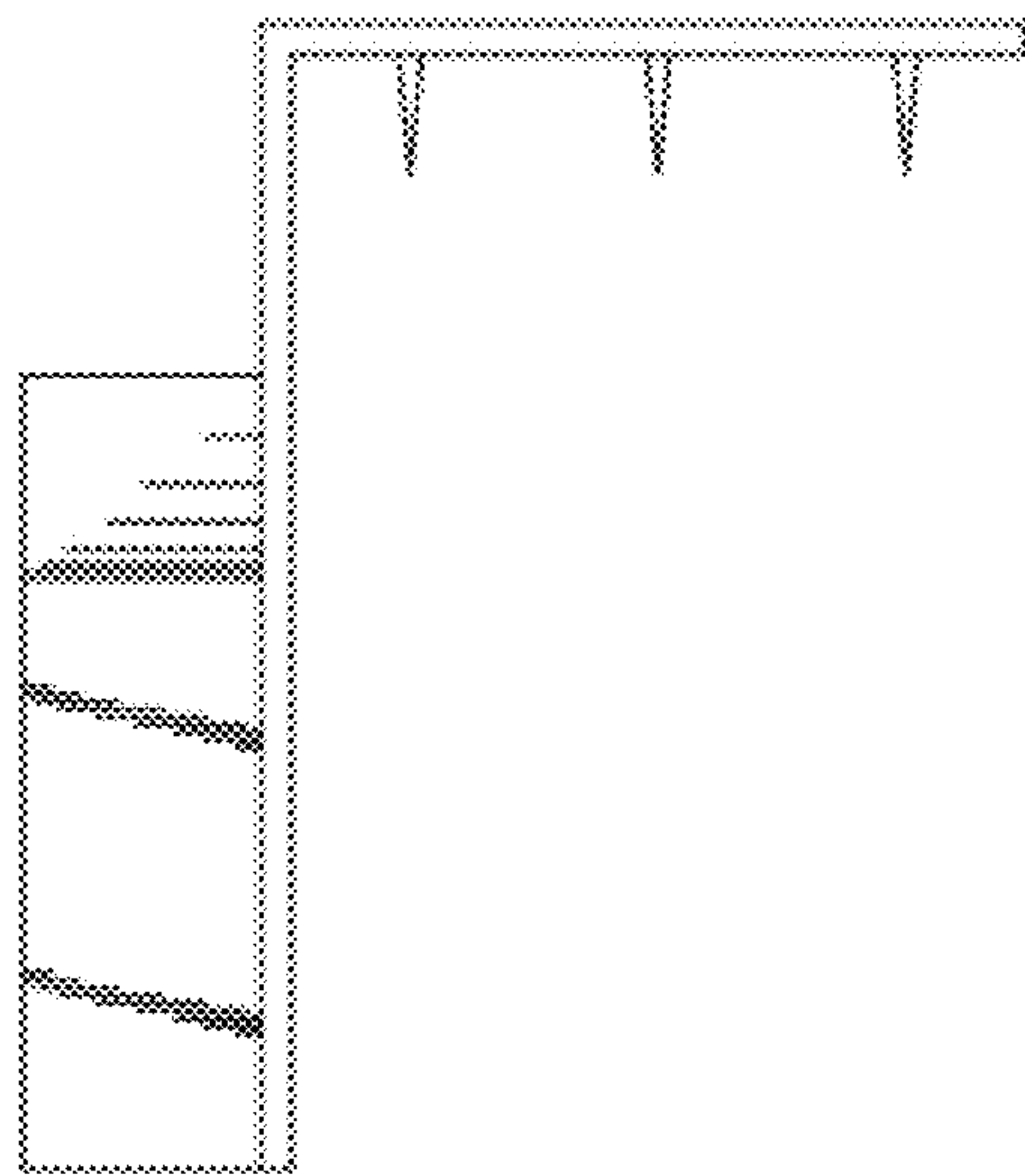


FIG. 2

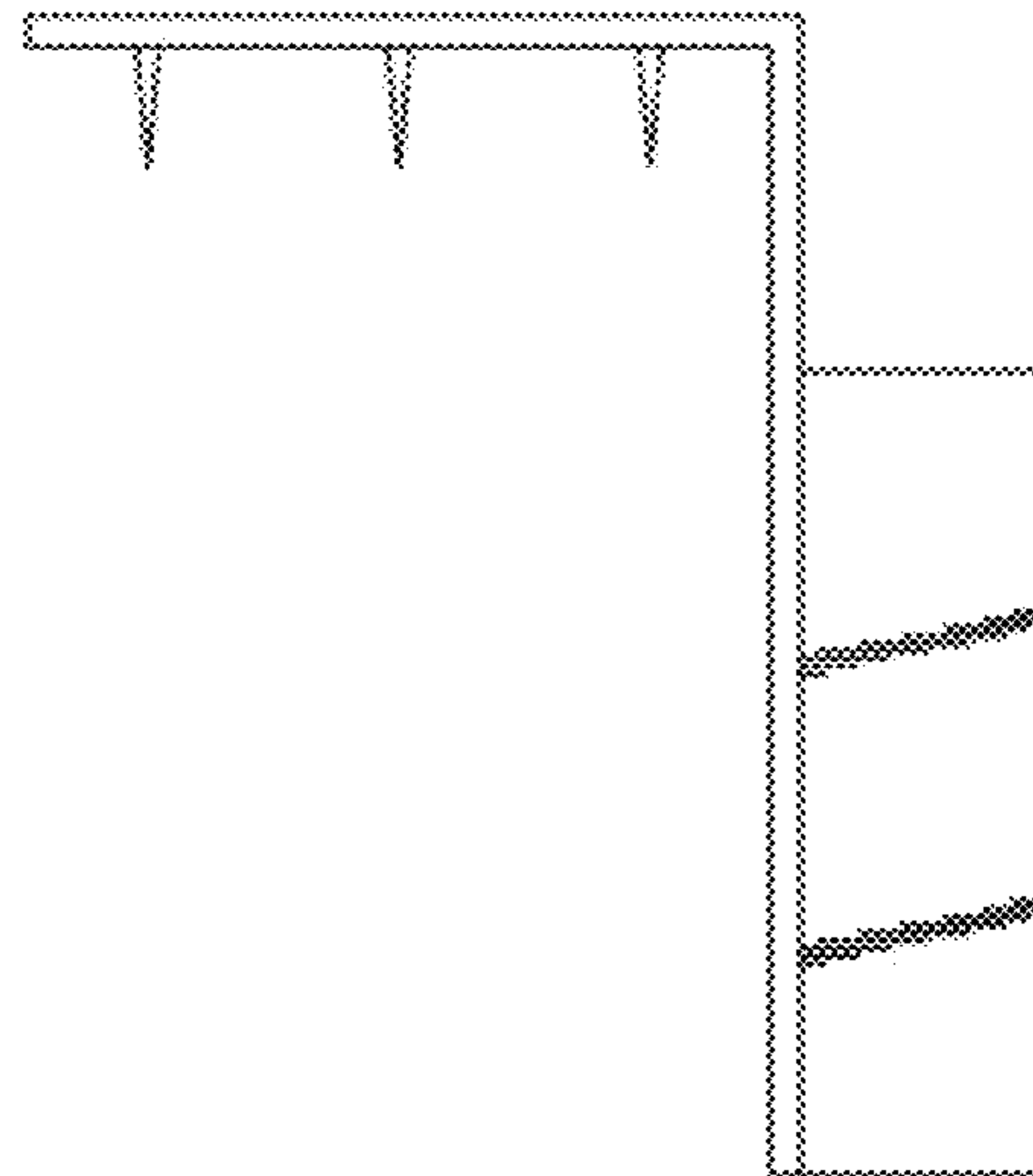


FIG. 3

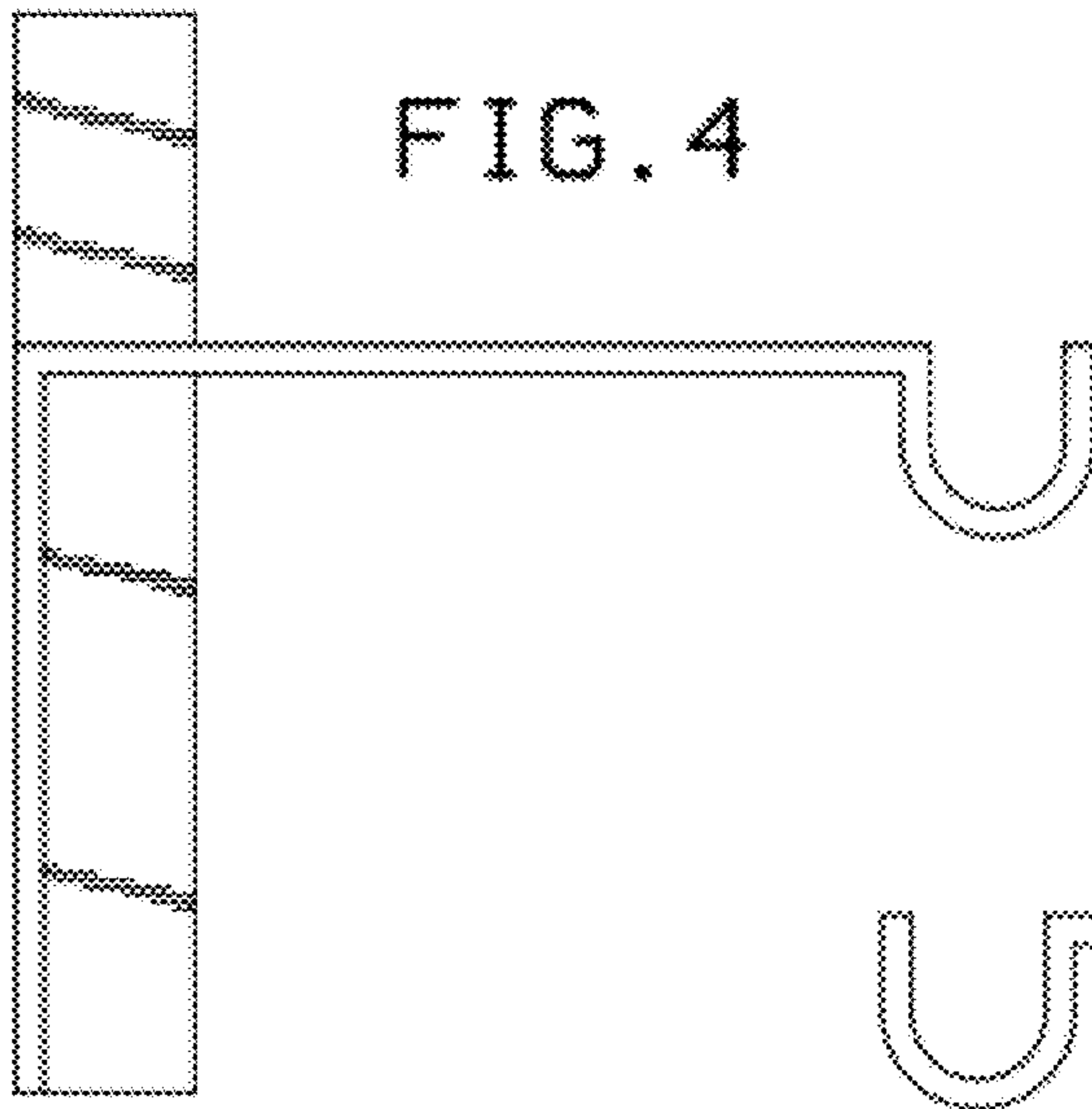


FIG. 4

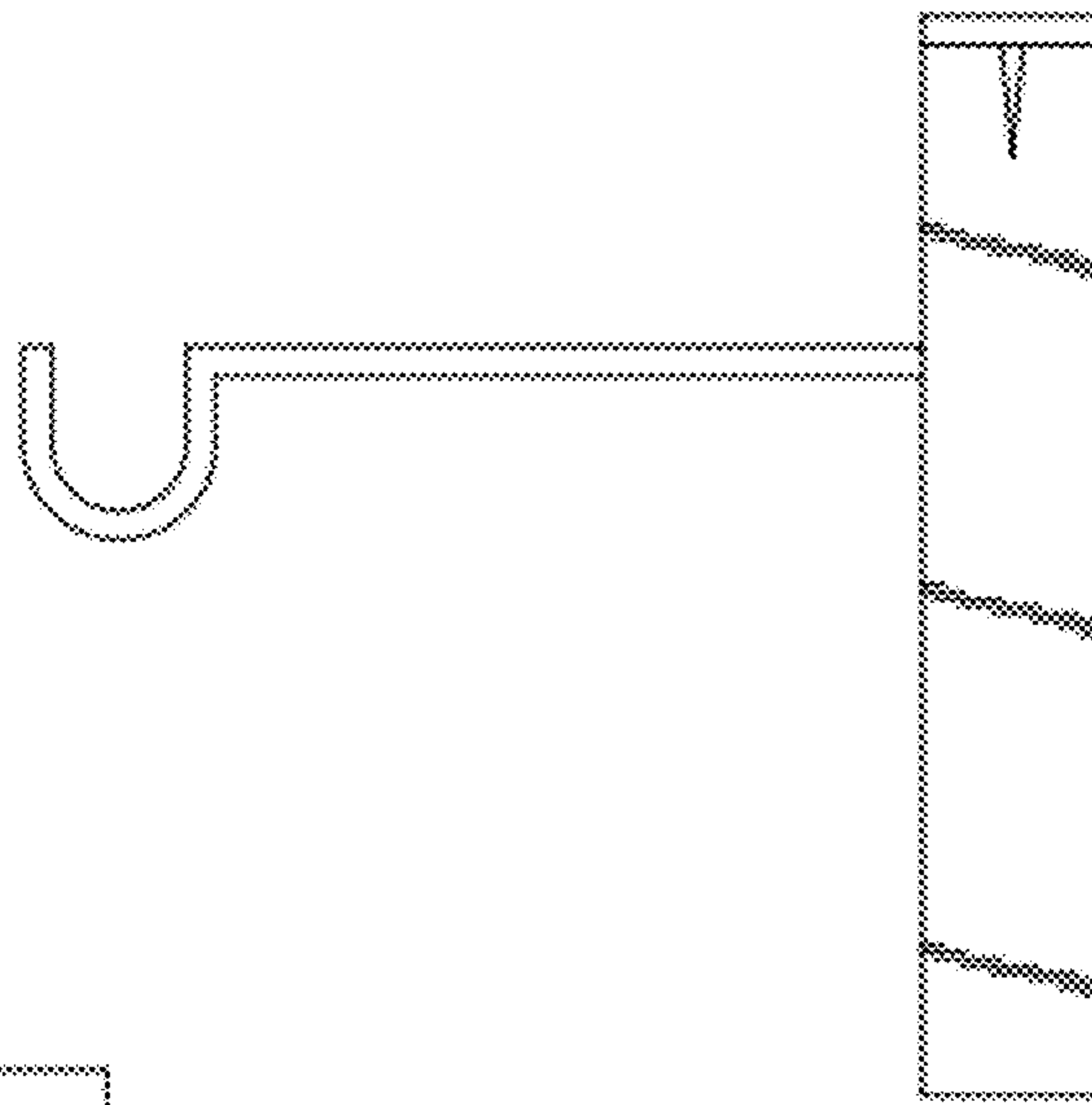


FIG. 5

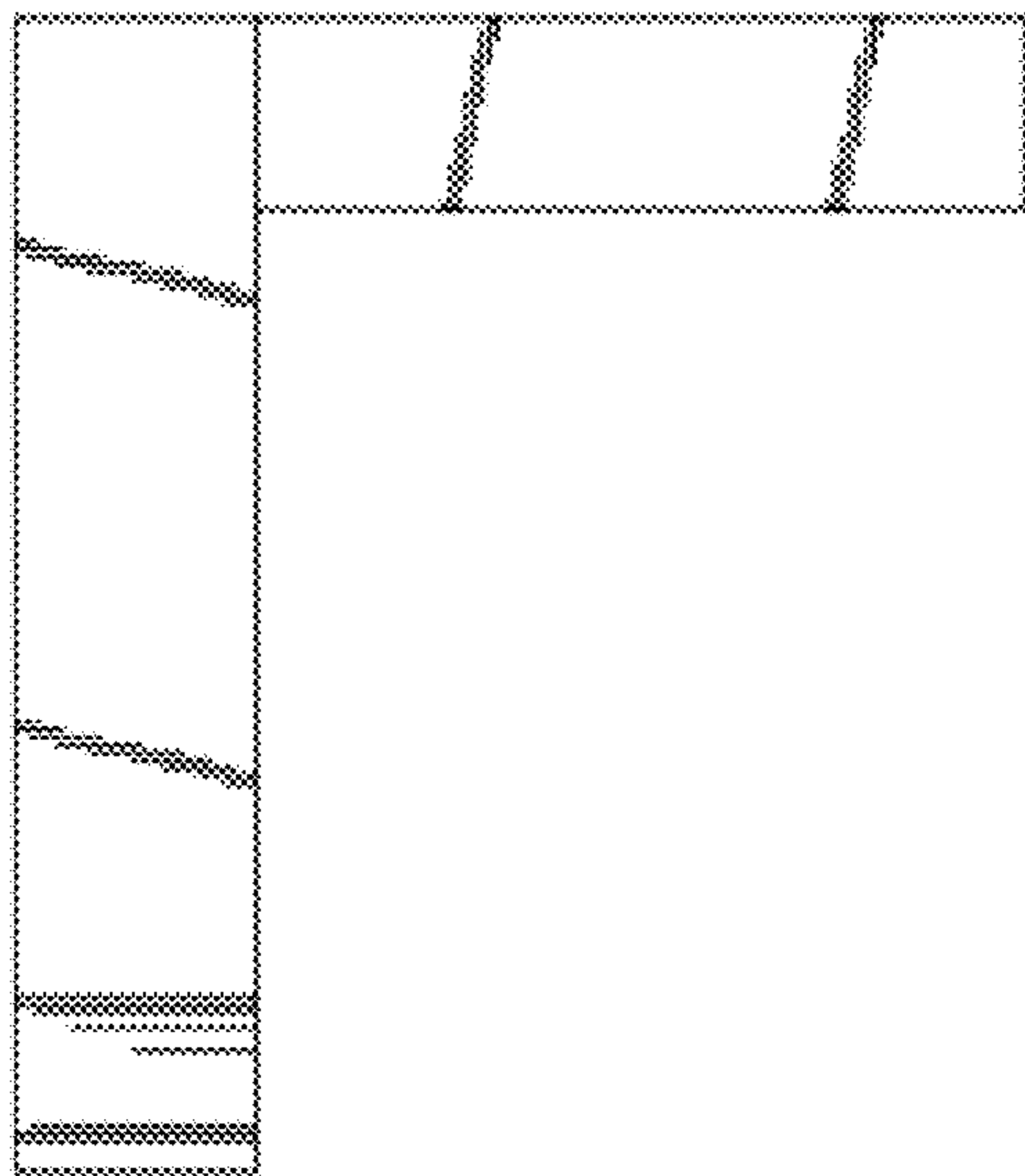


FIG. 6

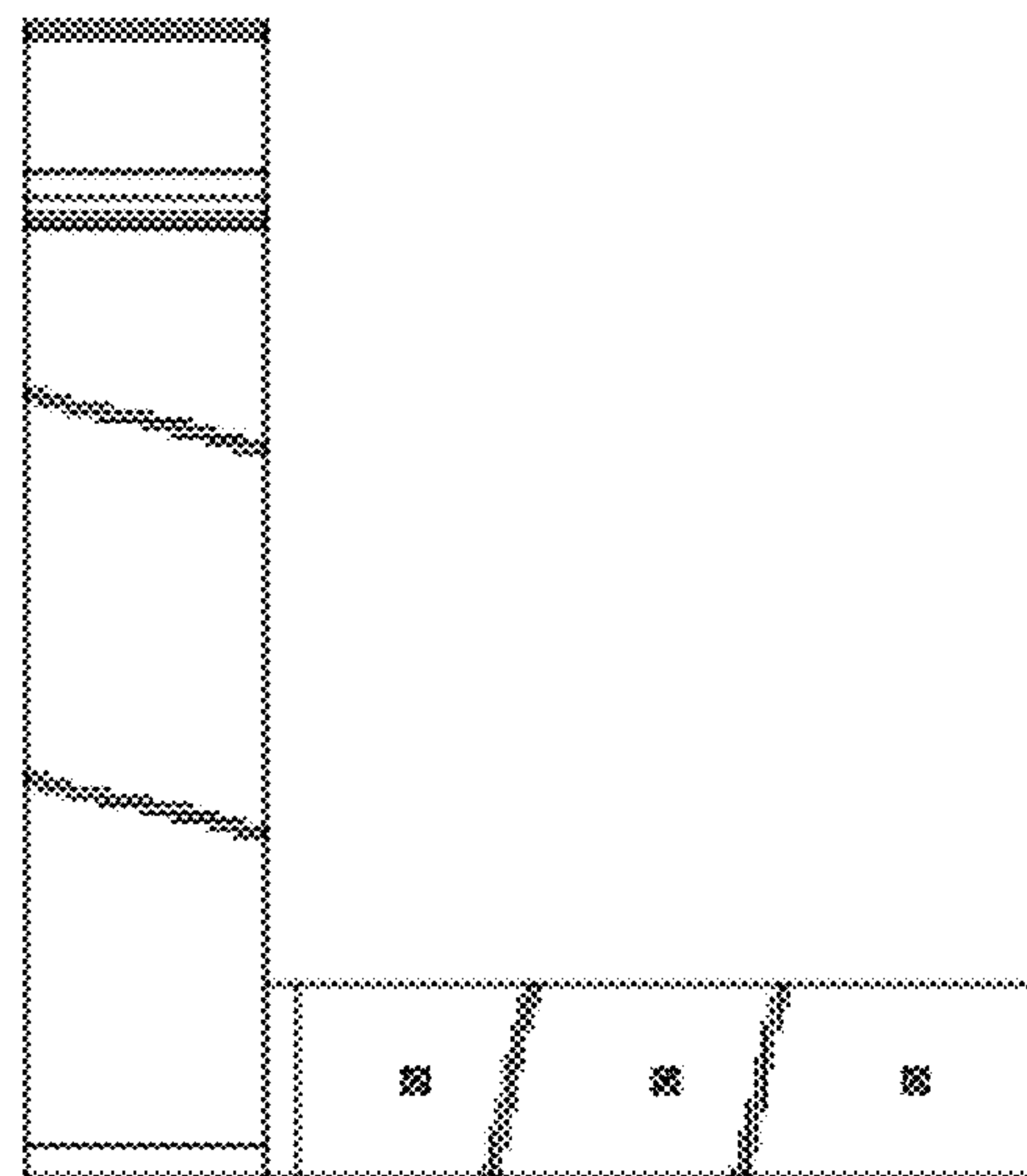


FIG. 7