



US00D658040S

(12) **United States Design Patent**
Ghatikar et al.

(10) **Patent No.:** **US D658,040 S**
(45) **Date of Patent:** **** Apr. 24, 2012**

(54) **BRACKET FOR MODULAR PANEL MOUNTING SYSTEM**

(75) Inventors: **Venugopal R. Ghatikar**, Salt Lake City, UT (US); **William Gatti**, Sandy, UT (US); **Michael Damen**, Rochetoirin (FR); **Guillaume Martin**, Rochetoirin (FR)

(73) Assignee: **3form, Inc.**, Salt Lake City, UT (US)

(**) Term: **14 Years**

(21) Appl. No.: **29/339,987**

(22) Filed: **Jul. 10, 2009**

Related U.S. Application Data

(63) Continuation of application No. 12/028,584, filed on Feb. 8, 2008.

(51) **LOC (9) Cl.** **08-05**

(52) **U.S. Cl.** **D8/354**

(58) **Field of Classification Search** D8/354, D8/382, 387, 349; D12/223; 160/135, 229.1, 160/351; 52/786.1, 204.7, 208, 786.13, 239; 211/187, 189, 192, 196, 86.01; 411/402, 411/403; 403/300, 305, 306, 205, 312, 388, 403/217, 169, 170, 173, 174, 294, 286, 404
See application file for complete search history.

(56) **References Cited**

U.S. PATENT DOCUMENTS

1,382,505	A	6/1921	Hargey	
D58,666	S	8/1921	Eustis	
2,019,977	A *	11/1935	Winslow et al.	52/126.4
2,180,633	A	11/1939	Holt	
2,903,227	A	9/1959	Key	
3,168,772	A *	2/1965	Williams	249/42
3,221,678	A	12/1965	Doherty	
D227,342	S *	6/1973	Buckman	D8/355

3,762,116	A	10/1973	Anderson	
3,771,466	A	11/1973	Ferdinand et al.	
D229,745	S *	1/1974	Dean	D8/364
4,145,849	A	3/1979	Shindoll et al.	
4,185,430	A *	1/1980	Gartung	52/285.4
4,187,892	A	2/1980	Simmons	
4,188,758	A	2/1980	Swann	
4,416,093	A *	11/1983	Salkeld et al.	52/71
4,516,619	A	5/1985	Hasbrouck	
4,561,229	A *	12/1985	Gartung	52/239
4,610,560	A *	9/1986	Miller	403/119

(Continued)

OTHER PUBLICATIONS

Office Action mailed Oct. 19, 2010, U.S. Appl. No. 12/028,584, filed Feb. 8, 2008 (5 pages).

(Continued)

Primary Examiner — Mark Goodwin

(74) *Attorney, Agent, or Firm* — Workman Nydegger

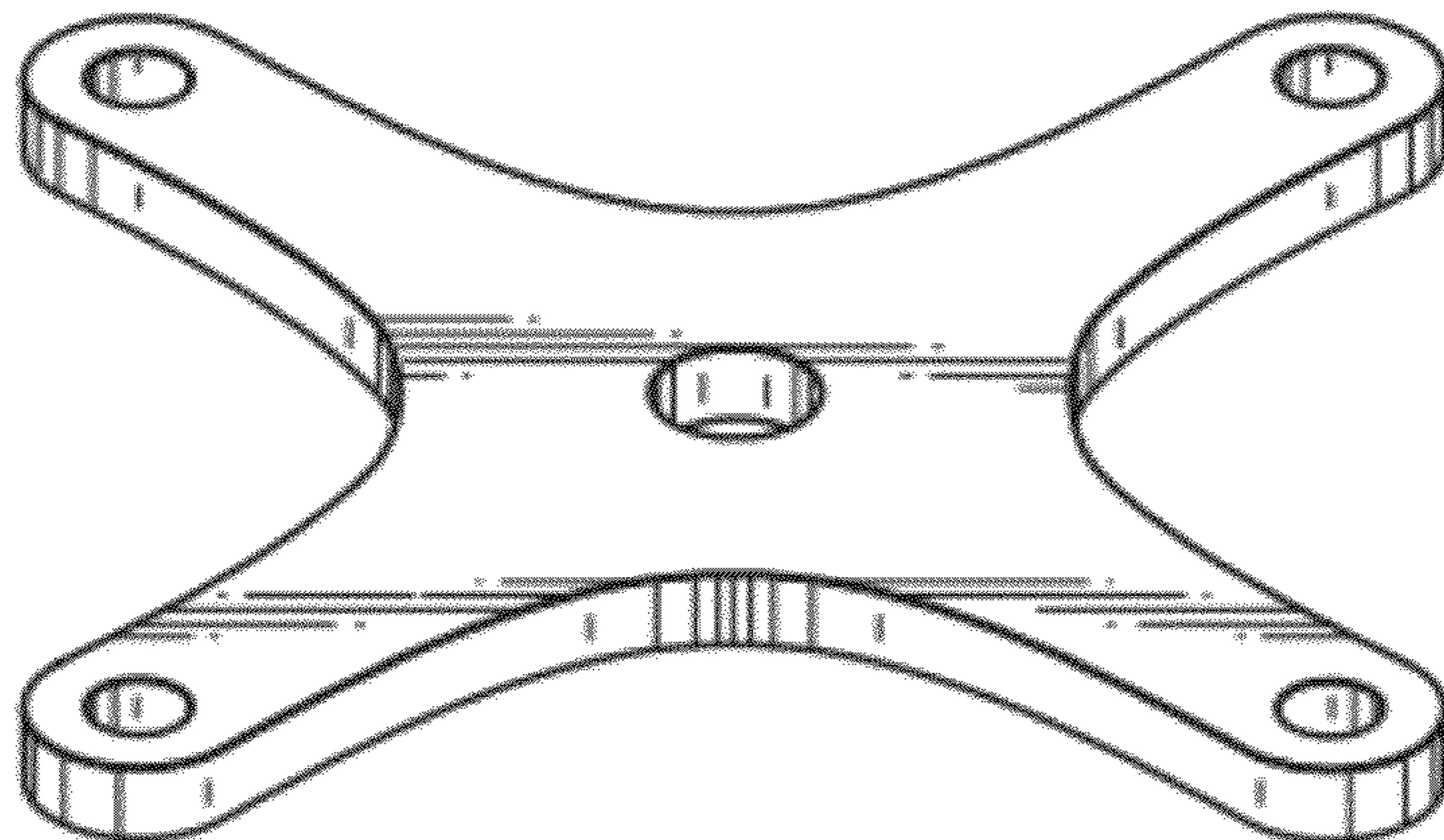
(57) **CLAIM**

The ornamental design for a bracket for modular panel mounting system, as shown and described.

DESCRIPTION

FIG. 1 is a top perspective view of a bracket for modular panel mounting system;
FIG. 2 is a top elevation view thereof, the bottom elevation view being a mirror image thereof;
FIG. 3 is a front elevational view thereof, the rear elevational view being a mirror image thereof;
FIG. 4 is a left elevation view thereof, the rear elevation view being a mirror image thereof; and,
FIG. 5 shows a bracket for modular panel mounting system in a use condition as part of a panel system.
The broken lines in the figures are included for environmental or illustrative purposes only and form no part of the claimed design.

1 Claim, 2 Drawing Sheets



US D658,040 S

Page 2

U.S. PATENT DOCUMENTS

4,648,766 A 3/1987 Wollar
4,682,457 A * 7/1987 Spencer 52/239
D298,736 S 11/1988 Shiraiishi
D298,801 S 12/1988 Satoh
4,819,817 A 4/1989 Mar
5,095,862 A 3/1992 Murphy
5,148,928 A 9/1992 Arnold
D338,614 S * 8/1993 Pierce D8/382
D347,382 S 5/1994 Carruthers
5,347,778 A * 9/1994 Bray 52/239
5,540,514 A 7/1996 Demars et al.
5,558,501 A 9/1996 Wang et al.
5,694,997 A * 12/1997 Styger 160/135
5,782,282 A * 7/1998 Chen 160/206
5,826,847 A 10/1998 Warner et al.
5,924,469 A 7/1999 Whittemore
D414,400 S * 9/1999 Williams D8/382
D421,896 S 3/2000 Hamernik
D426,146 S 6/2000 Bruns et al.
6,086,051 A * 7/2000 Wiebe et al. 256/25
D439,137 S * 3/2001 Ausilio D8/354
6,241,108 B1 6/2001 Nakatani et al.
6,254,397 B1 7/2001 Elmer
6,430,894 B1 8/2002 Chae et al.
6,443,319 B1 9/2002 Sander
6,467,225 B1 10/2002 Shimomura
6,688,238 B1 2/2004 Alexiou
6,711,871 B2 * 3/2004 Beirise et al. 52/782.1
D491,451 S 6/2004 Jien
6,817,149 B2 * 11/2004 Diffrient et al. 52/239
D534,064 S * 12/2006 Gimpel et al. D8/382
7,165,690 B2 1/2007 Wu
D553,478 S 10/2007 Liao

7,293,667 B2 11/2007 Flynn
D563,216 S 3/2008 Suehiro et al.
D590,702 S 4/2009 Giddings
D590,703 S 4/2009 Suehiro et al.
D592,043 S 5/2009 Suehiro et al.
D593,850 S 6/2009 Kullman
D594,735 S 6/2009 Hofer
D596,926 S 7/2009 Venkateraman
D604,614 S 11/2009 Janboecke
D611,800 S 3/2010 Ghatikar
D612,713 S 3/2010 Konecnik
D623,506 S 9/2010 Ghatikar et al.
2004/0173551 A1 9/2004 Wu
2004/0226903 A1 11/2004 Wang

OTHER PUBLICATIONS

Office Action mailed Nov. 10, 2010, U.S. Appl. No. 29/364,970, filed Jun. 30, 2010 (6 pages).

Office Action mailed May 7, 2010, U.S. Appl. No. 29/339,988, filed Jul. 10, 2006 (5 pages).

Office Action mailed Sep. 14, 2010, U.S. Appl. No. 29/339,982, filed Jul. 10, 2009 (6 pages).

Fluowall Online Brochure, Author Unknown, Guardamiglio, Italy [online] [retrieved on Mar. 25, 2008], 12 pgs. Retrieved from the Internet URL: <http://www.fluowall.it/fluowall.html>.

Sorbetti Online Display Brochure, Author Unknown, [online] [retrieved on Mar. 25, 2008], 45 pgs. Retrieved from the Internet URL: <http://www.bnind.com/sorbetti.asp>.

Sorbetti Online Tech Specs, Author Unknown, [online] [retrieved on Mar. 25, 2008], 12 pgs. Retrieved from the Internet URL: http://www.bnind.com/downloads/pdfs/BN_Sorbetti_TechSpecs.pdf.

* cited by examiner

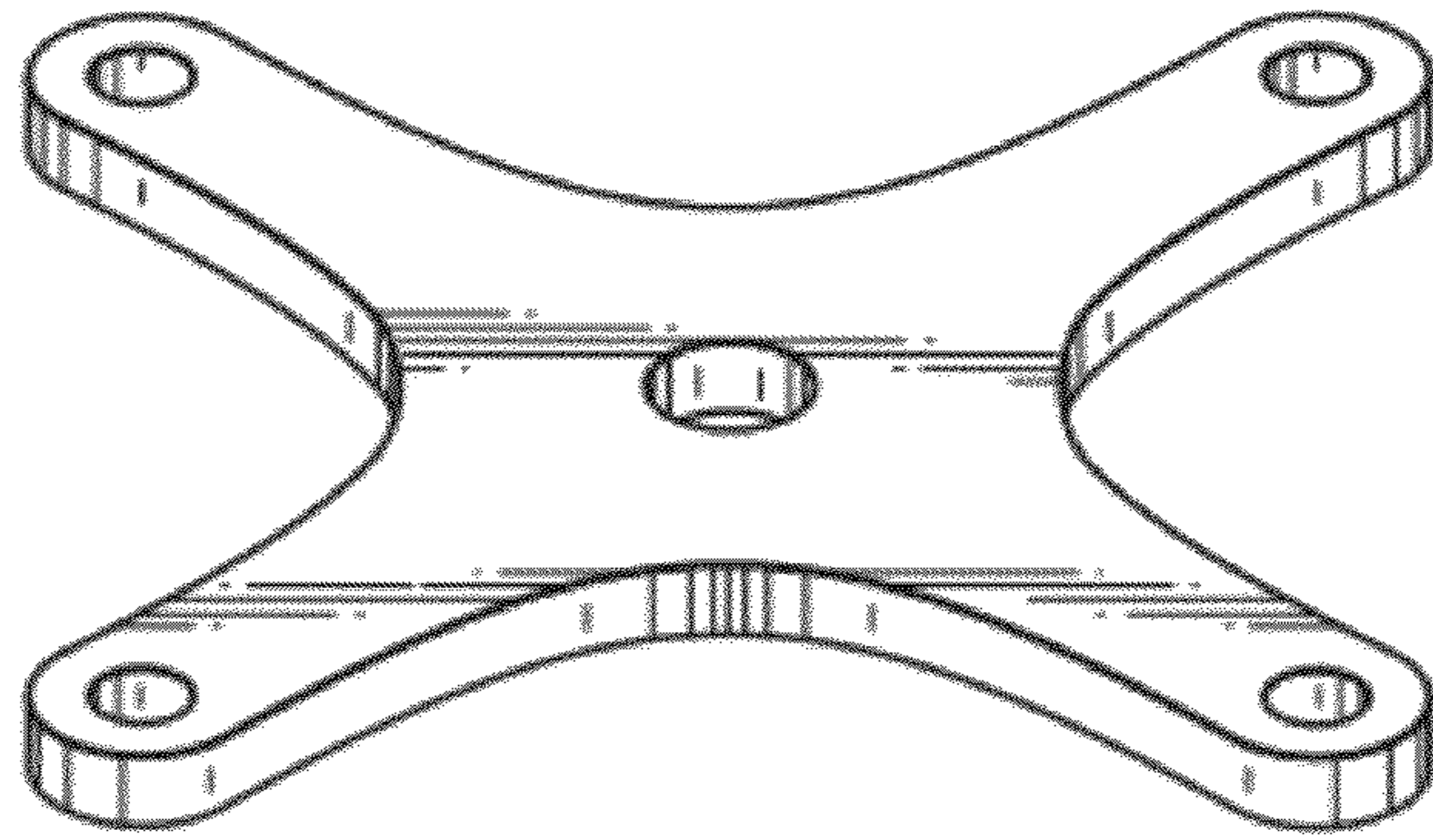


Figure 1



Figure 4

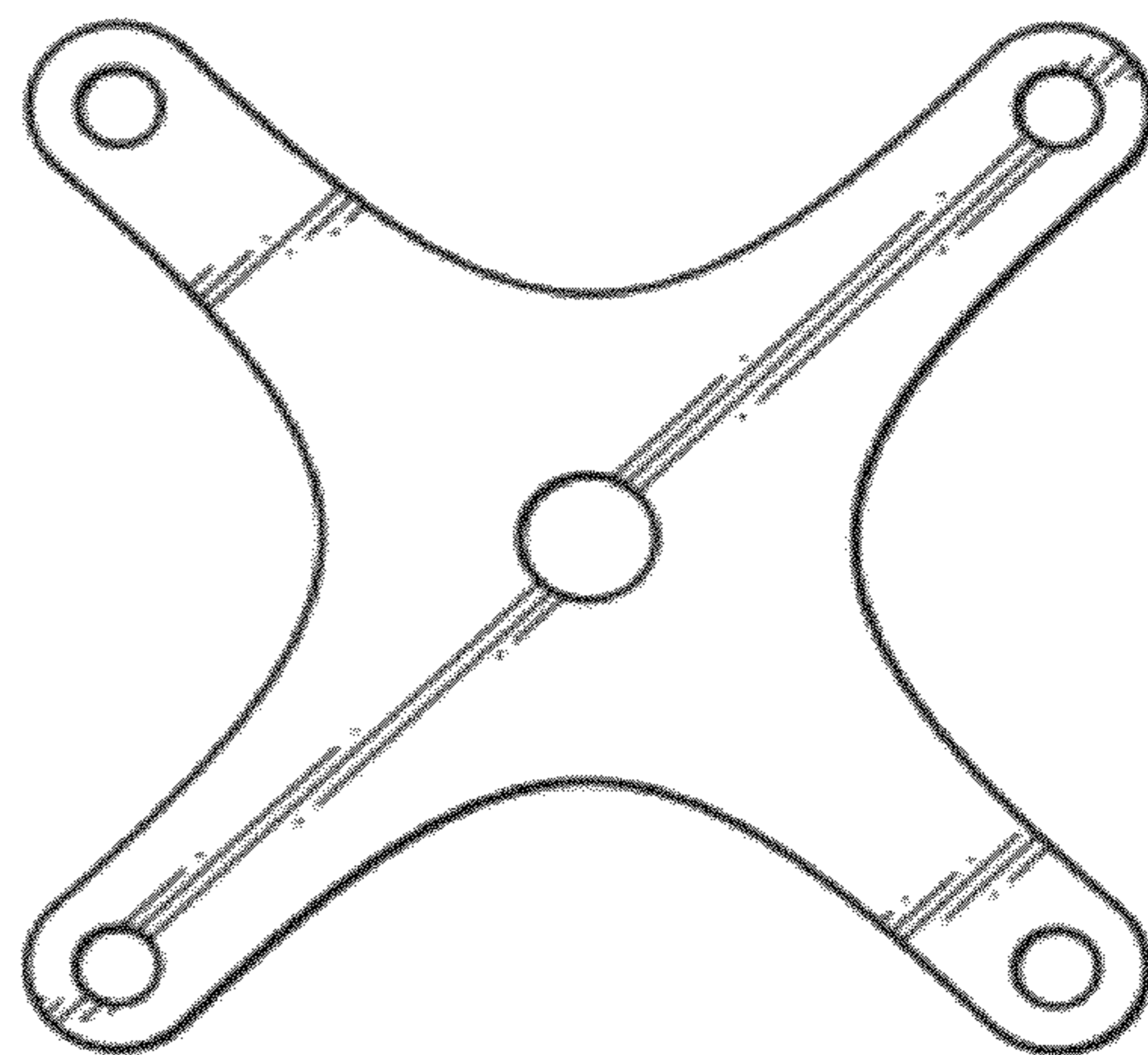


Figure 2



Figure 3

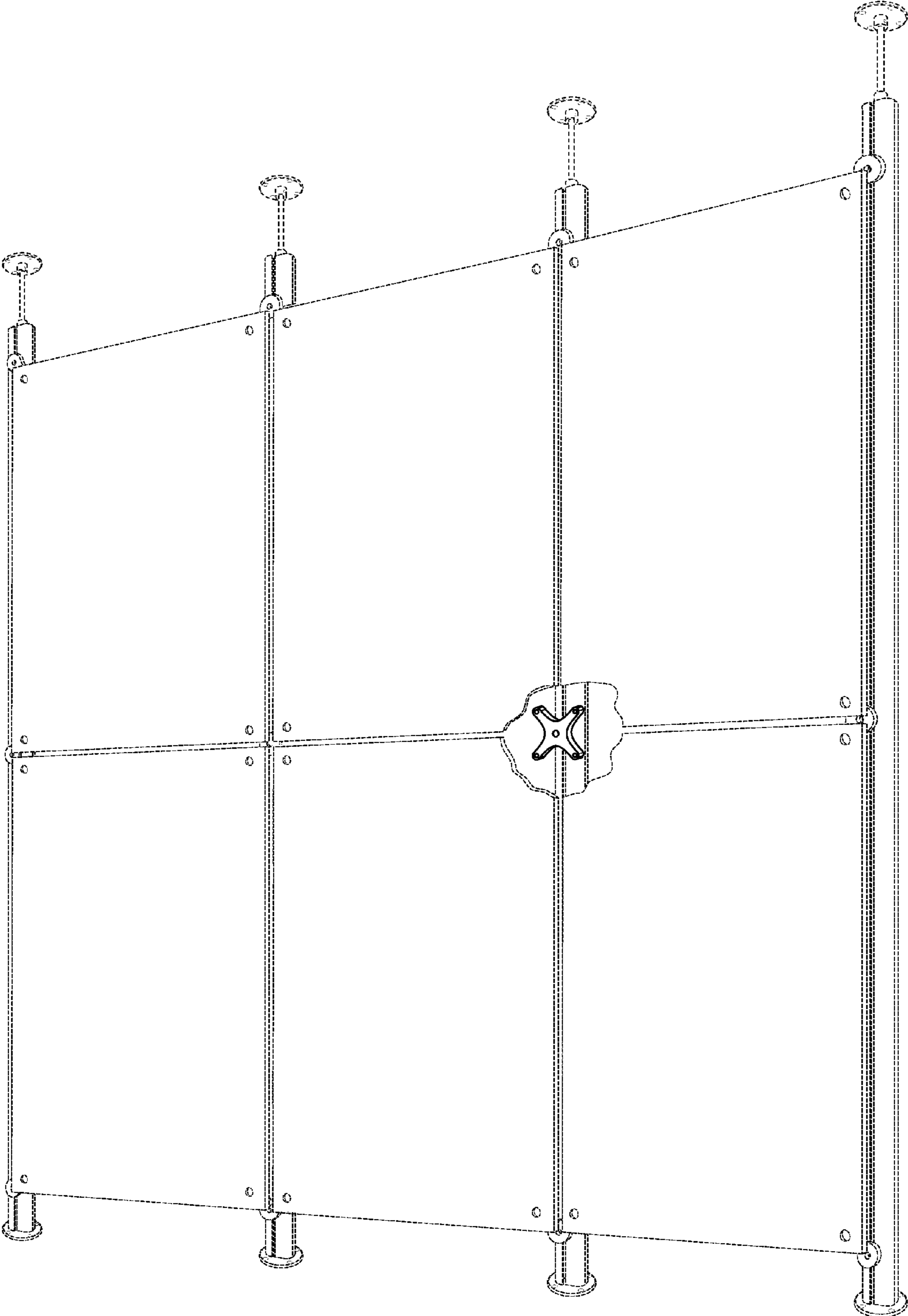


Figure 5