



US00D658039S

(12) **United States Design Patent**  
**Ghatikar et al.**

(10) **Patent No.:** **US D658,039 S**

(45) **Date of Patent:** **\*\* Apr. 24, 2012**

(54) **BRACKET FOR MODULAR PANEL MOUNTING SYSTEM**

(75) Inventors: **Venugopal R. Ghatikar**, Salt Lake City, UT (US); **William Gatti**, Sandy, UT (US); **Michael Damen**, Rochetoirin (FR); **Guillaume Martin**, Rochetoirin (FR)

(73) Assignee: **3form, Inc.**, Salt Lake City, UT (US)

(\*\*) Term: **14 Years**

(21) Appl. No.: **29/339,985**

(22) Filed: **Jul. 10, 2009**

**Related U.S. Application Data**

(63) Continuation of application No. 12/028,584, filed on Feb. 8, 2008.

(51) **LOC (9) Cl.** ..... **08-05**

(52) **U.S. Cl.** ..... **D8/354**

(58) **Field of Classification Search** ..... D8/354, D8/382, 387, 349; D12/223; 160/135, 229.1, 160/351; 52/786.1, 204.7, 208, 786.13, 239; 211/187, 189, 192, 196, 86.01; 411/402, 411/403; 403/300, 305, 306, 205, 312, 388, 403/217, 169, 170, 173, 174, 294, 286, 404  
See application file for complete search history.

(56) **References Cited**

**U.S. PATENT DOCUMENTS**

1,382,505	A	6/1921	Hargey	
D58,666	S	8/1921	Eustis	
2,019,977	A *	11/1935	Winslow et al.	52/126.4
2,180,633	A	11/1939	Holt	
2,903,227	A	9/1959	Key	
3,168,772	A *	2/1965	Williams	249/42
3,221,678	A	12/1965	Doherty	
D227,342	S *	6/1973	Buckman	D8/355
3,762,116	A	10/1973	Anderson	
3,771,466	A	11/1973	Ferdinand et al.	
D229,745	S *	1/1974	Dean	D8/364

4,145,849	A	3/1979	Shindoll et al.	
4,185,430	A *	1/1980	Gartung	52/285.4
4,187,892	A	2/1980	Simmons	
4,188,758	A	2/1980	Swann	
4,416,093	A *	11/1983	Salkeld et al.	52/71
4,516,619	A	5/1985	Hasbrouck	
4,561,229	A *	12/1985	Gartung	52/239
4,610,560	A *	9/1986	Miller	403/119
4,648,766	A	3/1987	Wollar	
4,682,457	A *	7/1987	Spencer	52/239
D298,736	S	11/1988	Shiraishi	
D298,801	S	12/1988	Satoh	

(Continued)

**OTHER PUBLICATIONS**

Office Action mailed Oct. 19, 2010, U.S. Appl. No. 12/028,584, filed Feb. 8, 2008 (5 pages).

(Continued)

*Primary Examiner* — Mark Goodwin

(74) *Attorney, Agent, or Firm* — Workman Nydegger

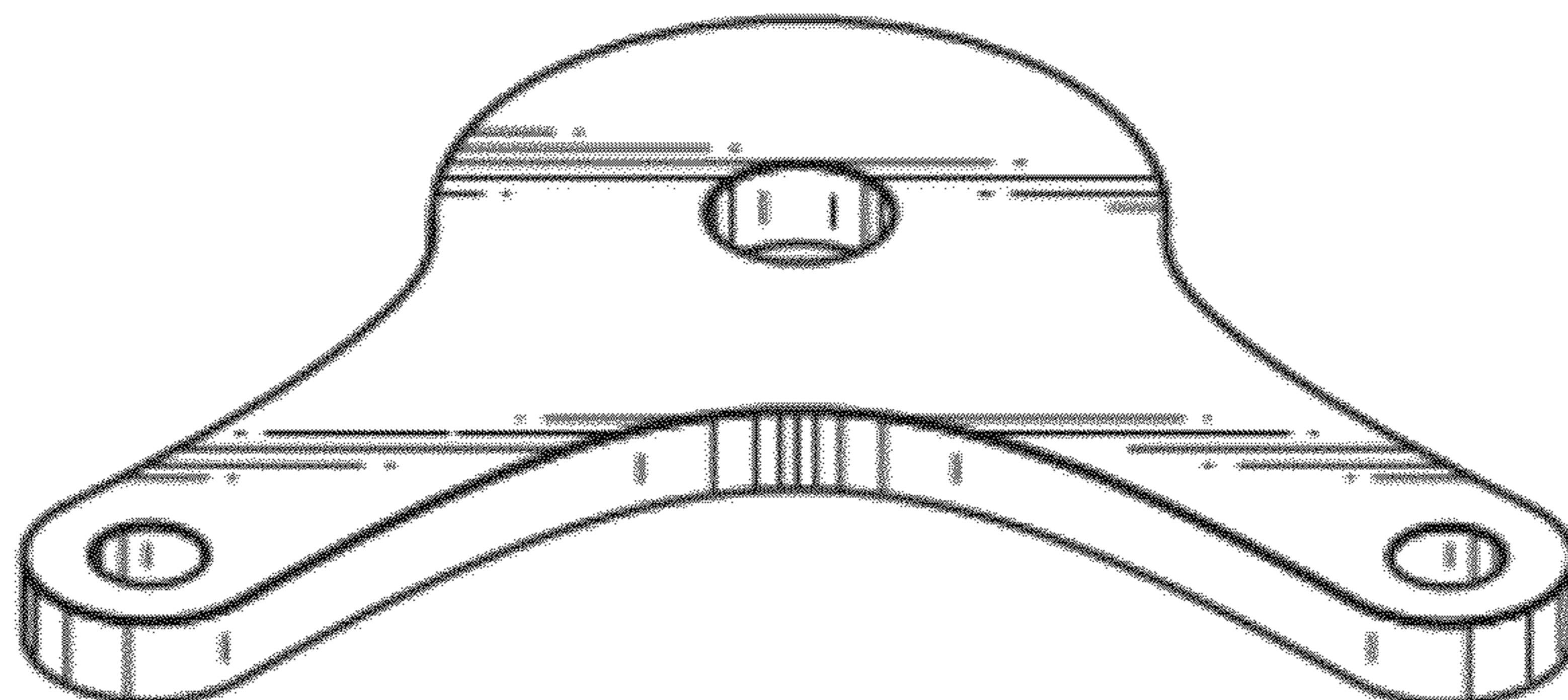
(57) **CLAIM**

The ornamental design for a bracket for modular panel mounting system, as shown and described.

**DESCRIPTION**

FIG. 1 is a front perspective view of a bracket for modular panel mounting system;  
FIG. 2 is a rear perspective view thereof;  
FIG. 3 is a top plan view thereof;  
FIG. 4 is a rear elevation view thereof, of which the left elevation view is a mirror image;  
FIG. 5 is a front elevation view thereof;  
FIG. 6 is a right elevation thereof;  
FIG. 7 is a left elevation view thereof; and,  
FIG. 8 shows a bracket for modular panel mounting system in a use condition as part of a panel system.  
The broken lines in the figures are included for environmental or illustrative purposes only and form no part of the claimed design.

**1 Claim, 2 Drawing Sheets**



# US D658,039 S

Page 2

## U.S. PATENT DOCUMENTS

4,819,817 A 4/1989 Mar  
5,095,862 A 3/1992 Murphy  
5,148,928 A 9/1992 Arnold  
D338,614 S \* 8/1993 Pierce ..... D8/382  
D347,382 S 5/1994 Carruthers  
5,347,778 A \* 9/1994 Bray ..... 52/239  
5,540,514 A 7/1996 Demars et al.  
5,558,501 A 9/1996 Wang et al.  
5,694,997 A \* 12/1997 Styger ..... 160/135  
5,782,282 A \* 7/1998 Chen ..... 160/206  
5,826,847 A 10/1998 Warner et al.  
5,924,469 A 7/1999 Whittemore  
D414,400 S \* 9/1999 Williams ..... D8/382  
D421,896 S 3/2000 Hamernik  
D426,146 S 6/2000 Bruns et al.  
6,086,051 A \* 7/2000 Wiebe et al. .... 256/25  
D439,137 S \* 3/2001 Ausilio ..... D8/354  
6,241,108 B1 6/2001 Nakatani et al.  
6,254,397 B1 7/2001 Elmer  
6,430,894 B1 8/2002 Chae et al.  
6,443,319 B1 9/2002 Sander  
6,467,225 B1 10/2002 Shimomura  
6,688,238 B1 2/2004 Alexiou  
6,711,871 B2 \* 3/2004 Beirise et al. .... 52/782.1  
D491,451 S 6/2004 Jien  
6,817,149 B2 \* 11/2004 Diffrient et al. .... 52/239  
D534,064 S \* 12/2006 Gimpel et al. .... D8/382  
7,165,690 B2 1/2007 Wu  
D553,478 S 10/2007 Liao  
7,293,667 B2 11/2007 Flynn  
D563,216 S 3/2008 Suehiro et al.

D590,702 S 4/2009 Giddings  
D590,703 S 4/2009 Suehiro et al.  
D592,043 S 5/2009 Suehiro et al.  
D593,850 S 6/2009 Kullman  
D594,735 S 6/2009 Hofer  
D596,926 S 7/2009 Venkateraman  
D604,614 S 11/2009 Janboecke  
D611,800 S 3/2010 Ghatikar  
D612,713 S 3/2010 Konecnik  
D623,506 S 9/2010 Ghatikar et al.  
2004/0173551 A1 9/2004 Wu  
2004/0226903 A1 11/2004 Wang

## OTHER PUBLICATIONS

Office Action mailed Nov. 10, 2010, U.S. Appl. No. 29/364,970, filed Jun. 30, 2010 (6 pages).

Office Action mailed May 7, 2010, U.S. Appl. No. 29/339,988, filed Jul. 10, 2006 (5 pages).

Office Action mailed Sep. 14, 2010, U.S. Appl. No. 29/339,982, filed Jul. 10, 2009 (6 pages).

Fluowall Online Brochure, Author Unknown, Guardamiglio, Italy [online] [retrieved on Mar. 25, 2008], 12 pgs. Retrieved from the Internet URL: <http://www.fluowall.it/fluowall.html>.

Sorbetti Online Display Brochure, Author Unknown, [online] [retrieved on Mar. 25, 2008], 45 pgs. Retrieved from the Internet URL: <http://www.bnind.com/sorbetti.asp>.

Sorbetti Online Tech Specs, Author Unknown, [online] [retrieved on Mar. 25, 2008], 12 pgs. Retrieved from the Internet URL: [http://www.bnind.com/downloads/pdfs/BN\\_Sorbetti\\_TechSpecs.pdf](http://www.bnind.com/downloads/pdfs/BN_Sorbetti_TechSpecs.pdf).

\* cited by examiner

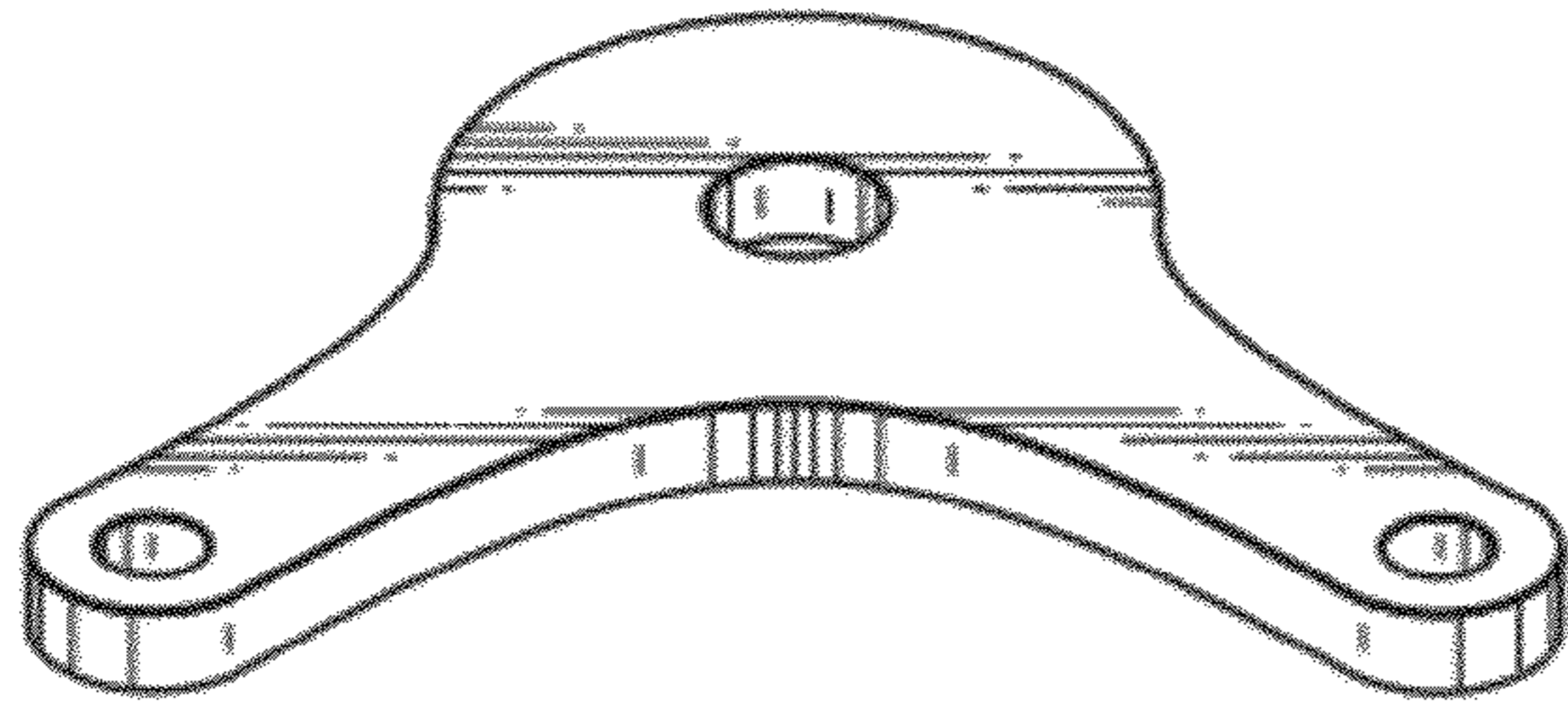


Figure 1

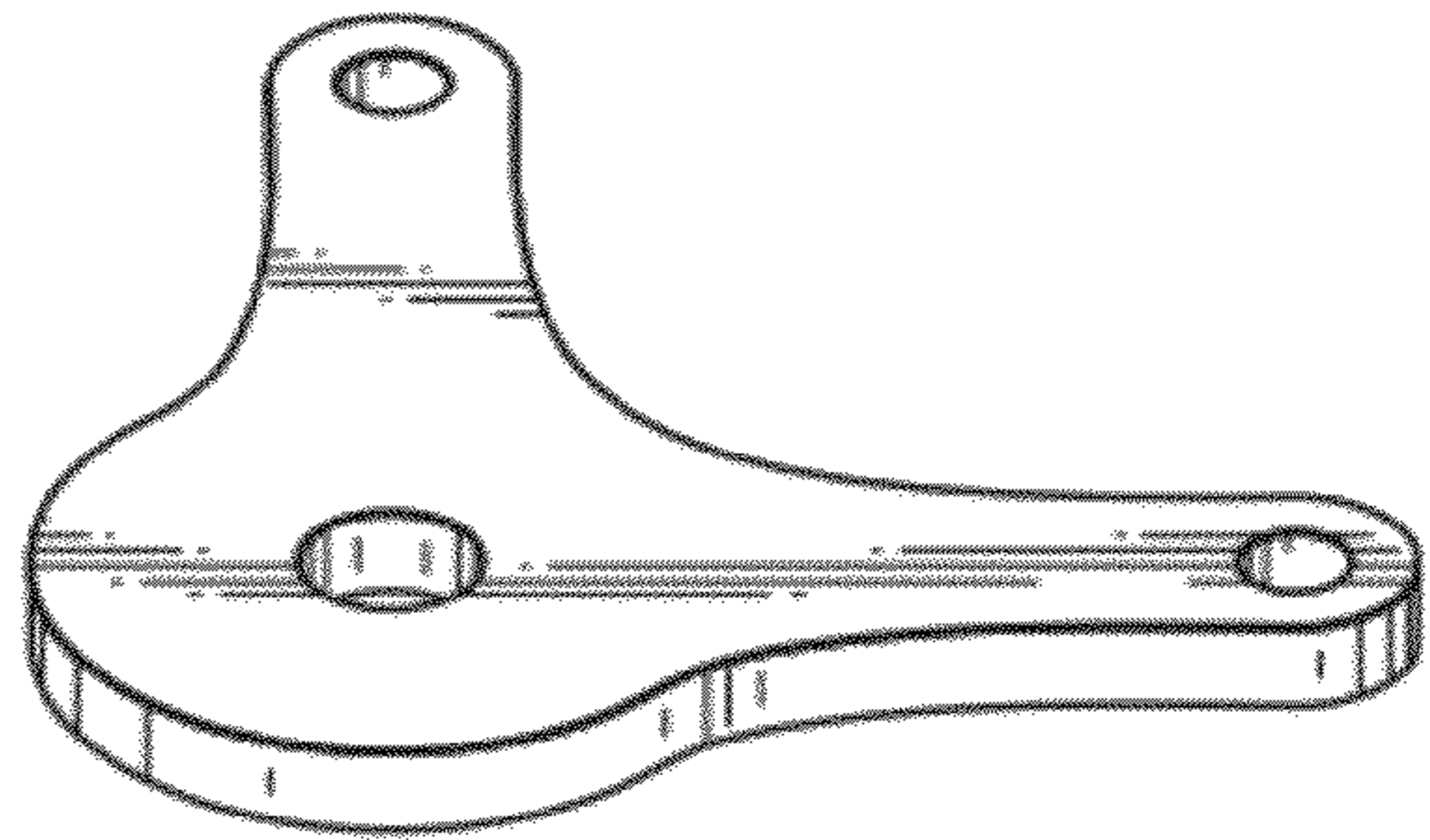


Figure 2



Figure 5



Figure 6

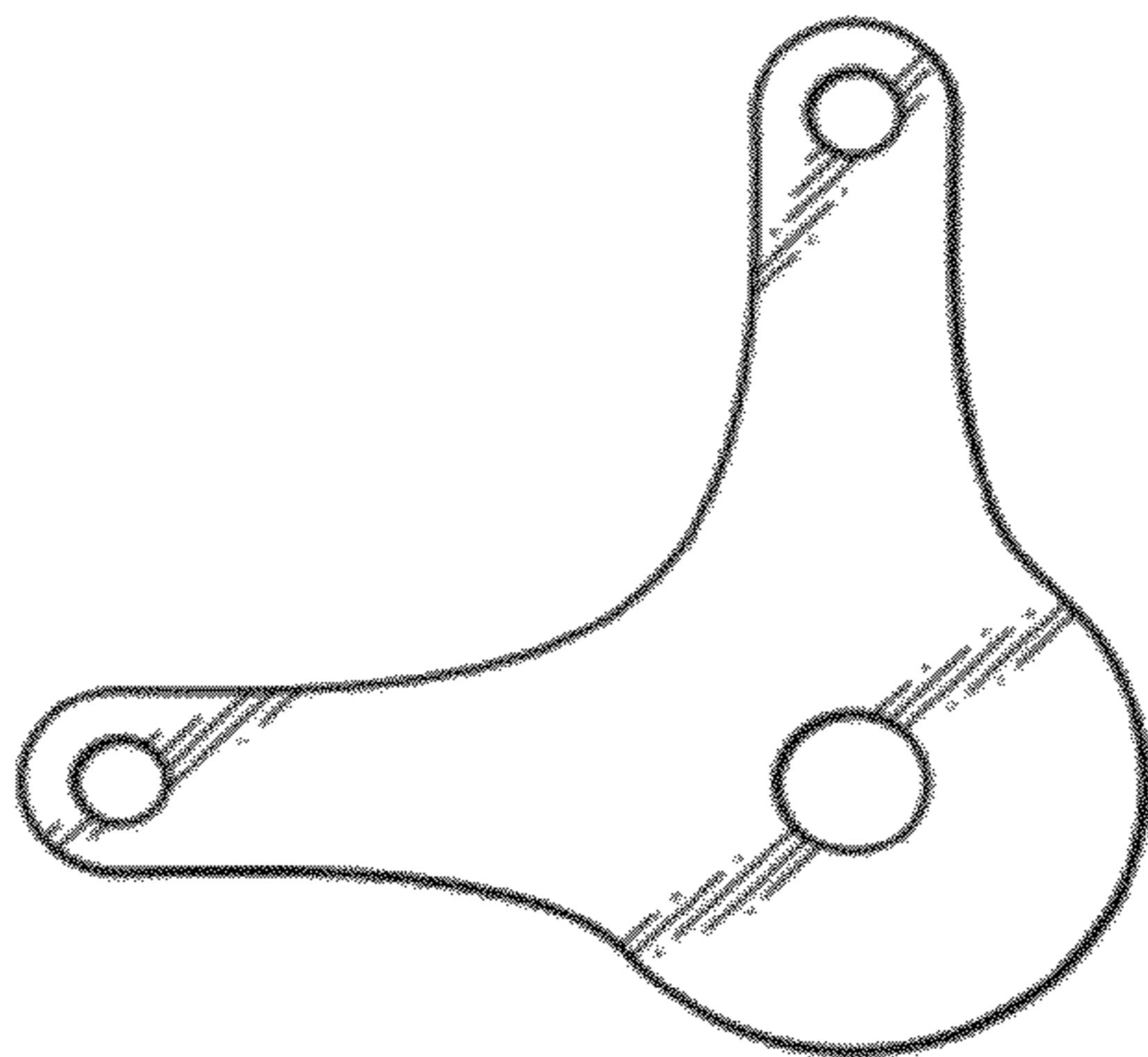


Figure 3



Figure 7



Figure 4

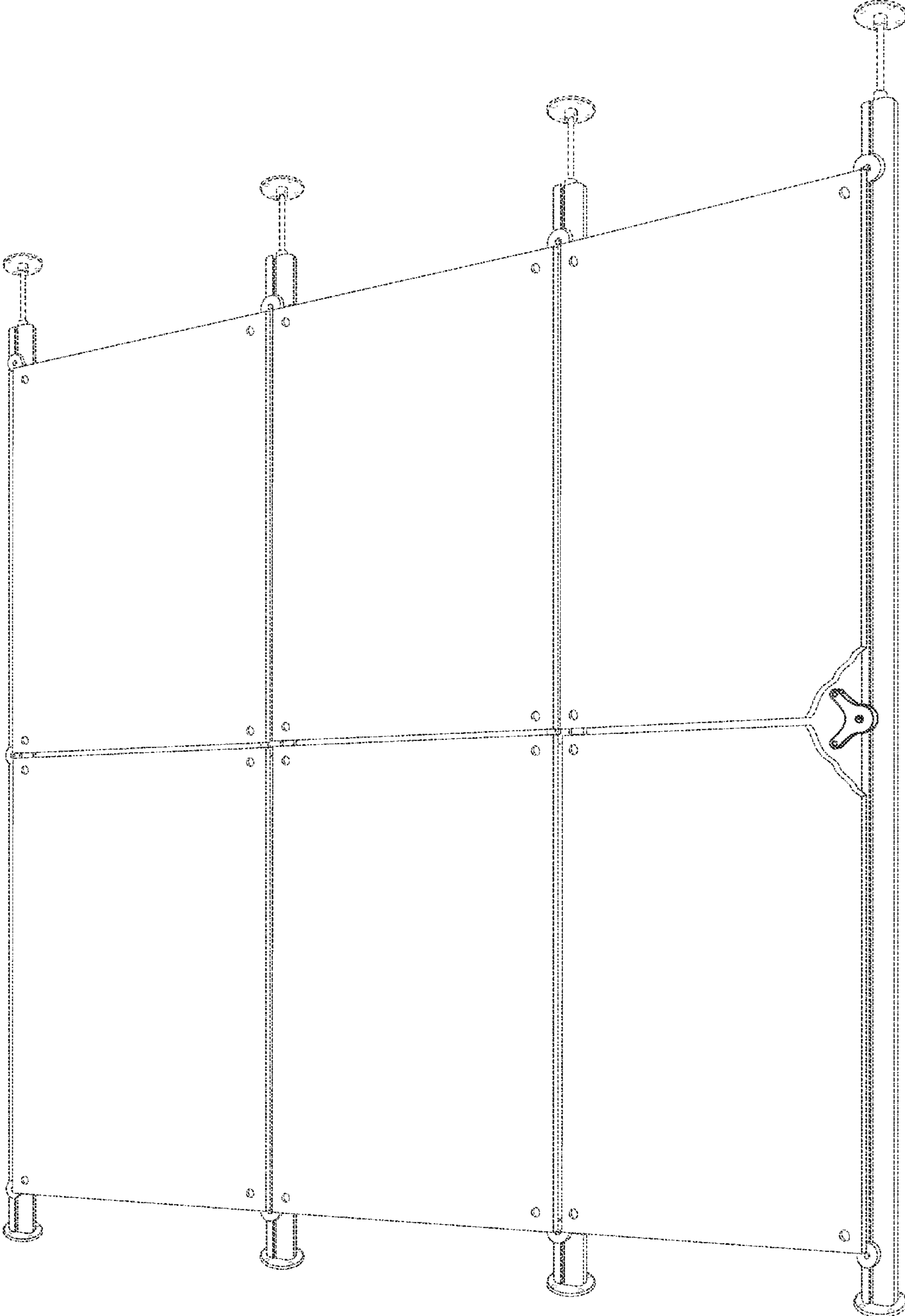


Figure 8