



US00D658037S

(12) **United States Design Patent**  
**Golling**

(10) **Patent No.:** **US D658,037 S**

(45) **Date of Patent:** **\*\* Apr. 24, 2012**

(54) **BICYCLE LOCK**

(75) **Inventor:** **Guido Golling**, Rottach-Egern (DE)

(73) **Assignee:** **ABUS August Bremicker Soehne KG**,  
Wetter-Volmarstein (DE)

(\*\*) **Term:** **14 Years**

(21) **Appl. No.:** **29/394,356**

(22) **Filed:** **Jun. 16, 2011**

(51) **LOC (9) Cl.** ..... **08-07**

(52) **U.S. Cl.** ..... **D8/339; D3/331; D3/334**

(58) **Field of Classification Search** ..... D8/330,  
D8/331, 334, 343, 349; 70/14, 20, 31, 35,  
70/57, 57.1, 58, 233, 237-258, DIG. 37,  
70/DIG. 26

See application file for complete search history.

D511,673 S 11/2005 Lai  
D579,756 S 11/2008 Hentschel et al.  
7,581,787 B2 \* 9/2009 Livne ..... 297/215.13  
D606,840 S \* 12/2009 Gould ..... D8/331  
7,624,605 B2 \* 12/2009 Vitali ..... 70/233

**FOREIGN PATENT DOCUMENTS**

DE 102005040066 A1 3/2007  
EP 000396452-0001 10/2005  
EP 000396452-0002 10/2005  
EP 000396452-0003 10/2005

**OTHER PUBLICATIONS**

“Specialized—Bicycles & Equipment Spring 2003”.  
“ABUS Gesamtkatalog 2010” pp. 1, 2, 16-19, 173.

\* cited by examiner

*Primary Examiner* — Prabhakar Deshmukh

(74) *Attorney, Agent, or Firm* — Gifford, Krass, Sprinkle,  
Anderson & Citkowski, P.C.

(56) **References Cited**

**U.S. PATENT DOCUMENTS**

1,892,964 A \* 1/1933 Rainey ..... 70/25  
3,747,376 A \* 7/1973 White, Jr. .... 70/18  
D274,977 S \* 8/1984 Devine ..... D8/331  
5,018,374 A 5/1991 Montano  
5,069,049 A \* 12/1991 Shieh ..... 70/227  
5,076,531 A 12/1991 Delaney  
5,347,835 A \* 9/1994 Dewey ..... 70/202  
5,433,092 A 7/1995 Kuo  
5,475,993 A 12/1995 Kuo  
5,488,844 A \* 2/1996 Winner ..... 70/18  
5,511,399 A \* 4/1996 Lynn ..... 70/19  
D402,180 S 12/1998 Chappell  
5,913,906 A \* 6/1999 Strocchi ..... 70/18  
D439,133 S 3/2001 Hoyland  
D477,525 S \* 7/2003 Ling ..... D8/330  
D498,132 S 11/2004 Lai  
6,820,448 B1 11/2004 Hsieh

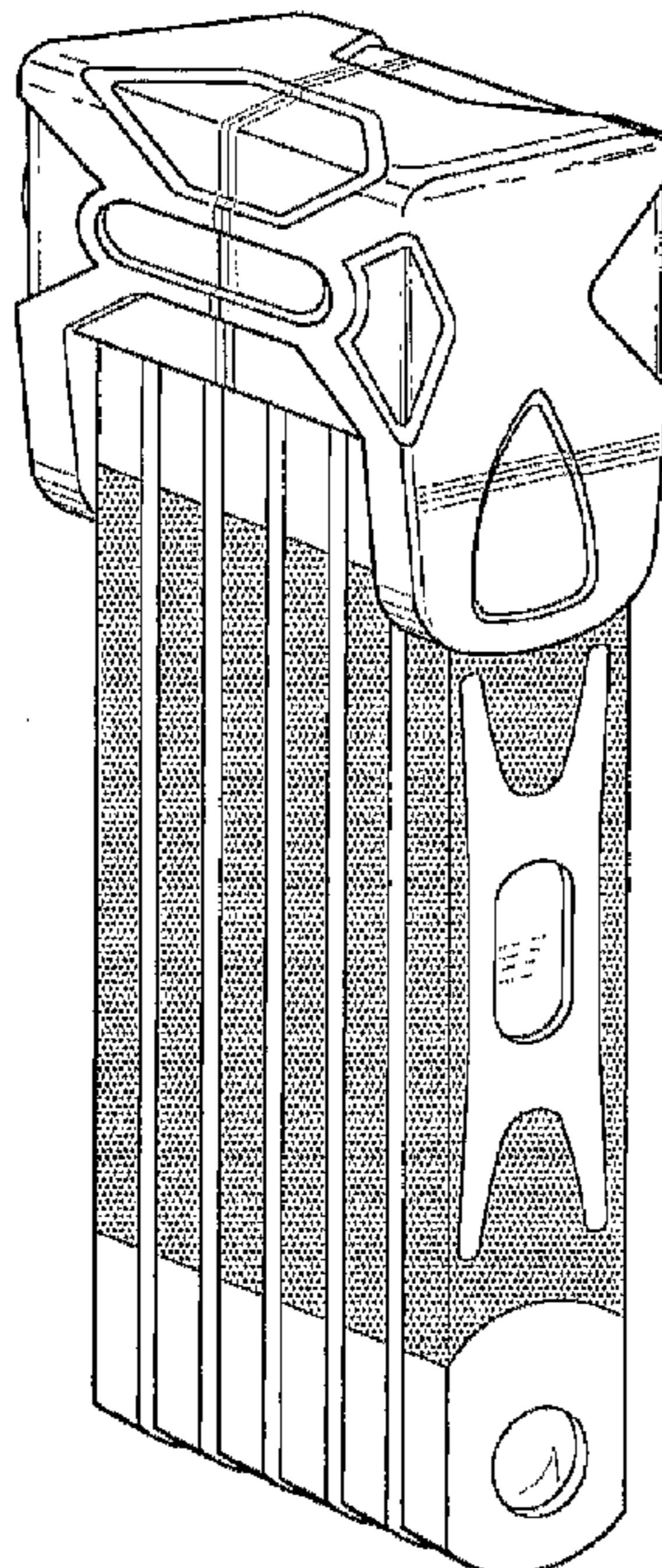
(57) **CLAIM**

The ornamental design for a bicycle lock, as shown and described.

**DESCRIPTION**

FIG. 1 is a top, front, right perspective view of a bicycle lock showing my new design;  
FIG. 2 is a top, rear, left perspective view thereof;  
FIG. 3 is a top plan view thereof;  
FIG. 4 is a left side elevational view thereof;  
FIG. 5 is a rear elevational view thereof;  
FIG. 6 is a right side elevational view thereof; and,  
FIG. 7 is a bottom plan view thereof.

**1 Claim, 2 Drawing Sheets**



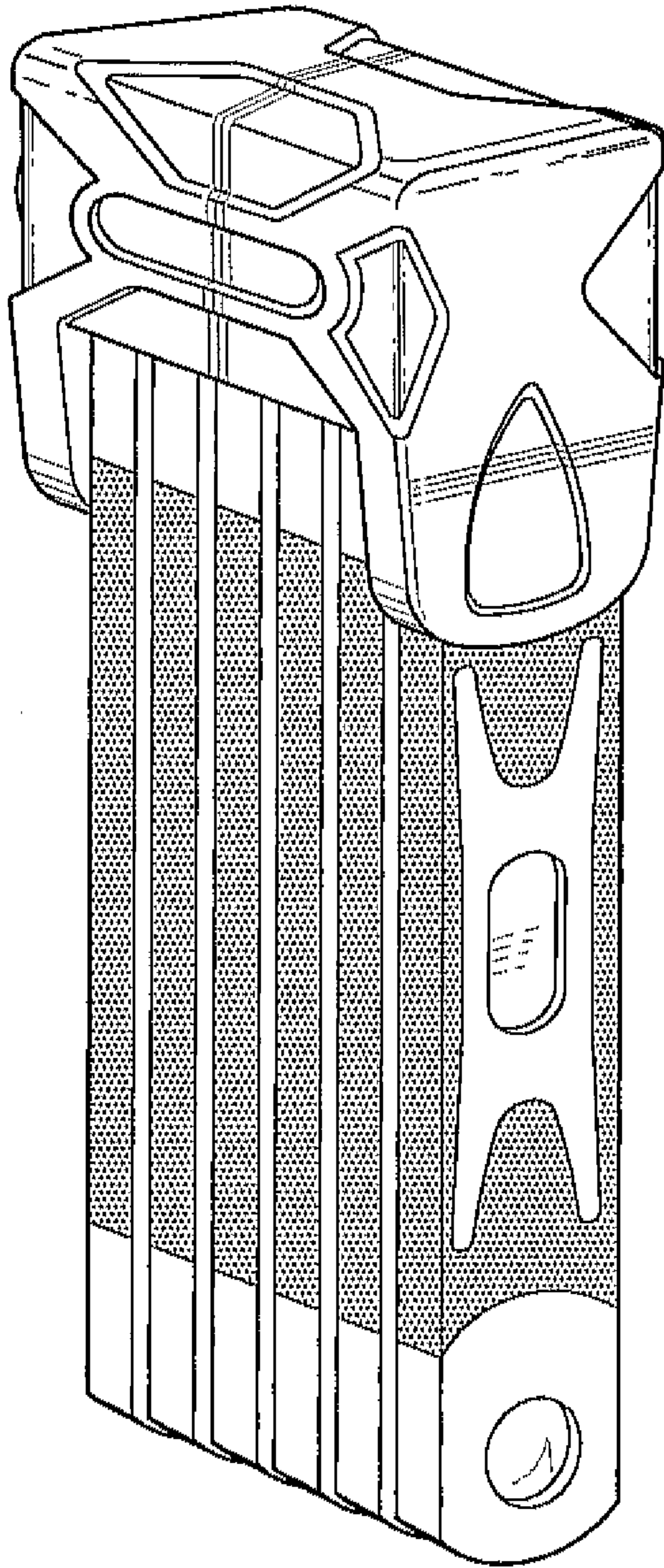


Fig-1

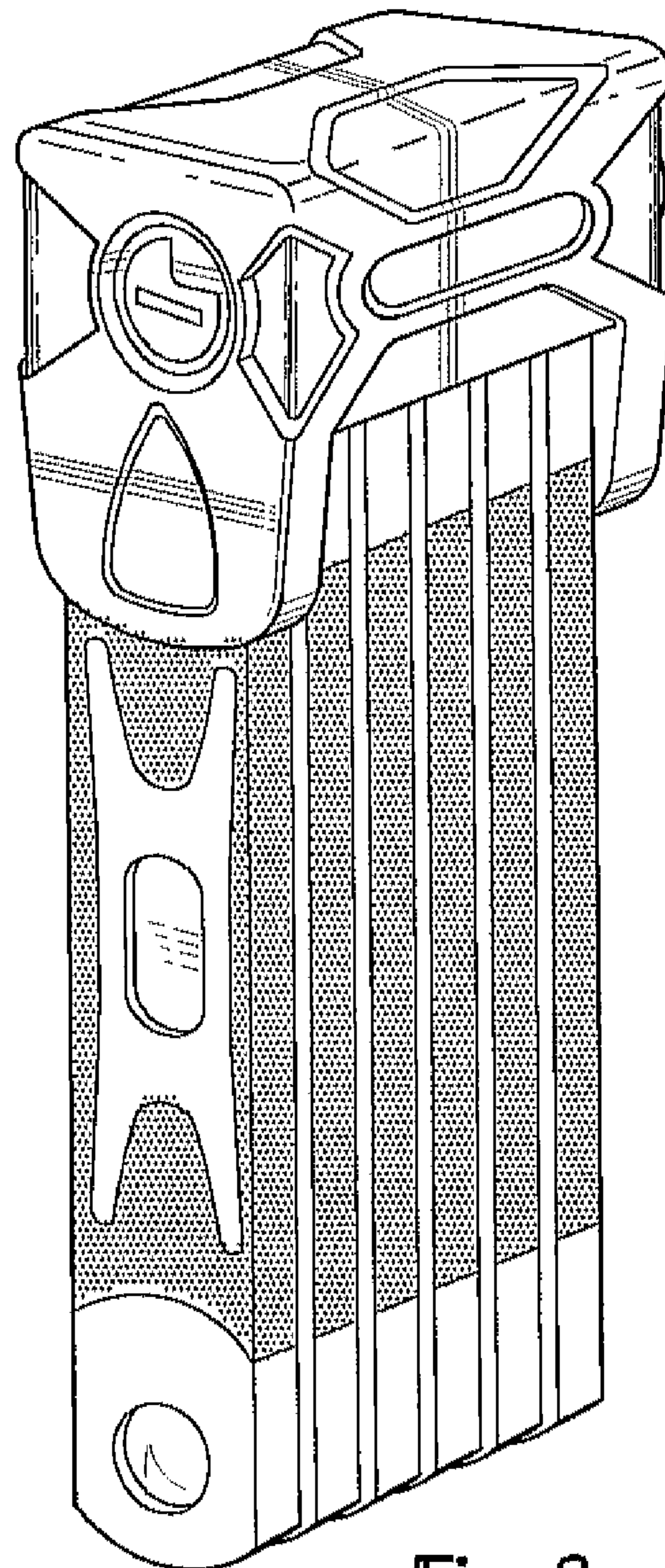


Fig-2

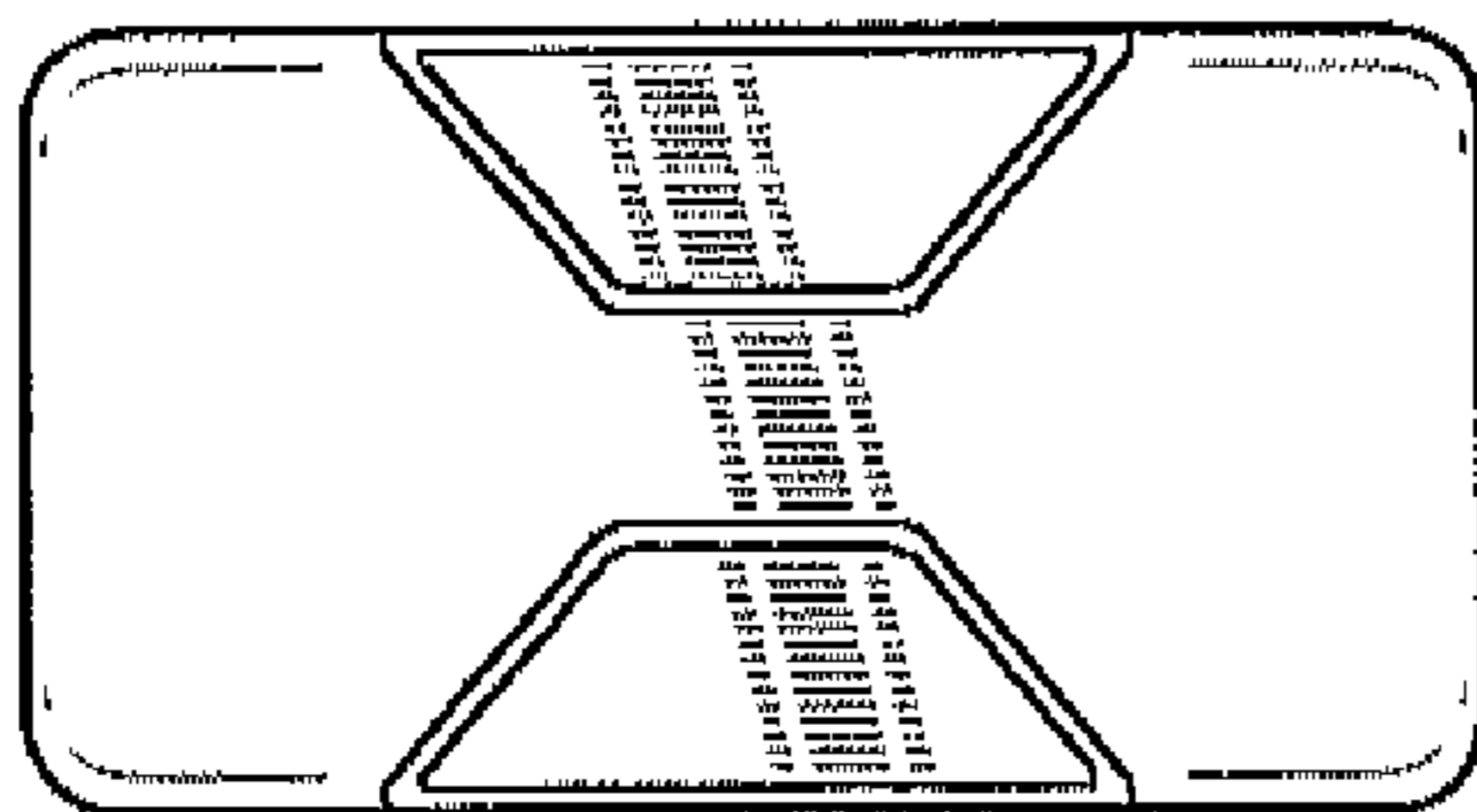


Fig-3

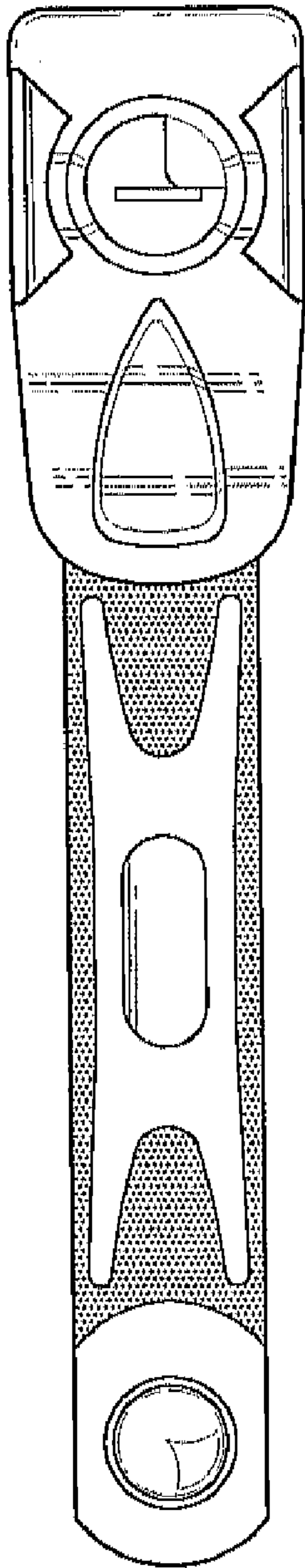


Fig-4

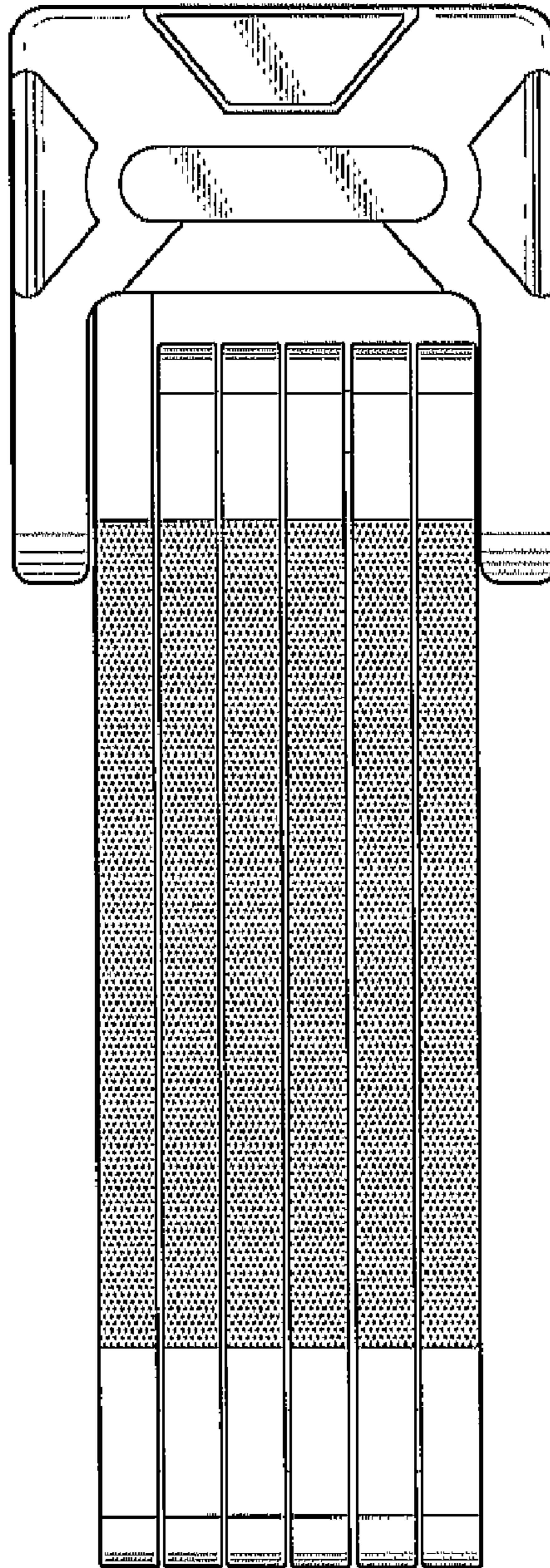


Fig-5

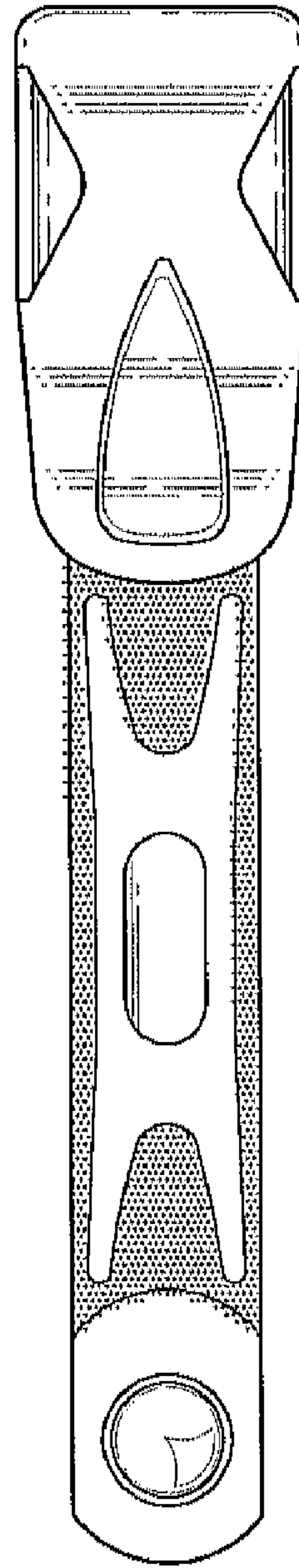


Fig-6

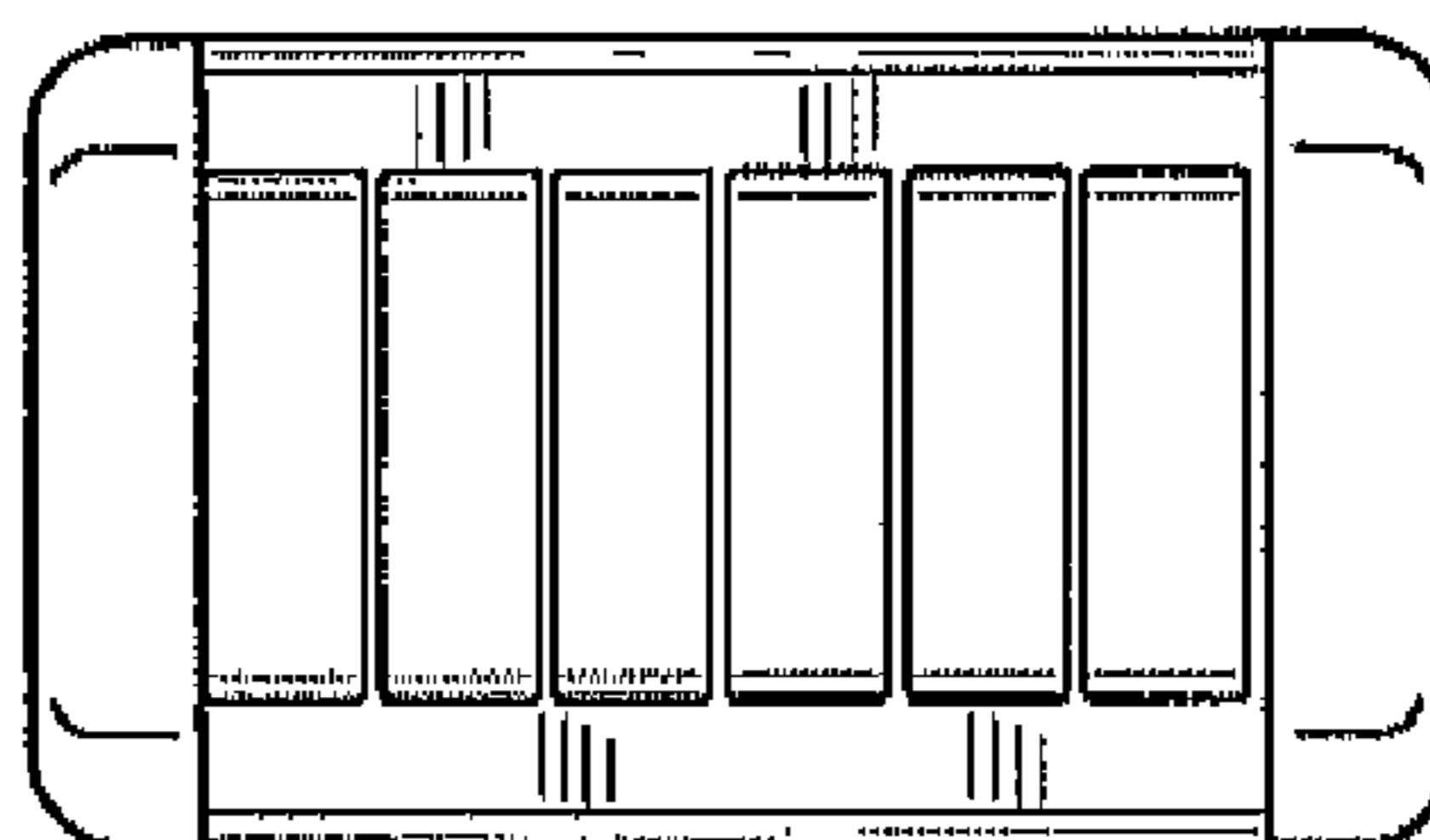


Fig-7