



US00D658036S

(12) **United States Design Patent**
Fong

(10) **Patent No.:** **US D658,036 S**

(45) **Date of Patent:** **** Apr. 24, 2012**

(54) **THEFT PREVENTION DEVICE**

(75) **Inventor:** **Gary M. Fong**, Seattle, WA (US)

(73) **Assignee:** **Gary Fong Photographic, Inc.**,
Kelowna BC (CA)

(**) **Term:** **14 Years**

(21) **Appl. No.:** **29/356,162**

(22) **Filed:** **Feb. 19, 2010**

(51) **LOC (9) Cl.** **08-07**

(52) **U.S. Cl.** **D8/339; D8/330**

(58) **Field of Classification Search** D8/330–348;
70/14, 57, 57.1, 52, 128, 129, 333 R, 334,
70/416, 429, 430, 158–173; 206/1.5
See application file for complete search history.

(56) **References Cited**

U.S. PATENT DOCUMENTS

4,656,848	A *	4/1987	Rose	70/58
5,194,844	A *	3/1993	Zelda	340/426.11
6,375,071	B1 *	4/2002	Kim	232/47
D499,633	S *	12/2004	Steinberger, Jr.	D8/330
6,931,895	B1 *	8/2005	Ahn	70/57.1
D521,848	S *	5/2006	Anderson	D8/330
D523,732	S *	6/2006	Farrar et al.	D8/346
D588,900	S *	3/2009	Knox	D8/330
7,526,931	B2 *	5/2009	Burdett et al.	70/57.1
7,560,642	B2 *	7/2009	Ygnelzi et al.	174/45 R
D609,076	S *	2/2010	Stevenson et al.	D8/330
7,975,515	B2 *	7/2011	Ygnelzi et al.	70/168

* cited by examiner

Primary Examiner — Prabhakar Deshmukh

(74) *Attorney, Agent, or Firm* — Christie, Parker & Hale, LLP

(57) **CLAIM**

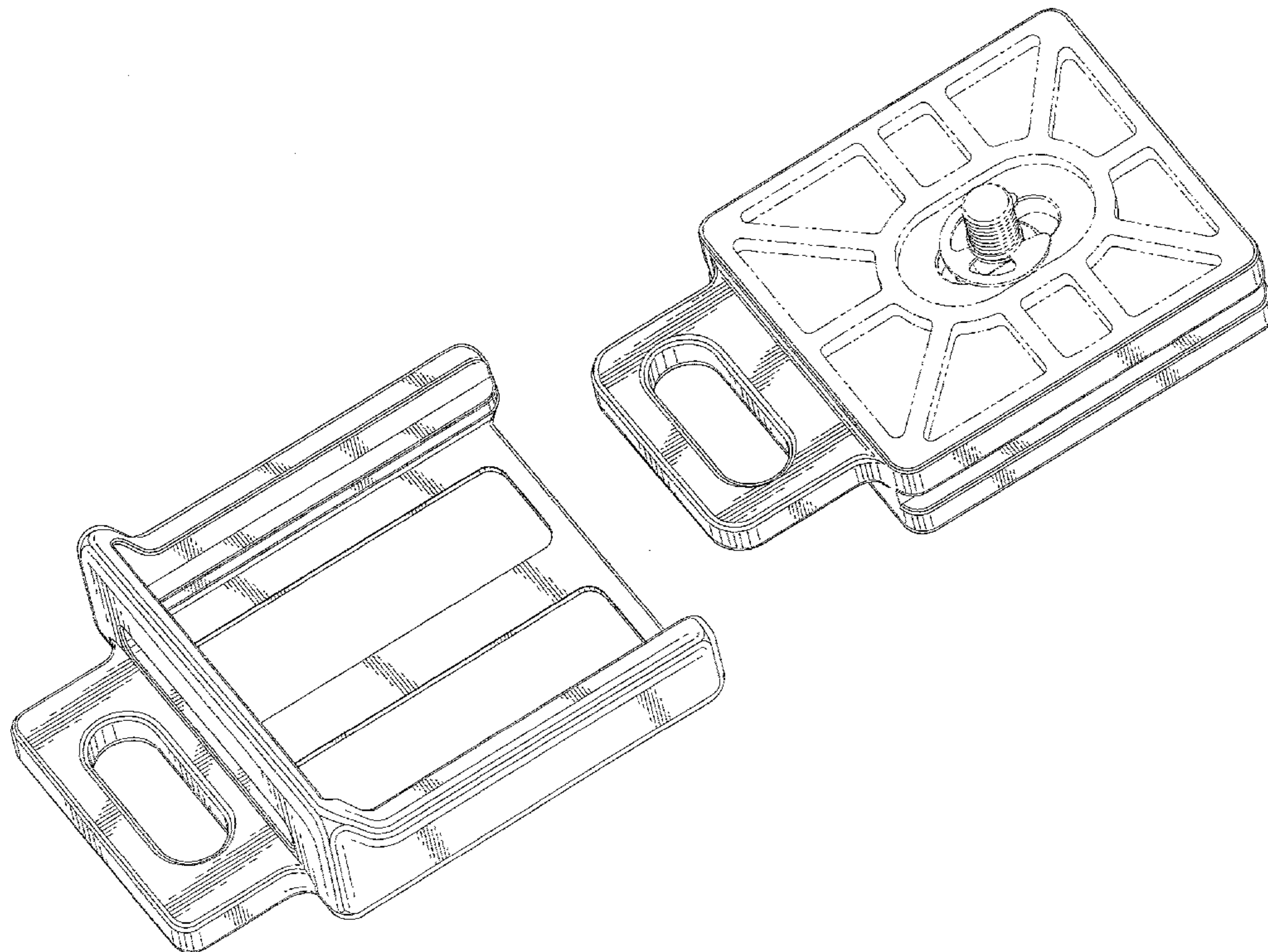
The ornamental design for a theft prevention device, as shown and described.

DESCRIPTION

FIG. 1 is a perspective view of a theft prevention device showing my new design;
 FIG. 2 is a top view thereof;
 FIG. 3 is a left side view thereof, the right side view being a minor image;
 FIG. 4 is a bottom view thereof;
 FIG. 5 is a front view thereof;
 FIG. 6 is a rear view thereof;
 FIG. 7 is a perspective view thereof, shown in an assembled state;
 FIG. 8 is a top view thereof;
 FIG. 9 is a left side view thereof, the right side view being a mirror image;
 FIG. 10 is a bottom view thereof;
 FIG. 11 is a front view thereof; and,
 FIG. 12 is a rear view thereof.

The shade lines adjacent to the shading define the bounds of the claimed design. Environmental features are shown for illustrative purposes only. None of the broken lines form part of the claimed design.

1 Claim, 9 Drawing Sheets



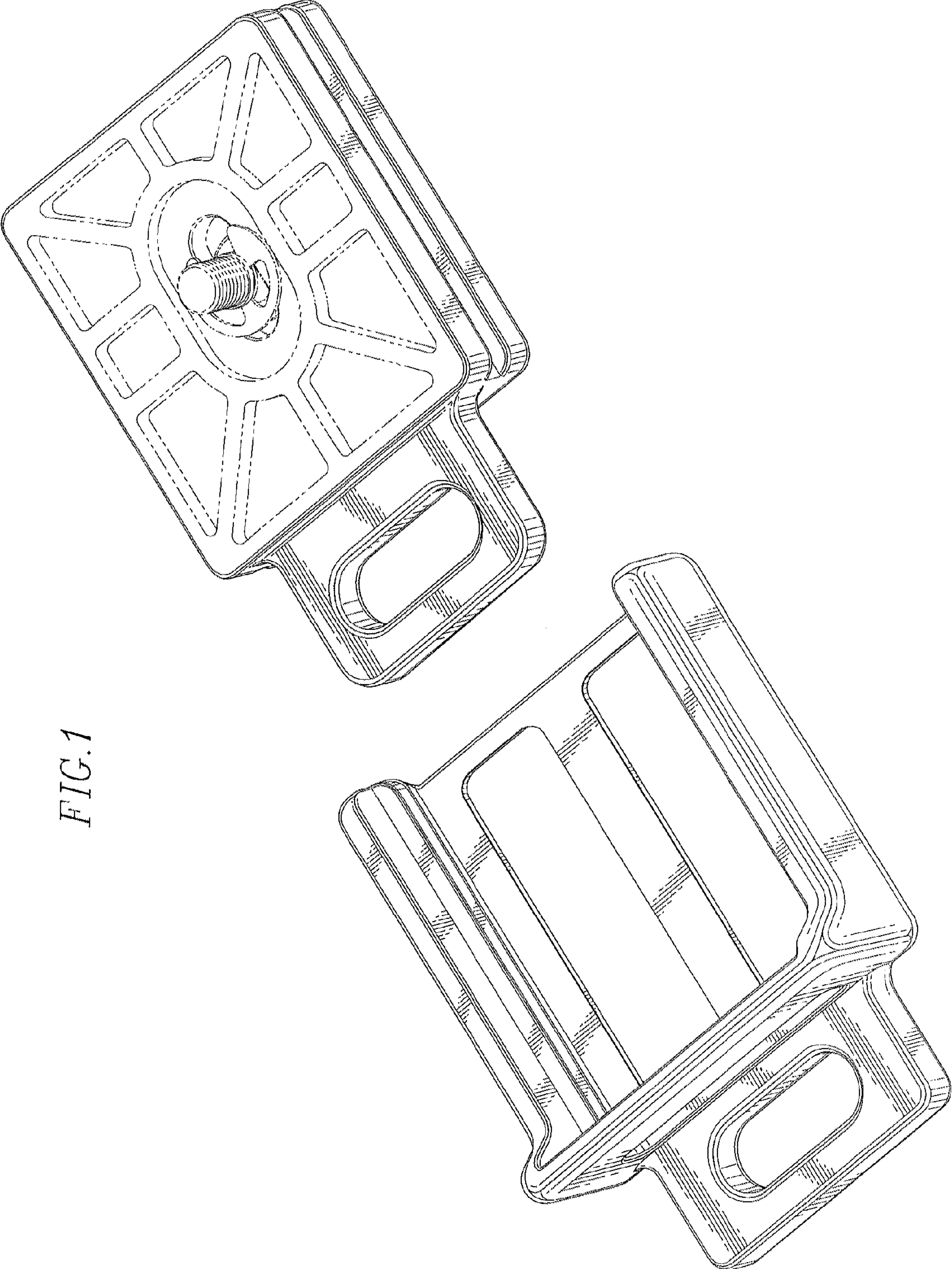


FIG. 1

FIG. 2

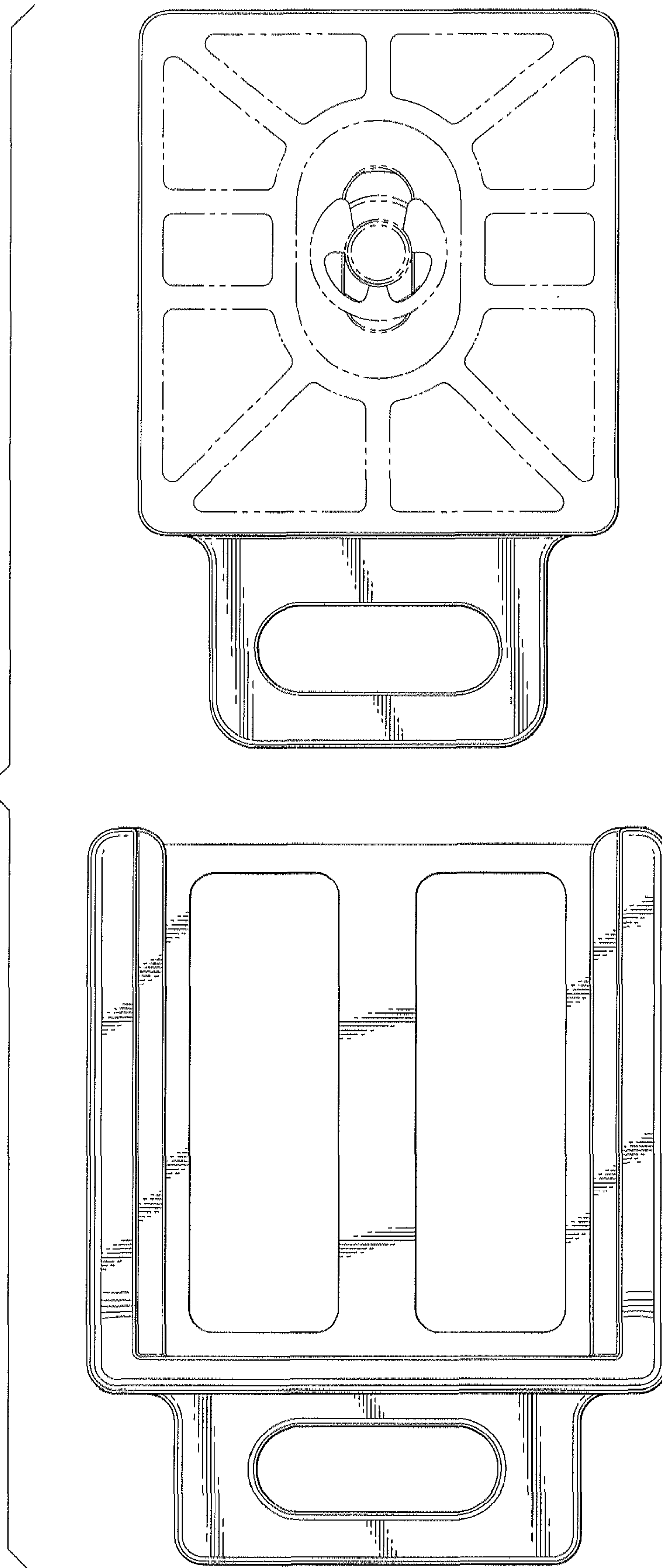


FIG. 3

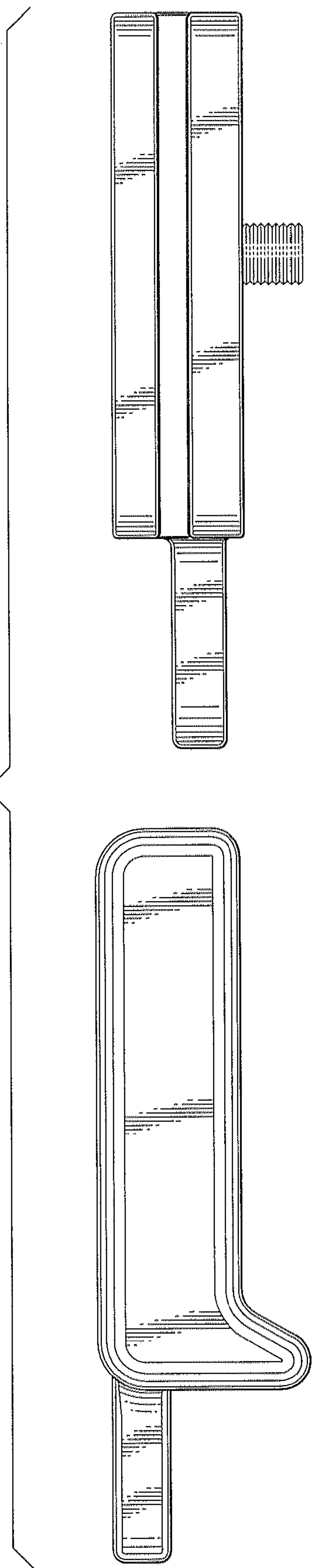


FIG. 4

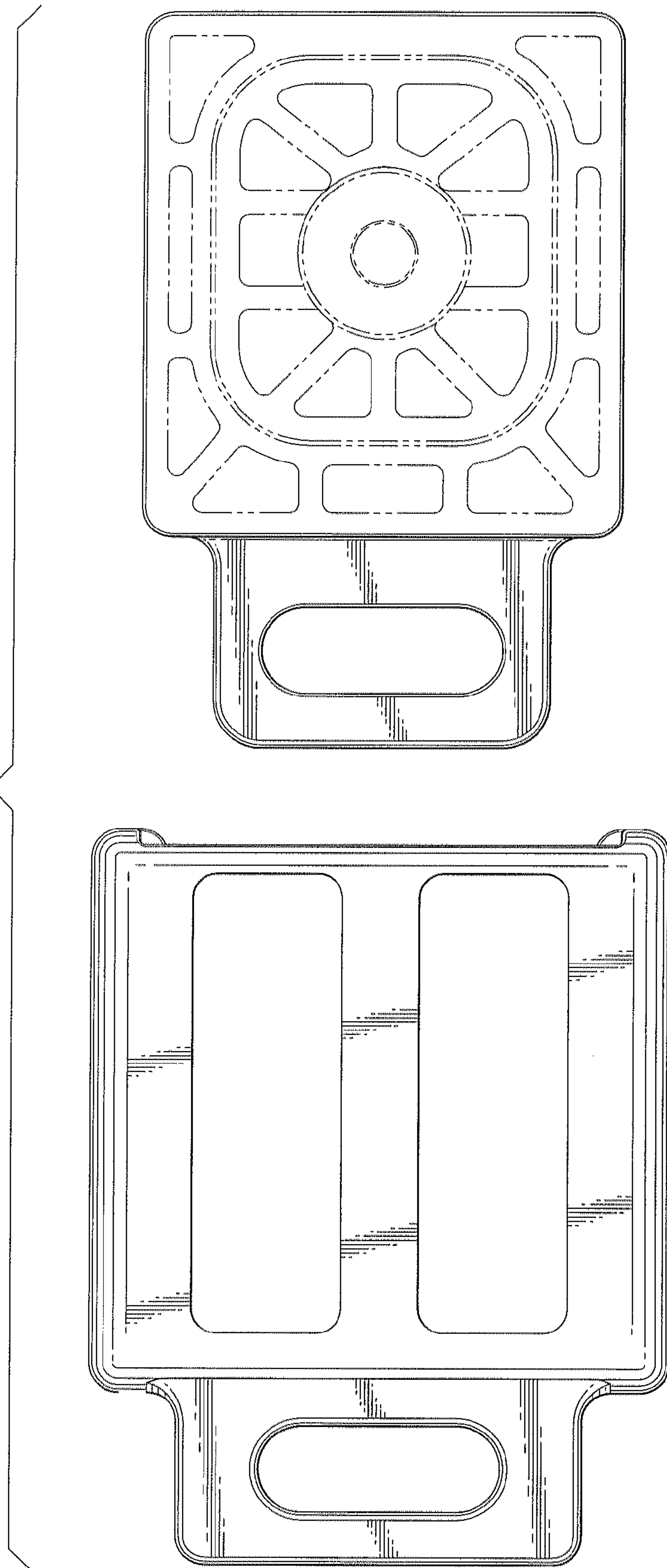


FIG. 5

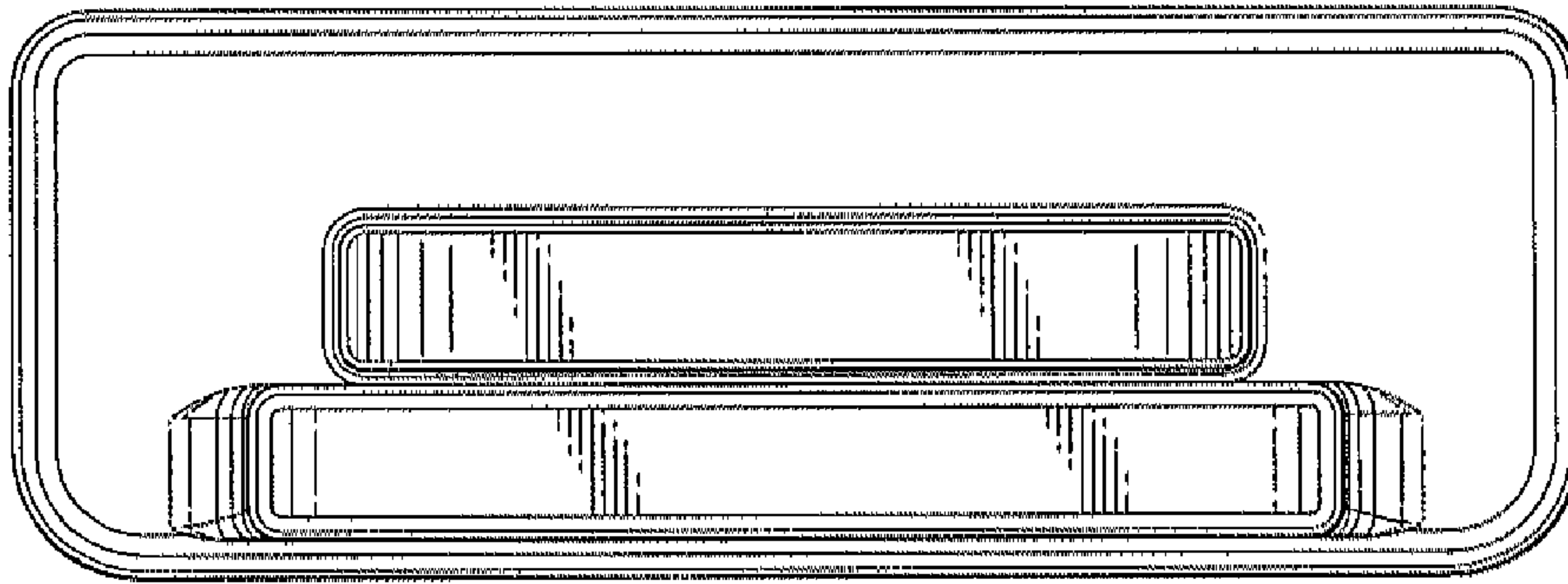


FIG. 6

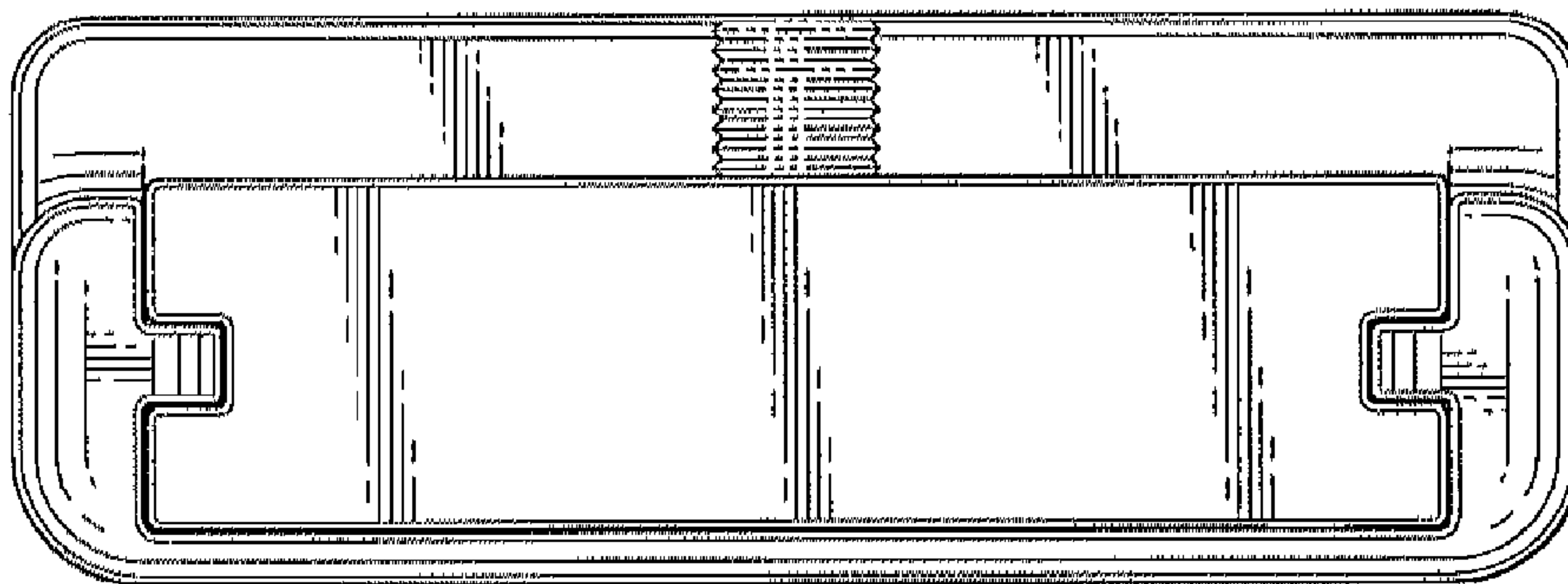


FIG. 7

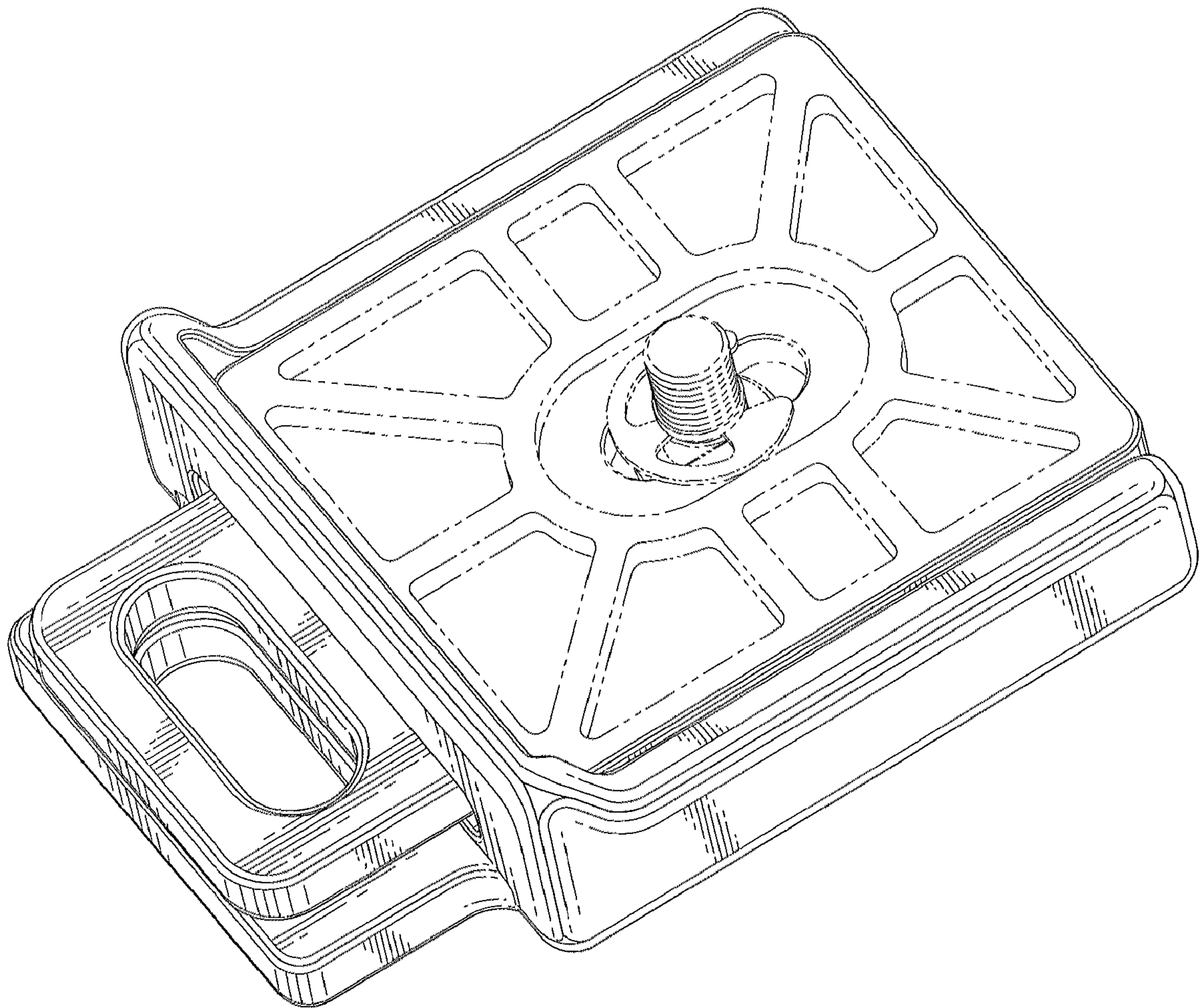


FIG. 8

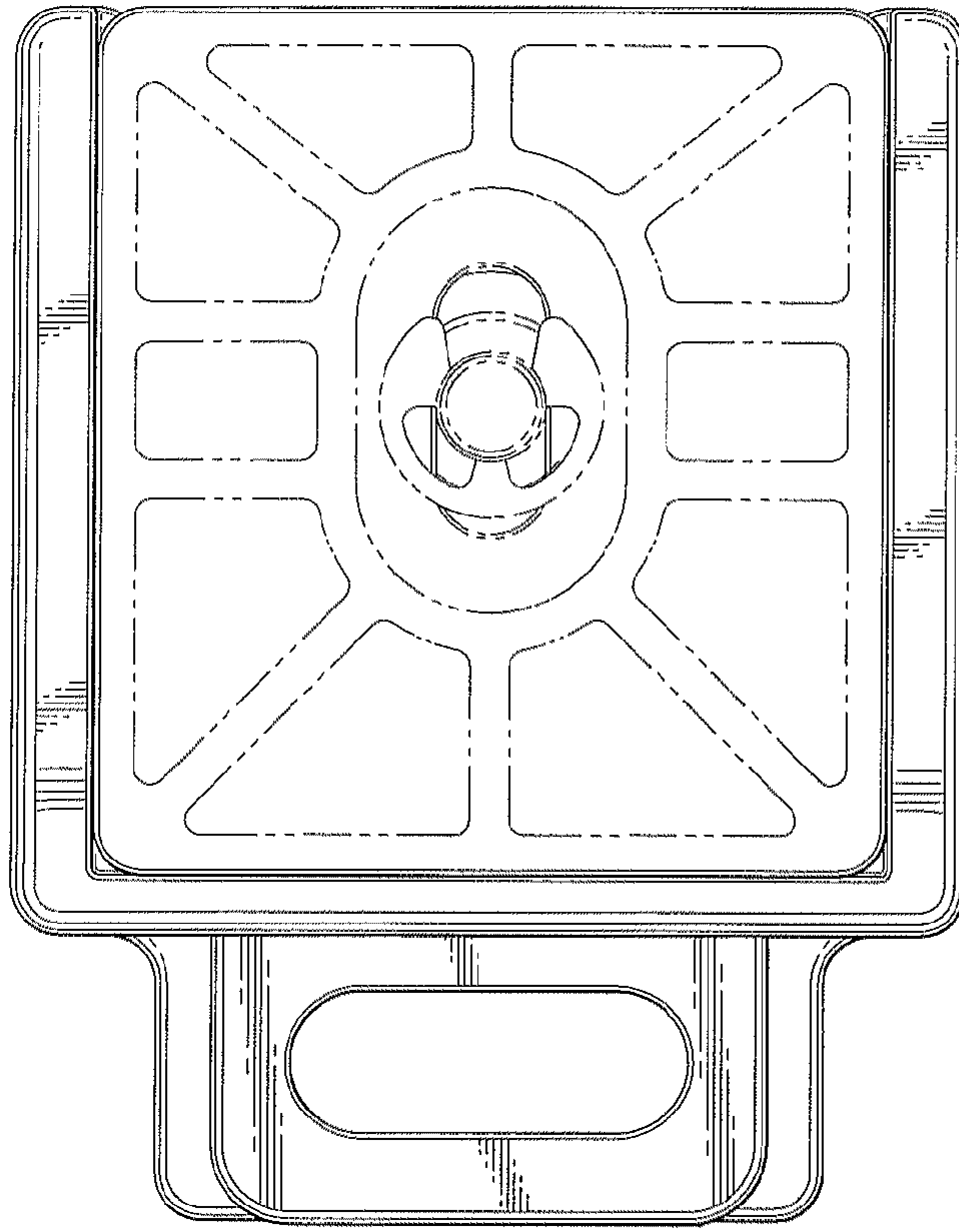


FIG. 10

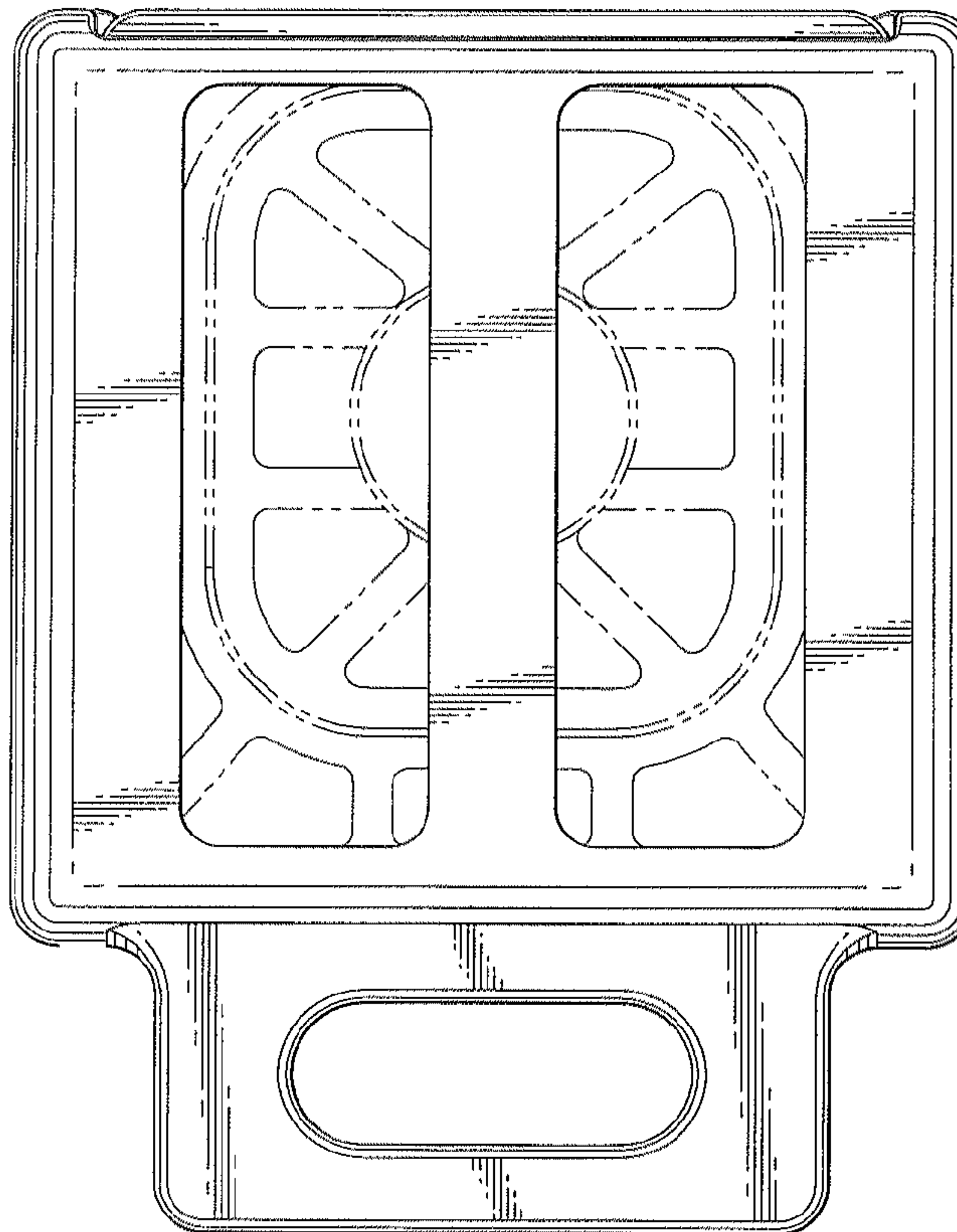


FIG. 9

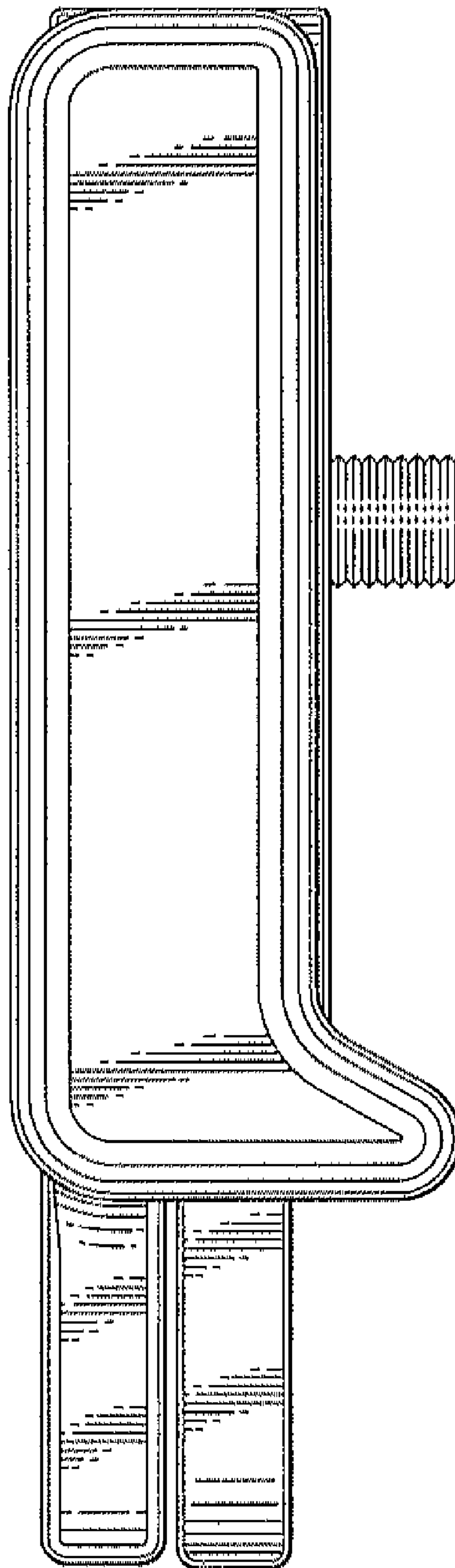


FIG. 11

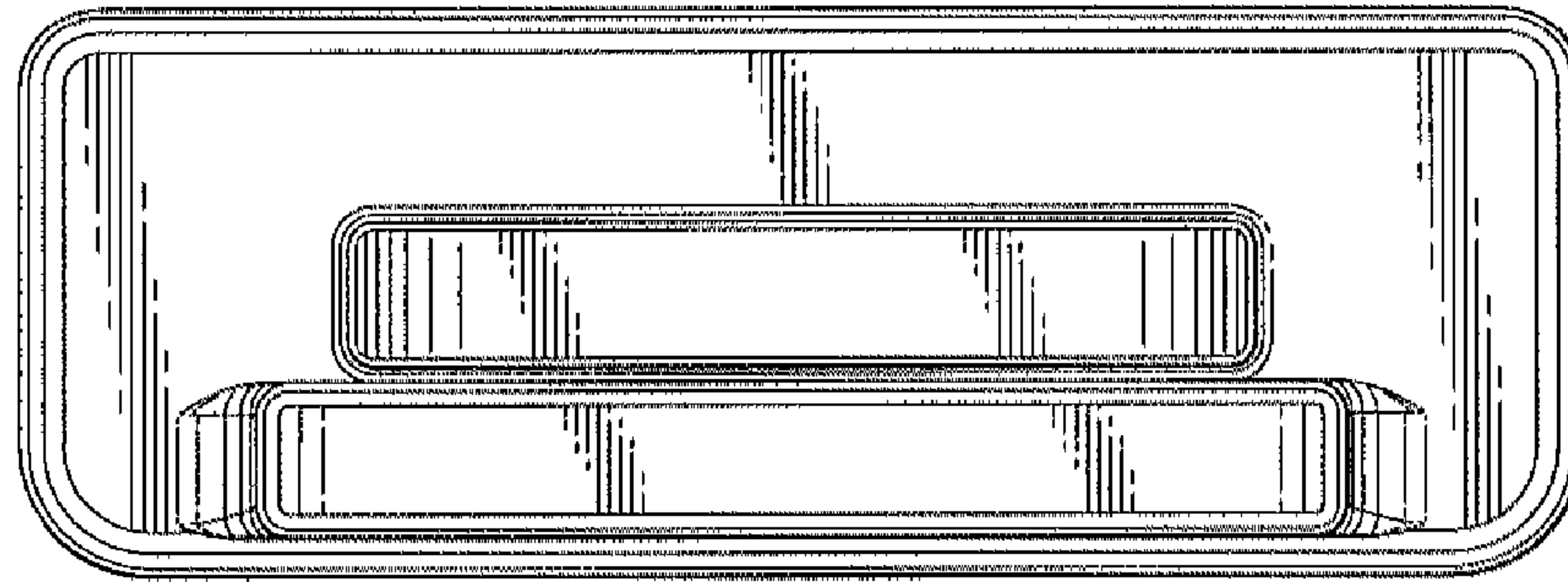


FIG. 12

