



US00D658032S

(12) **United States Design Patent**
Oshima et al.

(10) **Patent No.:** **US D658,032 S**
(45) **Date of Patent:** **** Apr. 24, 2012**

(54) **FITTING HINGE**

(75) Inventors: **Kazuyoshi Oshima**, Tokyo (JP); **Ken Shinmura**, Tokyo (JP)

(73) Assignee: **Sugatsune Kogyo Co., Ltd.**, Tokyo (JP)

(**) Term: **14 Years**

(21) Appl. No.: **29/371,556**

(22) Filed: **Apr. 20, 2011**

(30) **Foreign Application Priority Data**

Oct. 21, 2010 (JP) 2010-025307

(51) **LOC (9) Cl.** **08-06**

(52) **U.S. Cl.** **D8/329**

(58) **Field of Classification Search** D8/328,
D8/323, 324, 330, 325, 327, 331, 336, 353,
D8/338, 329; D16/334; 4/236, 240; 16/309,
16/235, 275, 244, 379, 390, 430, 241, 238,
16/245, 236, 243, 242, 385, 225, 250; 49/381;
D23/302, 303; 248/682; D10/69; 33/347,
33/365-390; D3/905

See application file for complete search history.

(56) **References Cited**

U.S. PATENT DOCUMENTS

D5,304 S *	10/1871	Suedekum	D8/327
D14,595 S *	1/1884	Shepard et al.	D8/328
2,050,045 A *	8/1936	Eden, Jr.	72/261
3,447,169 A *	6/1969	Watson	4/240
D372,852 S *	8/1996	Noll et al.	D8/328
D413,505 S *	9/1999	Perkins et al.	D8/323
D436,515 S *	1/2001	Sonntag	D8/328
D497,533 S *	10/2004	Wegman	D8/323
D497,534 S *	10/2004	Wegman	D8/323

D534,053 S *	12/2006	Sozzi	D8/329
D544,779 S *	6/2007	Loggen	D8/327
D584,130 S *	1/2009	Bertani	D8/328
7,591,044 B2 *	9/2009	Migli	16/235
7,594,300 B2 *	9/2009	Nallamottu	16/236
D605,926 S *	12/2009	Yamaguchi	D8/328
D625,576 S *	10/2010	Oshima	D8/329
D632,540 S *	2/2011	Oshima	D8/329
D632,945 S *	2/2011	Oshima	D8/329
D635,434 S *	4/2011	Oshima	D8/329

* cited by examiner

Primary Examiner — Cynthia Underwood

(74) *Attorney, Agent, or Firm* — Bacon & Thomas, PLLC

(57) **CLAIM**

The ornamental design for a fitting hinge, as shown and described.

DESCRIPTION

FIG. 1 is a perspective view of a fitting hinge embodying our new design, wherein elements shown in broken lines form no part of the claimed design;

FIG. 2 is a perspective view seen from rear side thereof;

FIG. 3 is a front view thereof;

FIG. 4 is a rear view thereof;

FIG. 5 is a top plan view thereof;

FIG. 6 is a bottom view thereof;

FIG. 7 is a left side view thereof;

FIG. 8 is a right side view thereof;

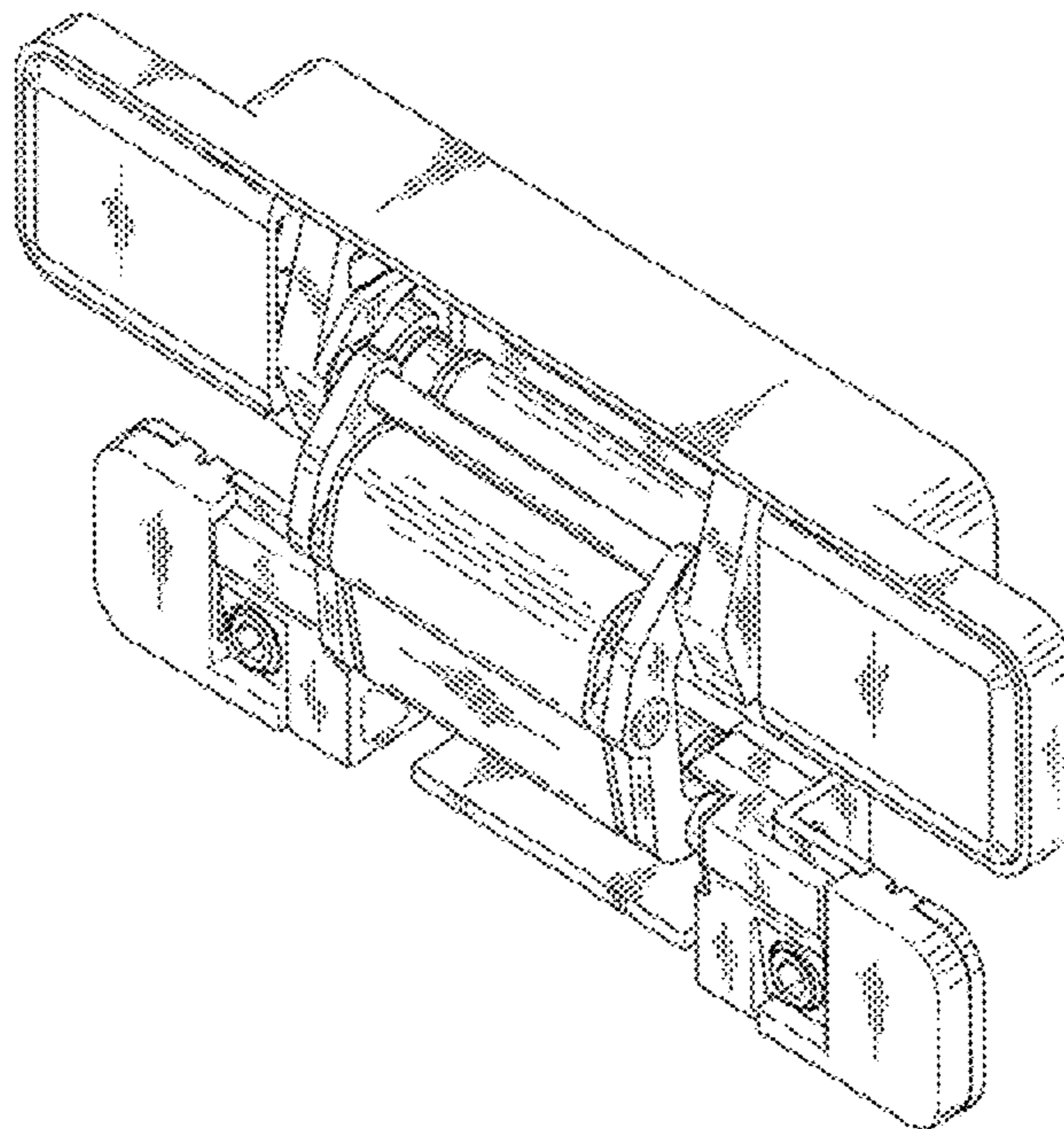
FIG. 9 is a front view in close state thereof;

FIG. 10 is a rear view in close state thereof;

FIG. 11 is a perspective view seen from front side in a closed state thereof; and,

FIG. 12 is a perspective view seen from rear side in a closed state thereof.

1 Claim, 10 Drawing Sheets



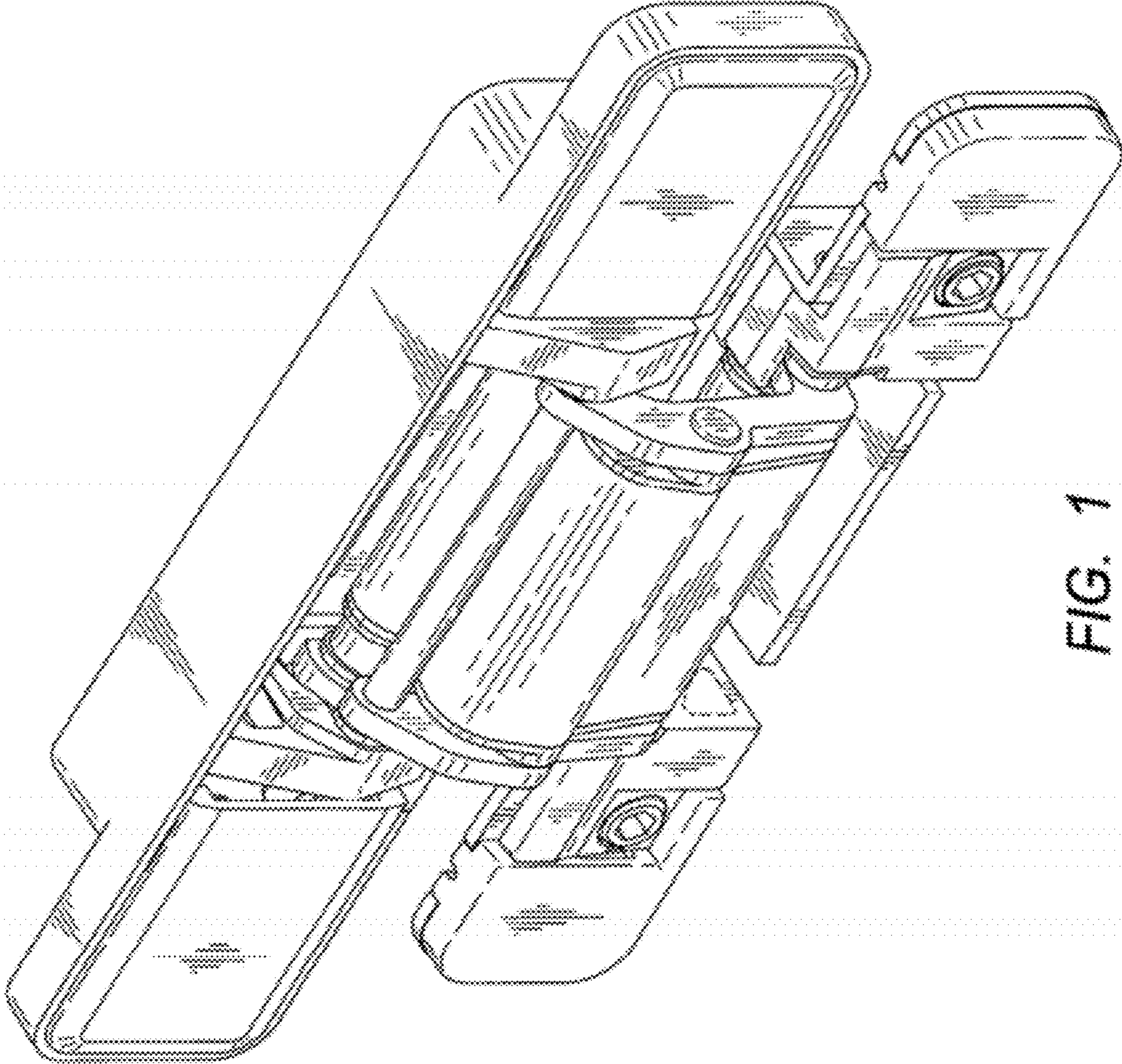


FIG. 1

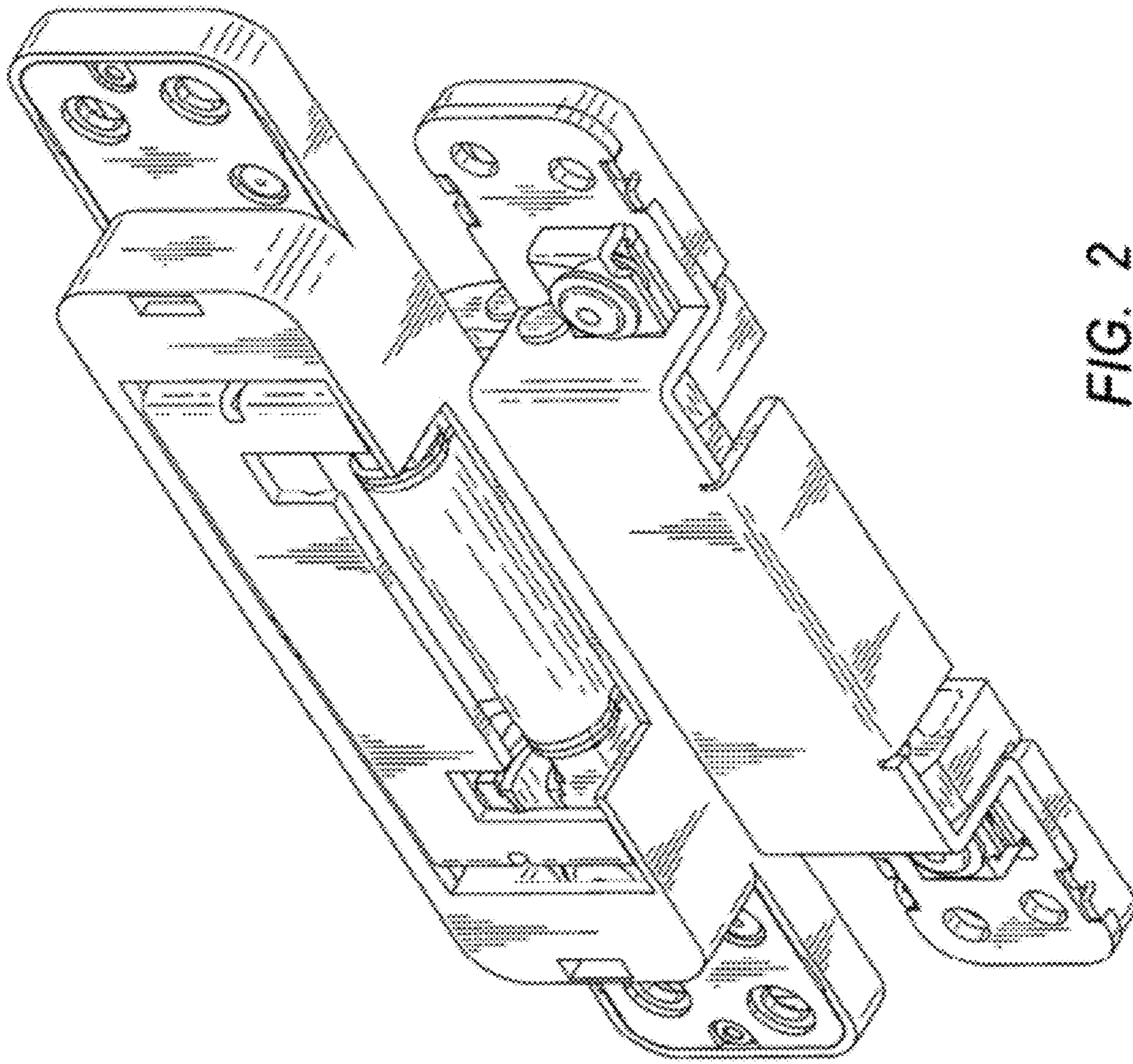


FIG. 2

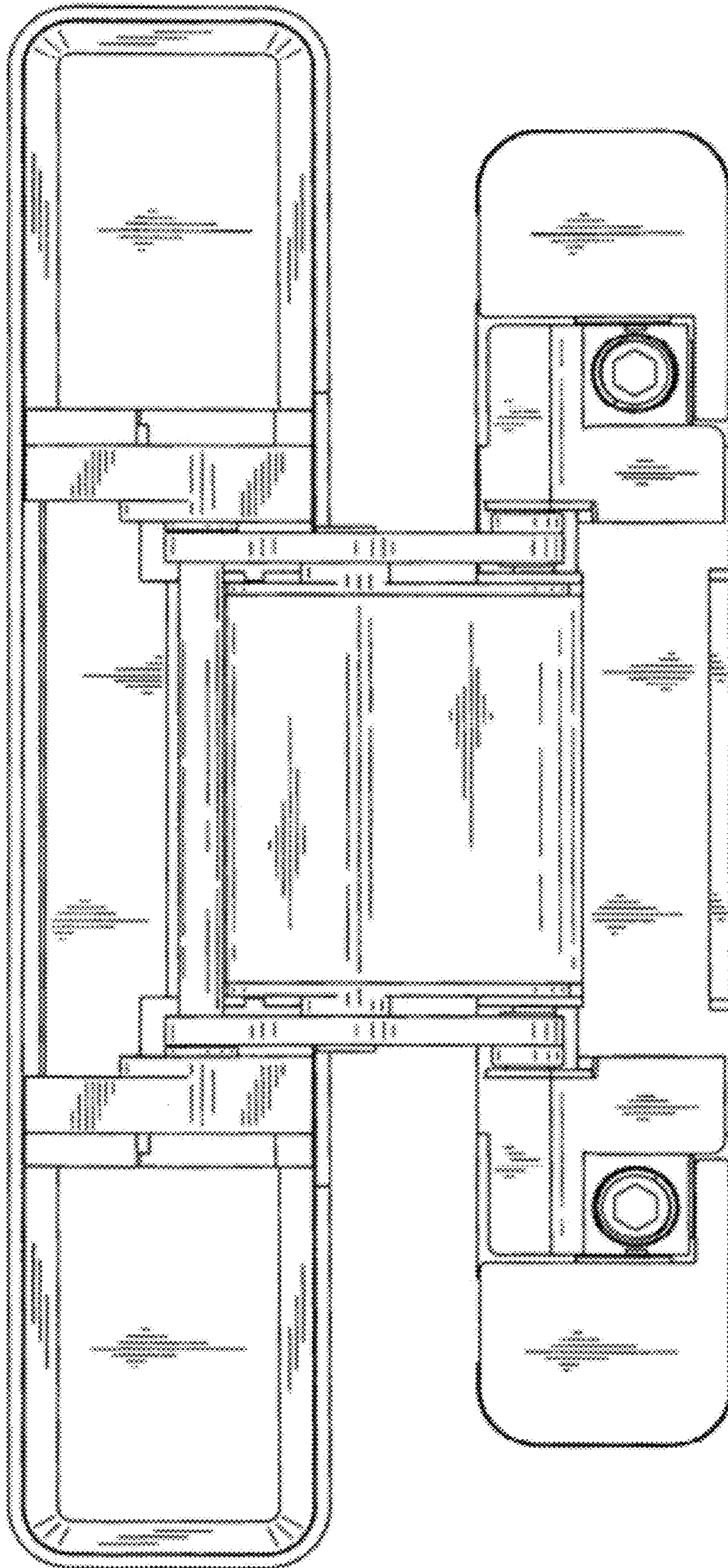


FIG. 3

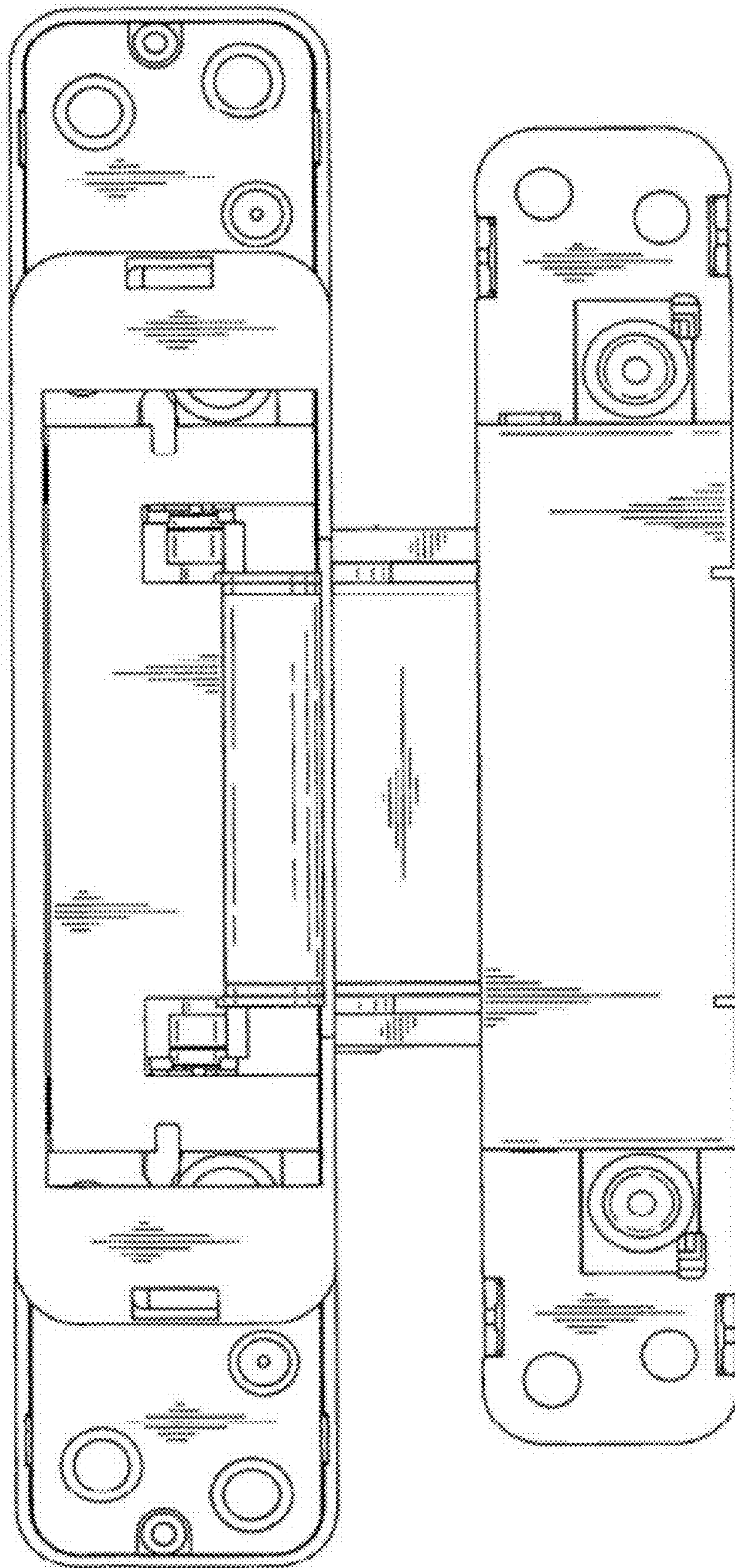


FIG. 4

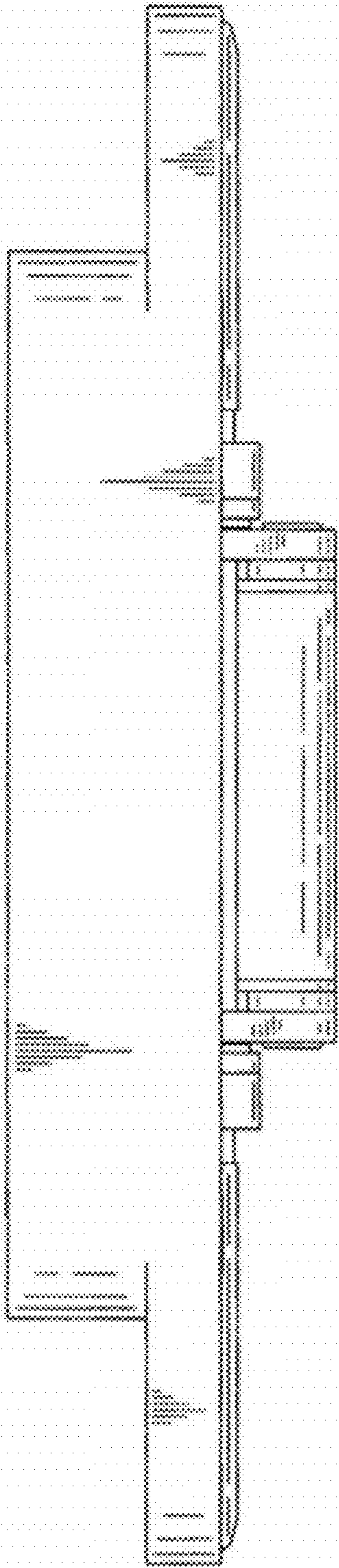


FIG. 5



FIG. 6

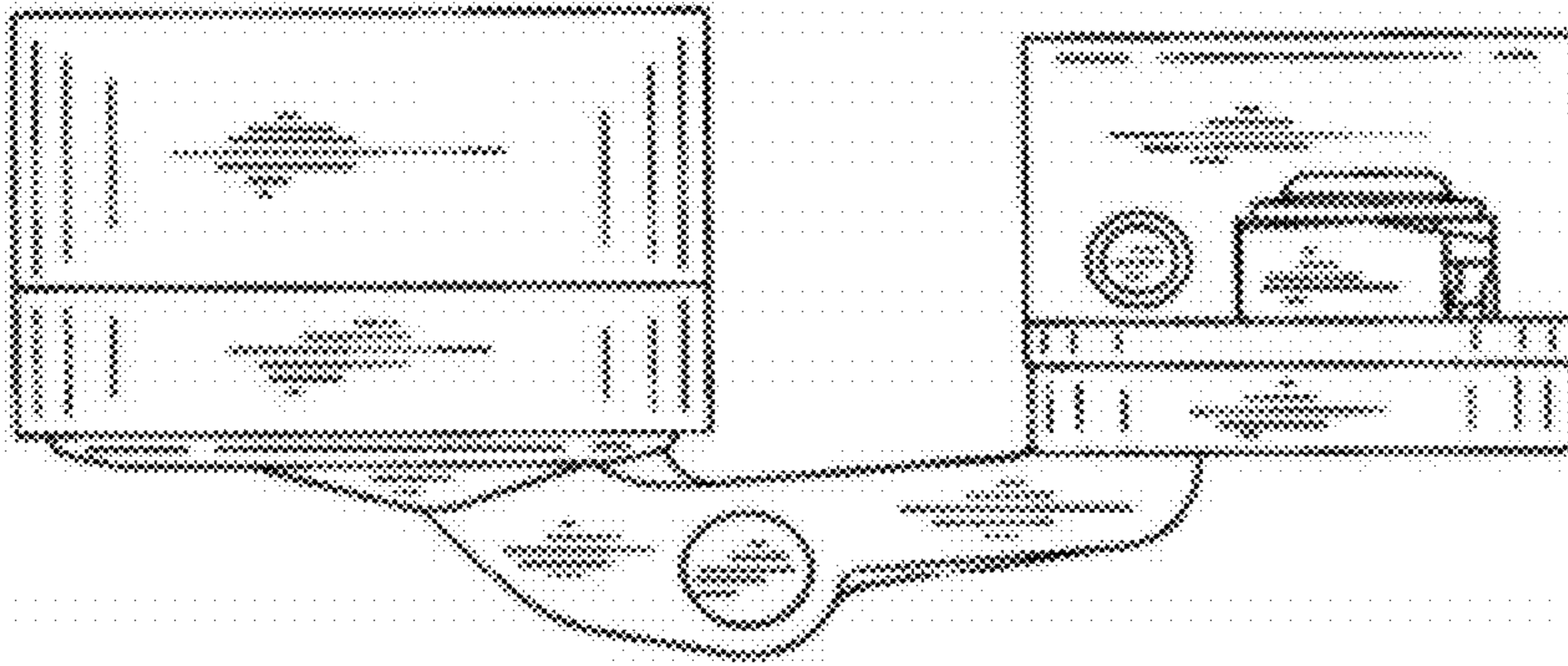


FIG. 8

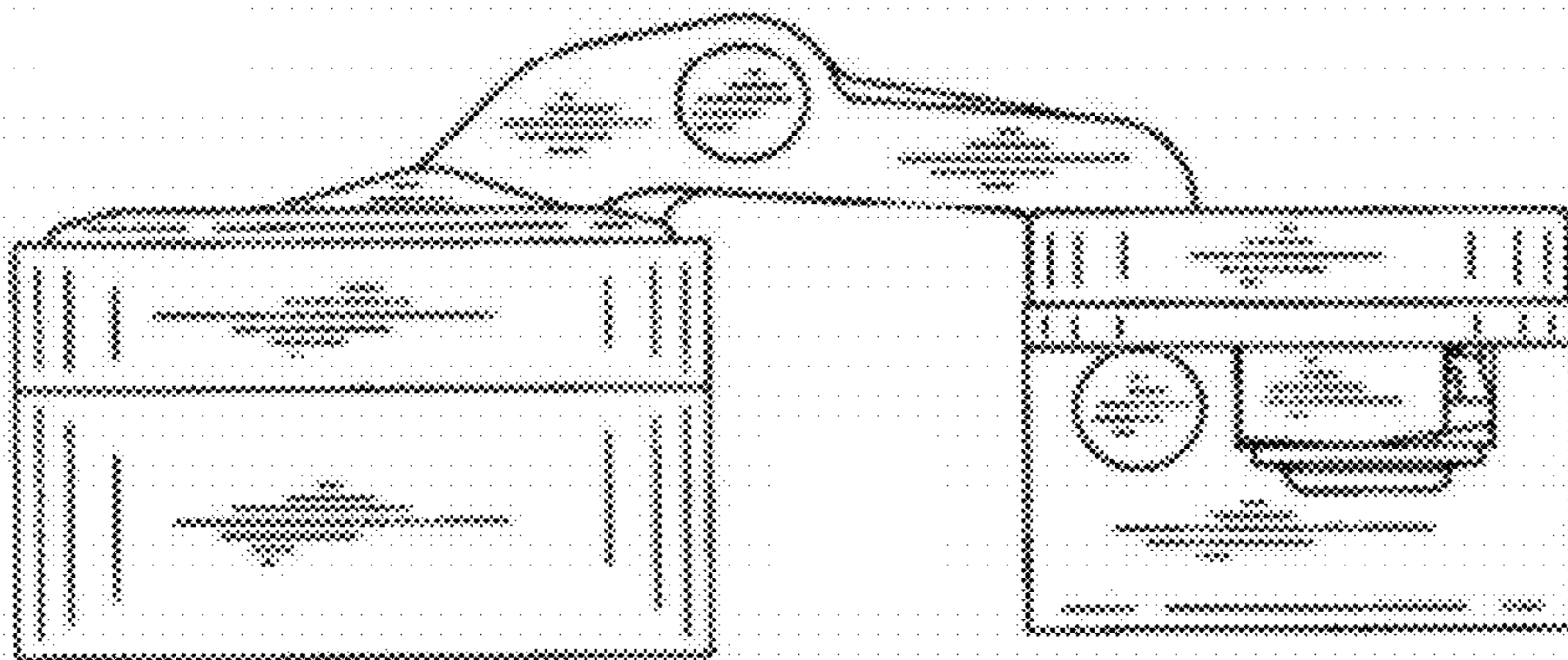


FIG. 7

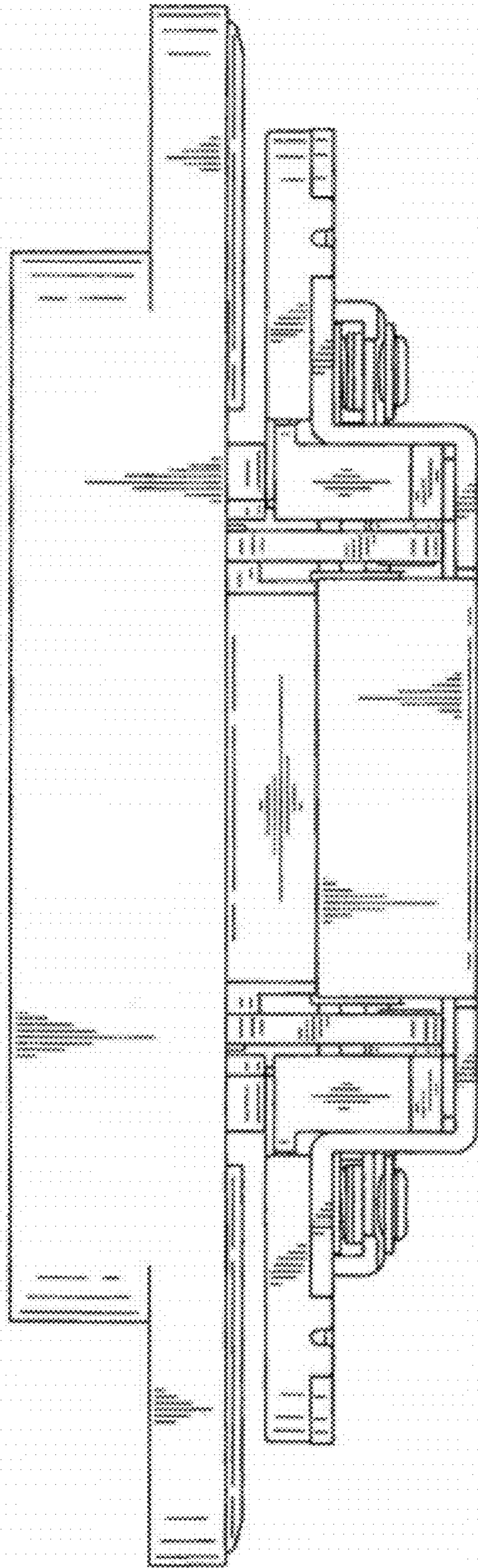


FIG. 9

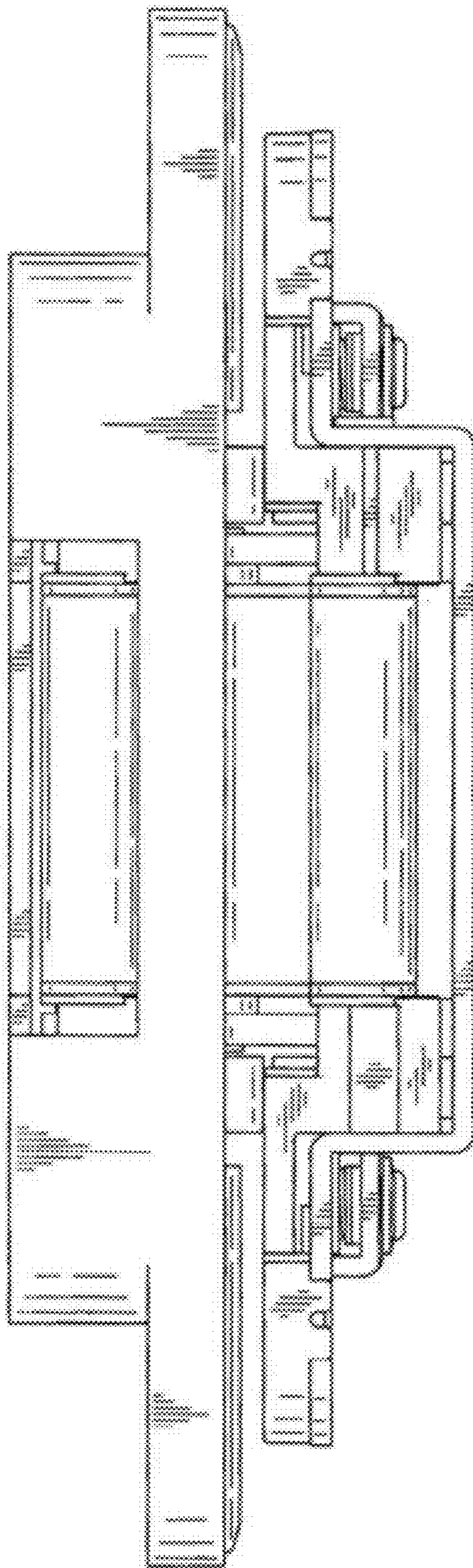


FIG. 10

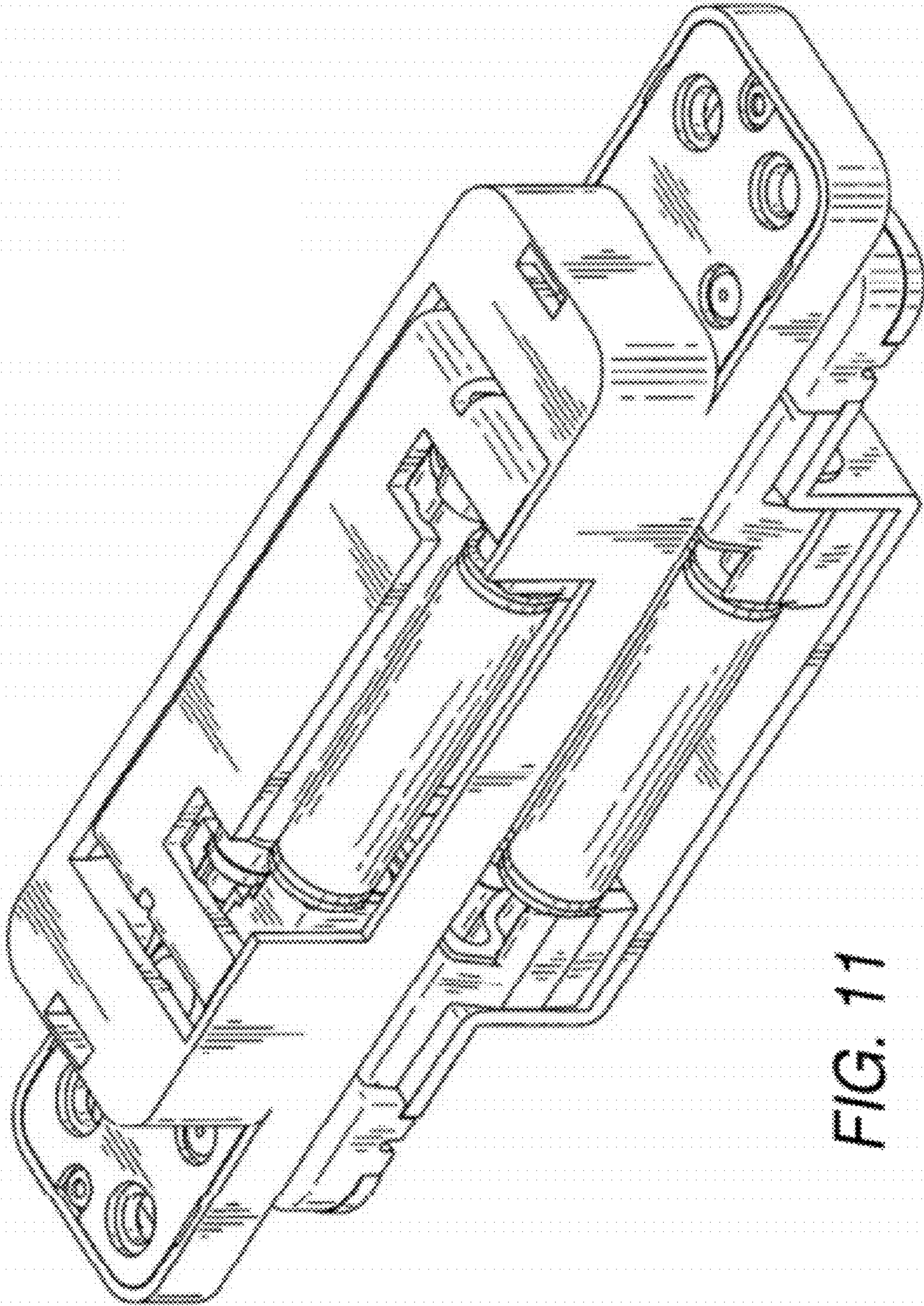


FIG. 11

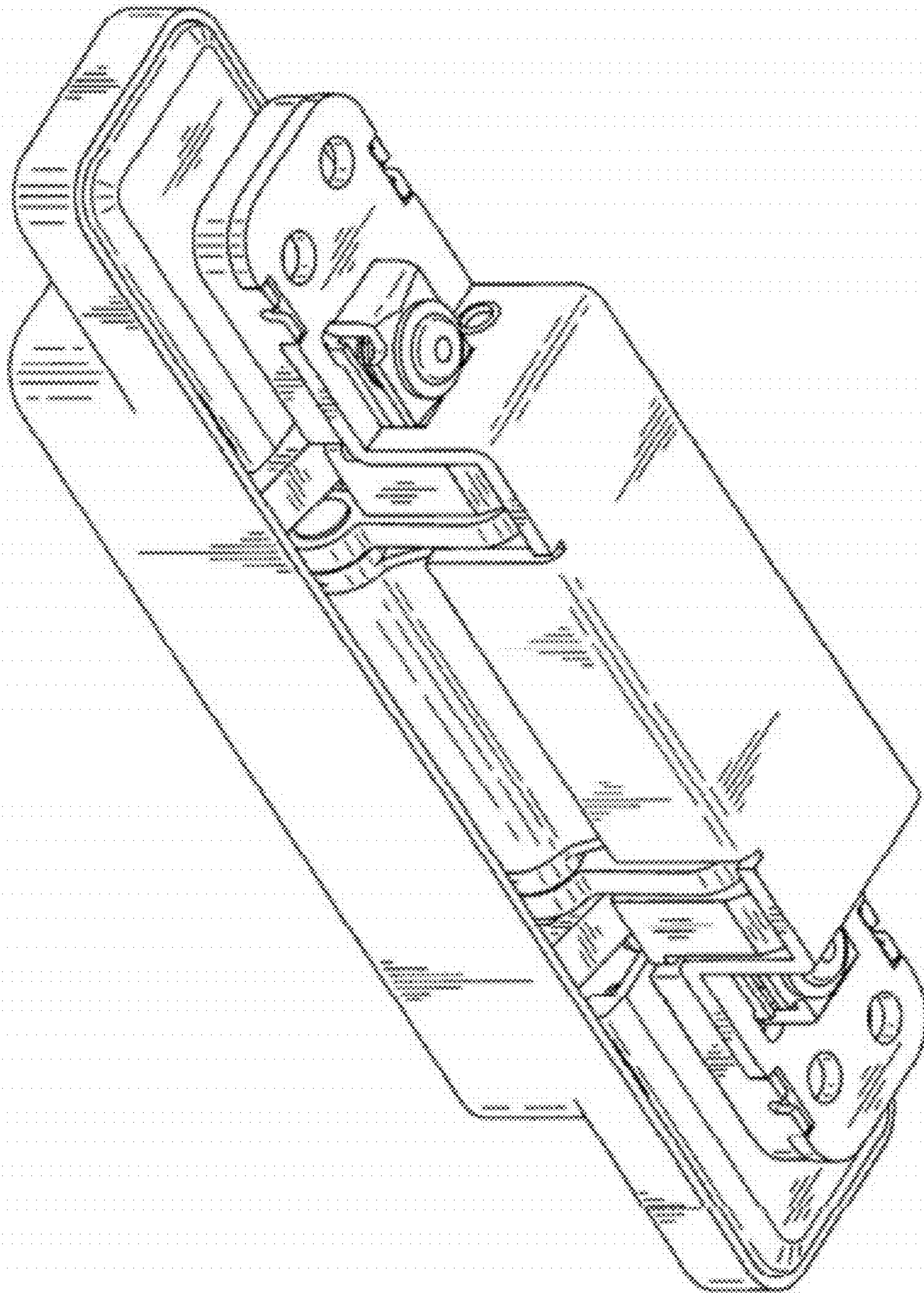


FIG. 12