



US00D658031S

(12) **United States Design Patent**
Mitchell et al.

(10) **Patent No.:** **US D658,031 S**

(45) **Date of Patent:** **** Apr. 24, 2012**

(54) **DOOR HINGE**

(75) Inventors: **Brett A Mitchell**, Newman, GA (US);
Thomas A Thorsen, Wedowee, AL (US)

(73) Assignee: **Kason Industries, Inc.**, Newnan, GA
(US)

(**) Term: **14 Years**

(21) Appl. No.: **29/401,897**

(22) Filed: **Sep. 16, 2011**

(51) **LOC (9) Cl.** **08-06**

(52) **U.S. Cl.** **D8/323; D8/327**

(58) **Field of Classification Search** D8/323,
D8/328, 329, 324, 330, 325, 327, 331, 336,
D8/353, 338, 334, 57; D16/334; D23/302,
D23/303; D10/69; D3/903; 4/236, 240;
16/309, 235, 275, 244, 379, 390, 430, 241,
16/238, 245, 236, 243, 242, 385, 225, 250;
248/682; 33/347, 365-390

See application file for complete search history.

(56) **References Cited**

U.S. PATENT DOCUMENTS

D23,506 S *	7/1894	Hart	D8/327
D75,537 S *	6/1928	Winters et al.	D8/329
D85,477 S *	11/1931	Katz	D8/329
1,832,902 A *	11/1931	Holbrook	16/392
D86,814 S *	4/1932	Tamaroff	D8/329
D92,335 S *	5/1934	Brantingson	D8/329
D92,447 S *	6/1934	Brantingson	D8/329
D105,649 S *	8/1937	Carruthers	D8/329
D111,157 S *	9/1938	Schrader	D8/329
D154,132 S *	6/1949	Lounsbury	D8/329
D161,650 S *	1/1951	Scovill	D8/329
D173,025 S *	9/1954	Fritz	D8/329
D255,868 S *	7/1980	Berkowitz et al.		
D299,420 S *	1/1989	Takahashi	D8/329

D302,104 S *	7/1989	Takahashi	D8/329
D302,105 S *	7/1989	Takahashi	D8/329
4,991,259 A	2/1991	Finkelstein et al.		
D348,205 S *	6/1994	Chen	D8/331
D378,496 S *	3/1997	Levinger et al.	D10/26
D395,590 S	6/1998	Finkelstein et al.		
D401,134 S	11/1998	Finkelstein		
D451,000 S *	11/2001	Karl	D8/323
6,401,298 B1 *	6/2002	Lenz	16/335
D475,272 S *	6/2003	Hansen et al.	D8/327
7,055,214 B1	6/2006	Finkelstein		
D582,249 S *	12/2008	Le et al.	D8/327
7,584,523 B1	9/2009	Finkelstein et al.		
D608,179 S *	1/2010	Tejszerski	D8/327
7,870,642 B1	1/2011	Finkelstein et al.		
D637,060 S	5/2011	Mitchell et al.		
D645,725 S	9/2011	Katz et al.		
8,020,253 B1	9/2011	Finkelstein et al.		

* cited by examiner

Primary Examiner — Cynthia Underwood

(74) *Attorney, Agent, or Firm* — Baker Donelson; Dorian B. Kennedy

(57) **CLAIM**

The ornamental design for a door hinge, as shown and described.

DESCRIPTION

FIG. 1 is a perspective view of a door hinge showing our new design.

FIG. 2 is a left side view thereof.

FIG. 3 is a right side view thereof.

FIG. 4 is a front view thereof.

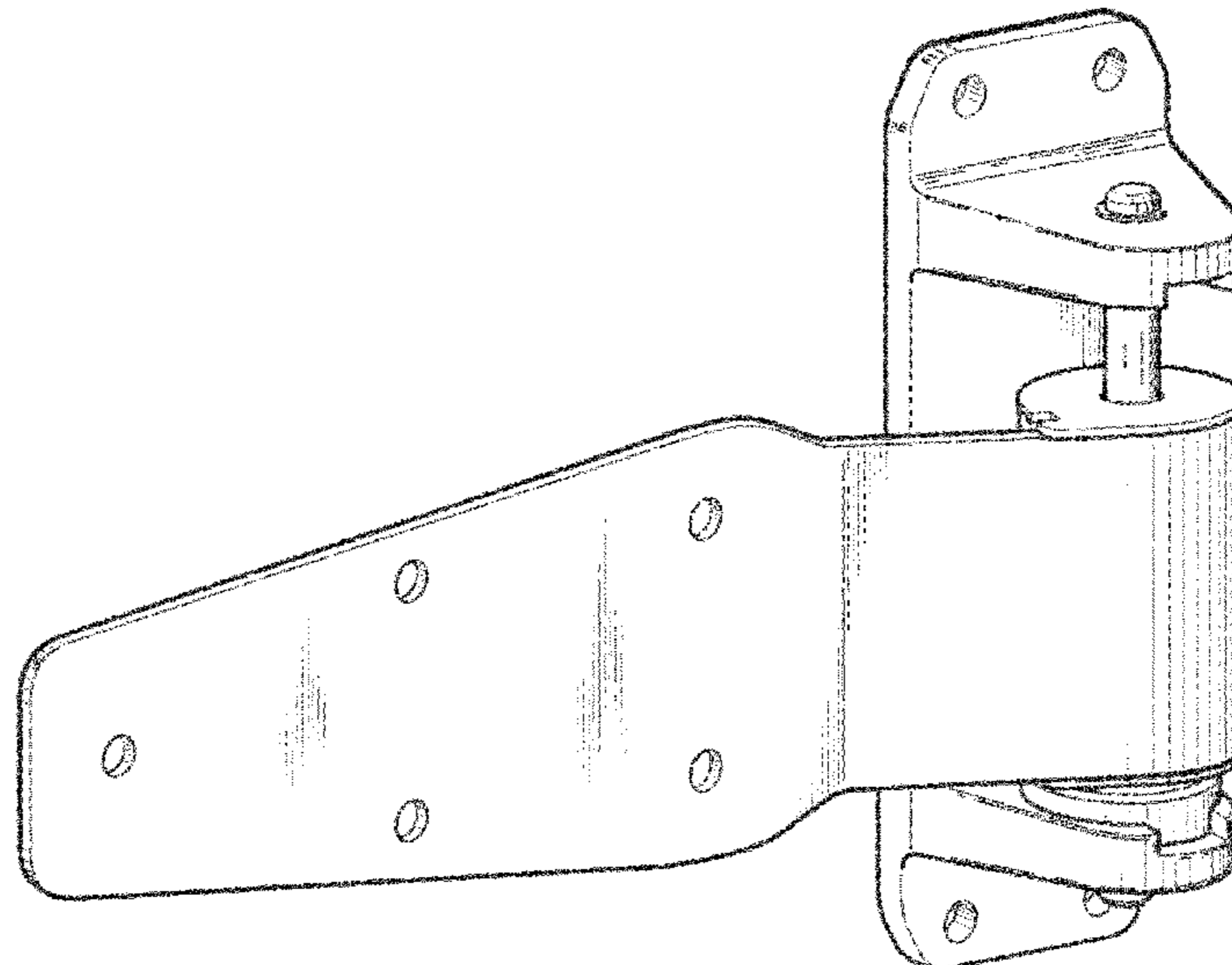
FIG. 5 is a rear view thereof.

FIG. 6 is a top view thereof; and,

FIG. 7 is a bottom view thereof.

The broken lines depict portions of the door hinge that form no part of the claimed design.

1 Claim, 5 Drawing Sheets



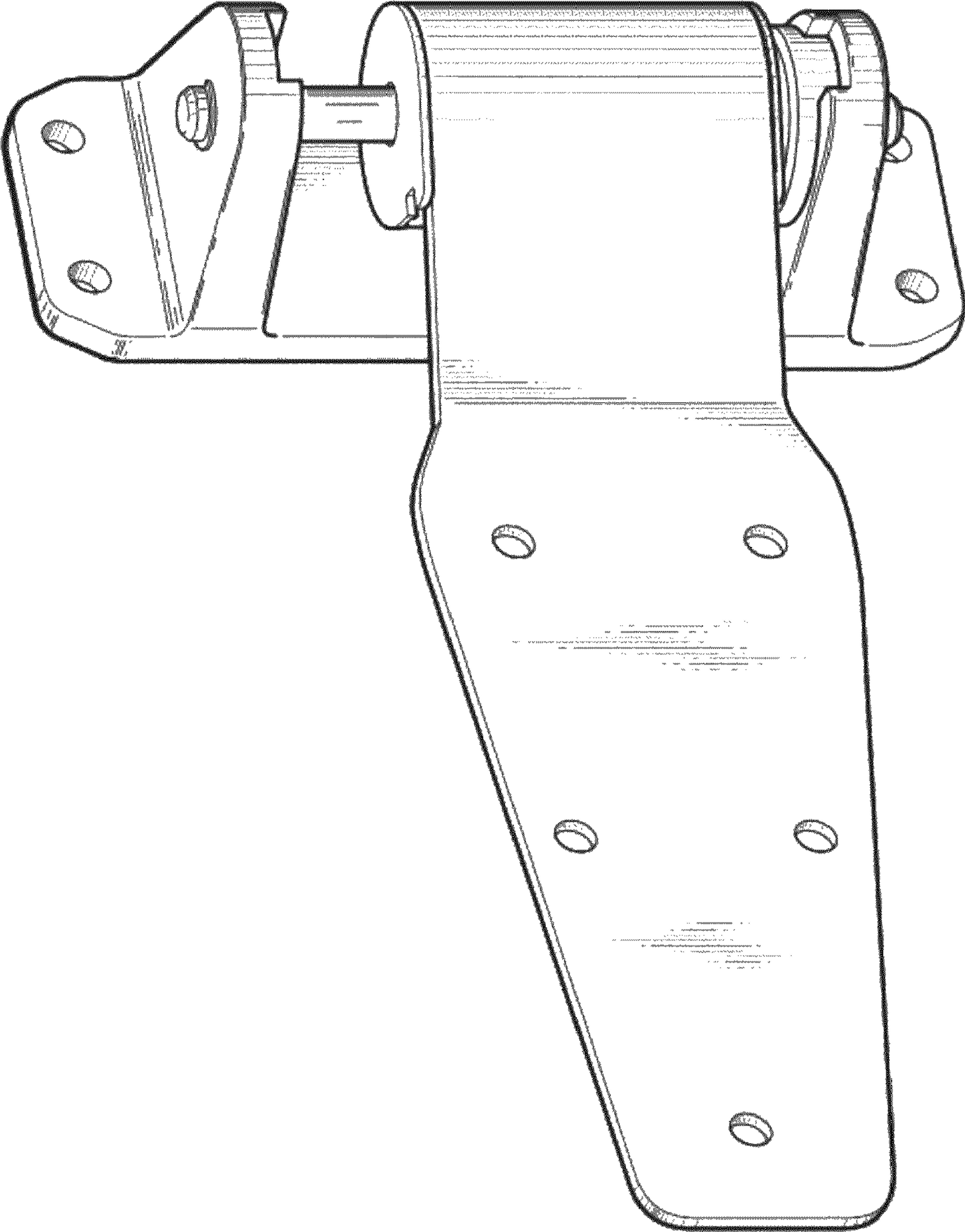


FIG. 1

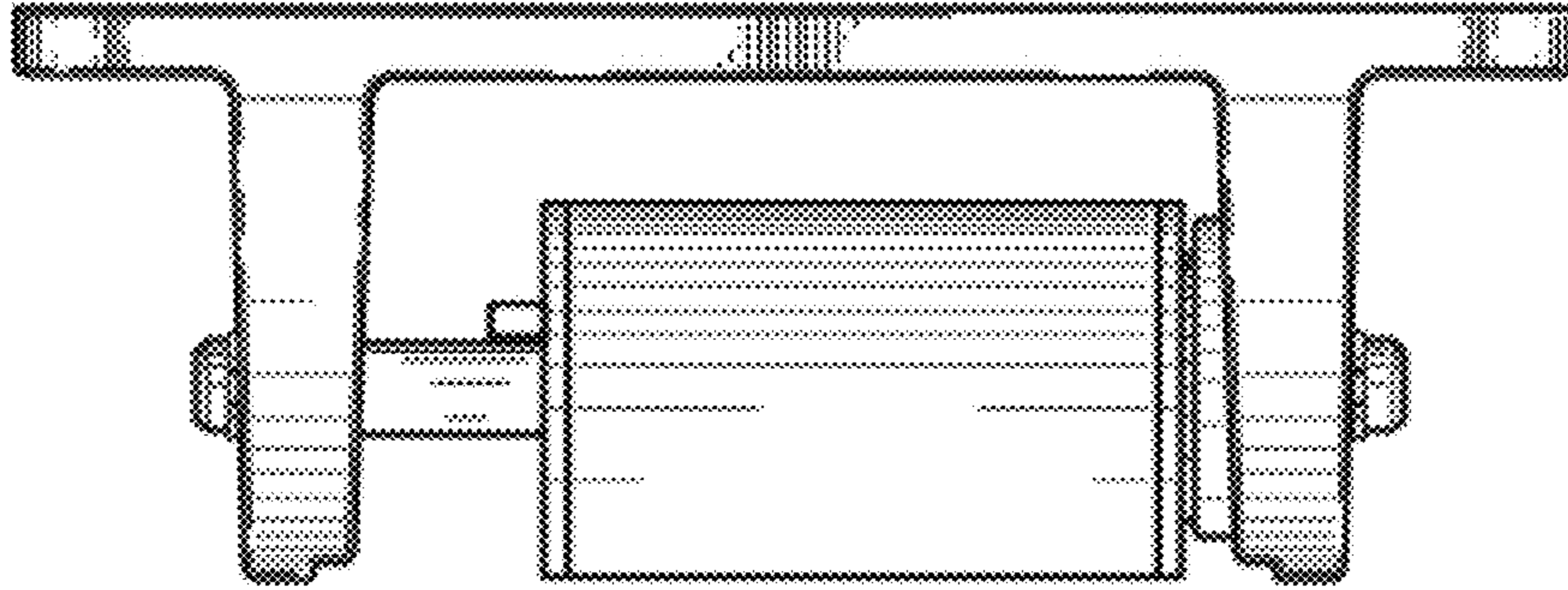


FIG. 3

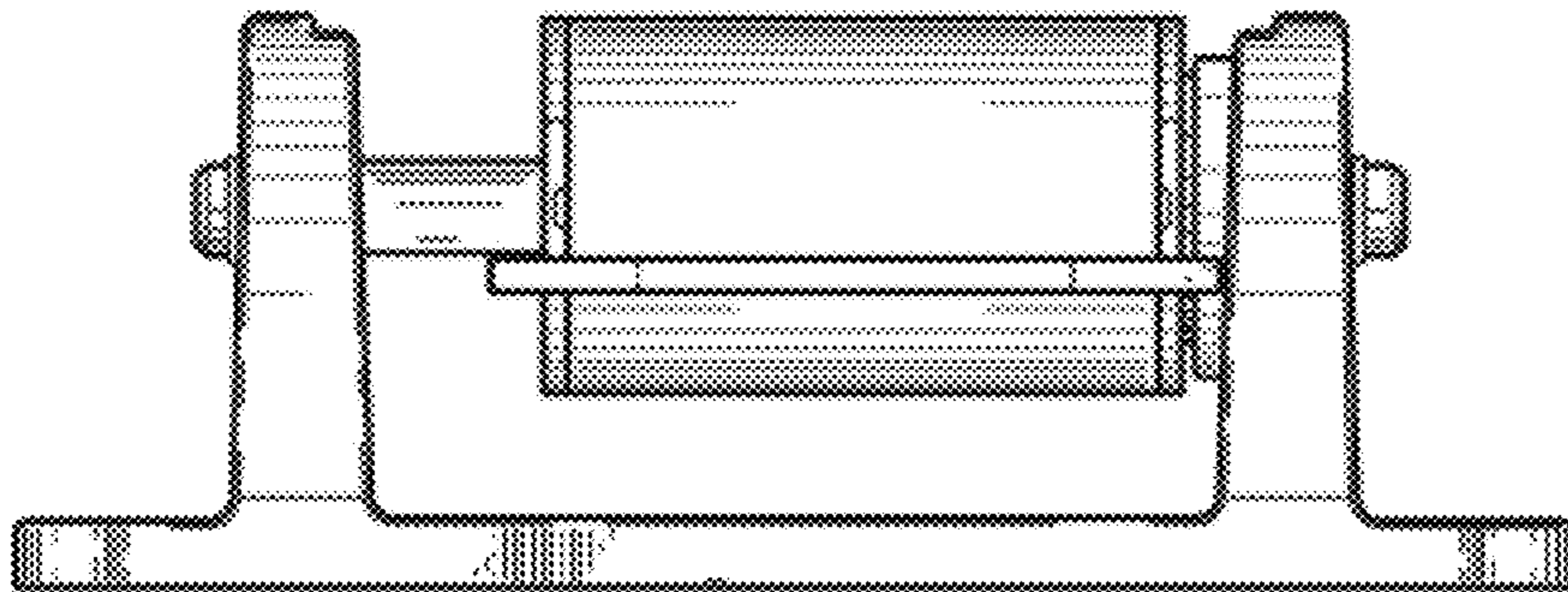


FIG. 2

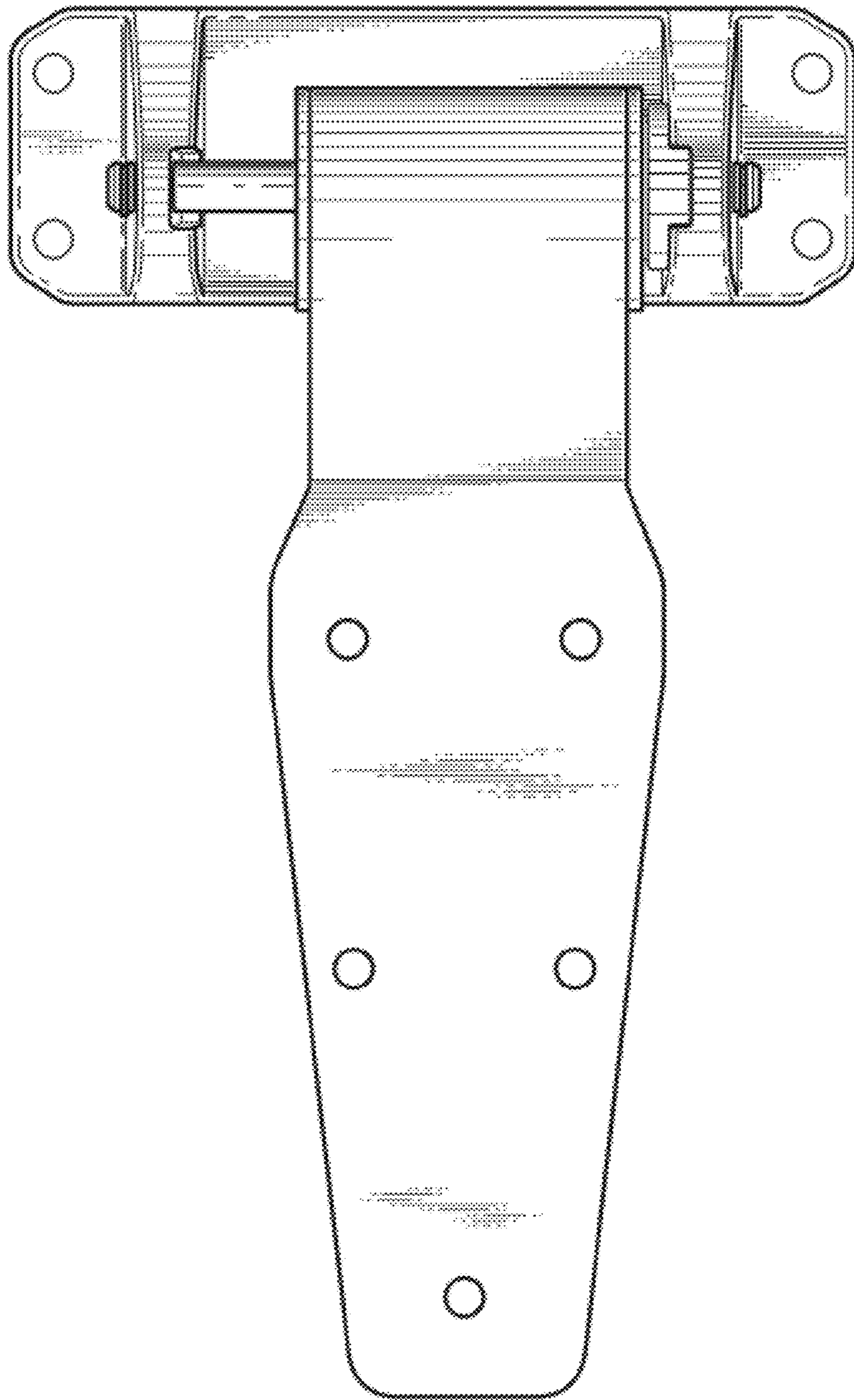


FIG. 4

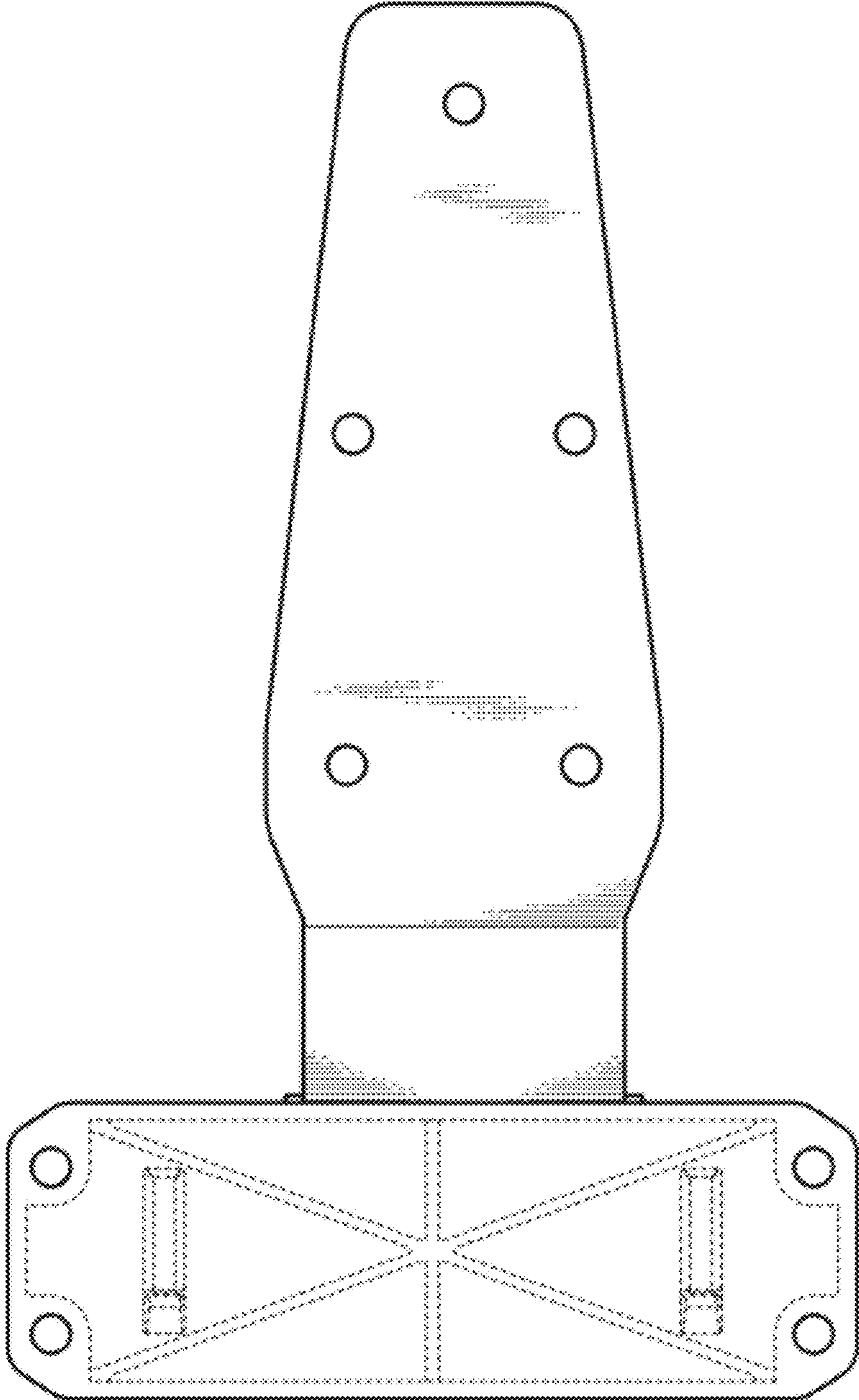


FIG. 5

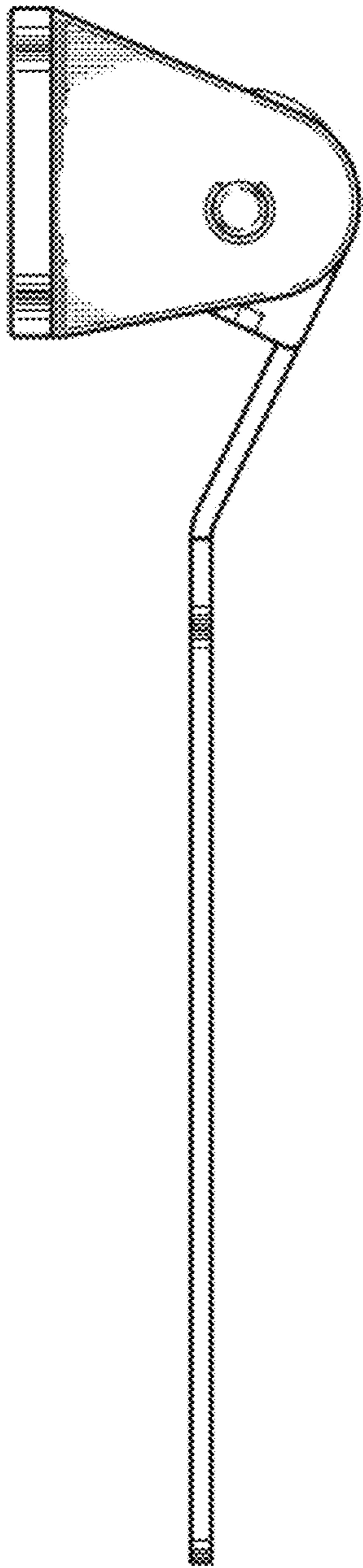


FIG. 6

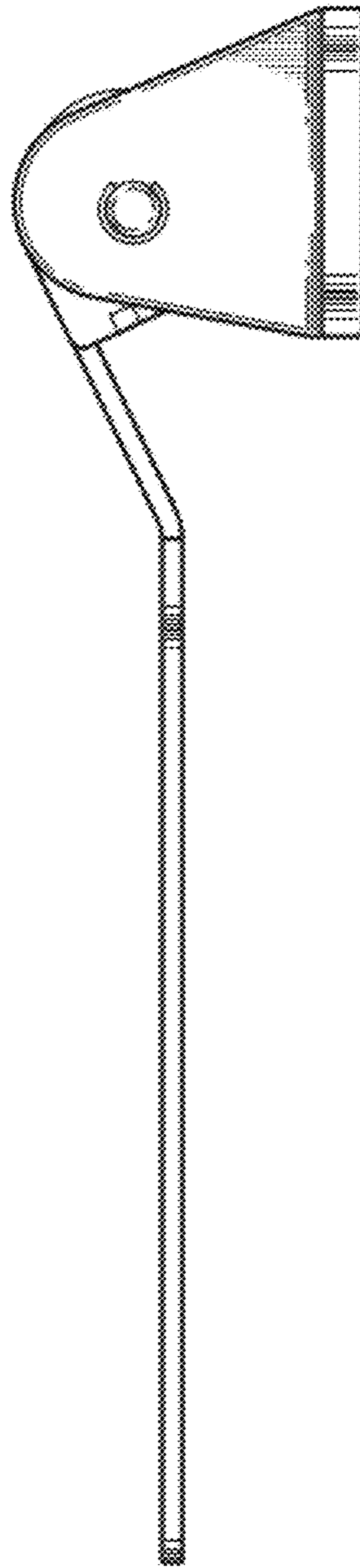


FIG. 7