



US00D658029S

(12) **United States Design Patent**
Fulkerson et al.

(10) **Patent No.:** **US D658,029 S**

(45) **Date of Patent:** **** Apr. 24, 2012**

(54) **DOOR PULL**

(76) Inventors: **Matthew E. Fulkerson**, Cumming, GA (US); **Brian L. Yearwood**, Alpharetta, GA (US)

(**) Term: **14 Years**

(21) Appl. No.: **29/392,856**

(22) Filed: **May 27, 2011**

(51) **LOC (9) Cl.** **08-06**

(52) **U.S. Cl.** **D8/307; D8/301**

(58) **Field of Classification Search** D8/300, D8/301, 303, 307, 308, 367, 338, 339; 292/336.3; 248/239; 16/110.1, 412, 430
See application file for complete search history.

(56) **References Cited**

U.S. PATENT DOCUMENTS

| | | | | |
|-----------|-----|---------|------------------|------------|
| 1,799,602 | A * | 4/1931 | North et al. | 248/239 |
| D171,263 | S * | 1/1954 | Newlin | D3/266 |
| D175,851 | S * | 10/1955 | Ohno | D8/302 |
| 2,765,998 | A * | 10/1956 | Engert | 248/467 |
| 2,859,008 | A * | 11/1958 | Zimmer | 248/220.43 |
| 3,121,907 | A * | 2/1964 | Stebbins | 16/412 |
| 3,151,350 | A * | 10/1964 | Manion | 16/412 |
| D212,553 | S * | 10/1968 | Hekman | D8/367 |
| 3,637,181 | A * | 1/1972 | Janssen | 248/205.3 |
| 3,724,792 | A | 4/1973 | Thalenfeld | |
| 3,880,390 | A | 4/1975 | Niven | |
| D238,549 | S | 1/1976 | Fischer | |
| D274,950 | S * | 7/1984 | Zeischegg et al. | D27/133 |
| D278,878 | S * | 5/1985 | Workman et al. | D8/300 |
| 4,644,689 | A * | 2/1987 | Arians | 49/70 |
| 4,817,239 | A * | 4/1989 | Campbell | 16/413 |
| 4,889,304 | A | 12/1989 | Glickman et al. | |
| D311,484 | S * | 10/1990 | Sachs | D8/367 |
| D312,959 | S | 12/1990 | Hamann | |
| D320,337 | S | 10/1991 | Tye et al. | |

| | | | | |
|-----------|------|---------|-----------------|----------|
| D341,066 | S | 11/1993 | Wallace | |
| 5,398,374 | A * | 3/1995 | Betancourt | 16/110.1 |
| D359,441 | S | 6/1995 | Miller | |
| D374,602 | S * | 10/1996 | Protz, Jr. | D8/367 |
| D407,299 | S | 3/1999 | McCreary | |
| D411,092 | S | 6/1999 | Heithe | |
| D448,272 | S | 9/2001 | Miller | |
| 6,289,557 | B1 * | 9/2001 | Manson et al. | 16/412 |
| D448,654 | S | 10/2001 | Snell | |
| D493,687 | S | 8/2004 | Ayrest | |
| D505,310 | S * | 5/2005 | Lorusso | D8/302 |
| D511,083 | S * | 11/2005 | Gurzenda et al. | D8/316 |
| D533,046 | S * | 12/2006 | Donald | D8/301 |
| D539,113 | S | 3/2007 | Fulkerson | |
| D637,885 | S * | 5/2011 | Buck | D8/308 |

* cited by examiner

Primary Examiner — Paula Greene

(74) *Attorney, Agent, or Firm* — Warner Norcross & Judd LLP

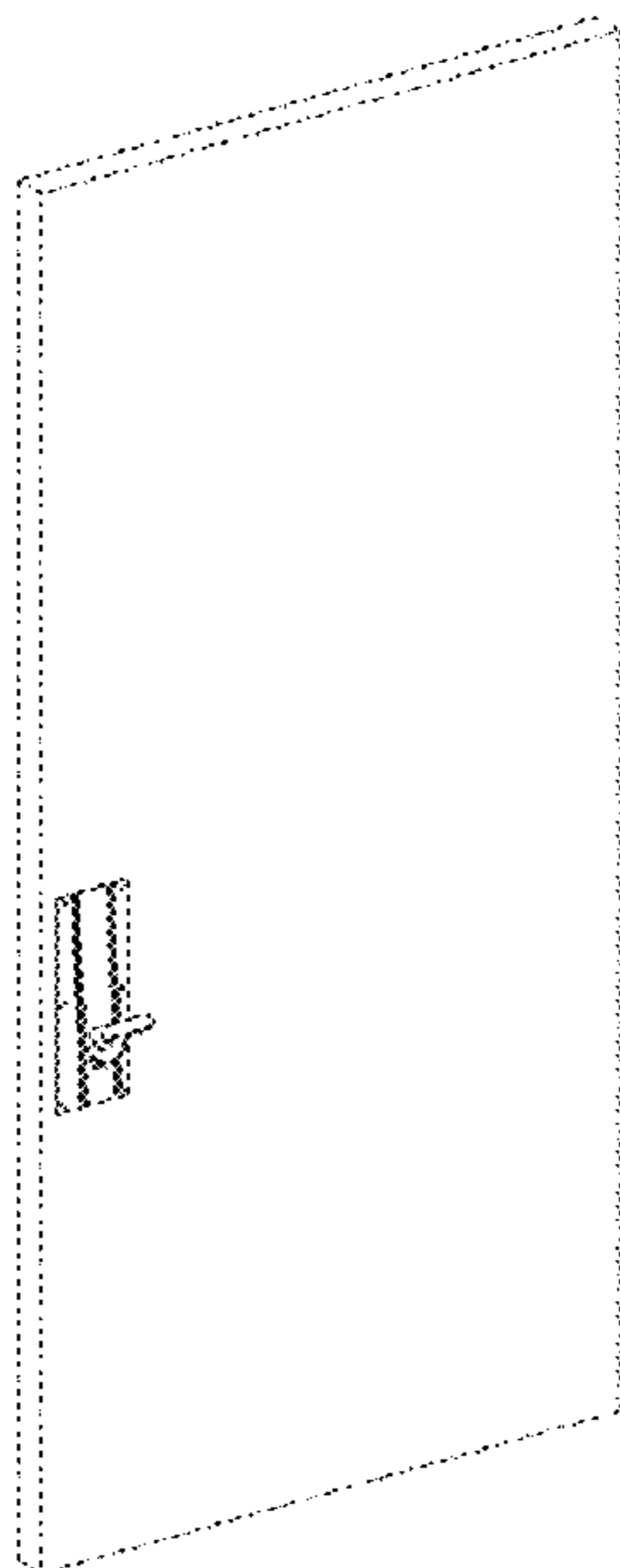
(57) **CLAIM**

The ornamental design for door pull, as shown and described.

DESCRIPTION

FIG. 1 is a perspective view of a door pull showing our new design;
FIG. 2 is a right side view thereof, the left side view being a mirror image thereof;
FIG. 3 is a front view thereof;
FIG. 4 is a top view thereof; and,
FIG. 5 is a bottom view thereof.
FIGS. 1-5 show features of a door and portions of a door pull in phantom lines. These features are shown for environmental purposes and do not form any part of the claimed design. Further, the phantom lines immediately adjacent the solid-line portions of the design form the boundary of the design, with the phantom lines forming no part of the claimed design.

1 Claim, 2 Drawing Sheets



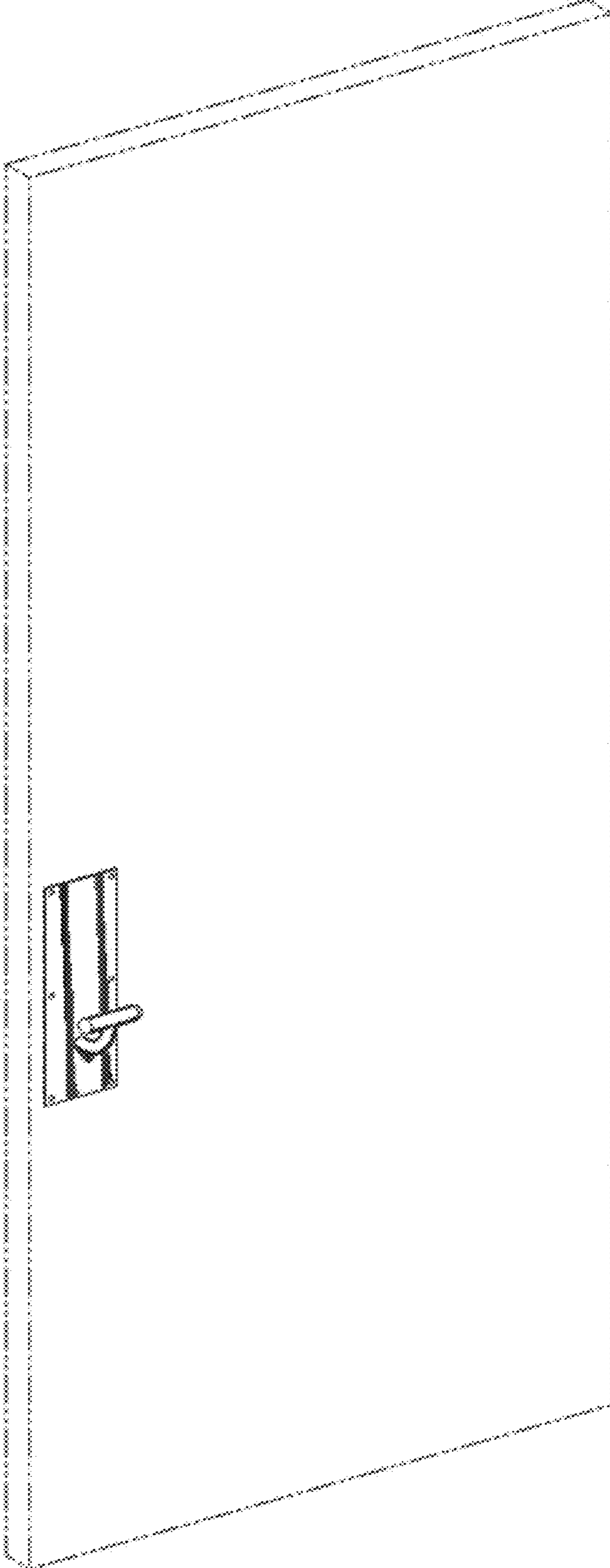


Fig. 1

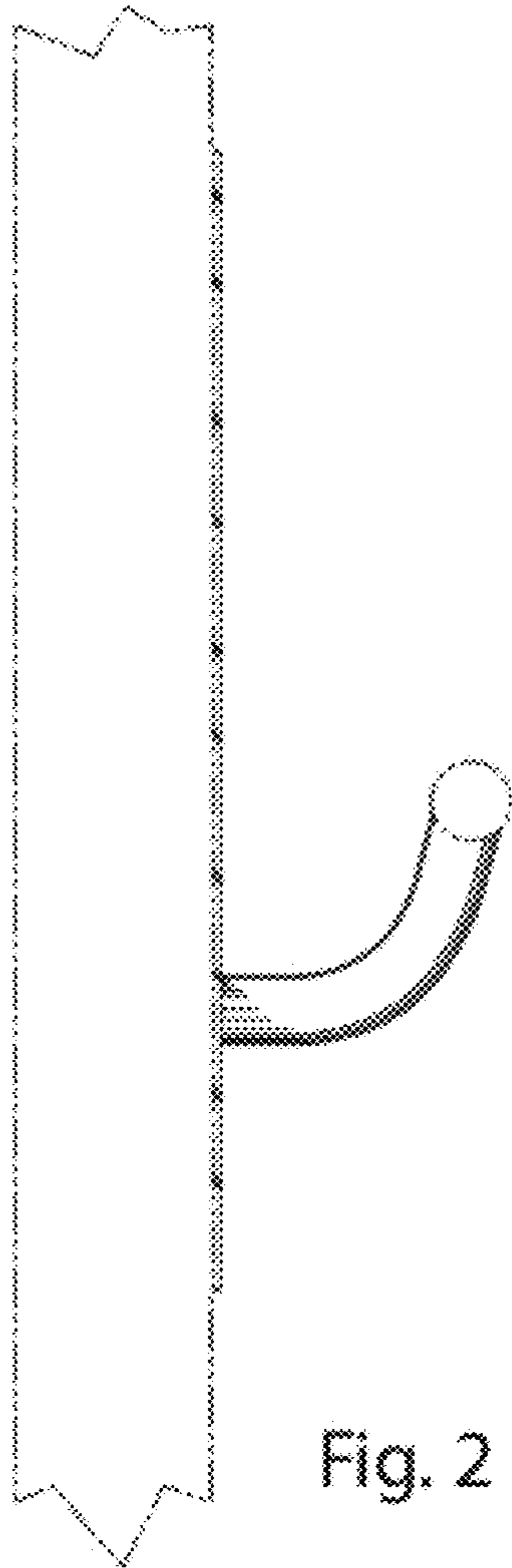


Fig. 2

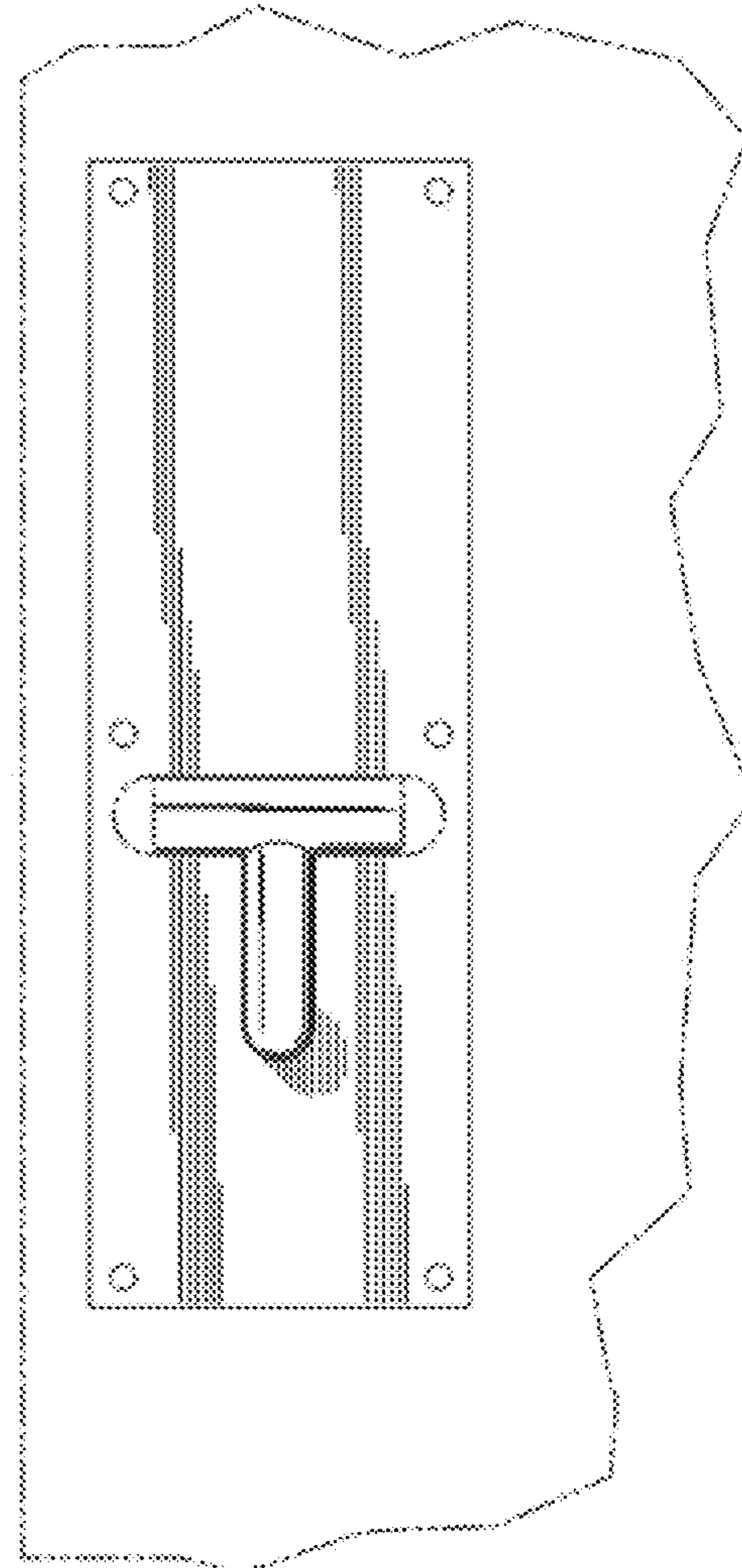


Fig. 3

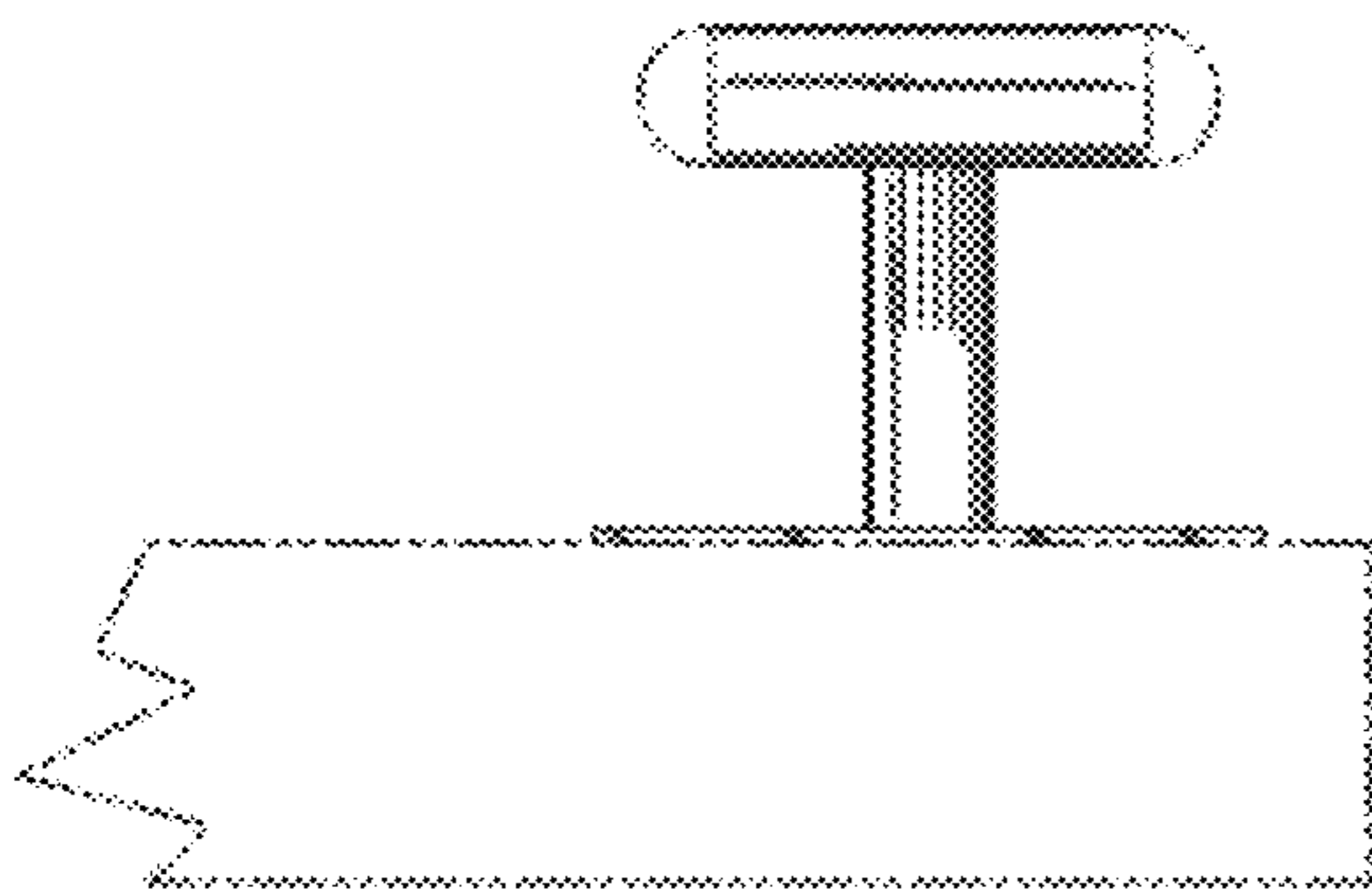


Fig. 4

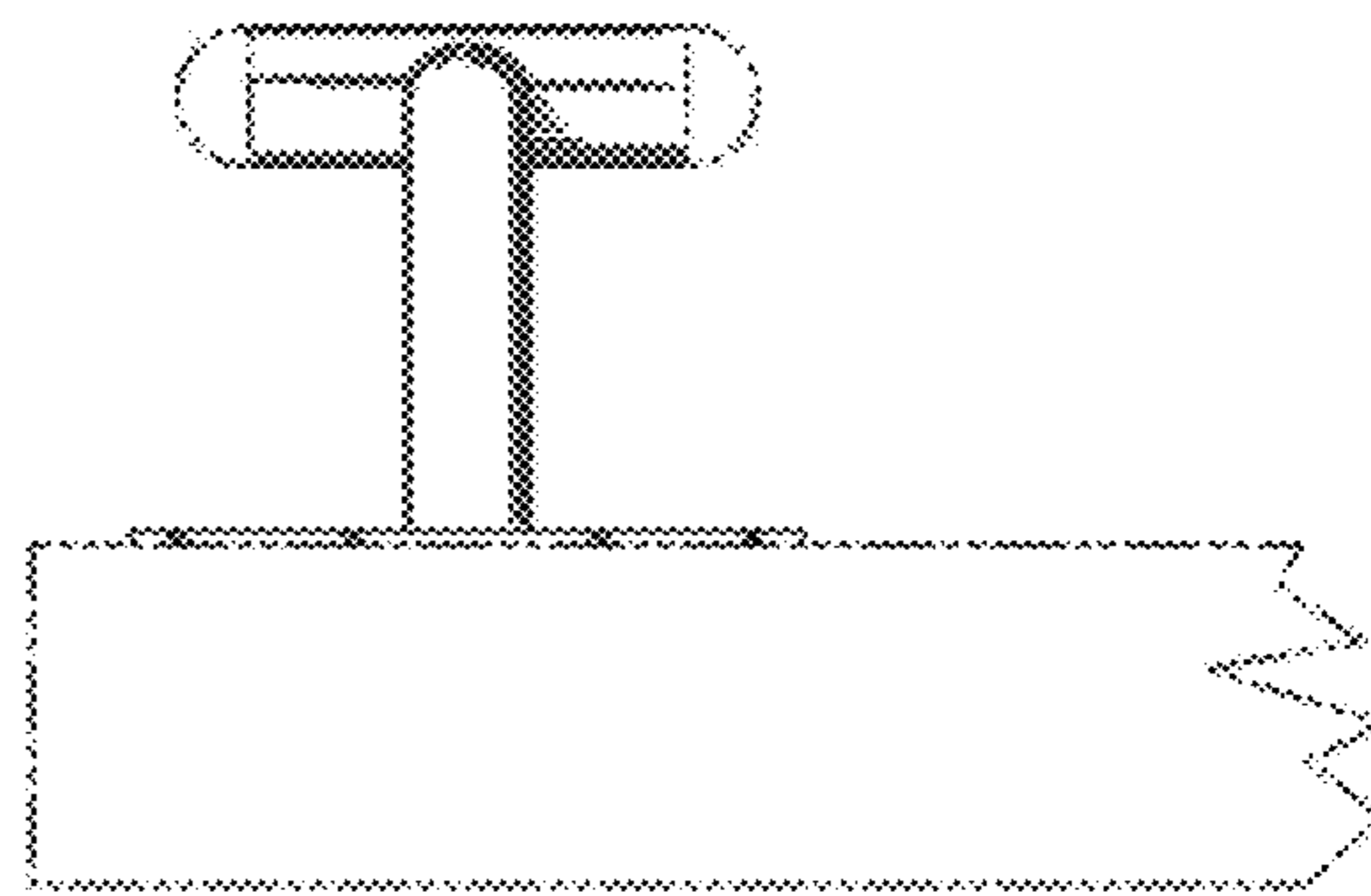


Fig. 5