



US00D658027S

(12) **United States Design Patent**
Ortiz et al.

(10) **Patent No.:** **US D658,027 S**

(45) **Date of Patent:** **** Apr. 24, 2012**

(54) **HANDLE TRIMSET ASSEMBLY**

(75) Inventors: **Fernando Ortiz**, Wyoming, MI (US);
Lisa Kay Koskela, Grand Rapids, MI (US)

(73) Assignee: **Belwith Products, LLC**, Grandville, MI (US)

(**) Term: **14 Years**

(21) Appl. No.: **29/390,562**

(22) Filed: **Apr. 26, 2011**

(51) **LOC (9) Cl.** **08-06**

(52) **U.S. Cl.** **D8/301; D8/305**

(58) **Field of Classification Search** D8/300,
D8/302, 305, 307, 308, 319, 320, 350, 351,
D8/353; D23/250, 252, 254; 16/110.1, 412;
292/336.3

See application file for complete search history.

(56) **References Cited**

U.S. PATENT DOCUMENTS

D24,971 S *	12/1895	Tyson	D8/404
D38,941 S *	12/1907	Schoonmaker	D8/310
D236,948 S *	9/1975	Mori	D8/353
D312,565 S *	12/1990	Abraham et al.	D8/301
D319,769 S *	9/1991	Fleming et al.	D8/301
D362,609 S *	9/1995	Ellis et al.	D8/302
D363,204 S *	10/1995	Ellis et al.	D8/301
D418,386 S *	1/2000	Baskauskas et al.	D8/302
D447,927 S *	9/2001	LaPlume et al.	D8/302
D467,487 S *	12/2002	Baskauskas et al.	D8/302
D502,084 S *	2/2005	Denoual	D8/302

D502,085 S *	2/2005	Denoual	D8/302
D502,086 S *	2/2005	Denoual	D8/302
D524,634 S *	7/2006	Yegyayan et al.	D8/350
D527,976 S *	9/2006	Singtoroj	D8/302
D530,182 S *	10/2006	Baskauskas et al.	D8/302

* cited by examiner

Primary Examiner — Paula Greene

(74) *Attorney, Agent, or Firm* — Leydig, Voit & Mayer, Ltd.

(57) **CLAIM**

The ornamental design for a handle trimset assembly, as shown and described.

DESCRIPTION

FIG. 1 is a front elevational view of a handle trimset assembly showing our new design;
 FIG. 2 is a rear elevational view of the handle trimset assembly of FIG. 1 with a knob;
 FIG. 3 is an alternate rear elevational view of the handle trimset assembly of FIG. 1 with a lever handle;
 FIG. 4 is a right side view of the handle trimset assembly of FIGS. 1 and 2, the left side being a mirror image thereof; and
 FIG. 5 is a right side view of the handle trimset assembly of FIGS. 1 and 3; and,
 FIG. 6 is a left side view of the handle trimset assembly of FIGS. 1 and 3.

The broken line representations are for purposes of illustration only and form no part of the claimed design.

1 Claim, 3 Drawing Sheets

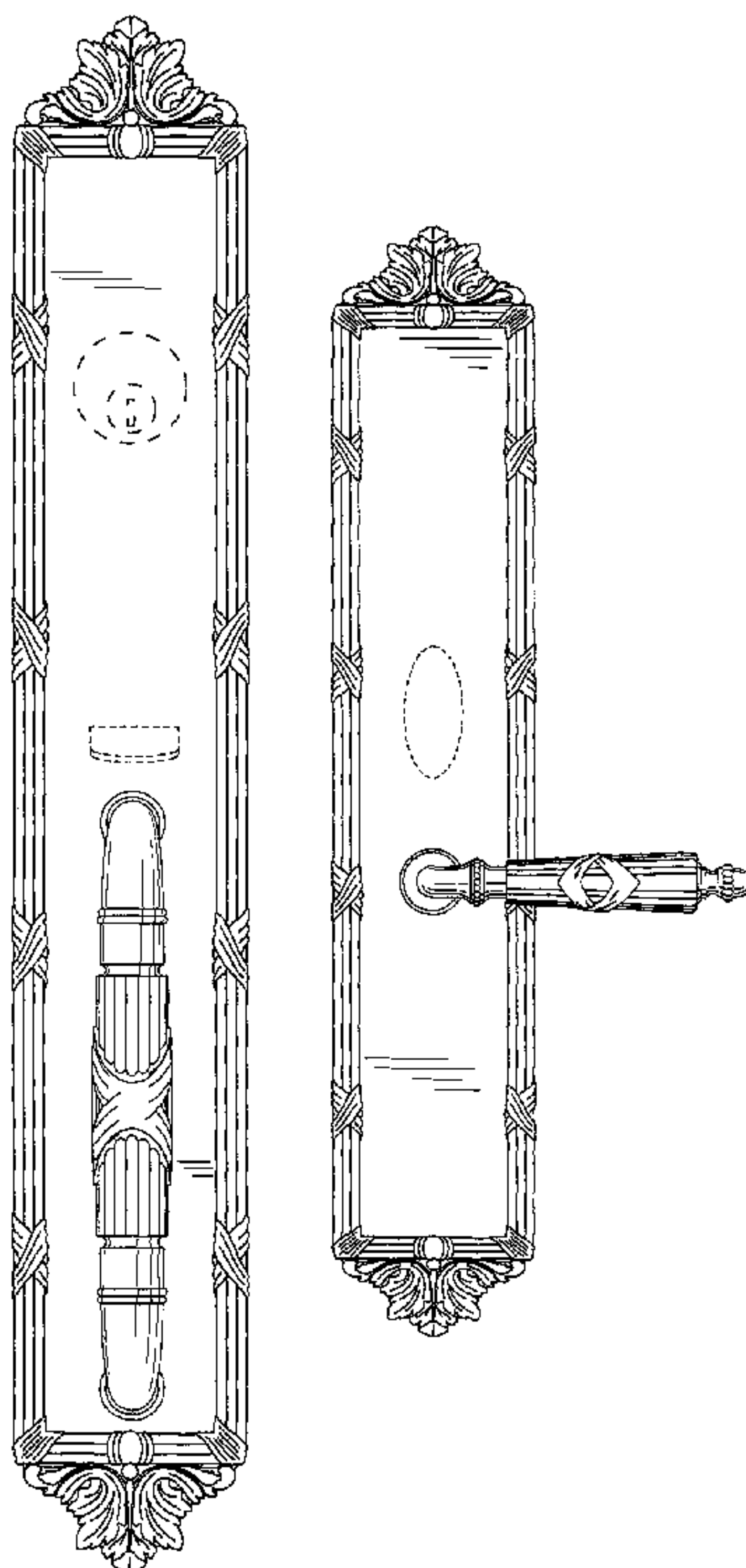


FIG. 1

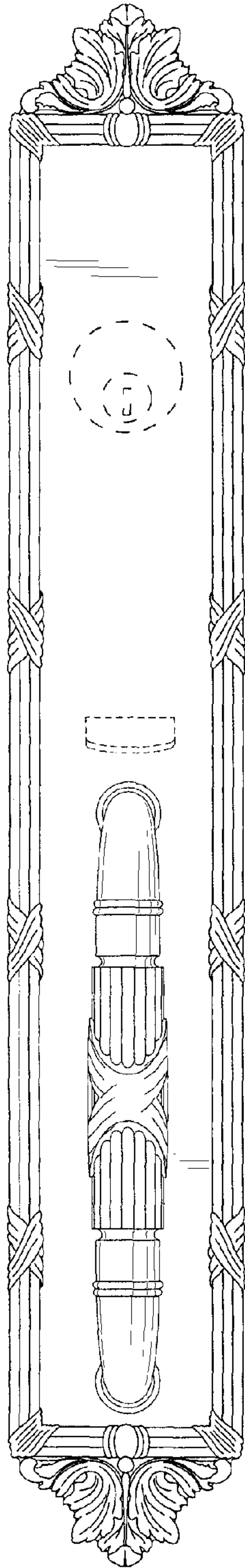


FIG. 2

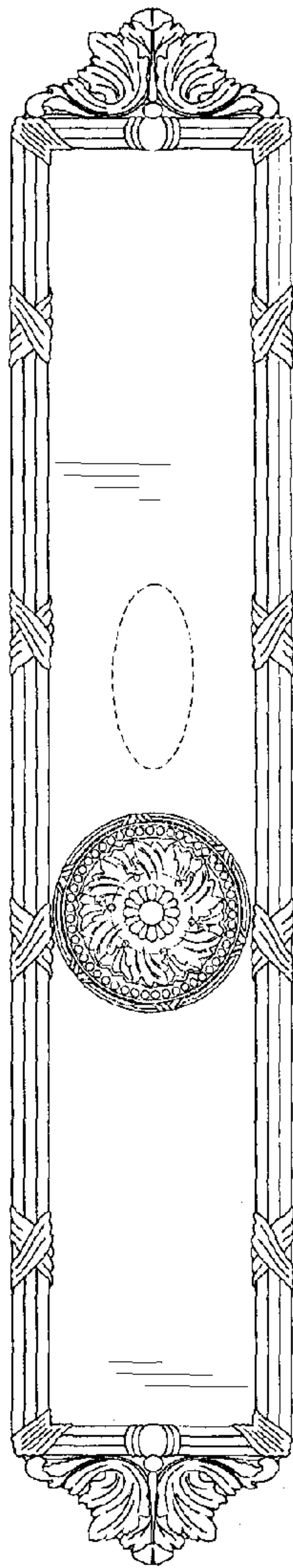


FIG. 3

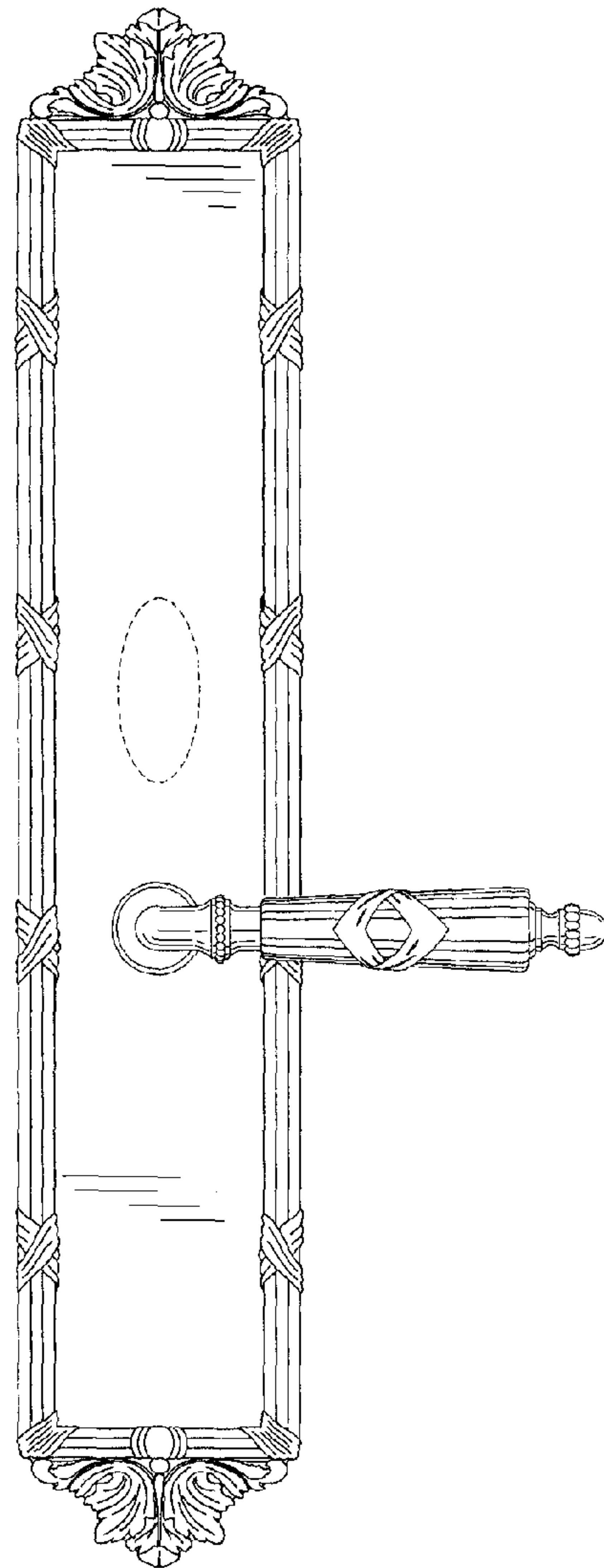


FIG. 4

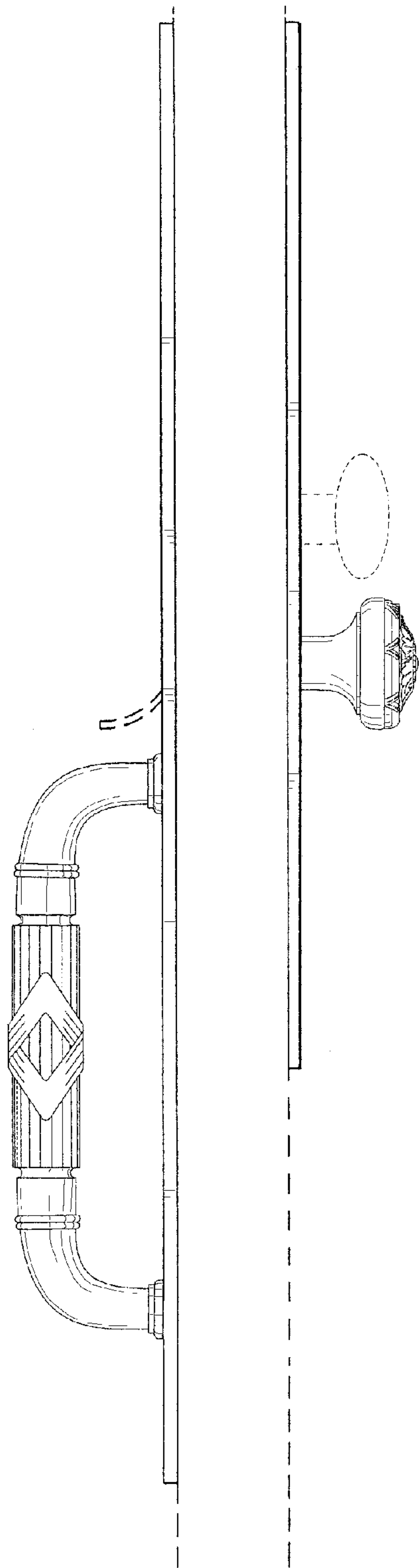


FIG. 5

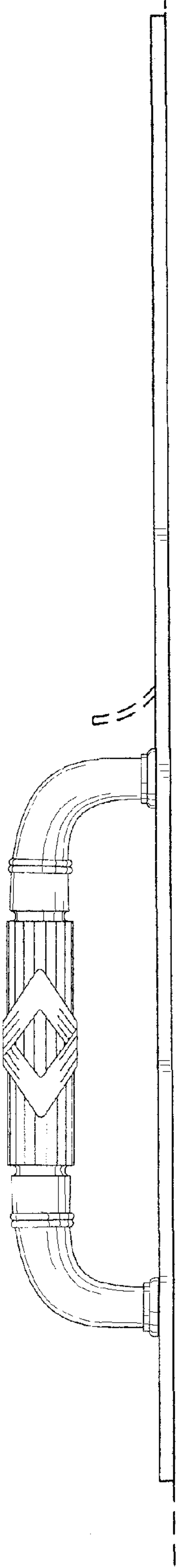


FIG. 6

