



US00D658024S

(12) **United States Design Patent**
Checchi

(10) **Patent No.:** **US D658,024 S**

(45) **Date of Patent:** **** Apr. 24, 2012**

(54) **PNEUMATIC PISTOL GRIP NAIL GUN**

(76) Inventor: **Dennis A. Checchi**, Palm Coast, FL
(US)

(**) Term: **14 Years**

(21) Appl. No.: **29/379,845**

(22) Filed: **Nov. 24, 2010**

(51) **LOC (9) Cl.** **08-05**

(52) **U.S. Cl.** **D8/69**

(58) **Field of Classification Search** D8/68-69;
81/57.11, 429, 454, 455, 456, 469, 489; 173/13,
173/104, 114, 168, 169-171, 178, 201, 211,
173/213, 217, 218, 177; 408/20, 124, 125,
408/234, 241 R; 451/358; 310/50; 227/113,
227/114, 120, 130, 136, 142, 123, 8, 127,
227/119, 148, 169

See application file for complete search history.

(56) **References Cited**

U.S. PATENT DOCUMENTS

D298,509 S * 11/1988 Brosius et al. D8/68
4,844,176 A 7/1989 Podsobinski

5,199,625 A 4/1993 Dewey et al.
D404,626 S * 1/1999 Hall et al. D8/68
6,481,608 B2 * 11/2002 Wohlwend et al. 227/130
6,651,862 B2 11/2003 Driscoll et al.
7,464,768 B2 12/2008 Wang
D619,438 S * 7/2010 Lee D8/68
2009/0045239 A1 2/2009 Jian
2009/0152319 A1 6/2009 Cain et al.

* cited by examiner

Primary Examiner — Antoine D Davis

(57) **CLAIM**

The ornamental design for a pneumatic pistol grip nail gun, as shown and described.

DESCRIPTION

FIG. 1 is a side view of a pneumatic pistol grip nail gun showing my new design (opposite side view is mirror image thereof);

FIG. 2 is a front view thereof;

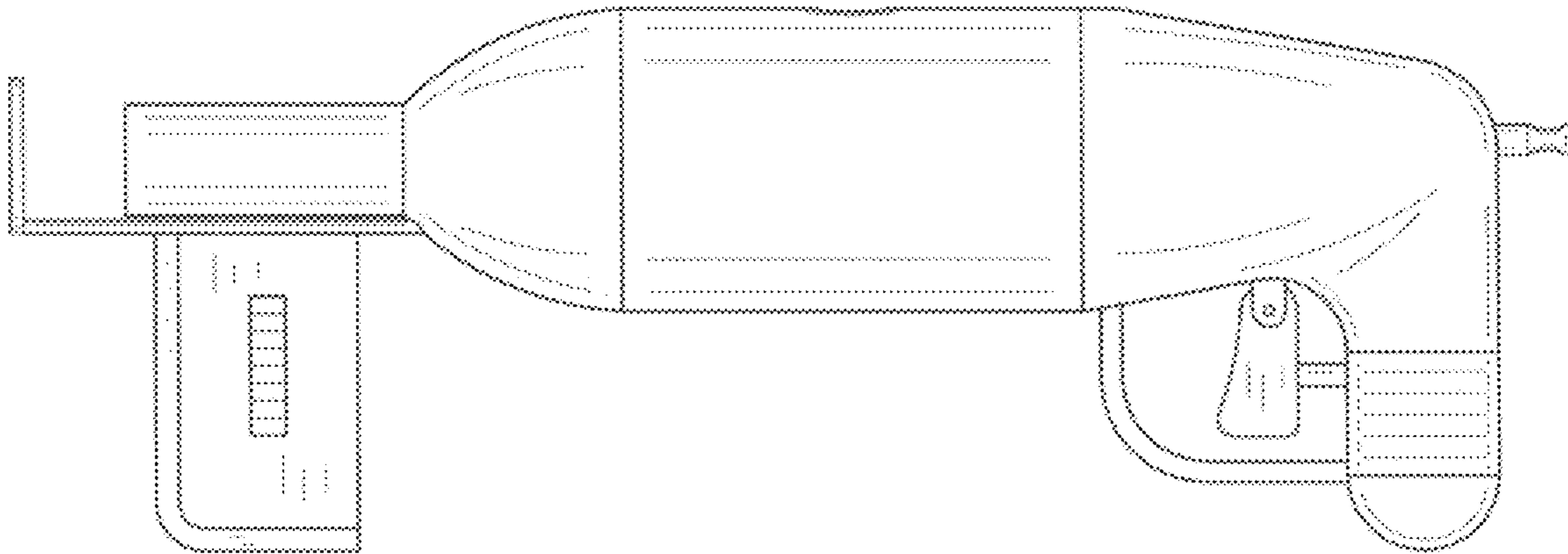
FIG. 3 is a back view thereof;

FIG. 4 is a top view thereof;

FIG. 5 is a bottom view thereof; and,

FIG. 6 is a perspective view thereof.

1 Claim, 4 Drawing Sheets



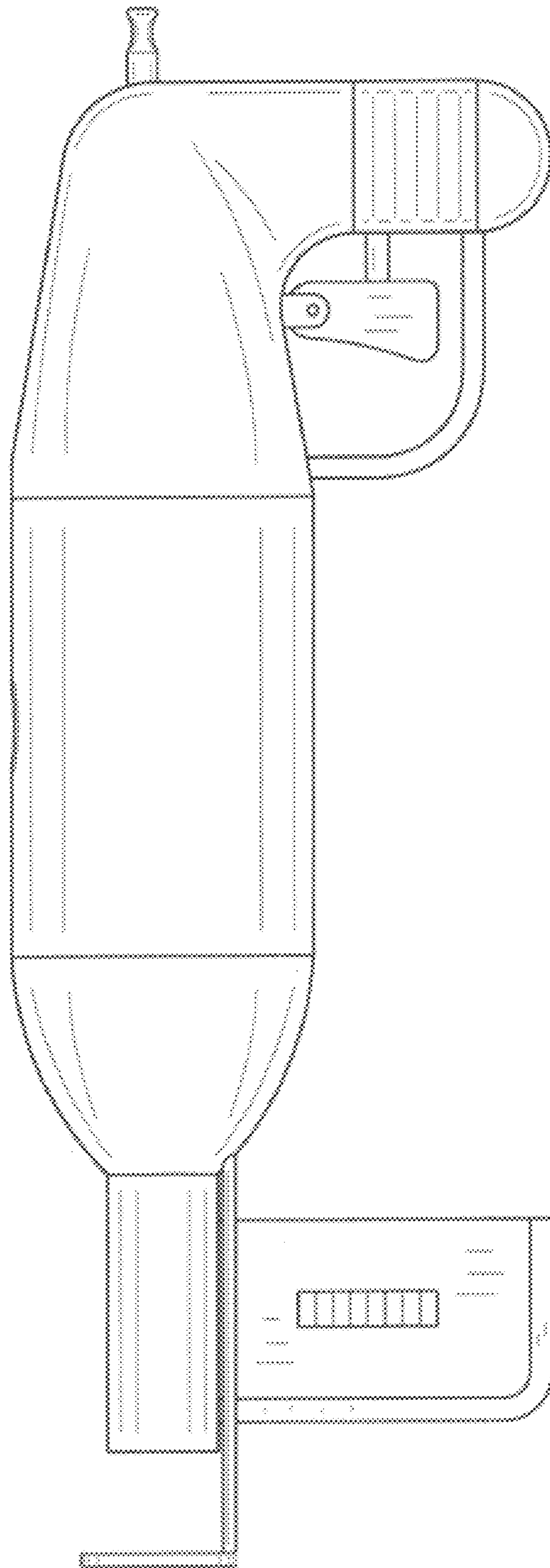


FIG. 1

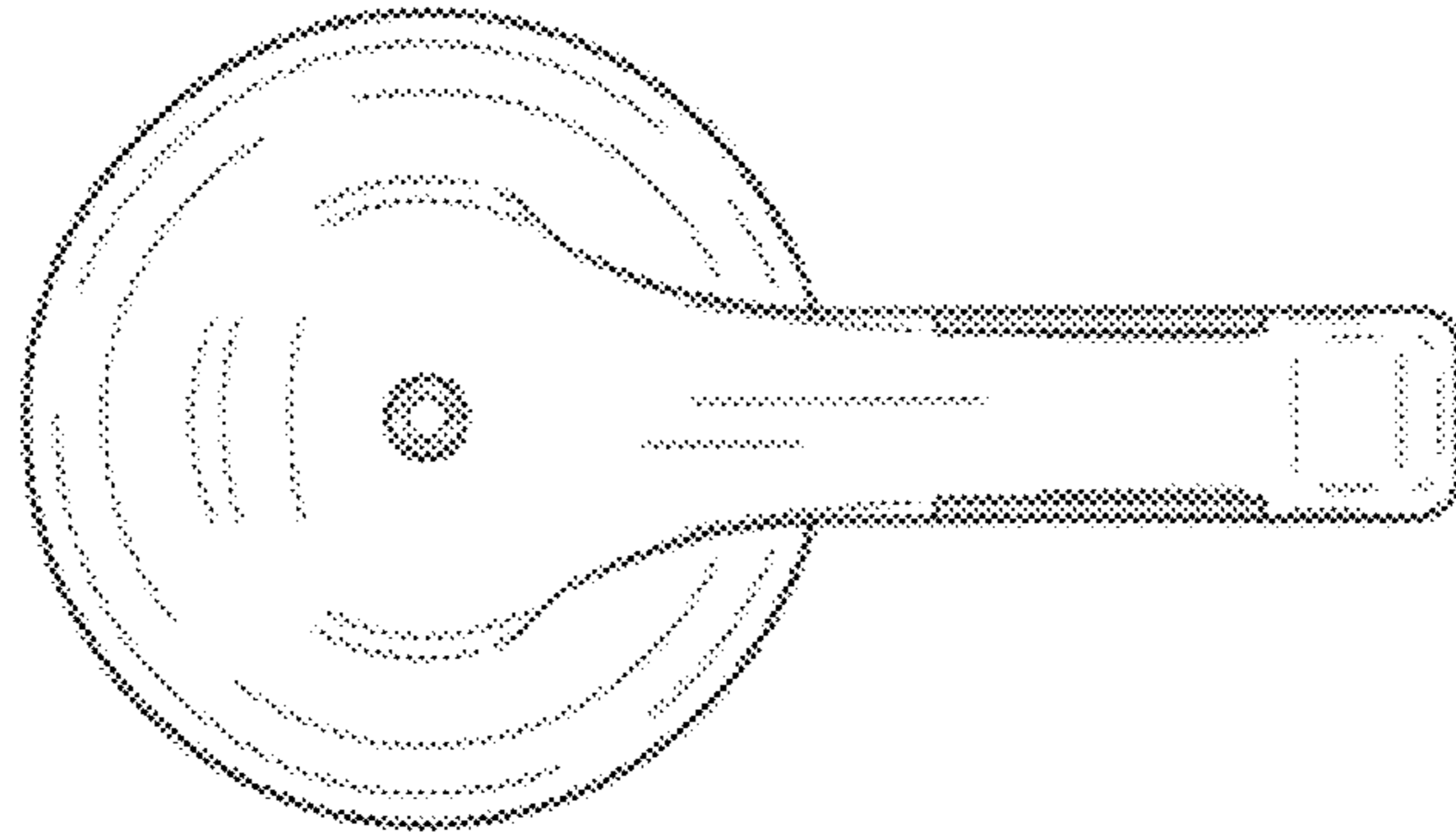


FIG. 2

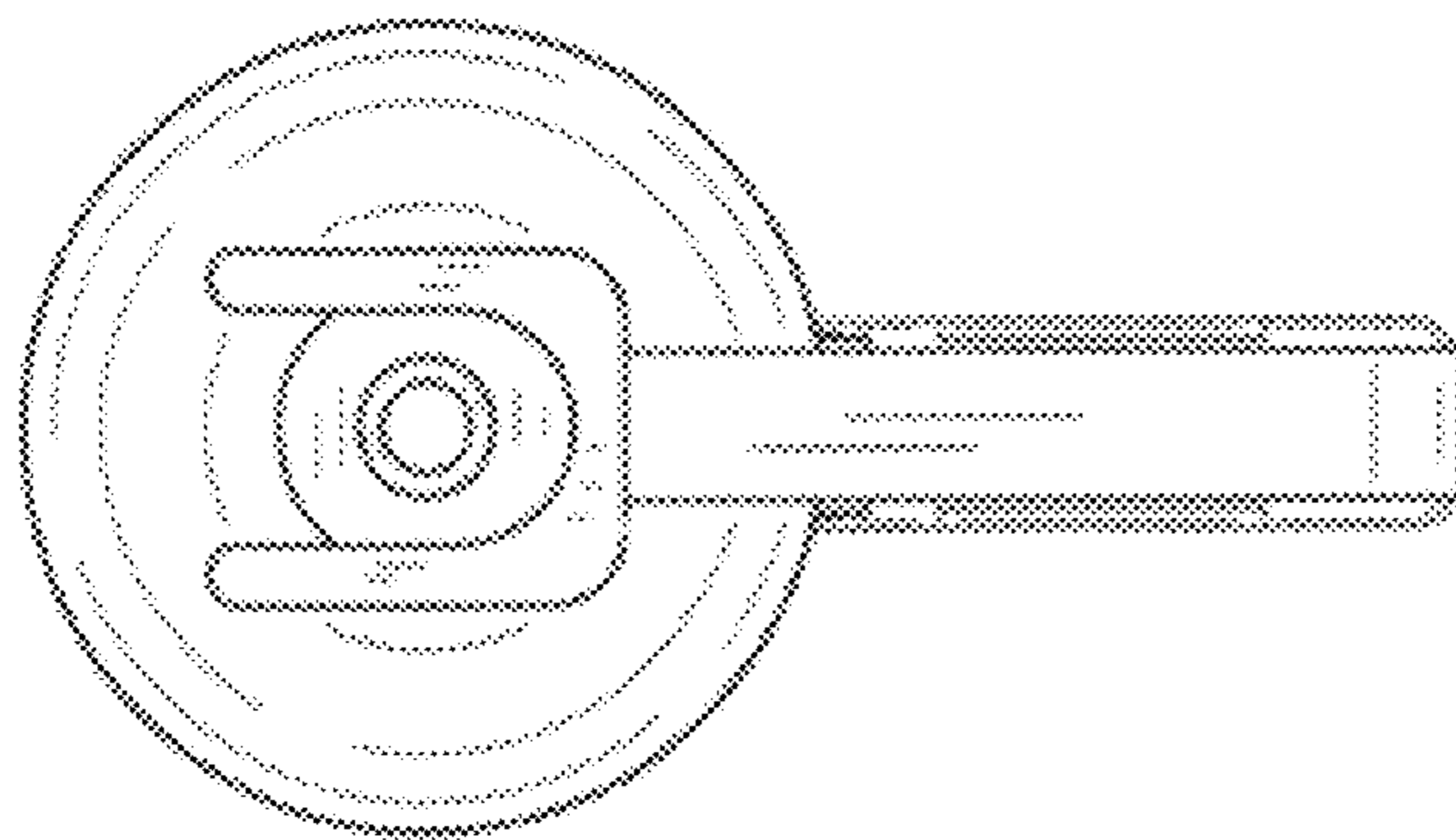


FIG. 3

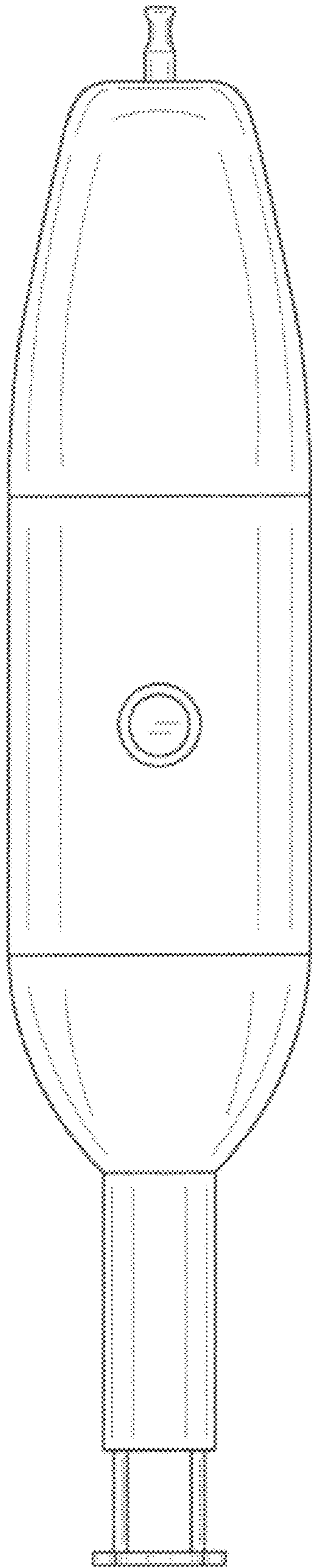


FIG. 4

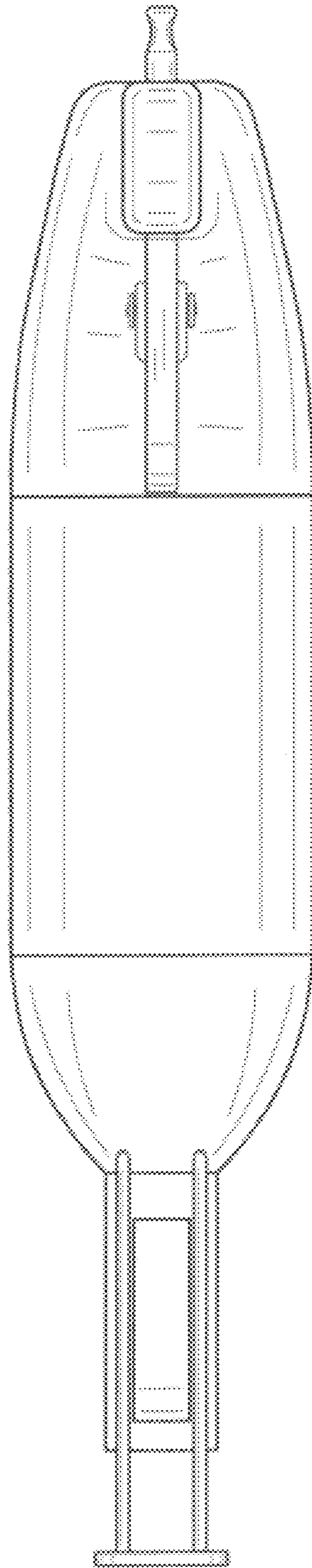


FIG. 5

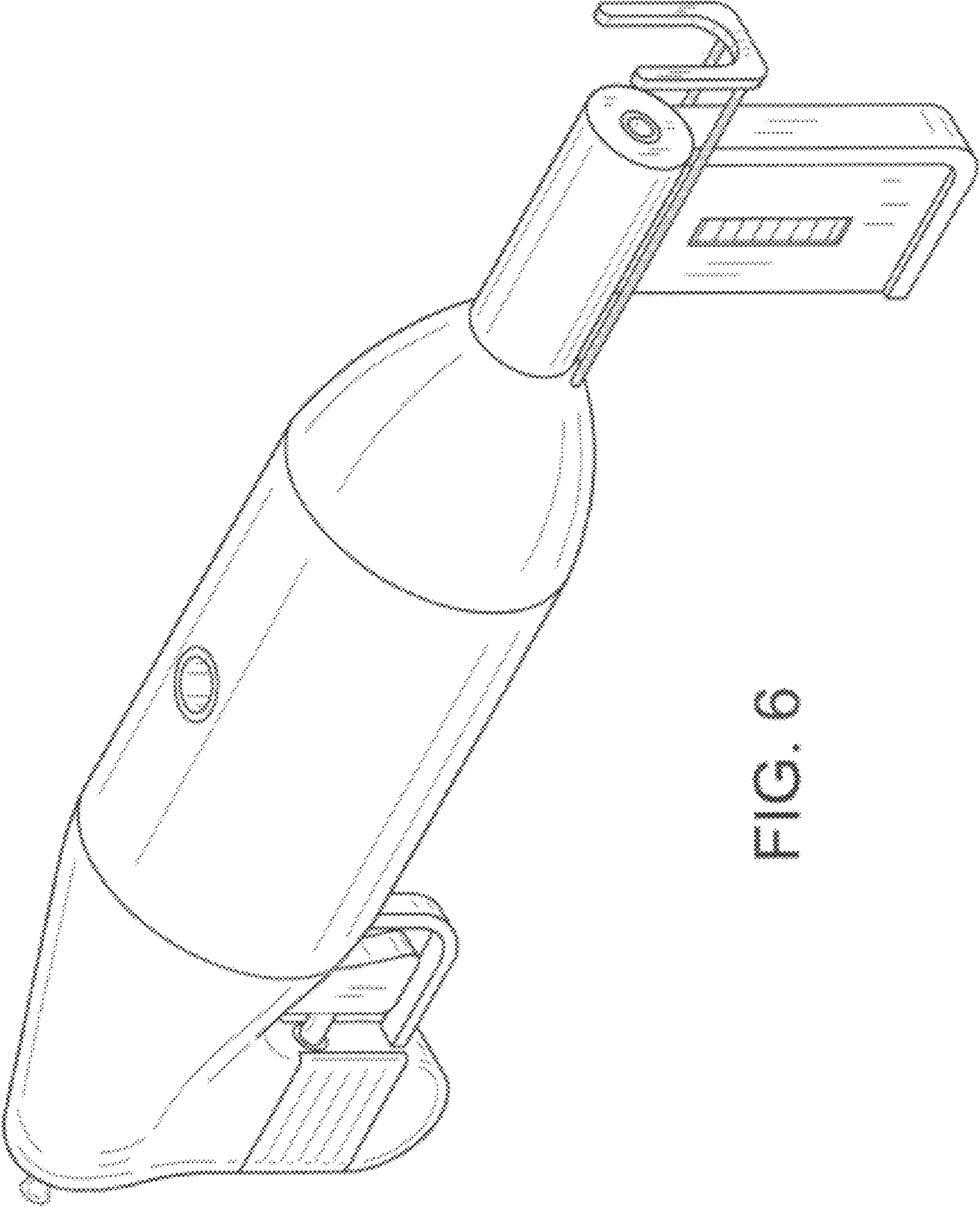


FIG. 6