



US00D658023S

(12) **United States Design Patent**  
**Yamamoto et al.**

(10) **Patent No.:** **US D658,023 S**  
(45) **Date of Patent:** **\*\* Apr. 24, 2012**

(54) **PORTABLE ELECTRIC SANDER**

FOREIGN PATENT DOCUMENTS

(75) Inventors: **Yuji Yamamoto**, Anjo (JP); **Fumihide Sugita**, Anjo (JP)

JP D1412559 S 5/2011

\* cited by examiner

(73) Assignee: **Makita Corporation**, Anjo-shi (JP)

*Primary Examiner* — Austin Murphy

(74) *Attorney, Agent, or Firm* — Global IP Counselors, LLP

(\*\*) Term: **14 Years**

(21) Appl. No.: **29/403,953**

(57) **CLAIM**

The ornamental design for a portable electric sander, as shown and described.

(22) Filed: **Oct. 13, 2011**

**DESCRIPTION**

(30) **Foreign Application Priority Data**

Jun. 16, 2011 (JP) ..... 2011-13698

(51) **LOC (9) Cl.** ..... **08-01**

(52) **U.S. Cl.** ..... **D8/62**

(58) **Field of Classification Search** ..... D8/67,  
D8/62, 61, 70; D32/15, 17, 19; D4/102;  
451/456, 451, 359, 358, 357, 356, 355, 364,  
451/344; 144/154.5, 373; 30/475

See application file for complete search history.

FIG. 1 is a front perspective view of a portable electric sander in accordance with our new design;

FIG. 2 is a rear perspective view of the portable electric sander in accordance with our new design;

FIG. 3 is a front elevational view of the portable electric sander in accordance with our new design;

FIG. 4 is a rear elevational view of the portable electric sander in accordance with our new design;

FIG. 5 is a top plan view of the portable electric sander in accordance with our new design;

FIG. 6 is a bottom plan view of the portable electric sander in accordance with our new design;

FIG. 7 is a right side elevational view of the portable electric sander in accordance with our new design;

FIG. 8 is a left side elevational view of the portable electric sander in accordance with our new design; and,

FIG. 9 is a front perspective view of the portable electric sander in accordance with our new design illustrating a state in which a battery is attached to the portable electric sander.

The broken line showing of environment in FIGS. 1-9 is for illustrative purposes only and forms no part of the claimed design.

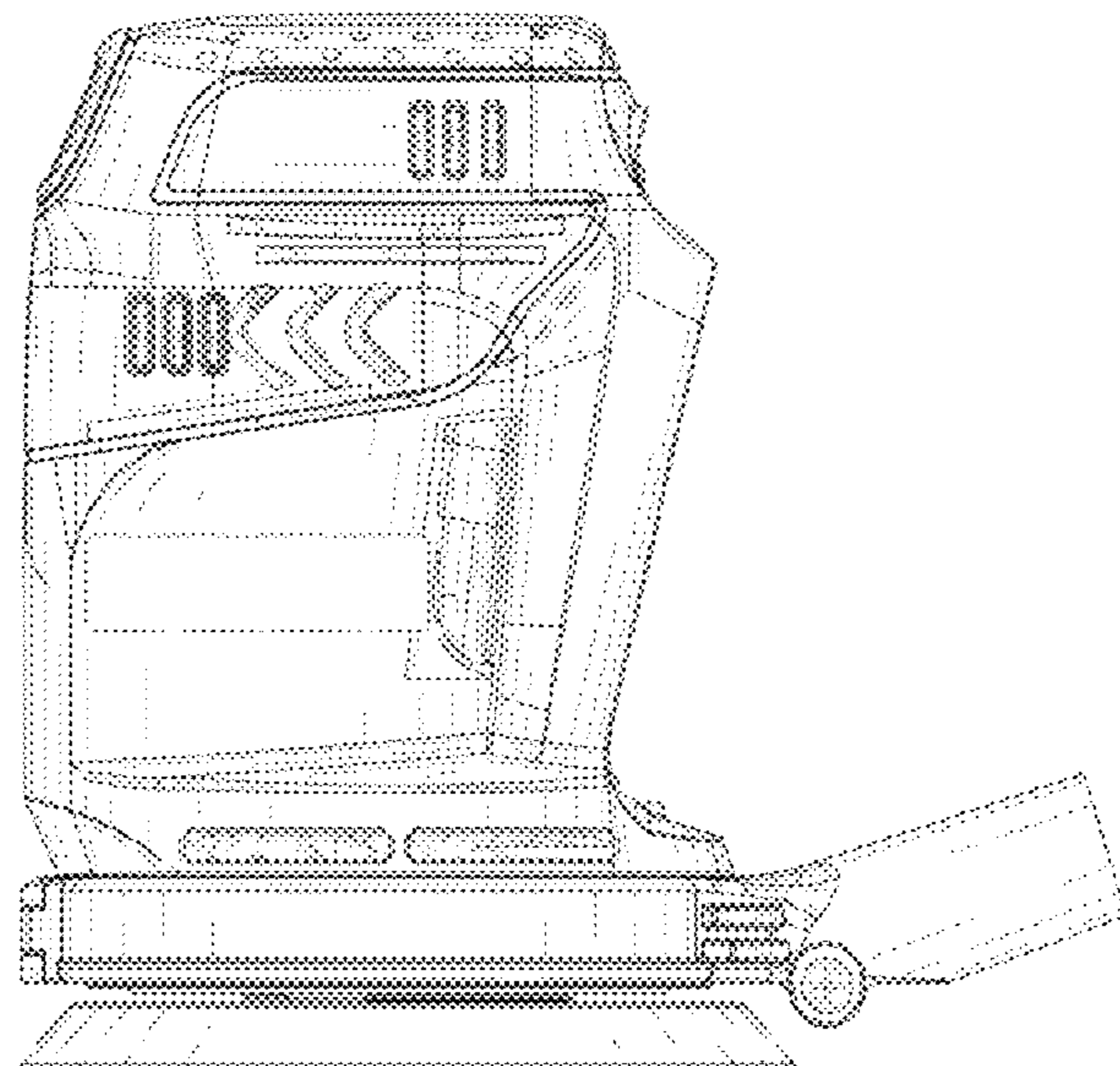
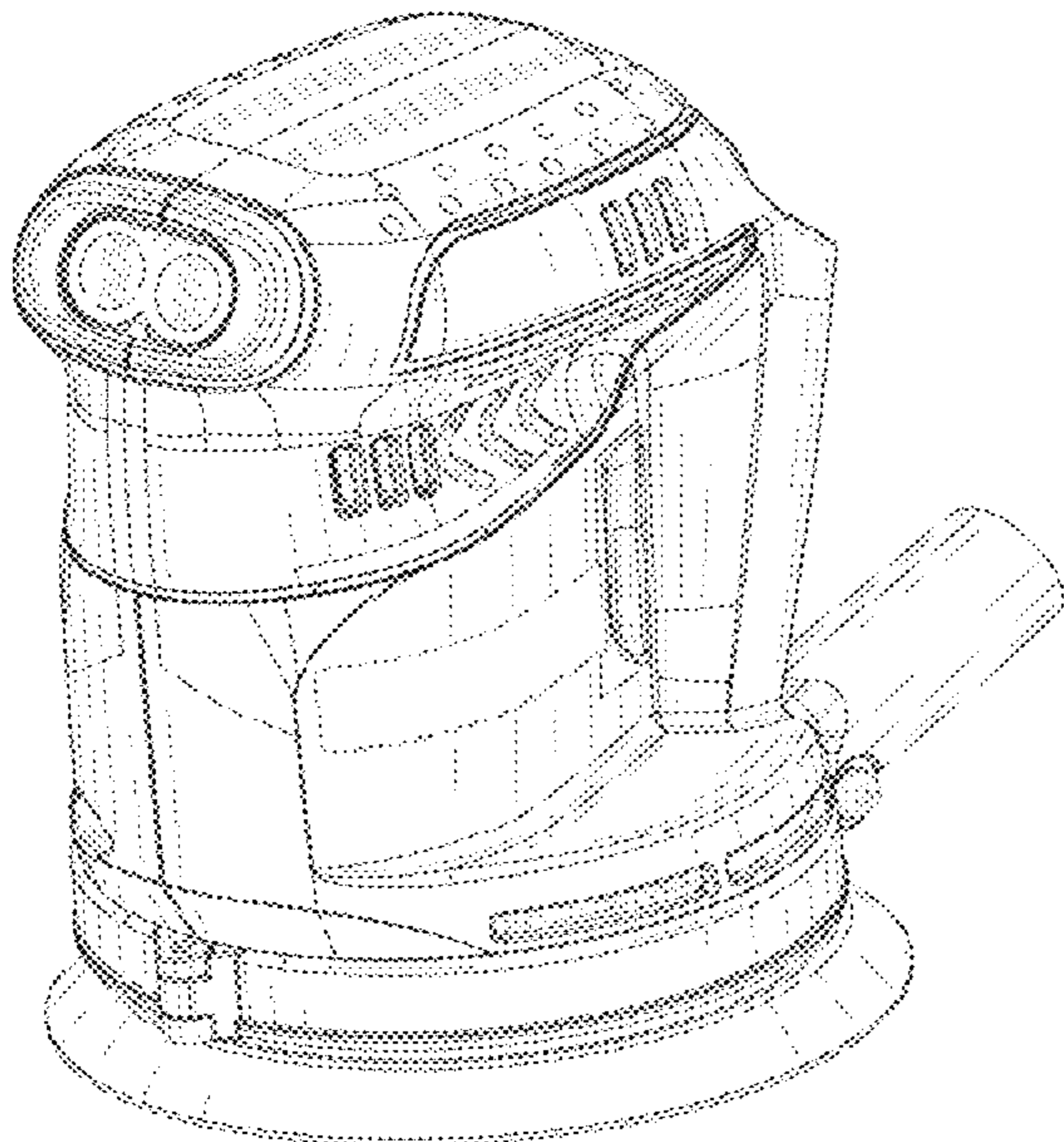
The broken line showing of environment in FIGS. 1-9 is for illustrative purposes only and forms no part of the claimed design.

(56) **References Cited**

**U.S. PATENT DOCUMENTS**

D326,398 S *	5/1992	Fushiya et al.	.....	D8/62
D386,376 S *	11/1997	Kaneko et al.	.....	D8/62
D414,666 S *	10/1999	Cortes	.....	D8/62
D468,178 S *	1/2003	Wright et al.	.....	D8/62
D475,908 S *	6/2003	Boyer	.....	D8/61
D488,365 S *	4/2004	Liu	.....	D8/62
D490,676 S *	6/2004	Wright	.....	D8/62
D509,417 S *	9/2005	Wikle et al.	.....	D8/62
D558,017 S *	12/2007	Cooper et al.	.....	D8/62
D567,047 S *	4/2008	Okuda et al.	.....	D8/62
D585,258 S *	1/2009	Nojiri et al.	.....	D8/62
D618,867 S *	6/2010	Schouten	.....	D32/19
D636,243 S *	4/2011	Liu et al.	.....	D8/62

**1 Claim, 9 Drawing Sheets**



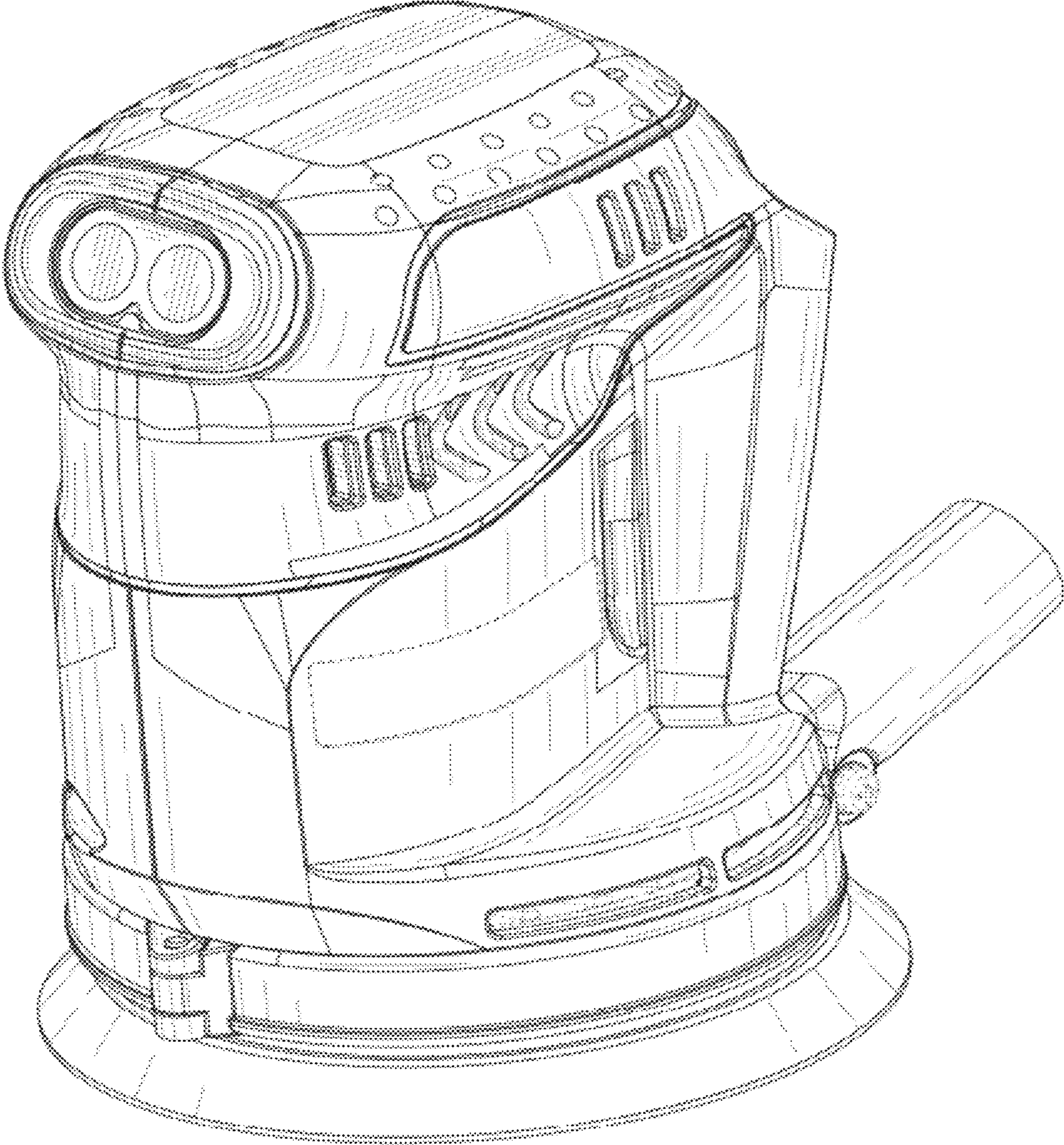


FIG. 1

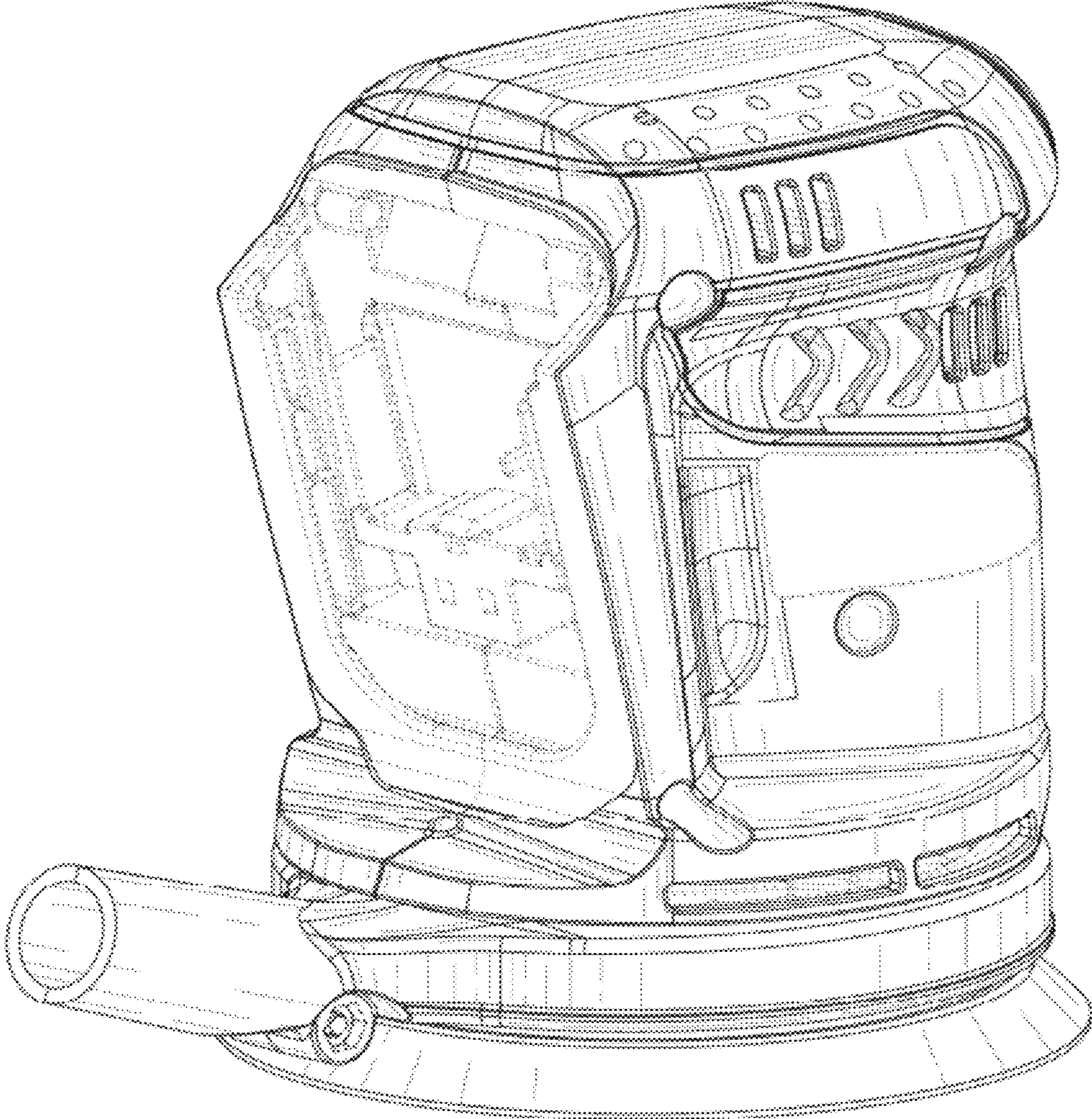


FIG. 2

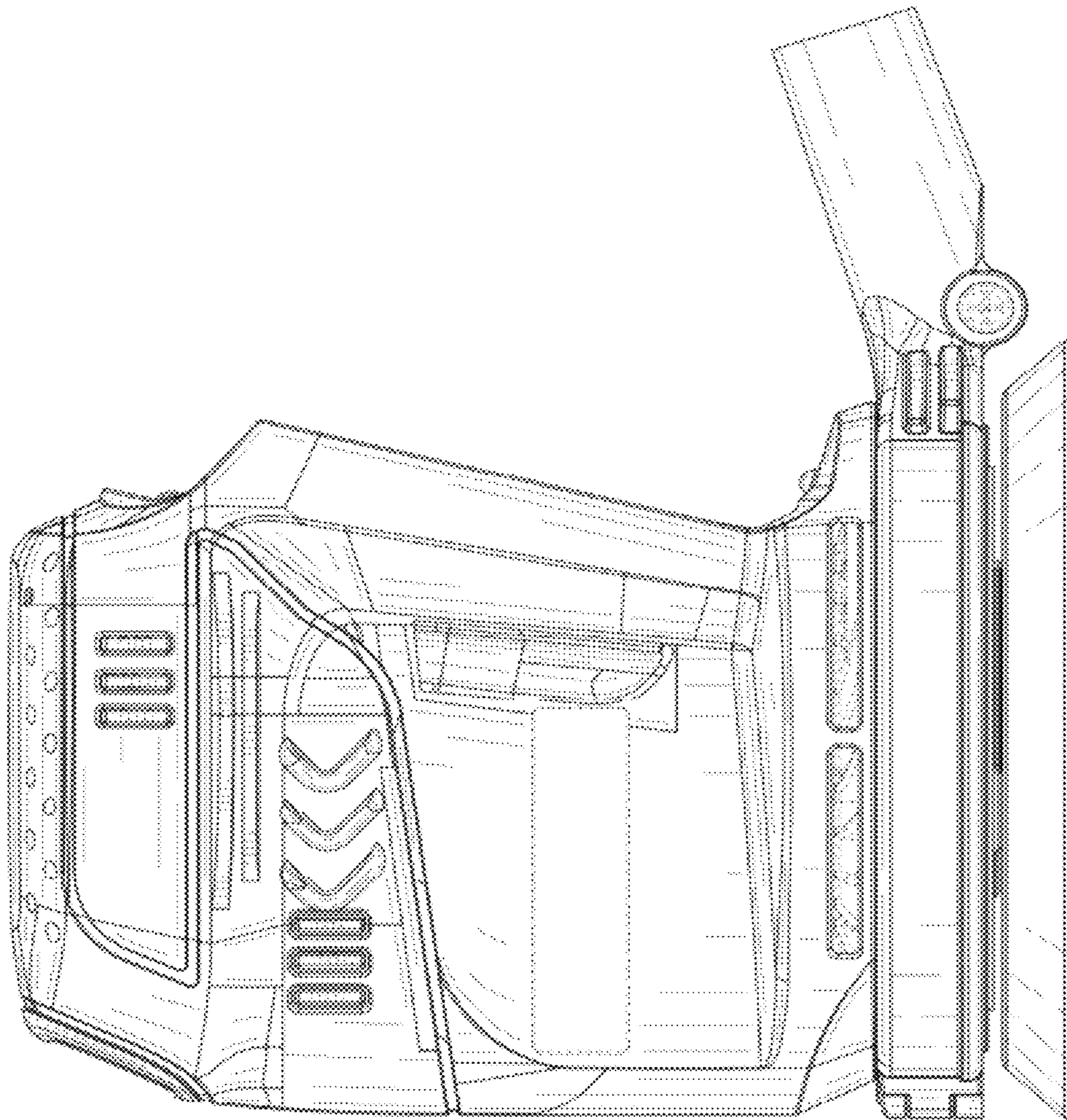


FIG. 3

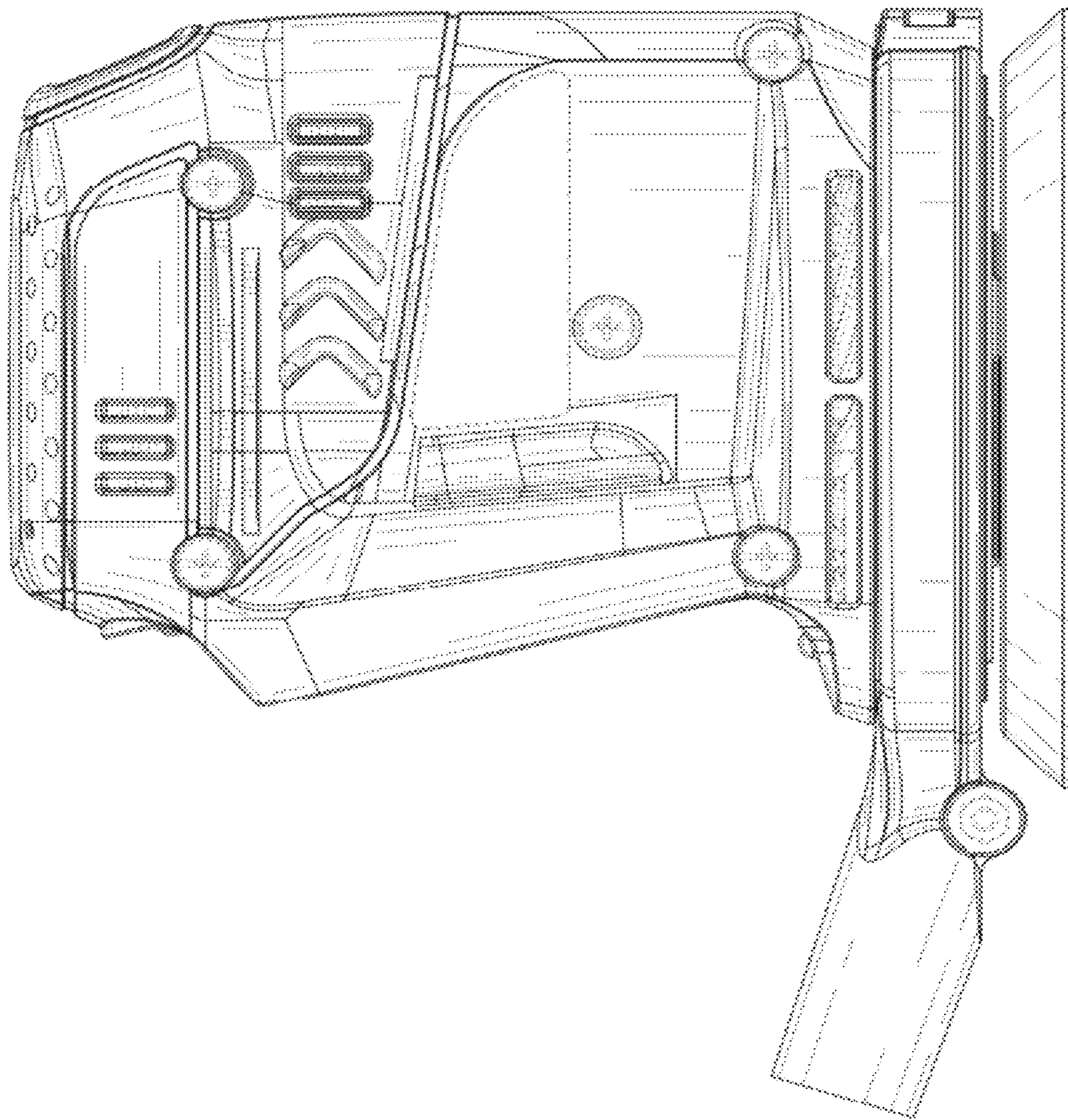


FIG. 4

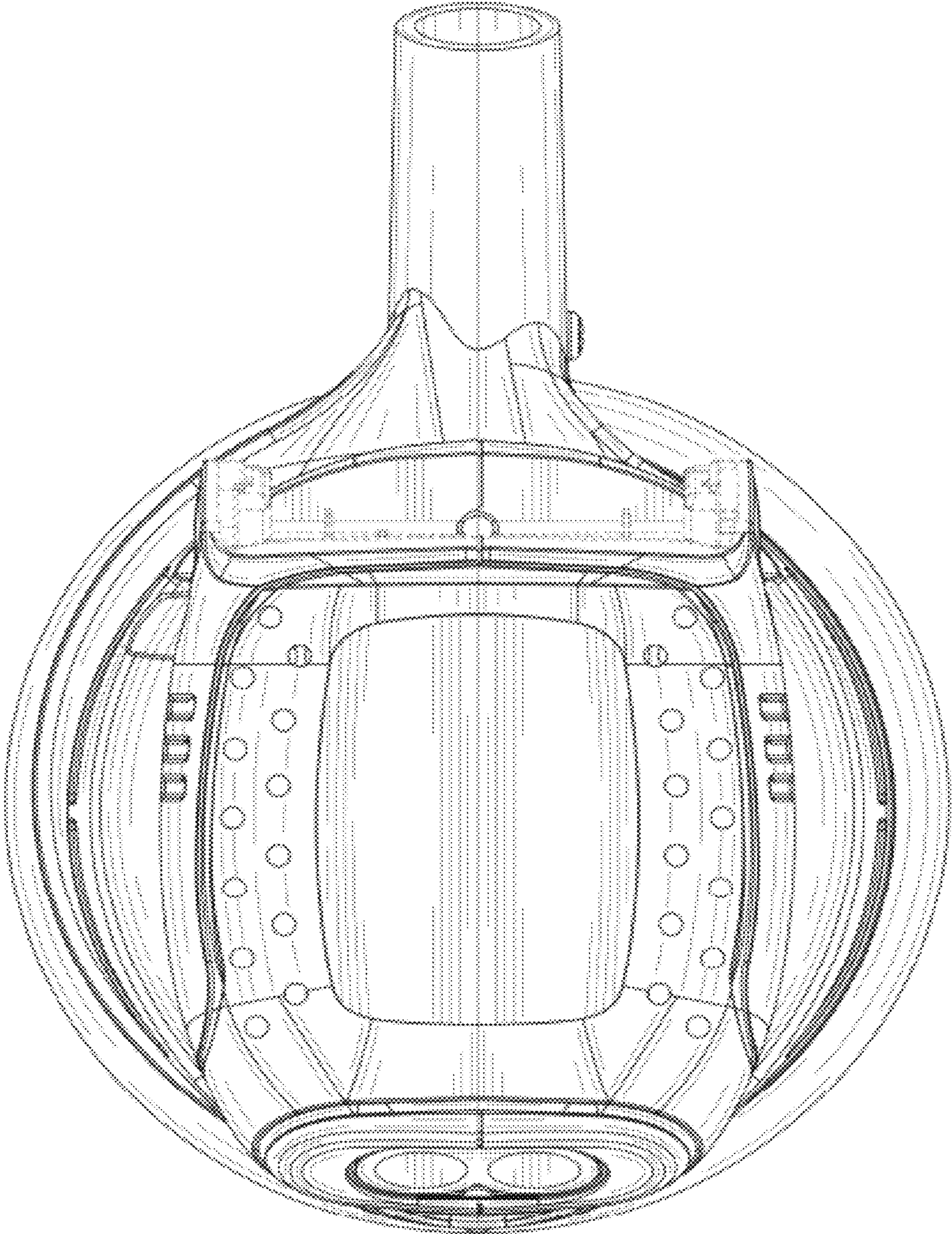


FIG. 5

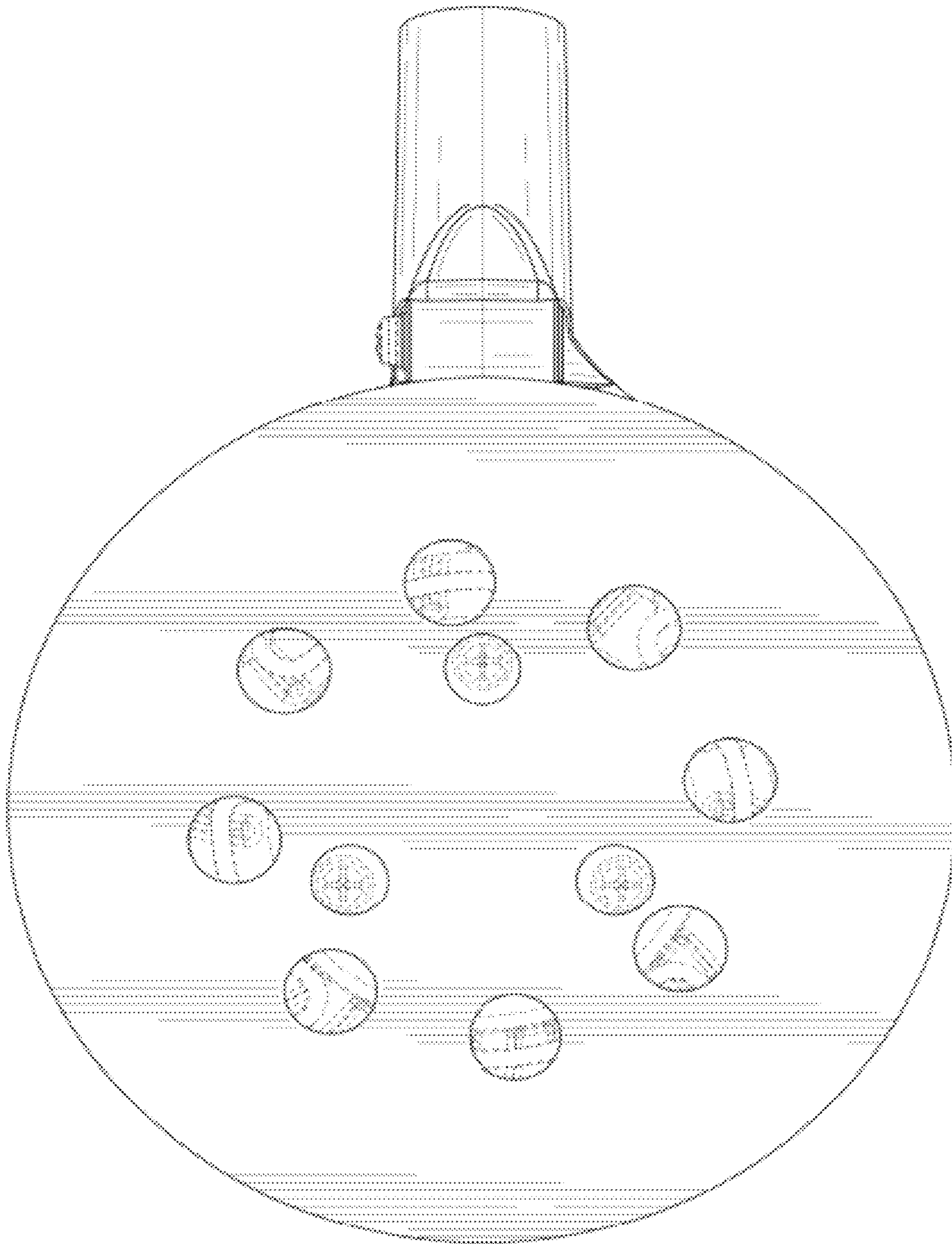
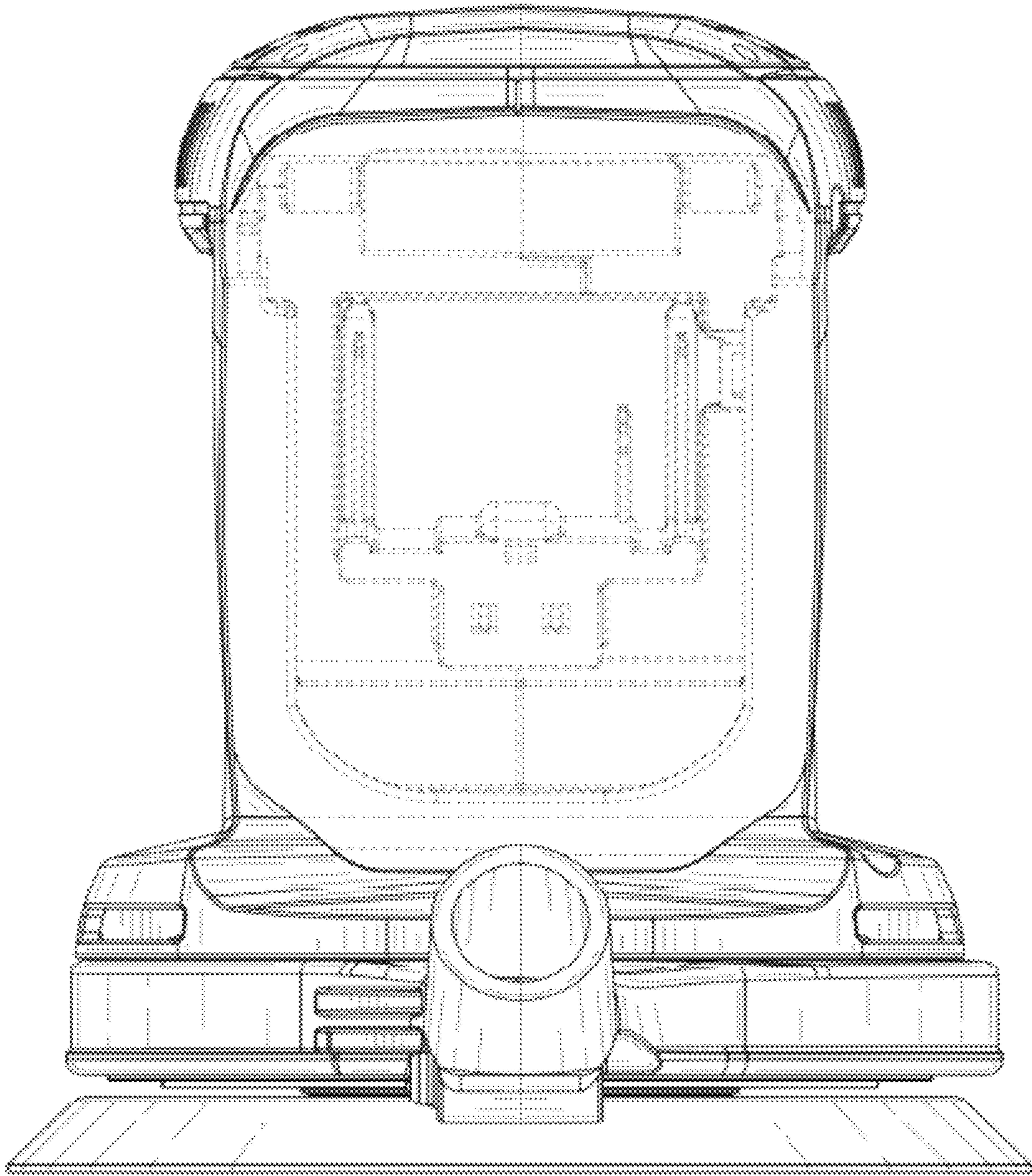


FIG. 6



**FIG. 7**



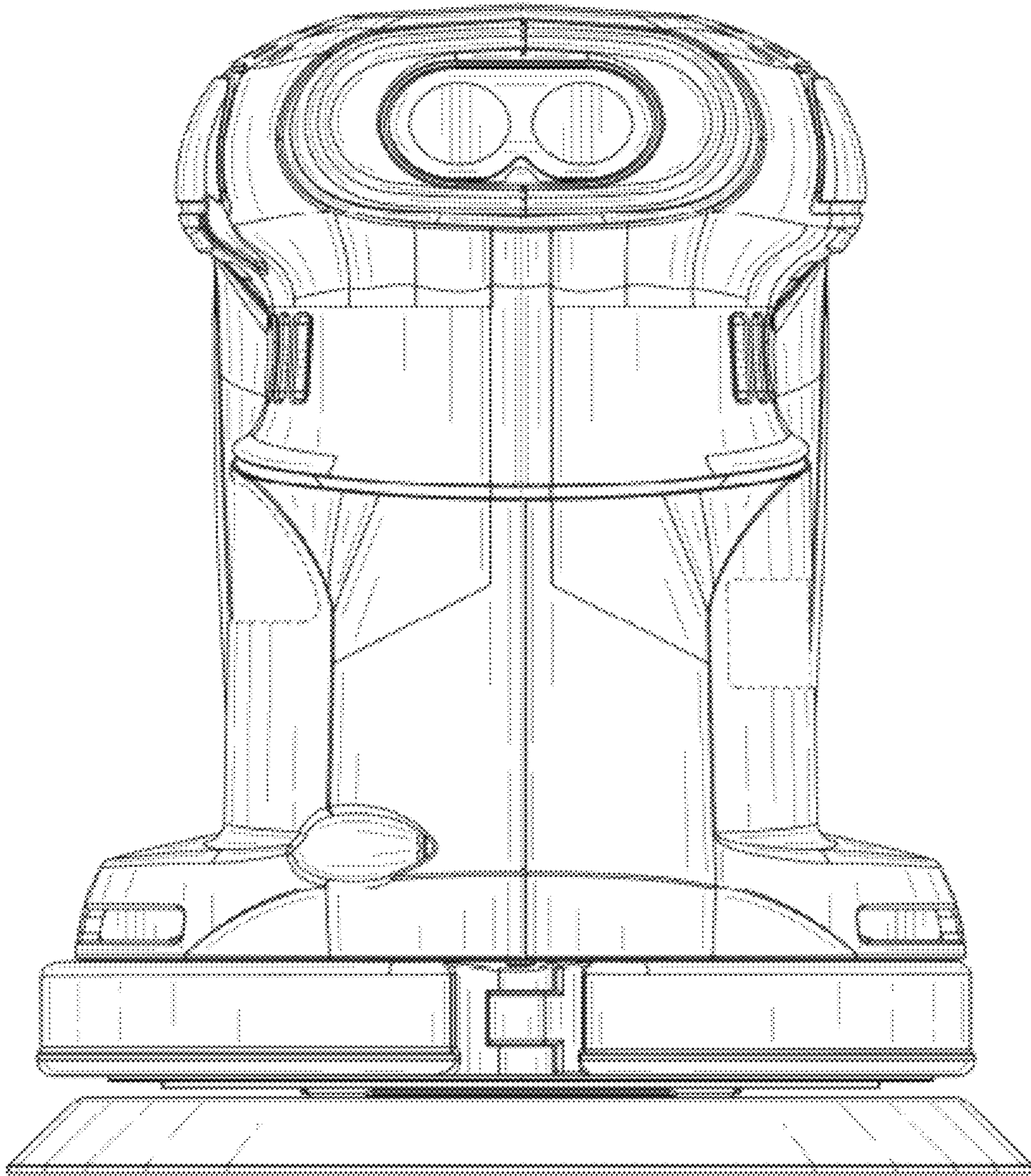


FIG. 8

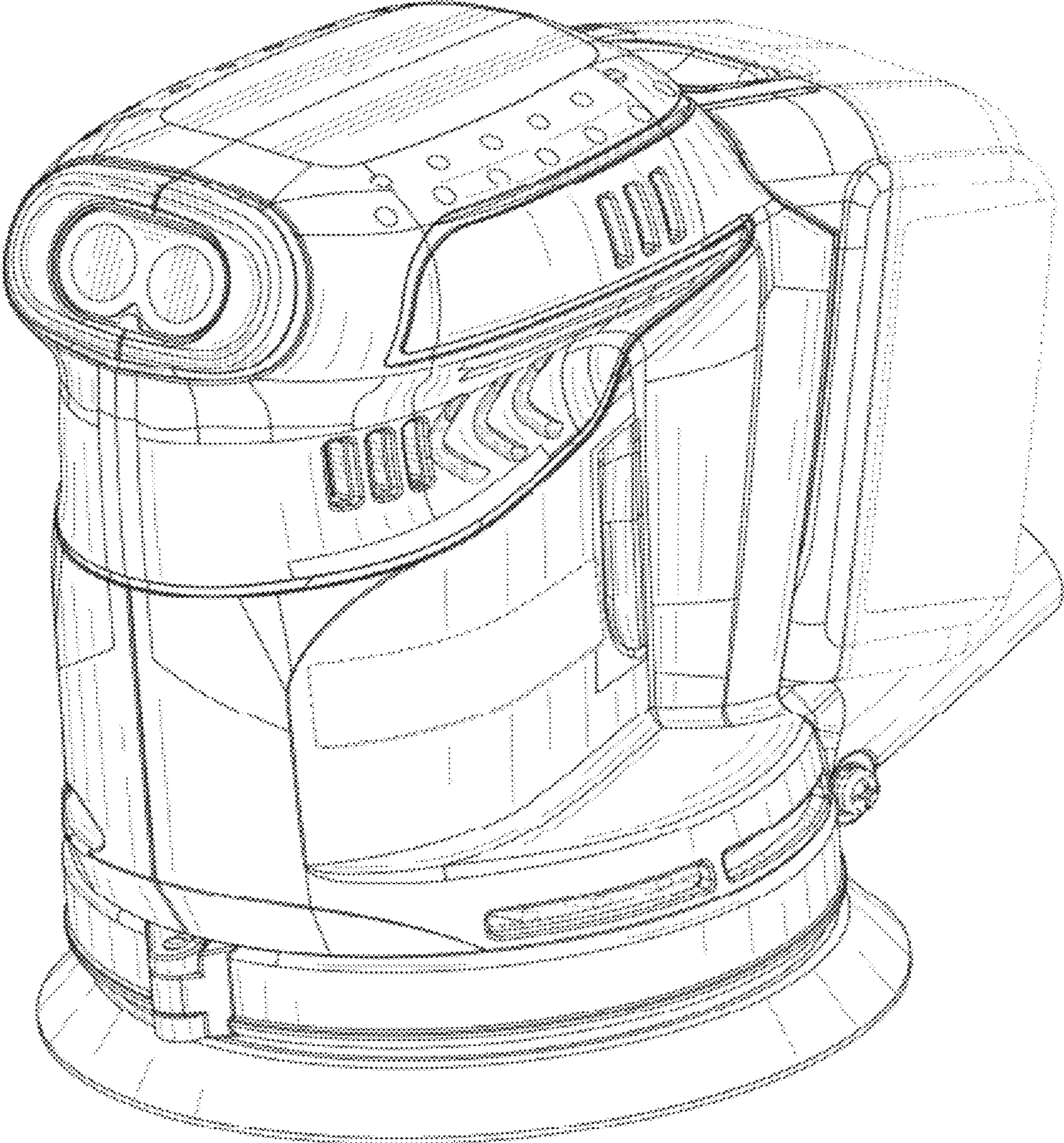


FIG. 9