



US00D658016S

(12) **United States Design Patent**  
**Grass**

(10) **Patent No.:** **US D658,016 S**

(45) **Date of Patent:** **\*\* Apr. 24, 2012**

(54) **HANDLE**

(75) Inventor: **Jonathan L. Grass**, Tucson, AZ (US)

(73) Assignee: **Fish Tales, LLC**, Oro Valley, AZ (US)

(\*\*) Term: **14 Years**

(21) Appl. No.: **29/378,493**

(22) Filed: **Nov. 4, 2010**

(51) **LOC (9) Cl.** ..... **07-03**

(52) **U.S. Cl.** ..... **D7/649; D7/401.2**

(58) **Field of Classification Search** ..... D7/368,  
D7/395, 401.2, 642-646, 649-654, 660-664,  
D7/669, 675-676, 683, 688-692, 695-696;  
D8/25, 83, 99, 107, 303; D22/118; D32/52;  
30/137, 141-143, 147-150, 322-327, 329,  
30/340, 342-344; 416/70 R

See application file for complete search history.

(56) **References Cited**

**U.S. PATENT DOCUMENTS**

D295,011 S *	4/1988	Herron et al. ....	D7/649
D323,448 S *	1/1992	Salviato .....	D7/649
D378,798 S *	4/1997	Berti .....	D8/107
D397,190 S *	8/1998	Balolia .....	D22/118
D414,989 S *	10/1999	Shamoon .....	D7/649
D424,380 S *	5/2000	McCatty .....	D7/649
D480,189 S *	9/2003	Libman et al. ....	D32/52

D494,426 S *	8/2004	Prokop .....	D7/652
D553,468 S *	10/2007	Freeman .....	D8/99
D554,428 S *	11/2007	Smith et al. ....	D7/401.2
D582,243 S *	12/2008	Freeman et al. ....	D8/107
D636,053 S *	4/2011	Freeman et al. ....	D22/118
D639,632 S *	6/2011	Freeman et al. ....	D8/99

\* cited by examiner

*Primary Examiner* — Ricky Pham

(74) *Attorney, Agent, or Firm* — Dale F. Regelman; Quarles & Brady LLP

(57) **CLAIM**

The ornamental design for a handle, as shown and described.

**DESCRIPTION**

FIG. 1 is a perspective view of Applicant's handle design; FIG. 2 is a side view of the handle design of FIG. 1; FIG. 3 is a second side view of the handle design of FIG. 1; FIG. 4 is a top view of the handle design of FIG. 1; FIG. 5 is a bottom view of the handle design of FIG. 1; FIG. 6 is a front view of the handle design of FIG. 1; and, FIG. 7 is a rear view of the handle design of FIG. 1. The broken lines showing the blade in FIG. 1 is for illustrative purpose only and form no part of the claimed design.

**1 Claim, 2 Drawing Sheets**

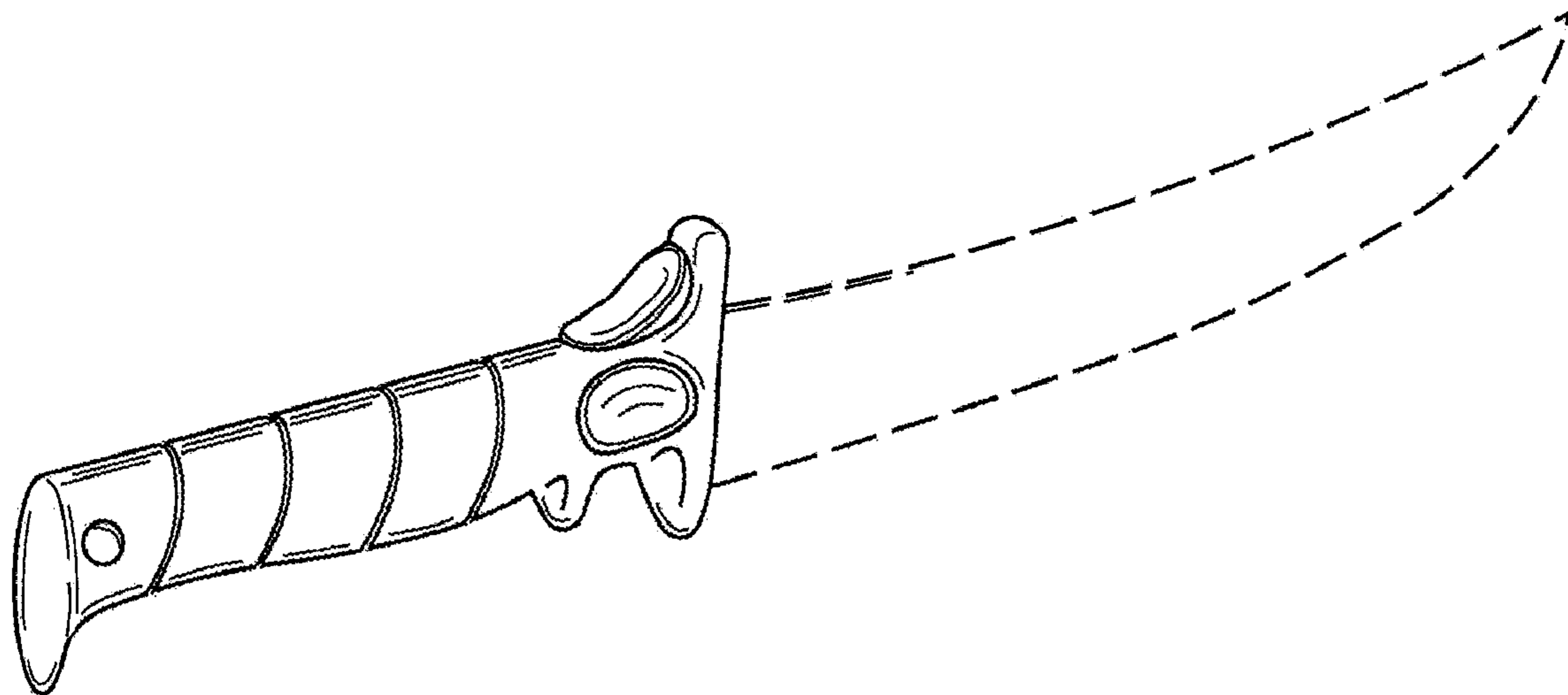


FIG. 1

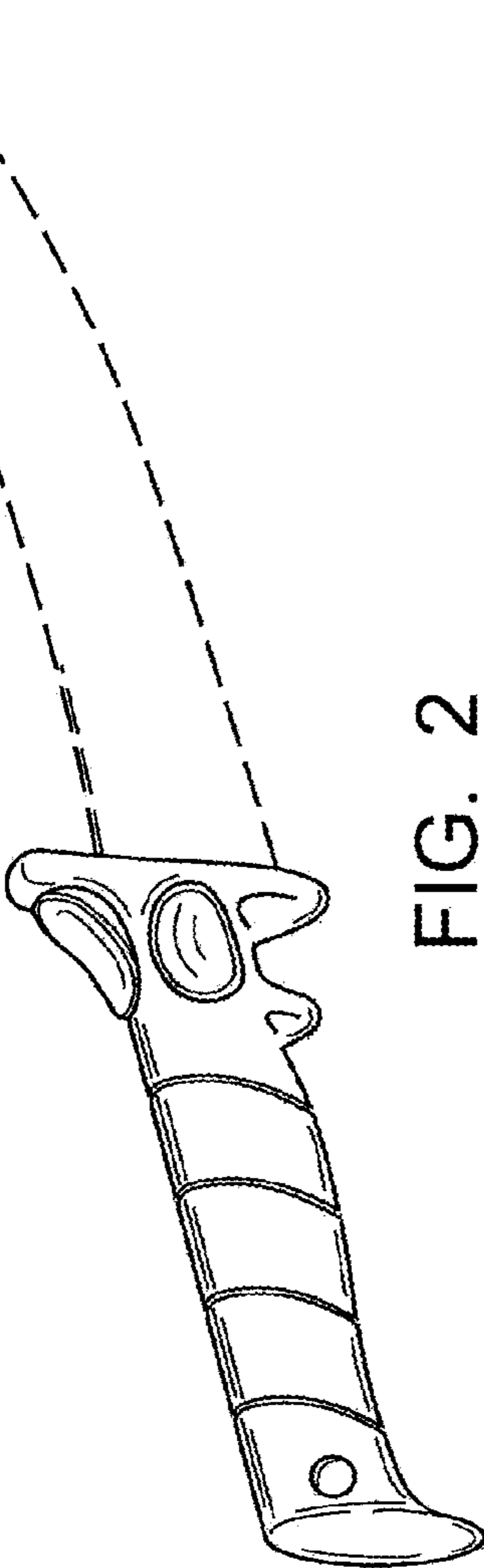


FIG. 2

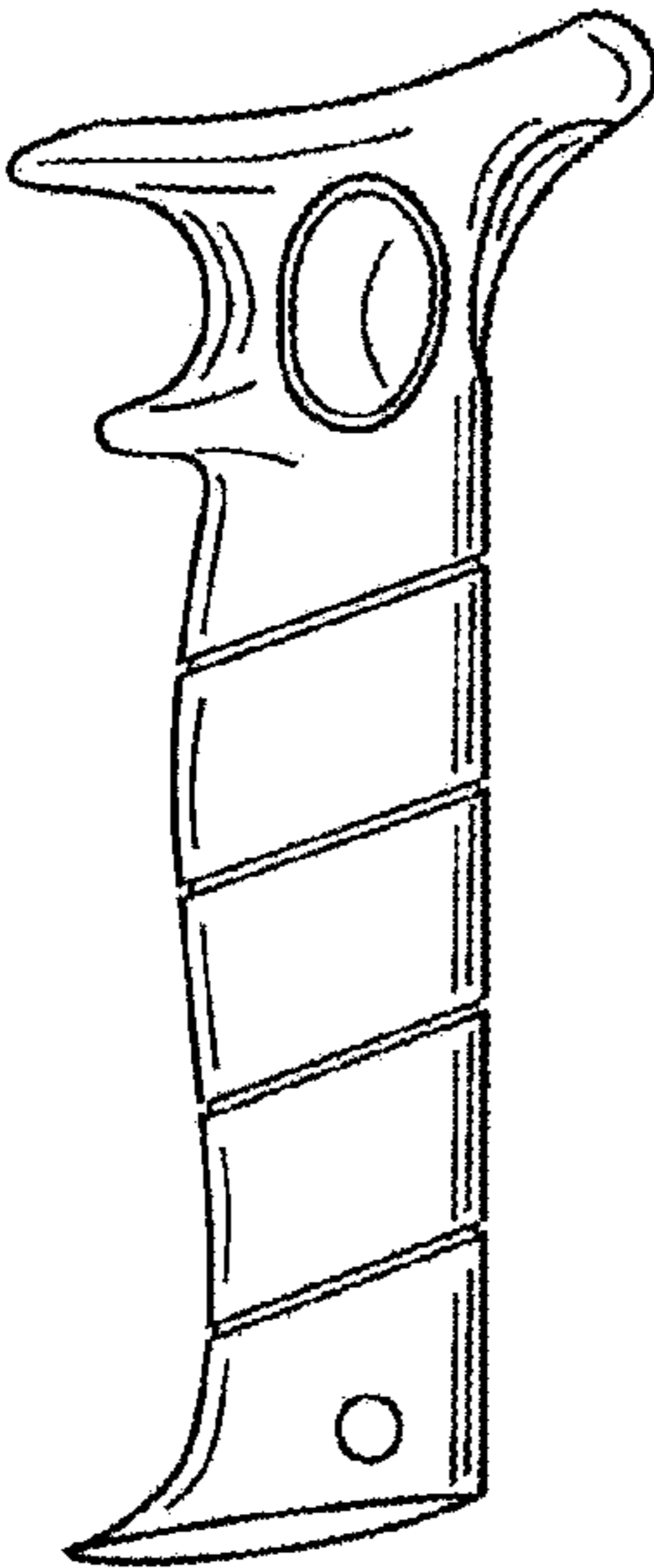


FIG. 3

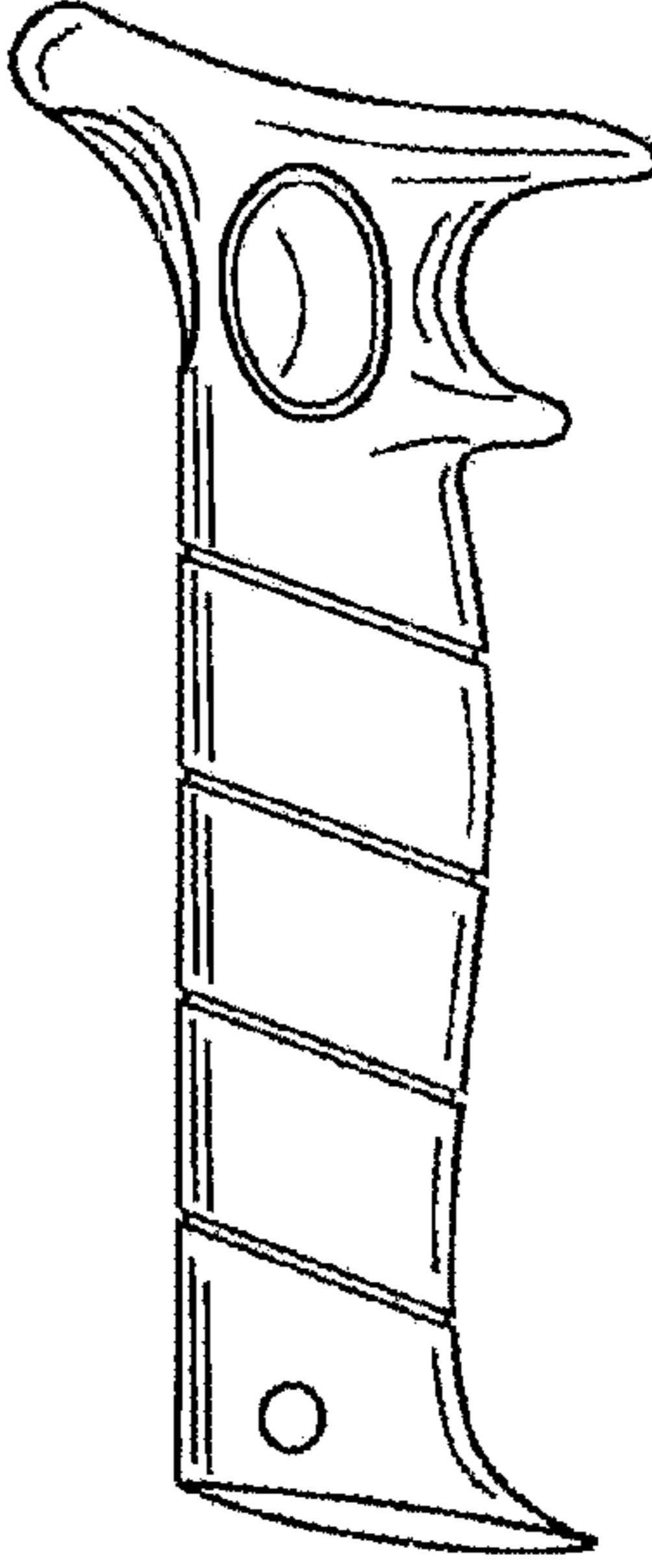


FIG. 4

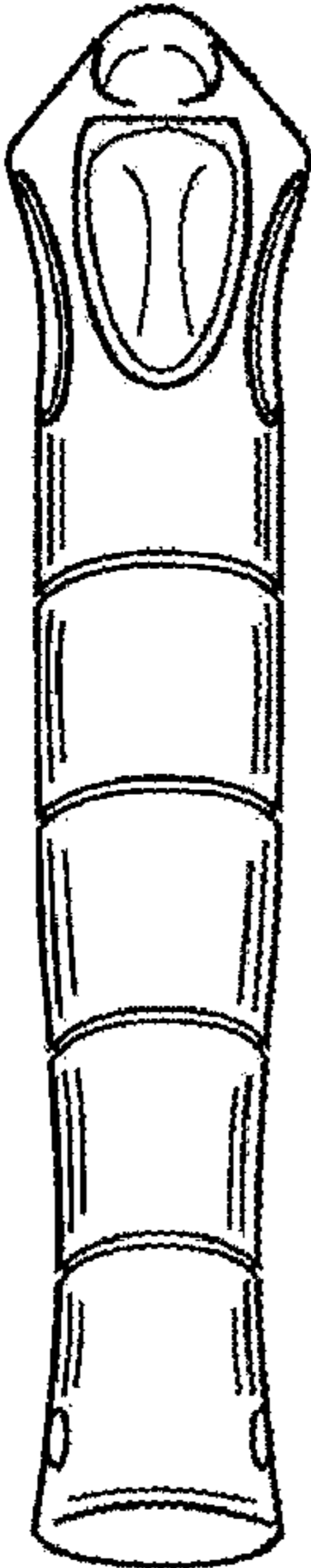


FIG. 5

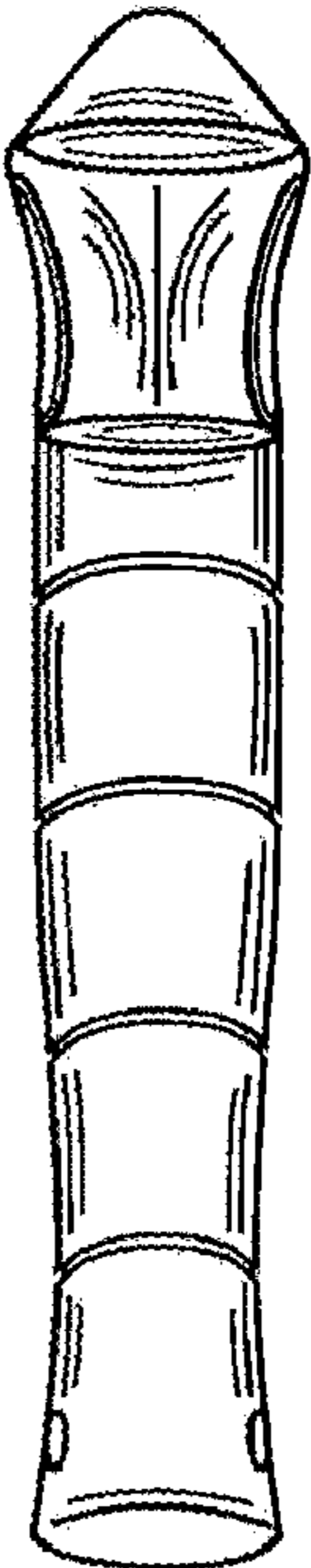


FIG. 6



FIG. 7

