



US00D658013S

(12) **United States Design Patent**  
**Beisel et al.**

(10) **Patent No.:** **US D658,013 S**  
(45) **Date of Patent:** **\*\* Apr. 24, 2012**

(54) **BOTTLE ACCESSORY**

(76) Inventors: **Kristin Michelle Beisel**, Walnut Creek, CA (US); **Gina Giaccone**, Lafayette, CA (US)

(\*\*) Term: **14 Years**

(21) Appl. No.: **29/385,085**

(22) Filed: **Feb. 8, 2011**

(51) **LOC (9) Cl.** ..... **07-01**

(52) **U.S. Cl.** ..... **D7/625**

(58) **Field of Classification Search** ..... D7/590,  
D7/601-602, 606-608, 619.1, 619.2, 622,  
D7/624.1, 624.2, 625, 628, 388, 396.1, 396.2;  
D9/455; D2/896-898, 900, 902, 906-908,  
D2/910-912; 220/694, 703, 732, 741-742,  
220/903

See application file for complete search history.

(56) **References Cited**

**U.S. PATENT DOCUMENTS**

D216,425 S *	1/1970	Foster	.....	D22/107
D262,766 S *	1/1982	Hayden, Jr.	.....	D7/625
D262,853 S *	2/1982	Hayden, Jr.	.....	D7/625
D262,854 S *	2/1982	Hayden, Jr.	.....	D7/625
D371,280 S *	7/1996	Moreno	.....	D7/624.3
D371,725 S *	7/1996	Moreno	.....	D7/624.3
D433,880 S *	11/2000	Herrera	.....	D7/625
D611,773 S *	3/2010	Burton et al.	.....	D7/624.2
D624,367 S *	9/2010	Burton et al.	.....	D7/624.2

**OTHER PUBLICATIONS**

Part Frosting! formerly Frost Me! , wine bottle corset , web page, Oct. 19, 2011, published online at <http://frostmeblog.blogspot.com/2010/06/lingerie-theme-bachelorette-or-bridal.html>.

\* cited by examiner

*Primary Examiner* — Ian Simmons

*Assistant Examiner* — Dana L Sipos

(74) *Attorney, Agent, or Firm* — Mohr Intellectual Property Law Solutions, PC

(57) **CLAIM**

The ornamental design for a bottle accessory, as shown and described.

**DESCRIPTION**

FIG. 1 is a top perspective view of a bottle accessory showing our design.

FIG. 2 is a front elevation view thereof.

FIG. 3 is a rear elevation view thereof.

FIG. 4 is a right side elevation view thereof.

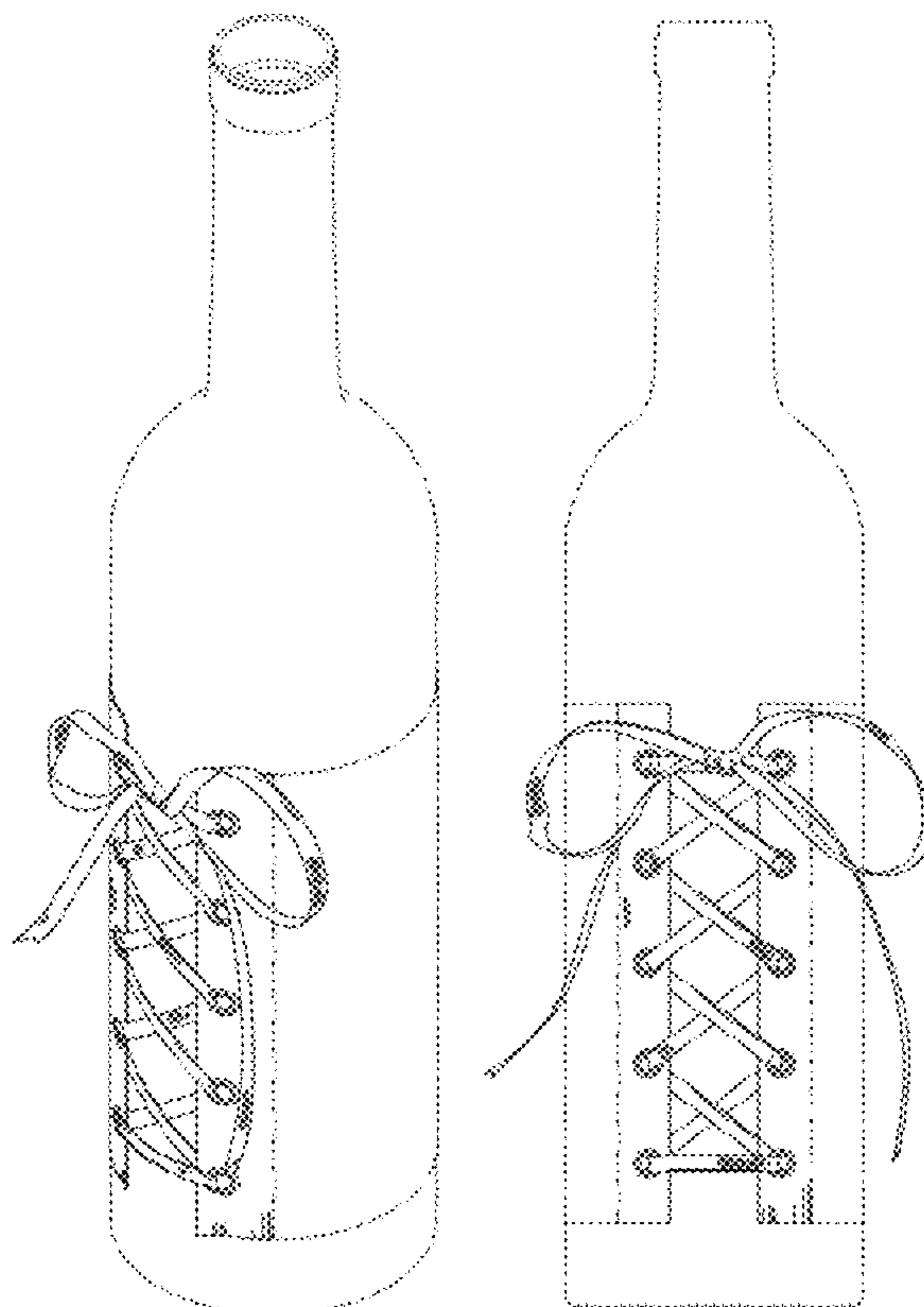
FIG. 5 is a left side elevation view thereof.

FIG. 6 is a top plan view thereof; and,

FIG. 7 is a bottom plan view thereof.

The claimed ornamental design is shown in solid lines. The evenly dashed broken lines in the drawings illustrate the portions of the design that form no part of the claim. The dot-dot-dash broken lines in the drawings define the bounds of the claim and form no part thereof.

**1 Claim, 6 Drawing Sheets**



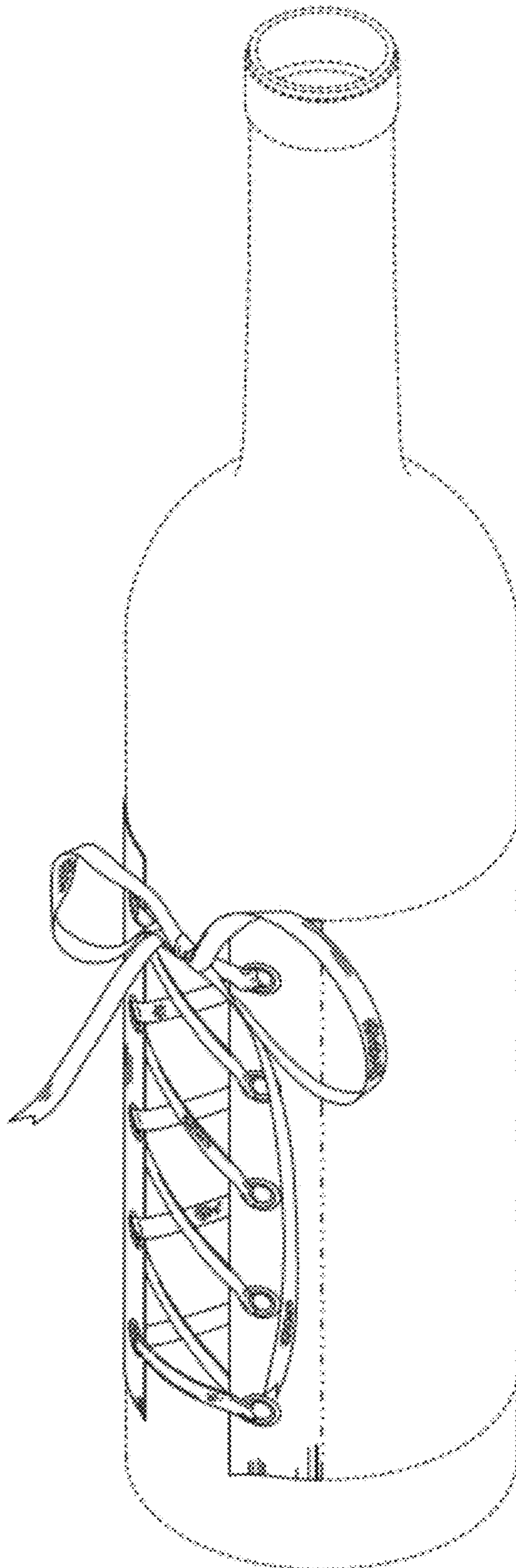


FIG.1

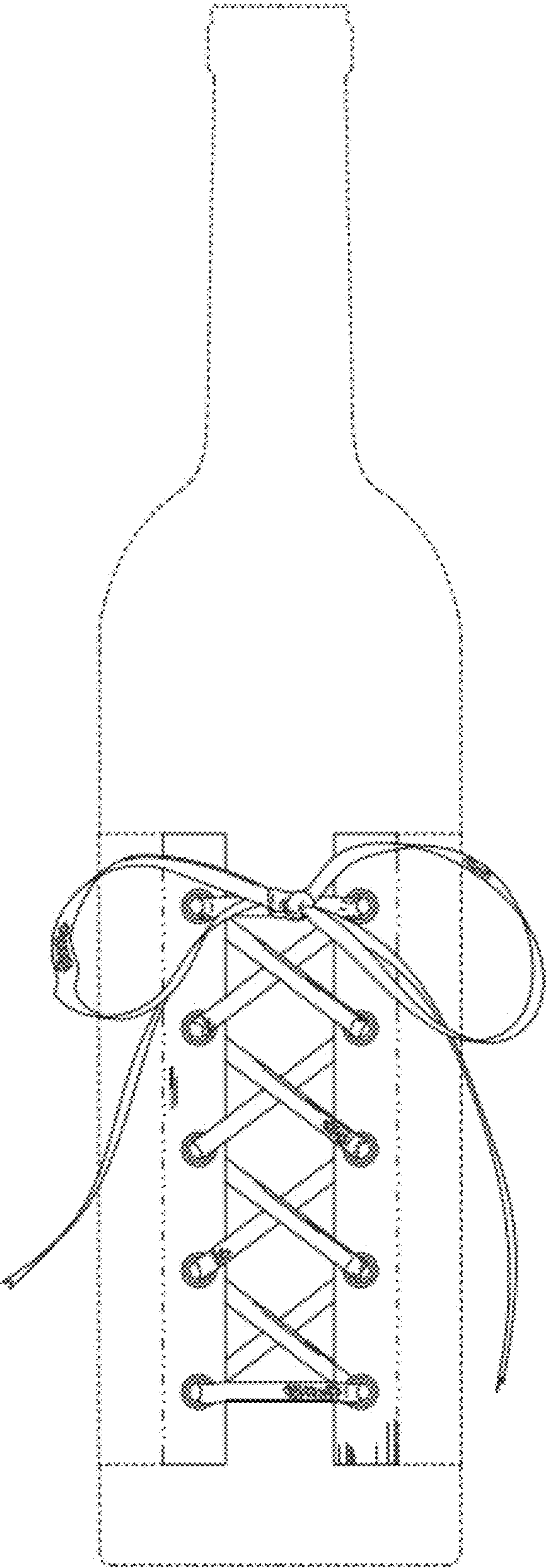


FIG.2

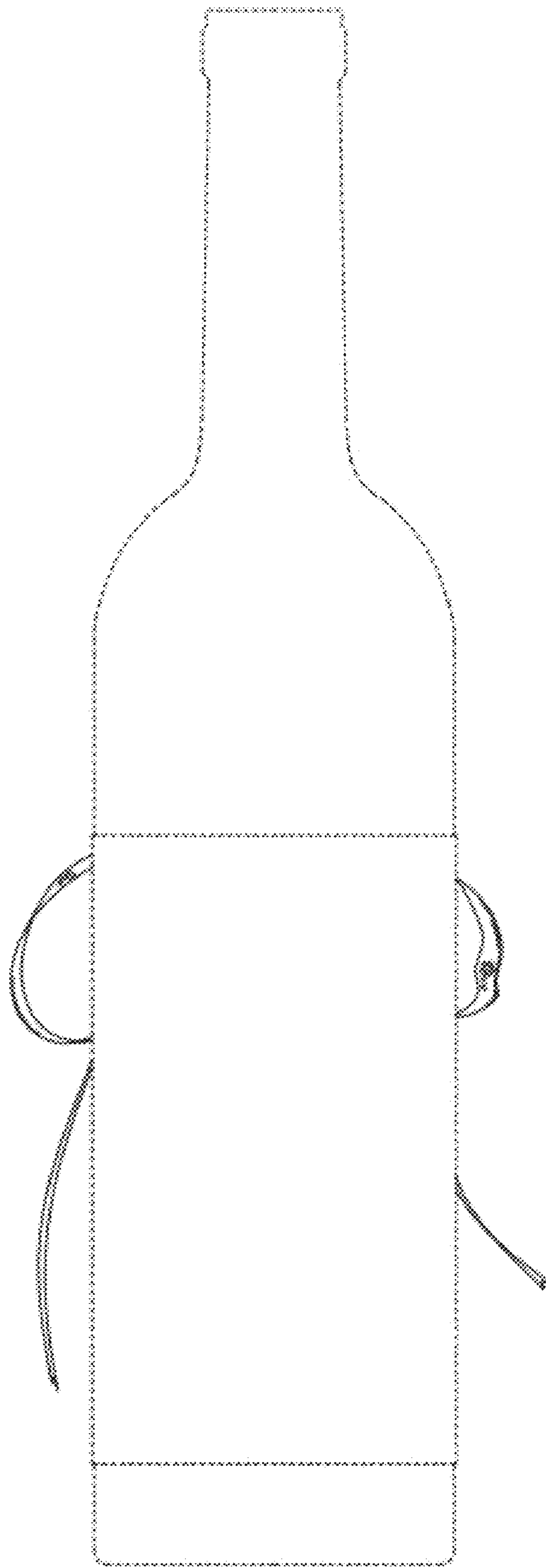


FIG. 3

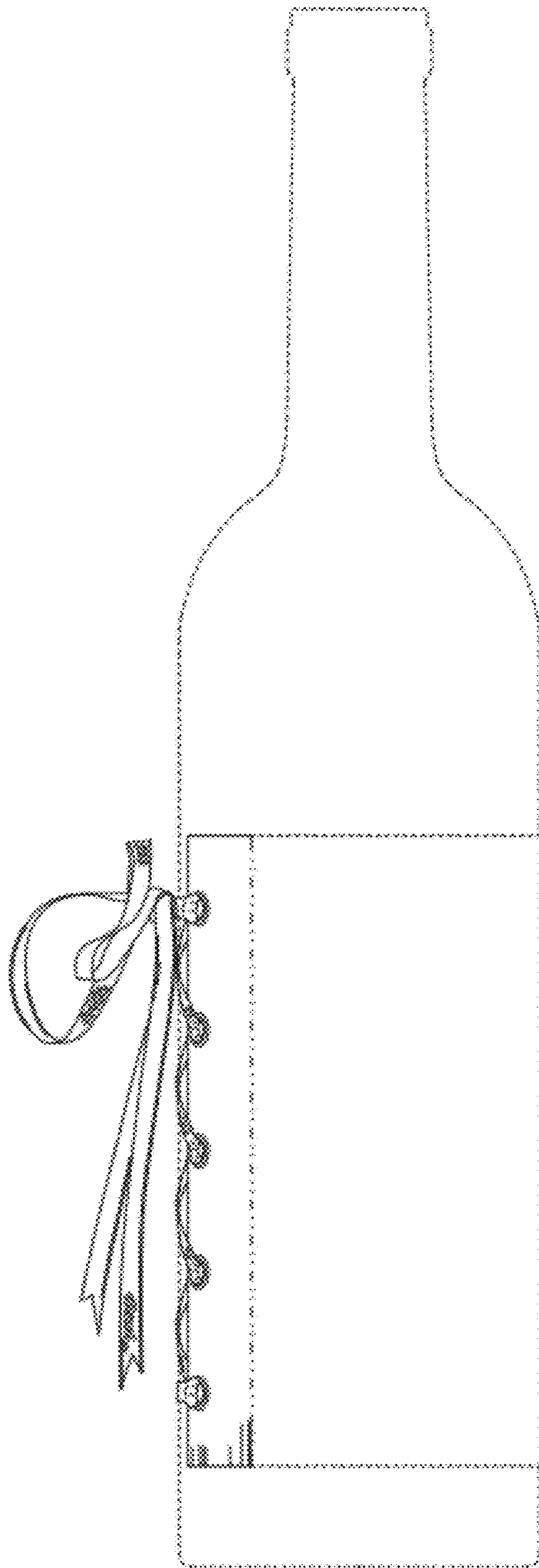


FIG.4



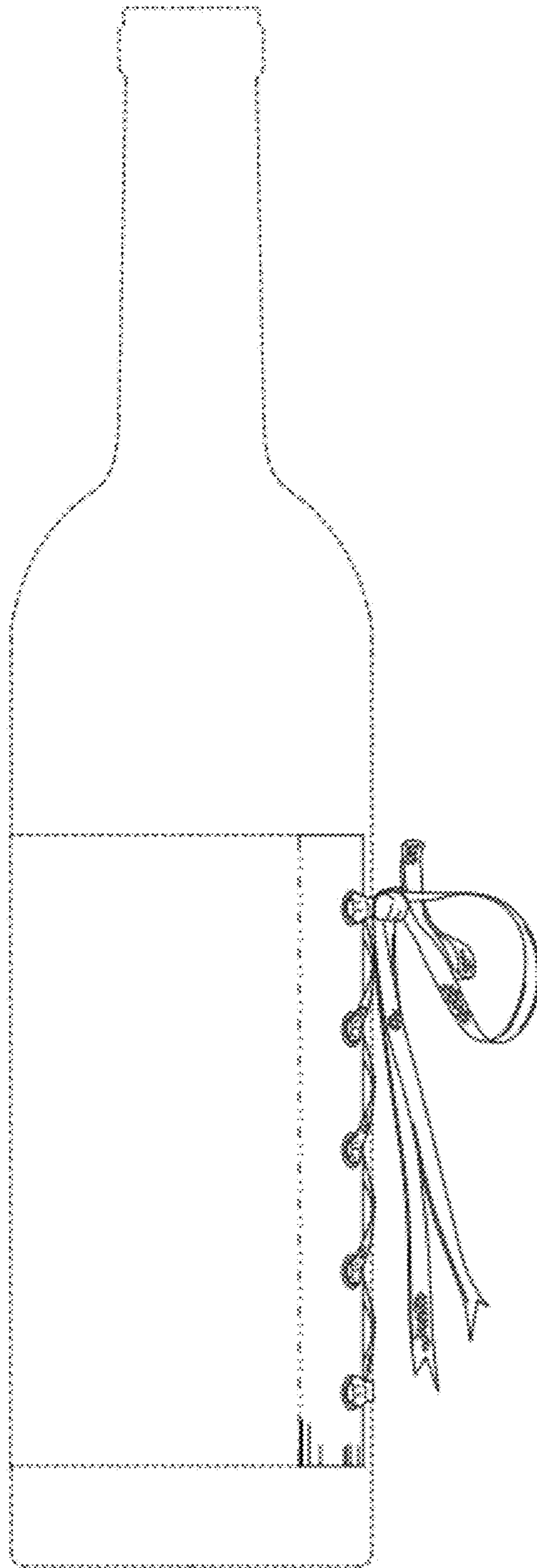


FIG.5

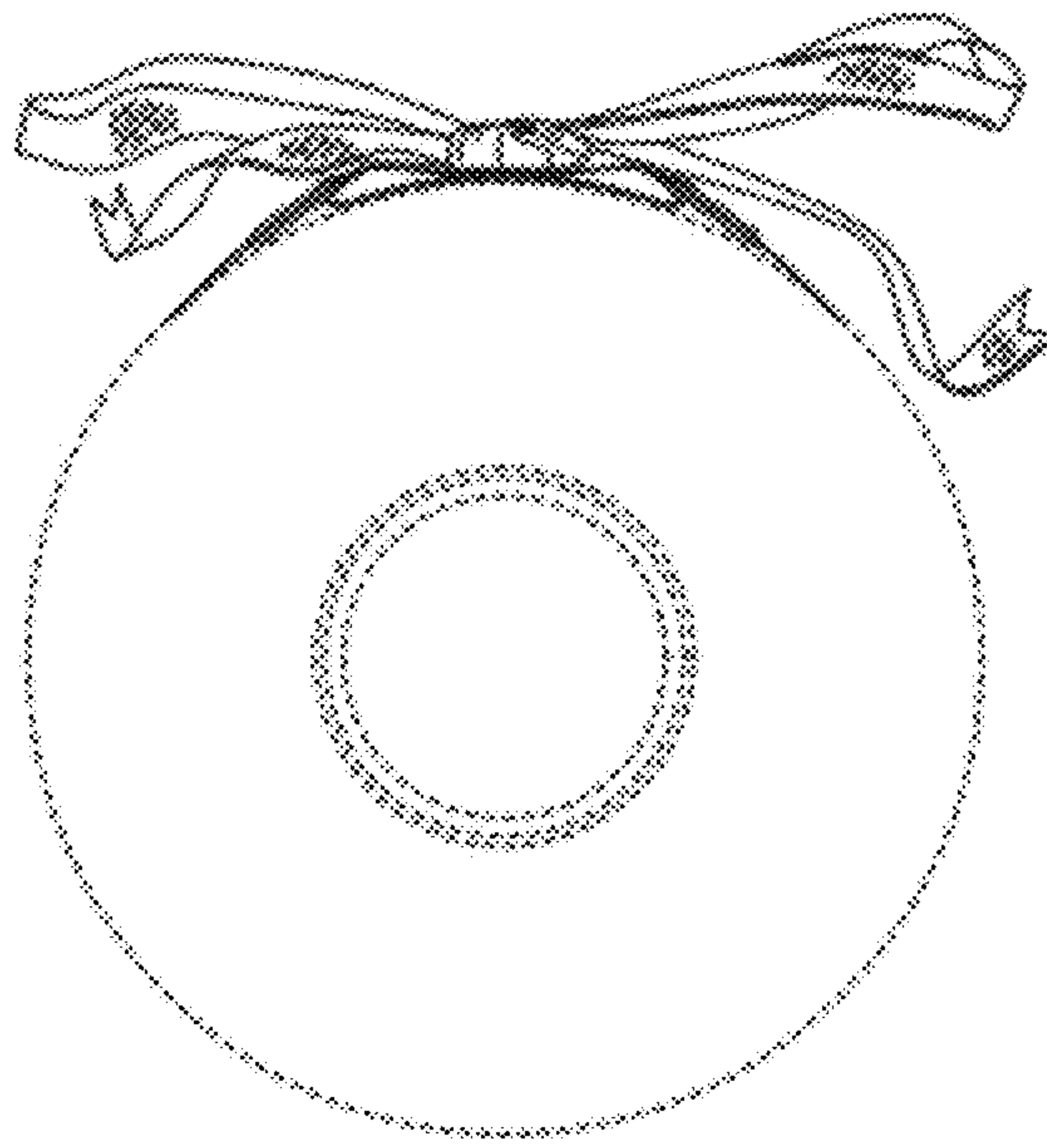


FIG. 6

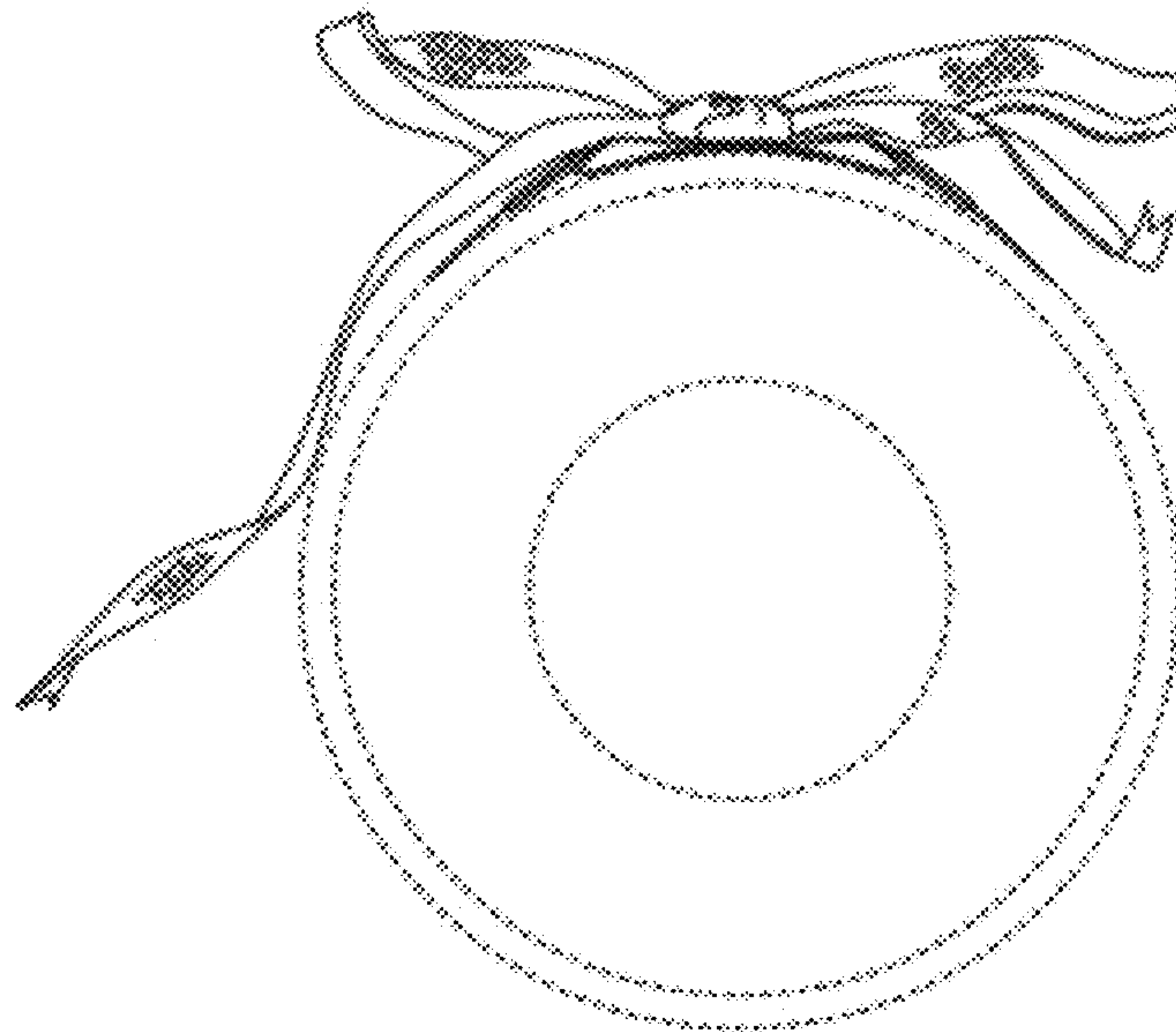


FIG. 7