



US00D658012S

(12) **United States Design Patent**  
**Dagan et al.**

(10) **Patent No.:** **US D658,012 S**

(45) **Date of Patent:** **\*\* Apr. 24, 2012**

(54) **CUPCAKE CARRIER**

(75) Inventors: **Roni Dagan**, Netanya (IL); **Noa Moyal**,  
Netanya (IL); **Michael Librus**, Netanya  
(IL)

(73) Assignee: **RL Industry Company Ltd.**, Ningbo  
(CN)

(\*\*) Term: **14 Years**

(21) Appl. No.: **29/400,129**

(22) Filed: **Aug. 24, 2011**

(51) **LOC (9) Cl.** ..... **07-07**

(52) **U.S. Cl.** ..... **D7/610**

(58) **Field of Classification Search** ..... D7/610,  
D7/629; 206/551, 557-567, 519, 493, 508,  
206/509, 675, 499; 229/117.14, 117.13,  
229/117.09, 117.02, 116.1, 906; 426/124,  
426/128; 220/573.1-573.4, 4.27, 675, 574-575,  
220/529, 660

See application file for complete search history.

(56) **References Cited**

U.S. PATENT DOCUMENTS

4,197,940 A \* 4/1980 DeRossett ..... 220/780  
5,676,252 A \* 10/1997 Lillelund et al. .... 206/551  
D405,651 S \* 2/1999 Schmidt ..... D7/610  
D609,979 S \* 2/2010 Soibel et al. .... D7/629

\* cited by examiner

*Primary Examiner* — Terry Wallace

(74) *Attorney, Agent, or Firm* — Mark M. Friedman

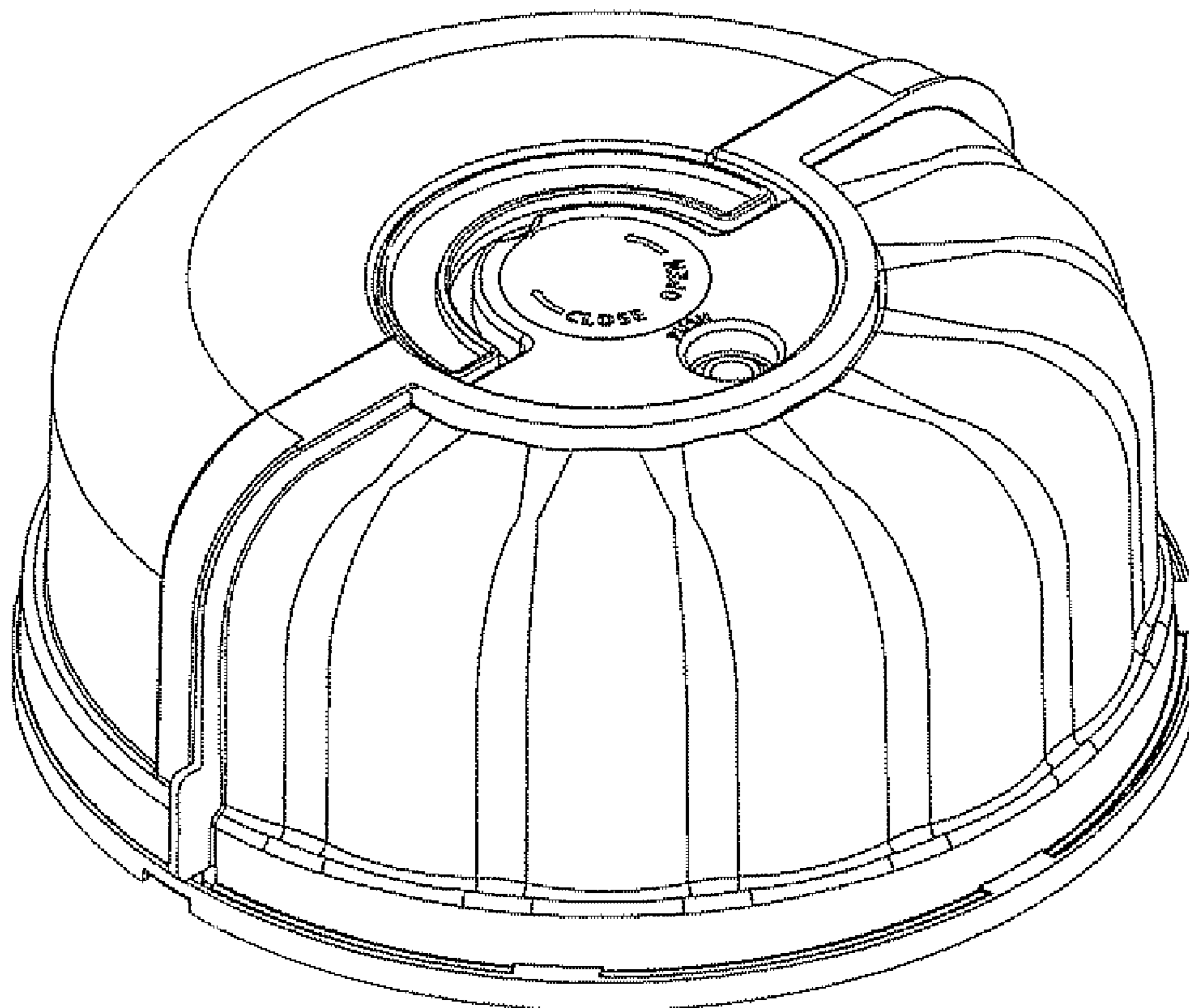
(57) **CLAIM**

The ornamental design for the cupcake carrier, as shown and described.

**DESCRIPTION**

FIG. 1 is a top view of a cupcake carrier showing my design in close position;  
FIG. 2 is a side view thereof;  
FIG. 3 is a bottom view thereof;  
FIG. 4 is an isometric view thereof;  
FIG. 5 is an isometric view thereof;  
FIG. 6 is a top view of a cupcake carrier showing my design in open position;  
FIG. 7 is a side view thereof;  
FIG. 8 is a bottom view thereof;  
FIG. 9 is an isometric view thereof; and,  
FIG. 10 is an isometric view thereof.

**1 Claim, 10 Drawing Sheets**



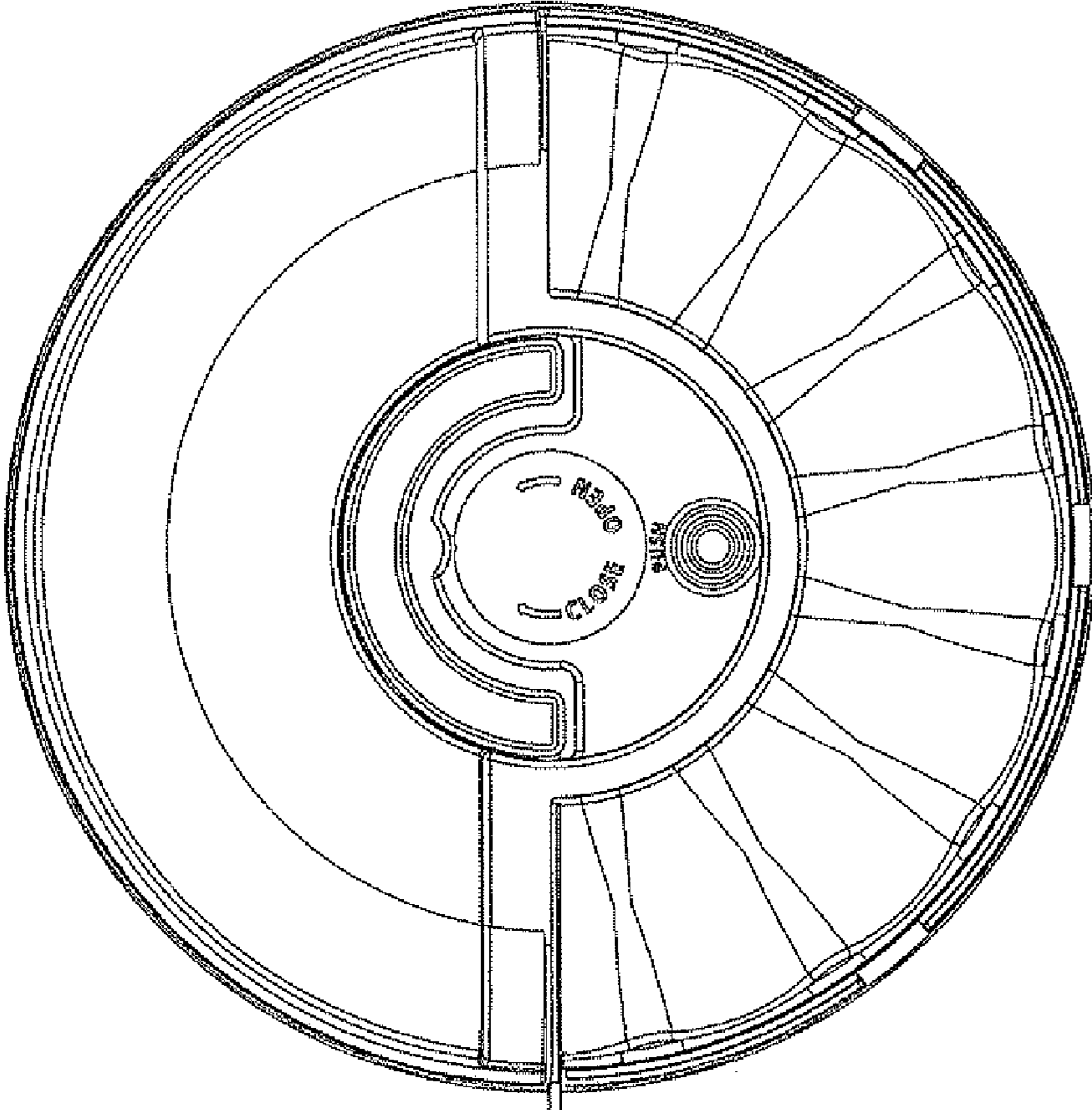


FIG 01

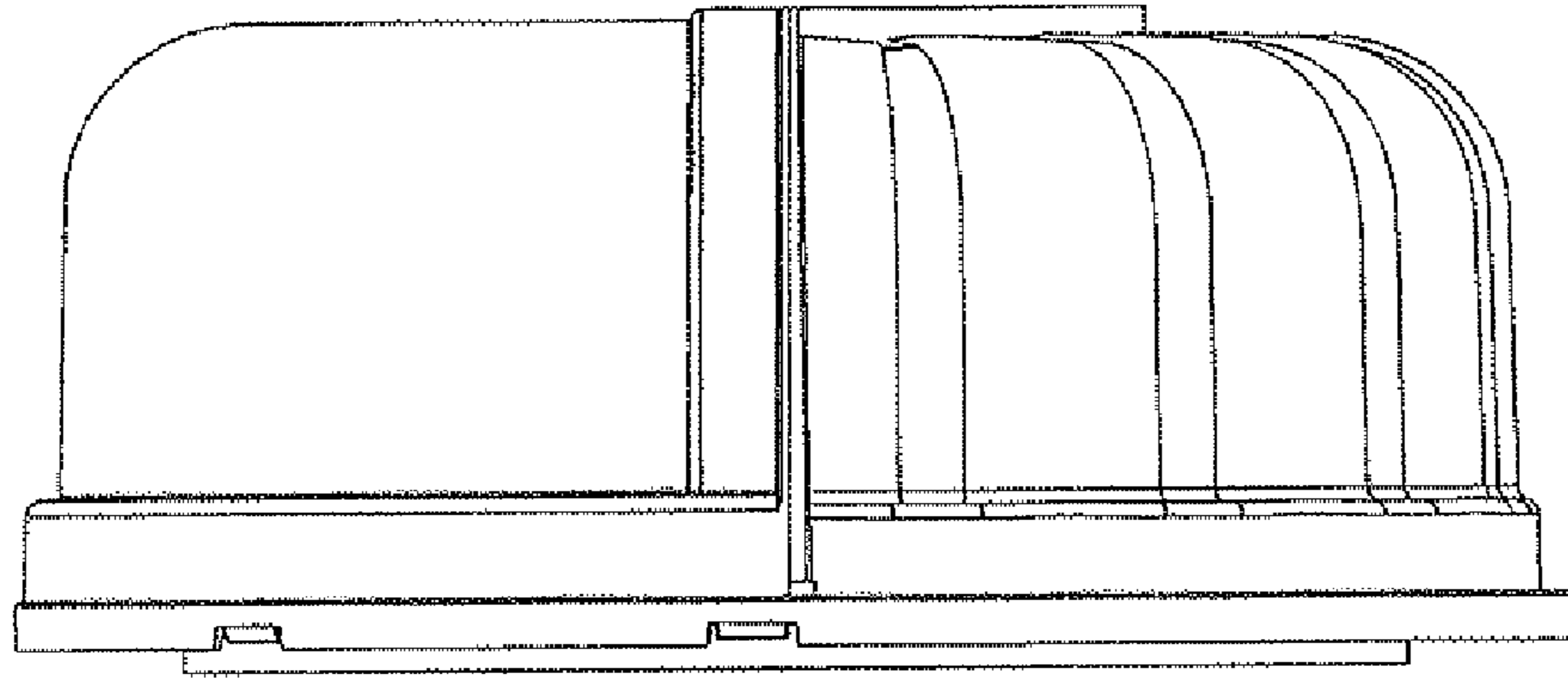


FIG 02

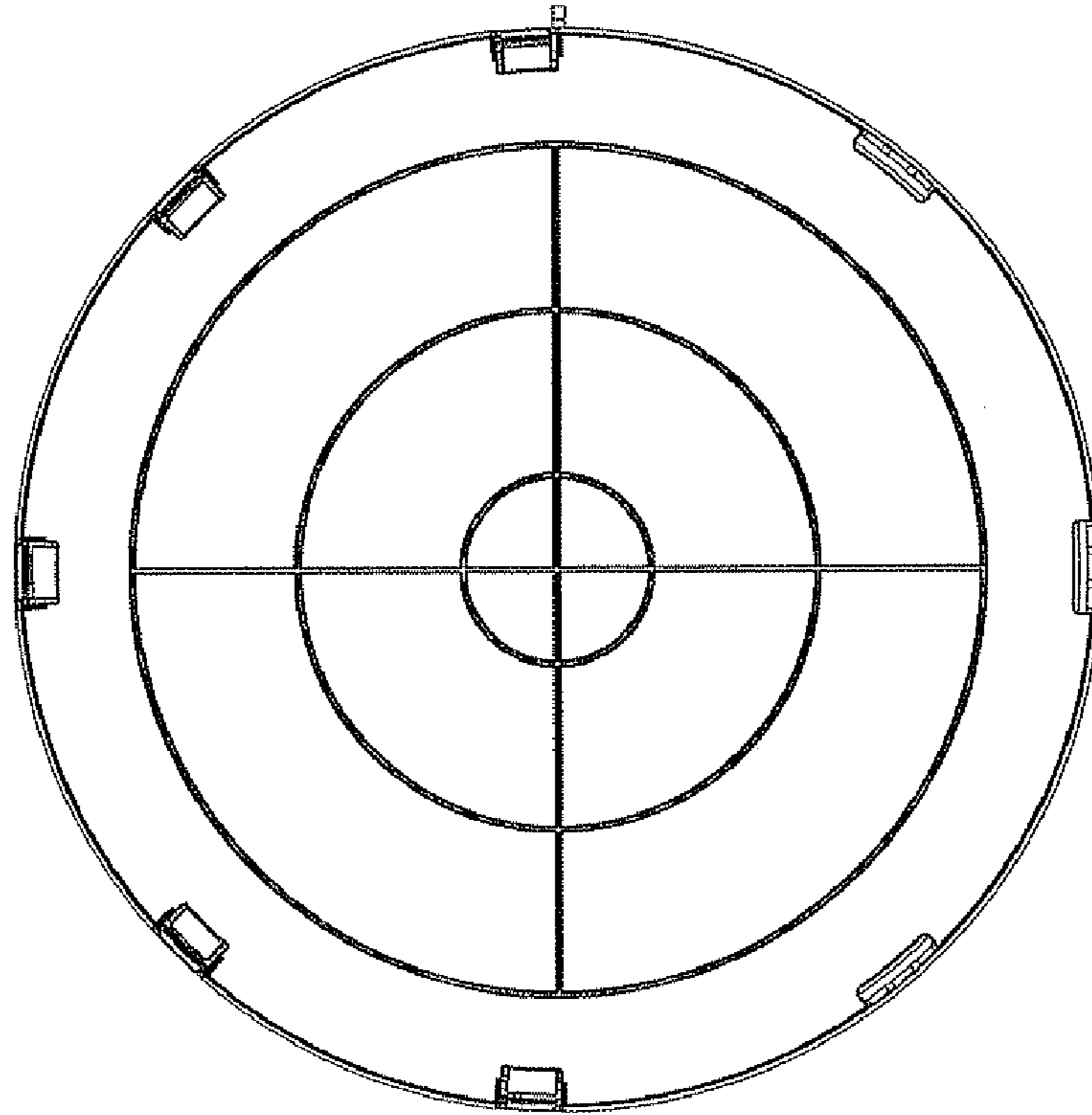


FIG 03

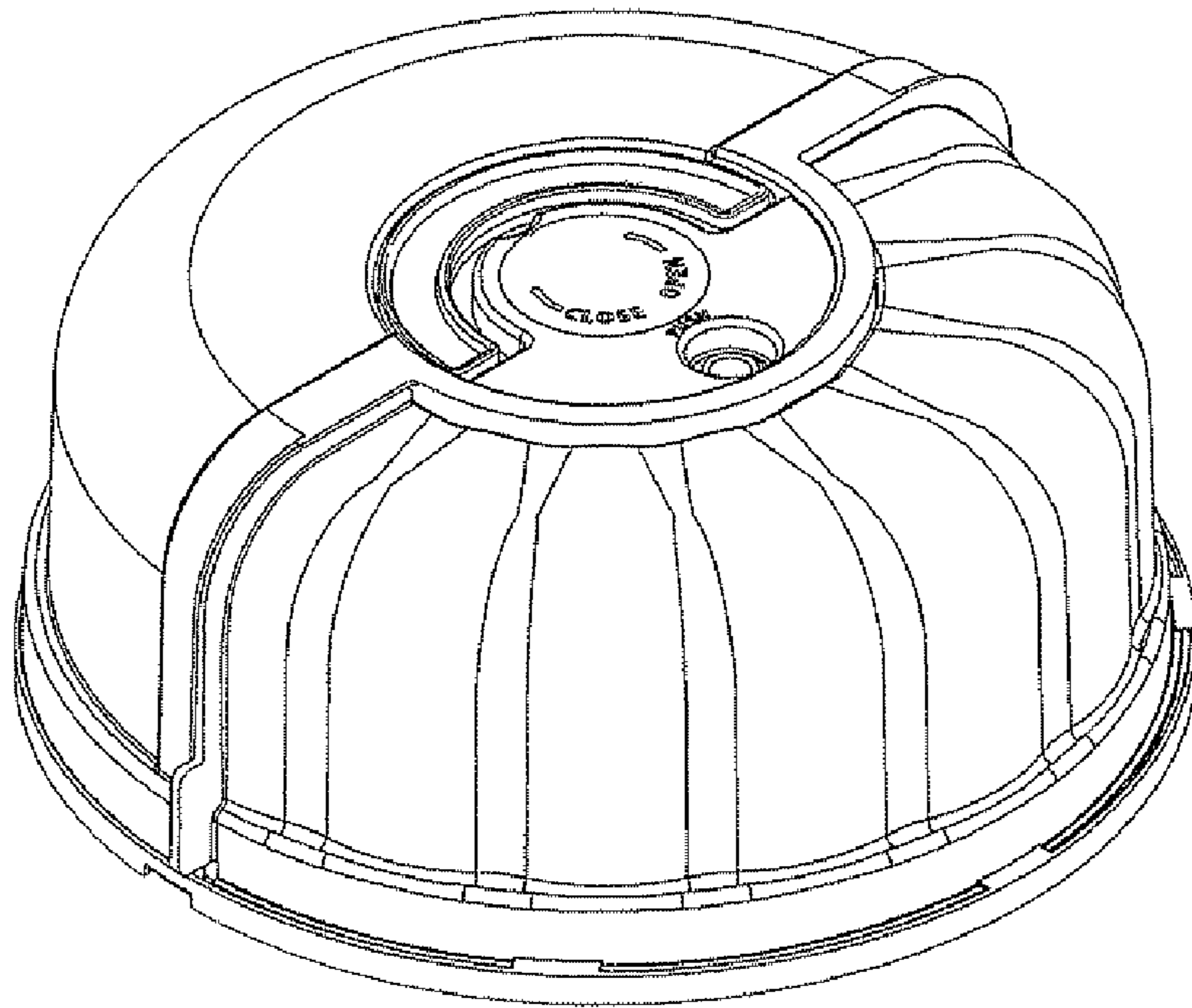


FIG 04

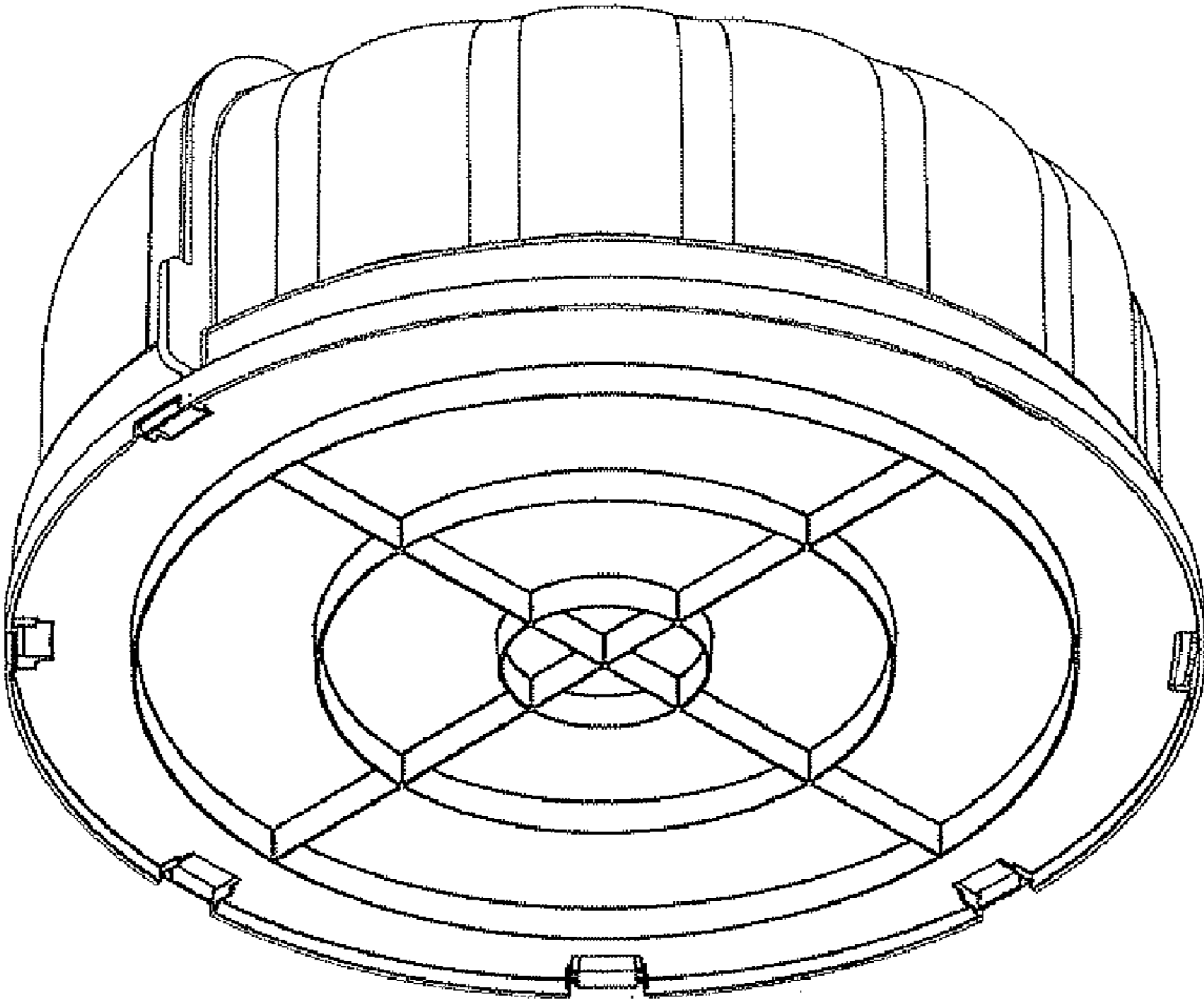


FIG 05

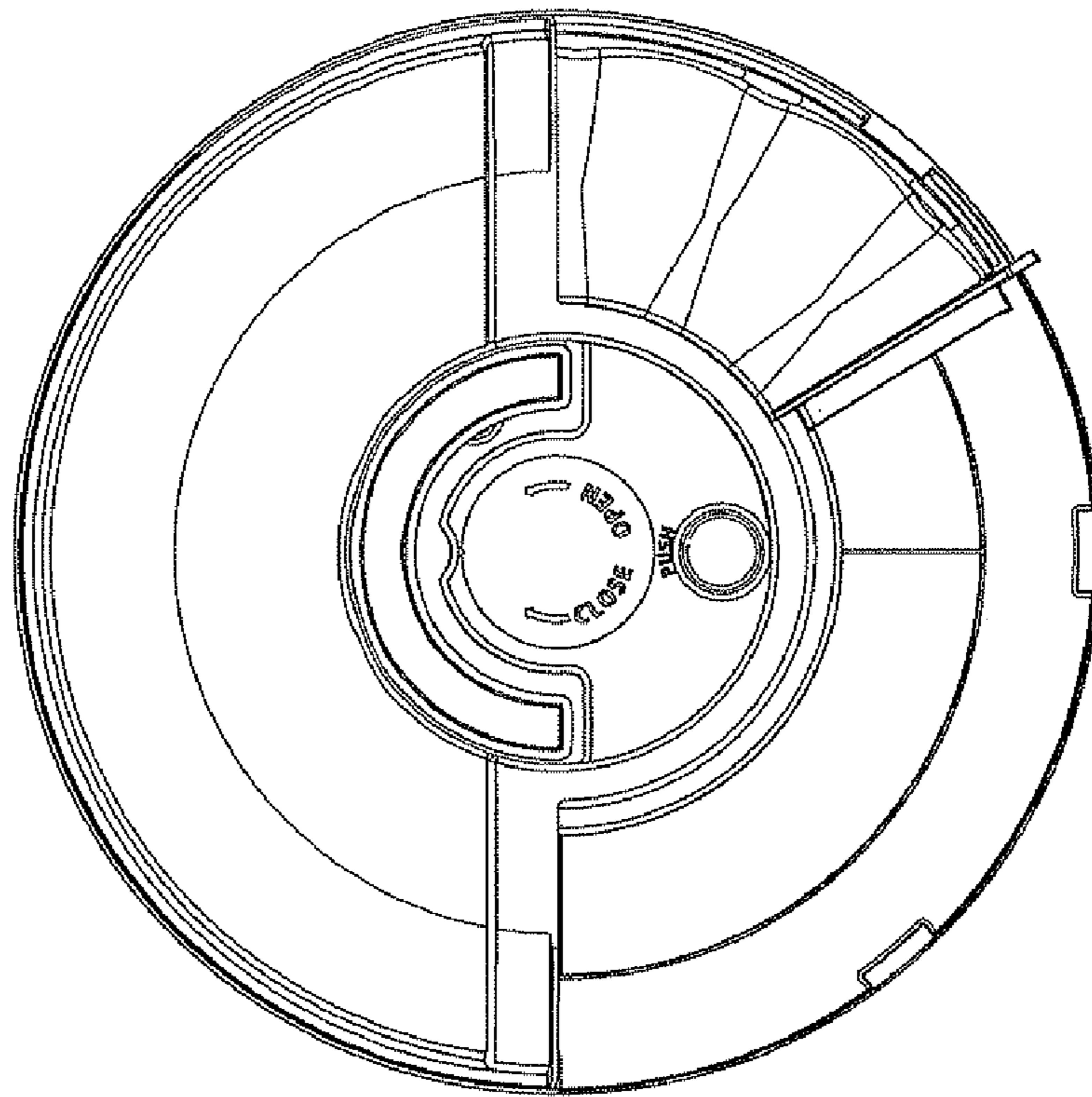


FIG 06

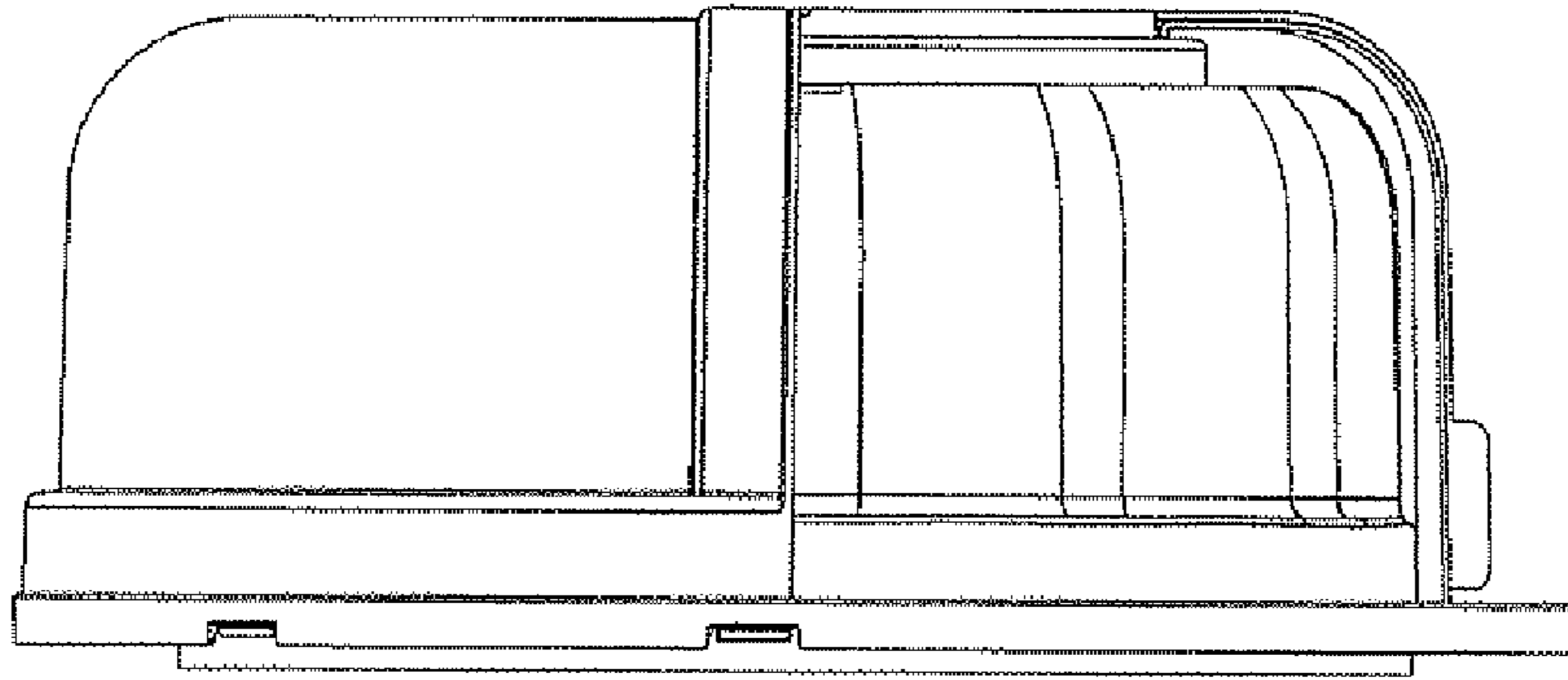


FIG 07



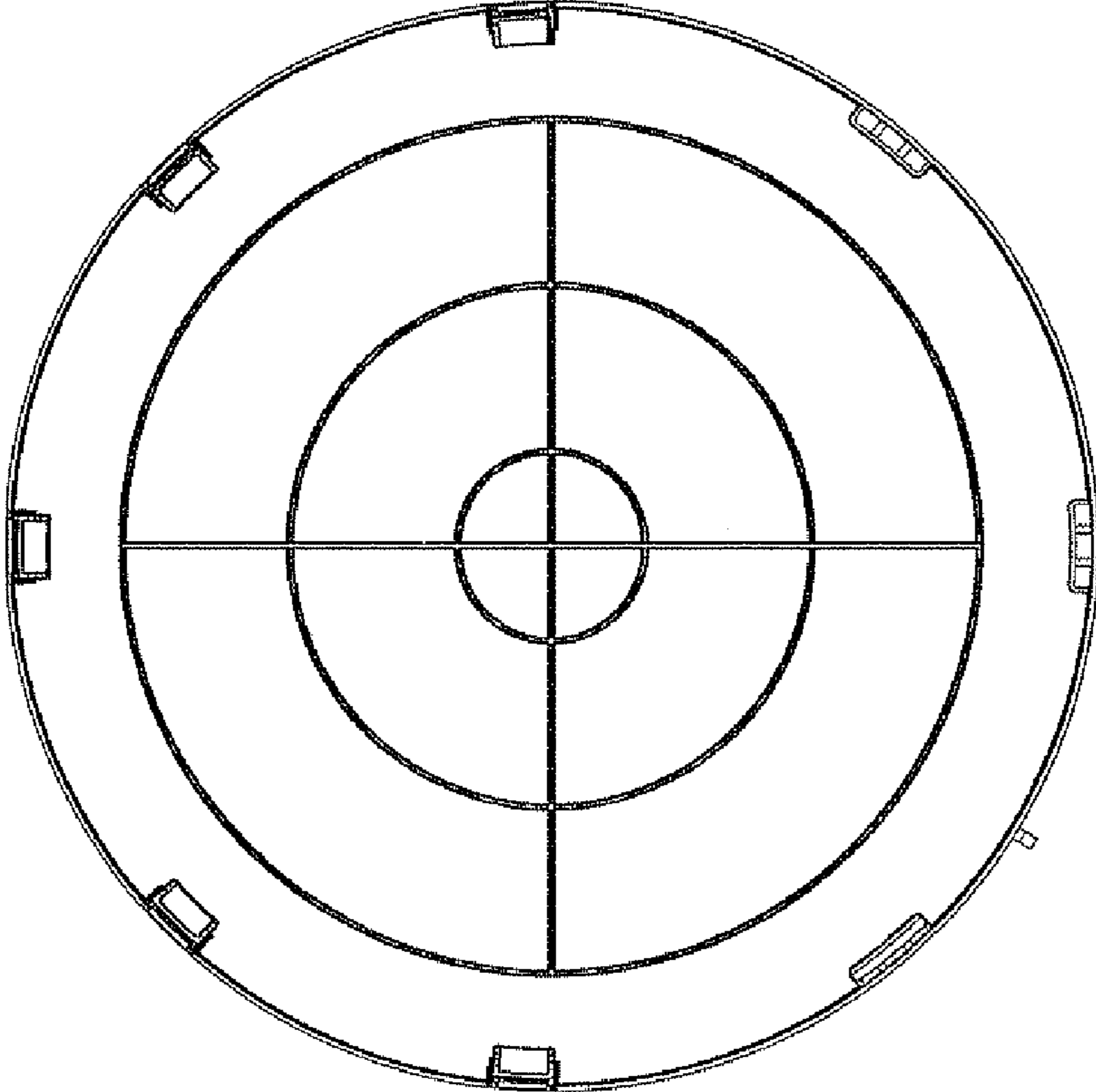


FIG 08

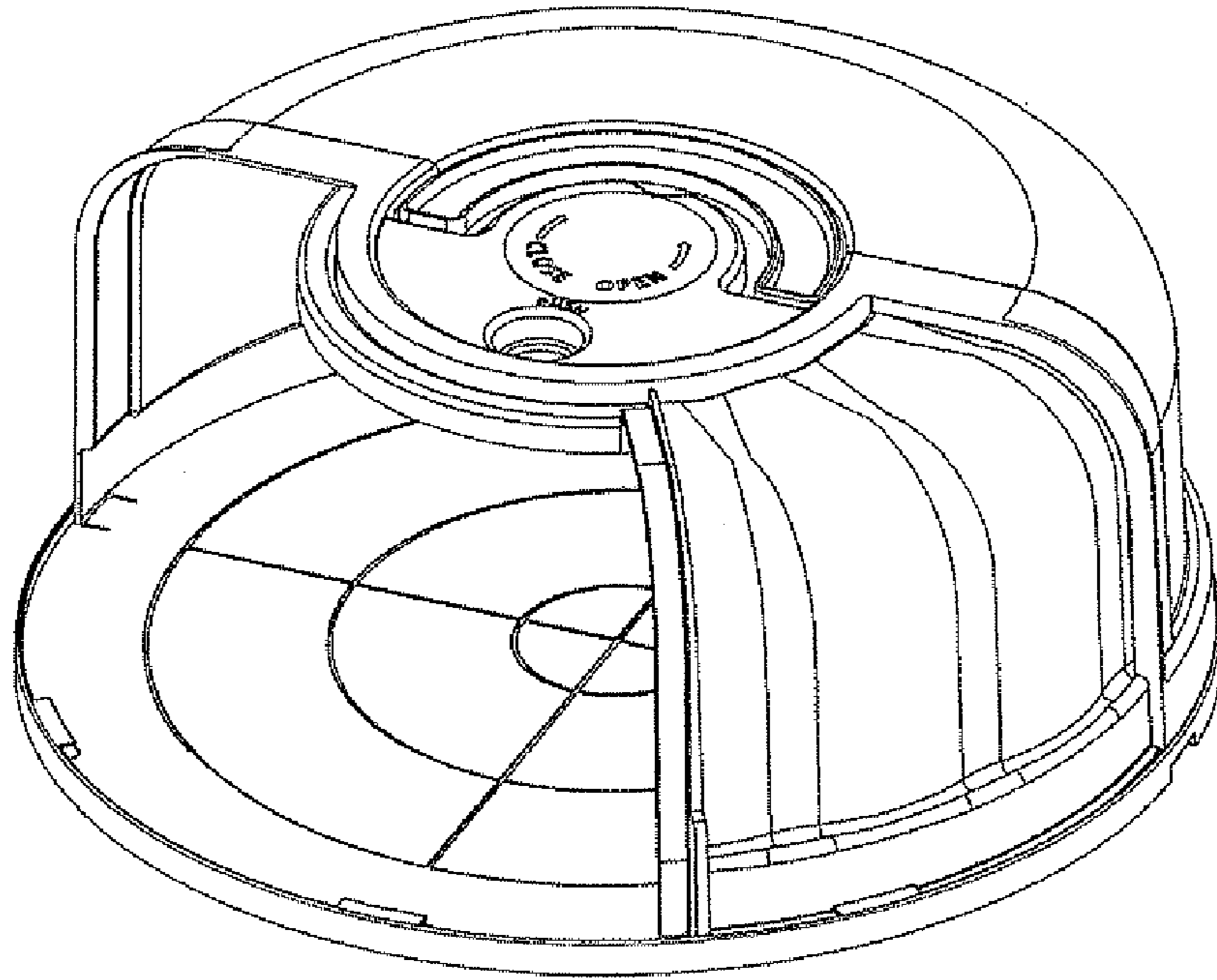


FIG 09

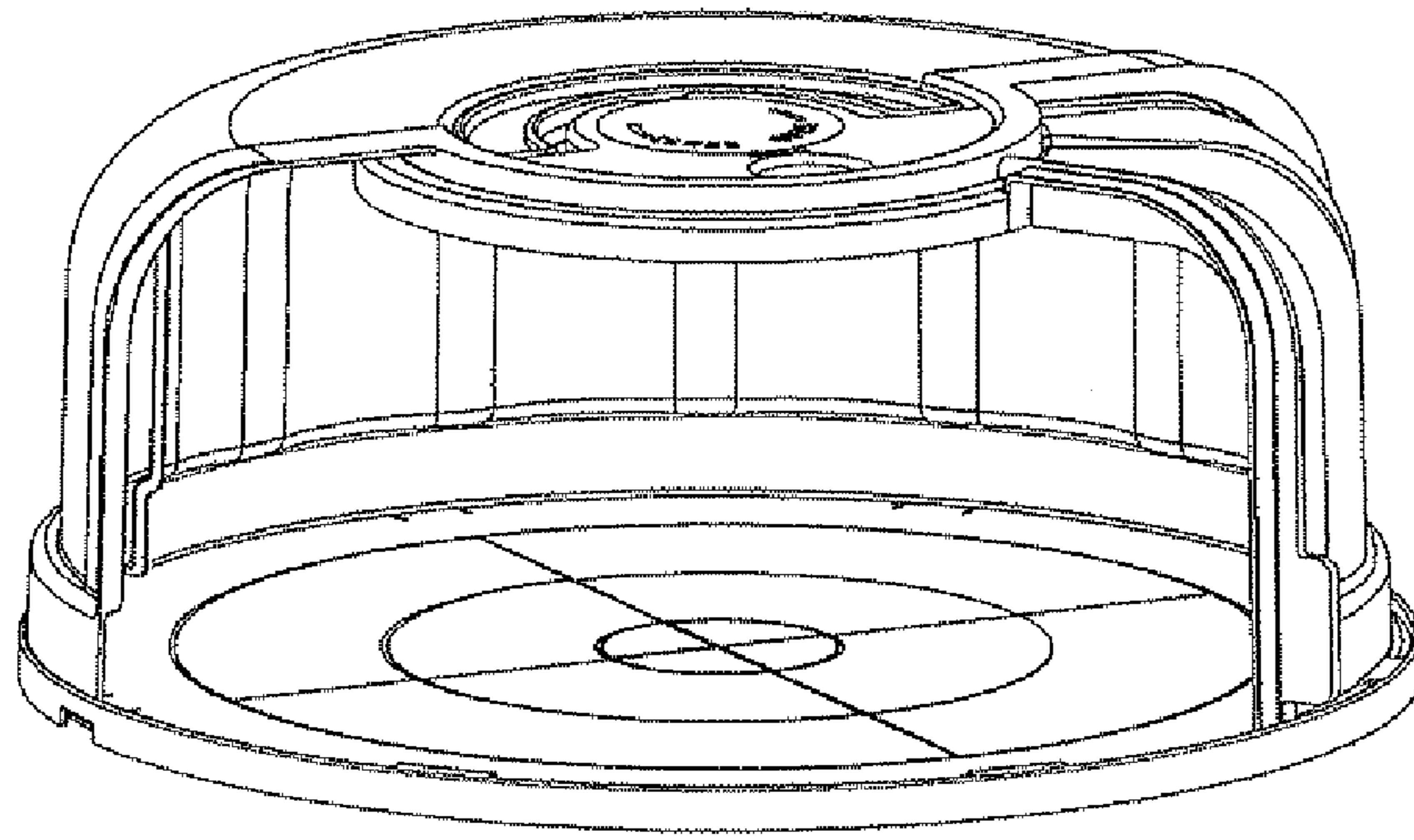


FIG 10