



US00D658011S

(12) **United States Design Patent**
Goode et al.

(10) **Patent No.:** **US D658,011 S**
(45) **Date of Patent:** **** Apr. 24, 2012**

(54) **ADJUSTABLE PLATE CAKE STAND**

(75) Inventors: **Stephanie Goode**, Woodbridge, IL (US);
Thomas Noone, Woodbridge, IL (US)

(73) Assignee: **Wilton Industries, Inc.**, Woodridge, IL
(US)

(**) Term: **14 Years**

(21) Appl. No.: **29/366,190**

(22) Filed: **Jul. 21, 2010**

(51) **LOC (9) Cl.** **07-07**

(52) **U.S. Cl.** **D7/610**

(58) **Field of Classification Search** D7/500,
D7/501, 550.1, 554.2, 554.4, 558, 586, 601,
D7/602, 610, 387, 388; 211/41.1, 41.2, 41.7,
211/175; 248/127, 128, 130, 146, 172; 220/574,
220/62.11, 62.13

See application file for complete search history.

D318,399	S	*	7/1991	DeAre	D7/610
D328,408	S	*	8/1992	De Are	D7/610
5,165,637	A	*	11/1992	Polley et al.	248/188.4
D357,160	S	*	4/1995	Fritze	D6/474
D362,787	S	*	10/1995	Burke	D7/552.2
D373,708	S	*	9/1996	Hamilton et al.	D7/552.2
5,617,798	A	*	4/1997	Lytell	108/147.19
D380,350	S	*	7/1997	Tortorella et al.	D7/558
5,894,944	A		4/1999	Swift		
D413,046	S	*	8/1999	Fritze	D7/610
6,131,523	A		10/2000	Crowley		
6,367,759	B1	*	4/2002	Simon	248/425
6,374,755	B1		4/2002	Haase et al.		
6,386,498	B1	*	5/2002	Deco	248/346.01
D461,026	S	*	7/2002	Mason	D30/160
6,520,352	B2		2/2003	Mondragon et al.		
D473,756	S	*	4/2003	Cautereels	D7/552.2
6,688,239	B1		2/2004	Pettini et al.		
D490,657	S	*	6/2004	McDonald	D7/610
7,287,870	B1	*	10/2007	Knoch	362/97.1
D558,526	S	*	1/2008	Molina et al.	D7/552.2
D577,962	S	*	10/2008	Bauer et al.	D7/558
D614,002	S	*	4/2010	Heap	D7/610
2002/0074304	A1		6/2002	Hardy		

* cited by examiner

(56) **References Cited**

U.S. PATENT DOCUMENTS

197,931	A	*	12/1877	Haight	108/94
1,155,638	A		10/1915	Bowen		
1,570,651	A	*	1/1926	Topping et al.	108/94
1,831,885	A	*	11/1931	Rogers	132/314
D160,688	S		10/1950	Brock		
2,902,174	A	*	9/1959	Audsley	108/101
2,921,691	A		1/1960	Dembinski		
3,115,253	A	*	12/1963	Malbin et al.	211/128.1
D200,117	S	*	1/1965	Kolarik	D7/590
3,169,496	A	*	2/1965	Muggli et al.	108/94
3,477,680	A	*	11/1969	Fliger Jr.	248/346.03
3,814,032	A	*	6/1974	McMains	108/101
3,912,249	A	*	10/1975	Vaca	269/54.5
3,951,079	A	*	4/1976	Tolleson	108/94
4,069,772	A		1/1978	Haapala		
D247,557	S	*	3/1978	Hemmy	D11/184
4,311,237	A		1/1982	Hayes		
4,539,914	A	*	9/1985	Lebecque	108/94
D288,878	S	*	3/1987	Munson	D6/455
4,847,461	A	*	7/1989	Gilmore	219/732

Primary Examiner — Elizabeth J Oswecki

(74) *Attorney, Agent, or Firm* — Foley & Lardner LLP

(57) **CLAIM**

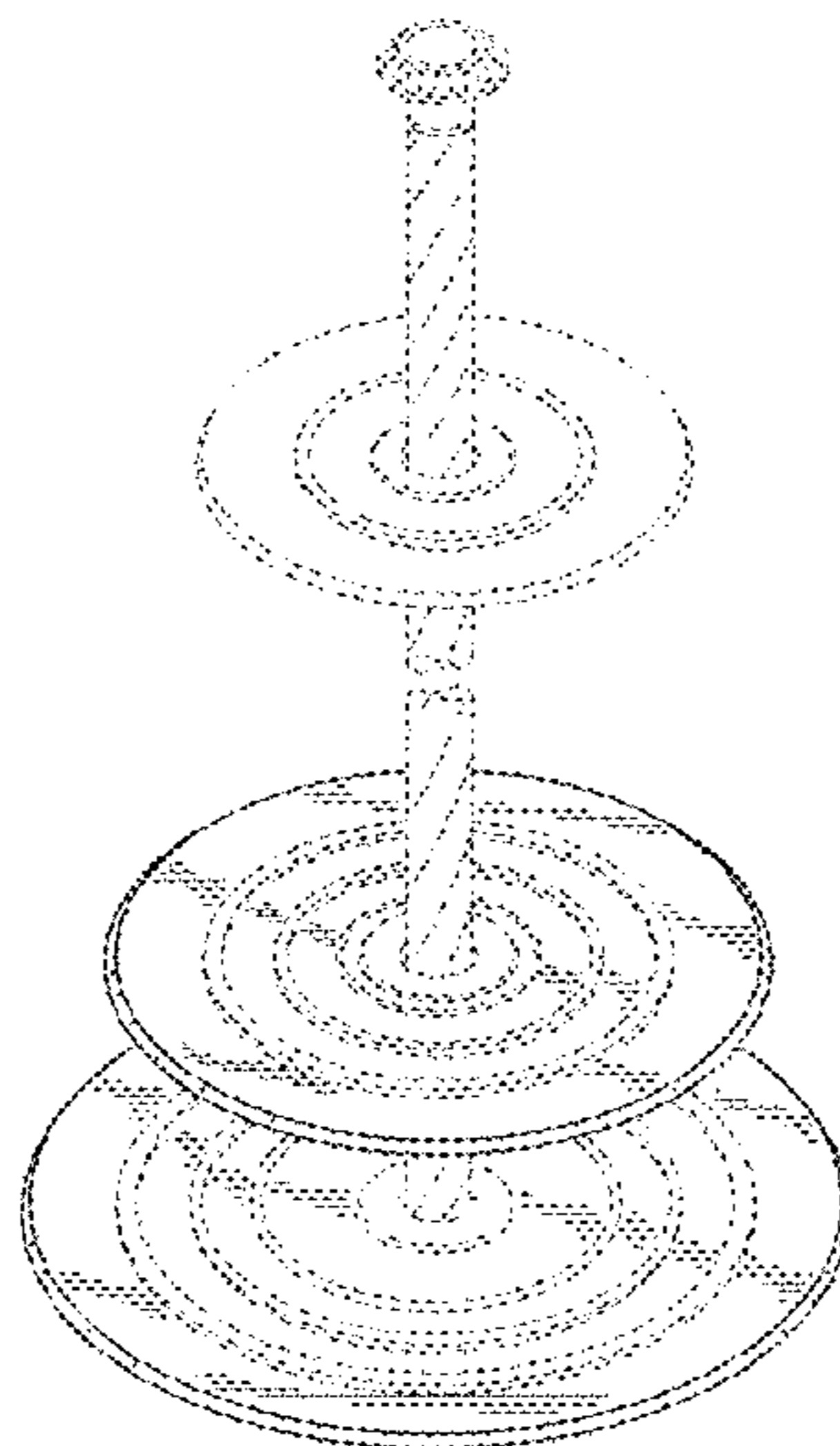
The ornamental design for an adjustable plate cake stand, as shown and described.

DESCRIPTION

FIG. 1 is a front perspective view of an adjustable plate cake stand showing our new design; FIG. 2 is a top view thereof; FIG. 3 is a bottom view thereof; FIG. 4 is a side view thereof; and, FIG. 5 is a front view thereof.

The subject matter shown in dashed lines, and any surfaces of the design not shown, including interior surfaces, form no part of the claimed invention.

1 Claim, 3 Drawing Sheets



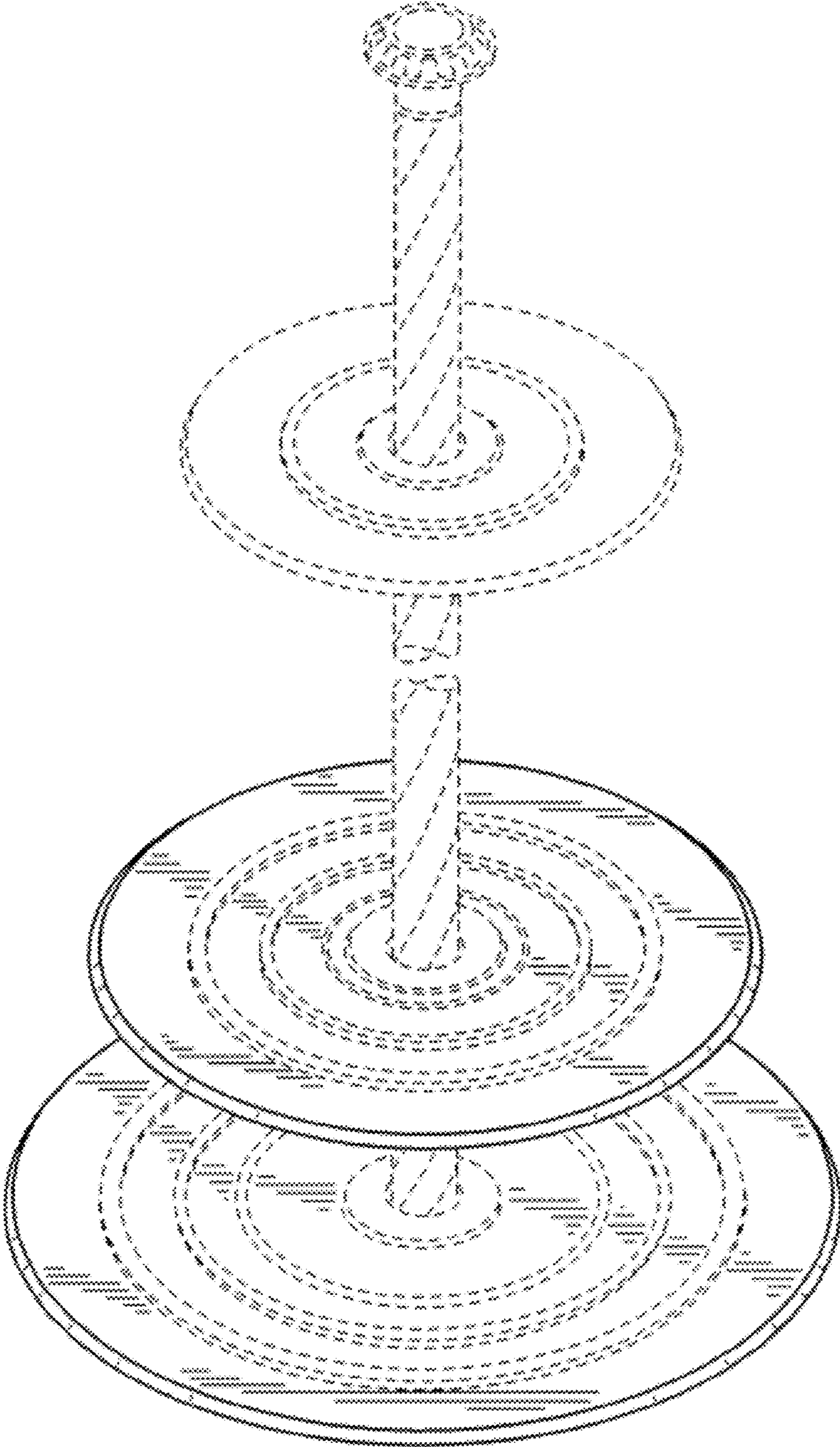


FIG. 1

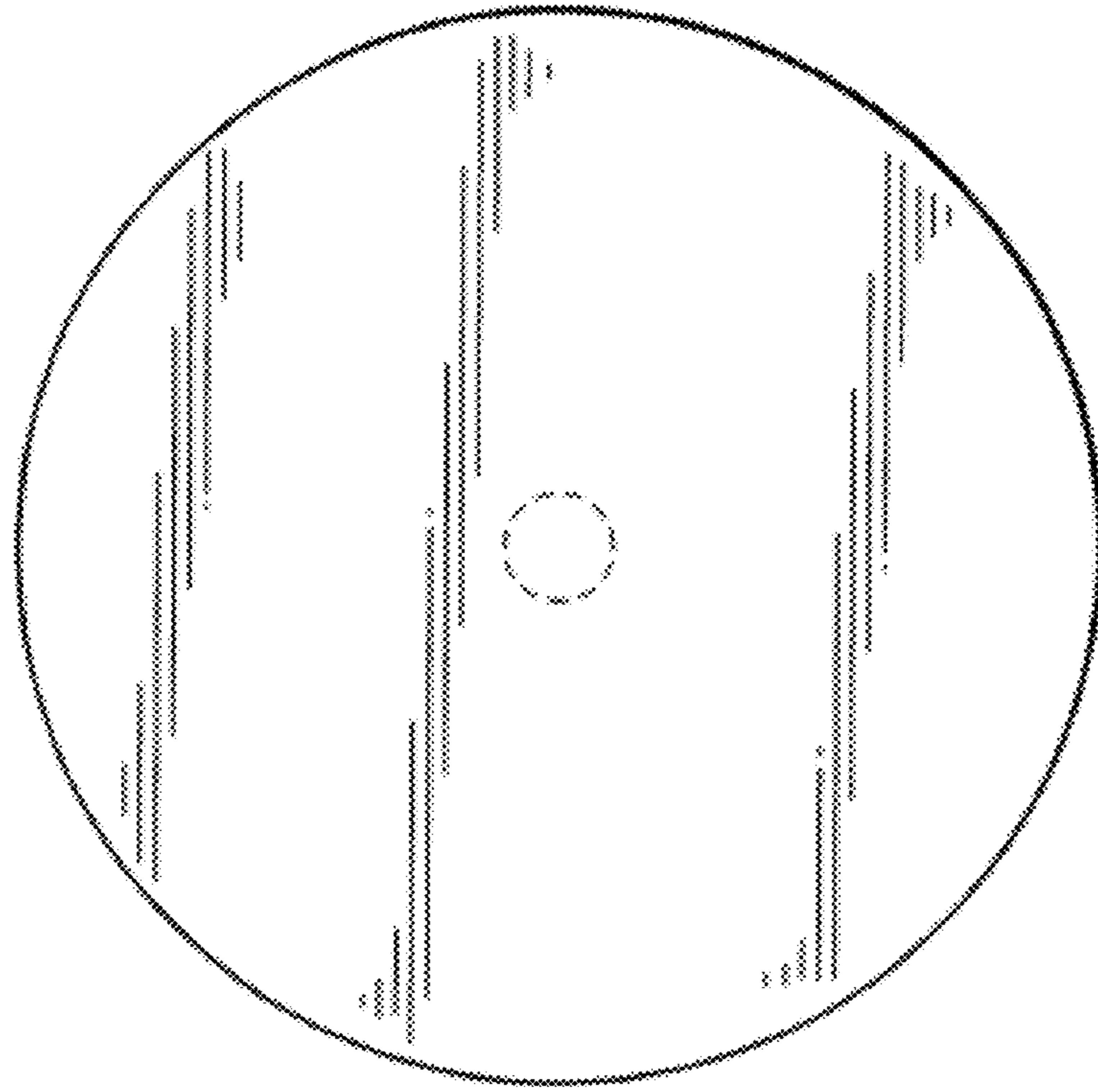


FIG. 3

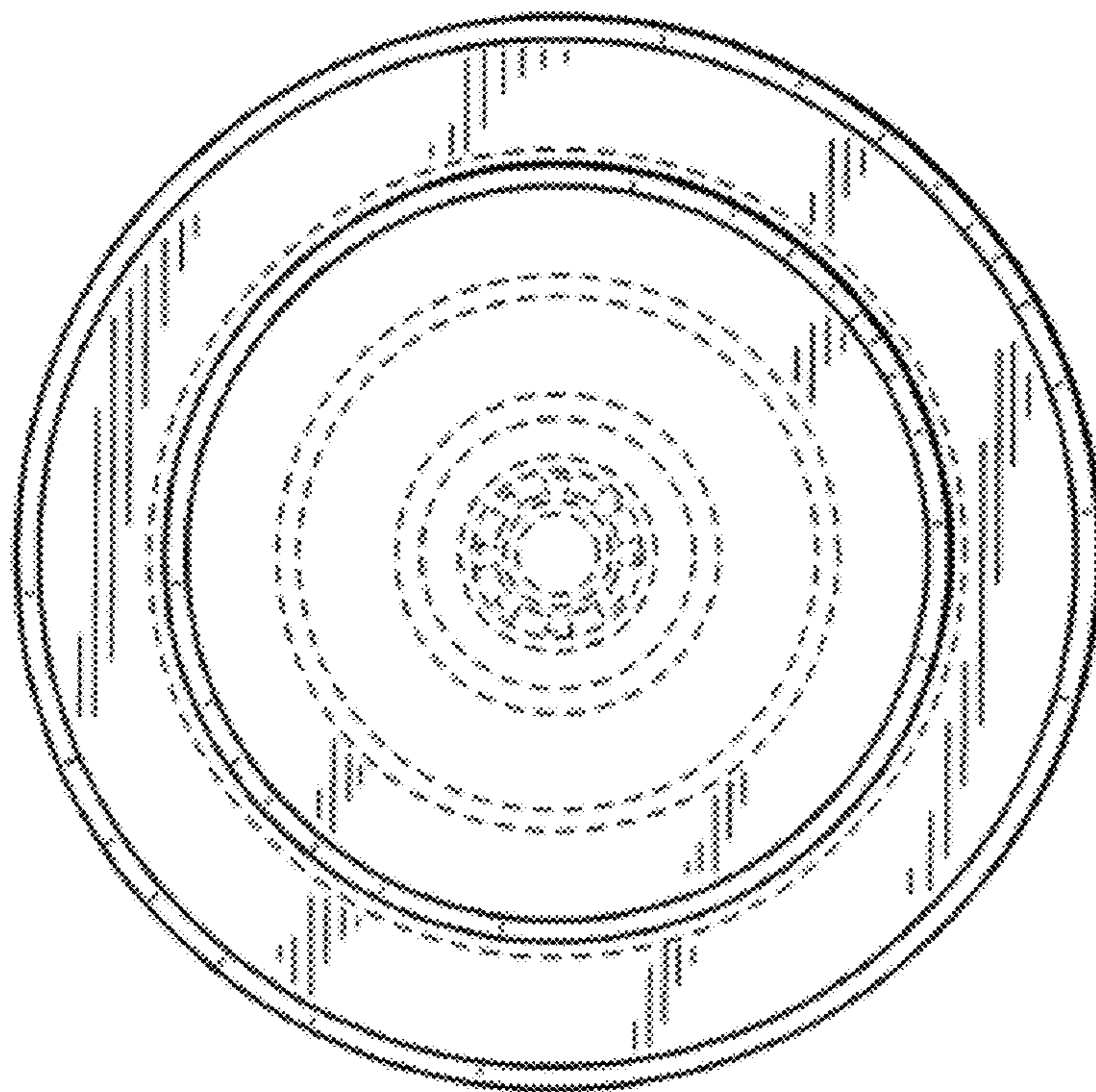


FIG. 2

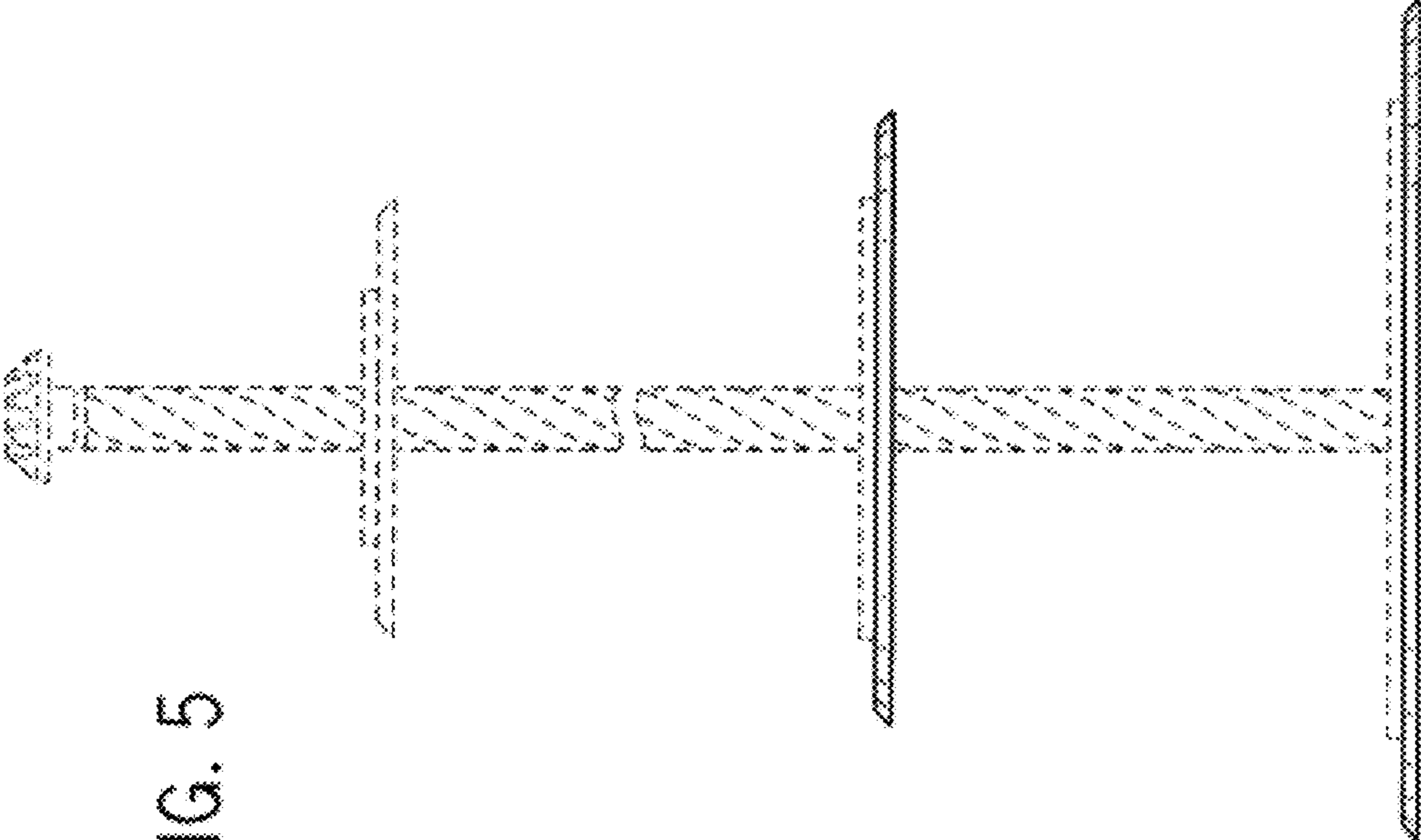


FIG. 5

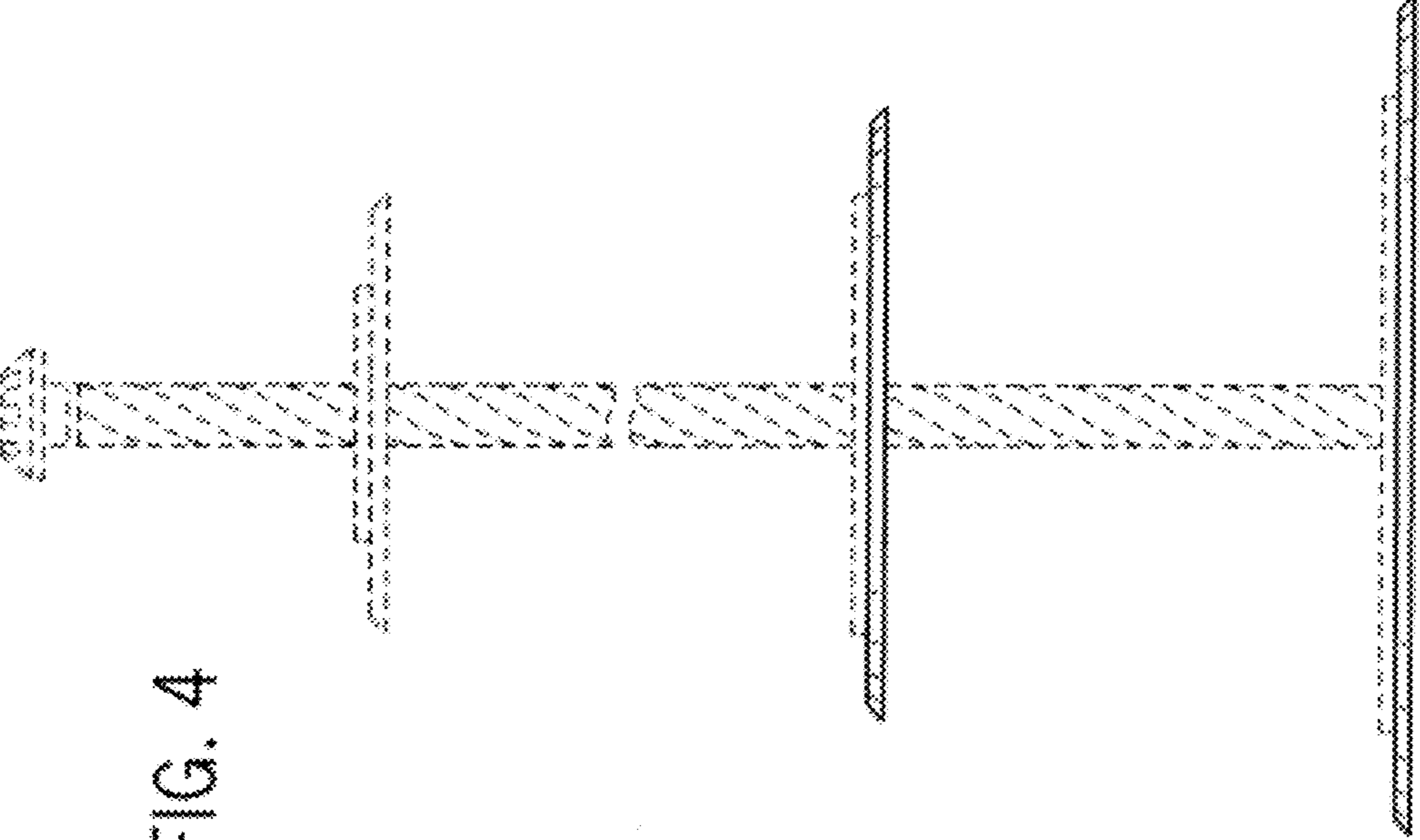


FIG. 4