



US00D658010S

(12) **United States Design Patent**
Chen

(10) **Patent No.:** **US D658,010 S**
(45) **Date of Patent:** **** Apr. 24, 2012**

(54) **SUPPORTING FRAME FOR SUPPORTING CUP-LIKE OBJECTS**

(76) Inventor: **Fang-Yin Chen**, Taichung Hsien (TW)

(**) Term: **14 Years**

(21) Appl. No.: **29/384,520**

(22) Filed: **Jan. 31, 2011**

(51) **LOC (9) Cl.** **07-06**

(52) **U.S. Cl.** **D7/600.1; D7/704**

(58) **Field of Classification Search** D7/600.1-600.4,
D7/701-708; D6/409-415, 449, 454-458,
D6/461-469, 509-511; 211/409, 71.01,
211/70.1, 41.2, 41.7, 42, 51, 85.1, 181.1,
211/85.2, 88.3

See application file for complete search history.

(56) **References Cited**

U.S. PATENT DOCUMENTS

D372,847 S * 8/1996 Sparks D7/600.1
D421,531 S * 3/2000 Haas D6/411
D439,077 S * 3/2001 Knauf D6/462
D462,539 S * 9/2002 Segall D6/411

6,520,354 B1 * 2/2003 Skvorecz 211/181.1
D485,706 S * 1/2004 O'Connell Cooper
et al. D6/462
6,855,884 B2 * 2/2005 Spagnoli et al. 211/181.1

* cited by examiner

Primary Examiner — Terry Wallace

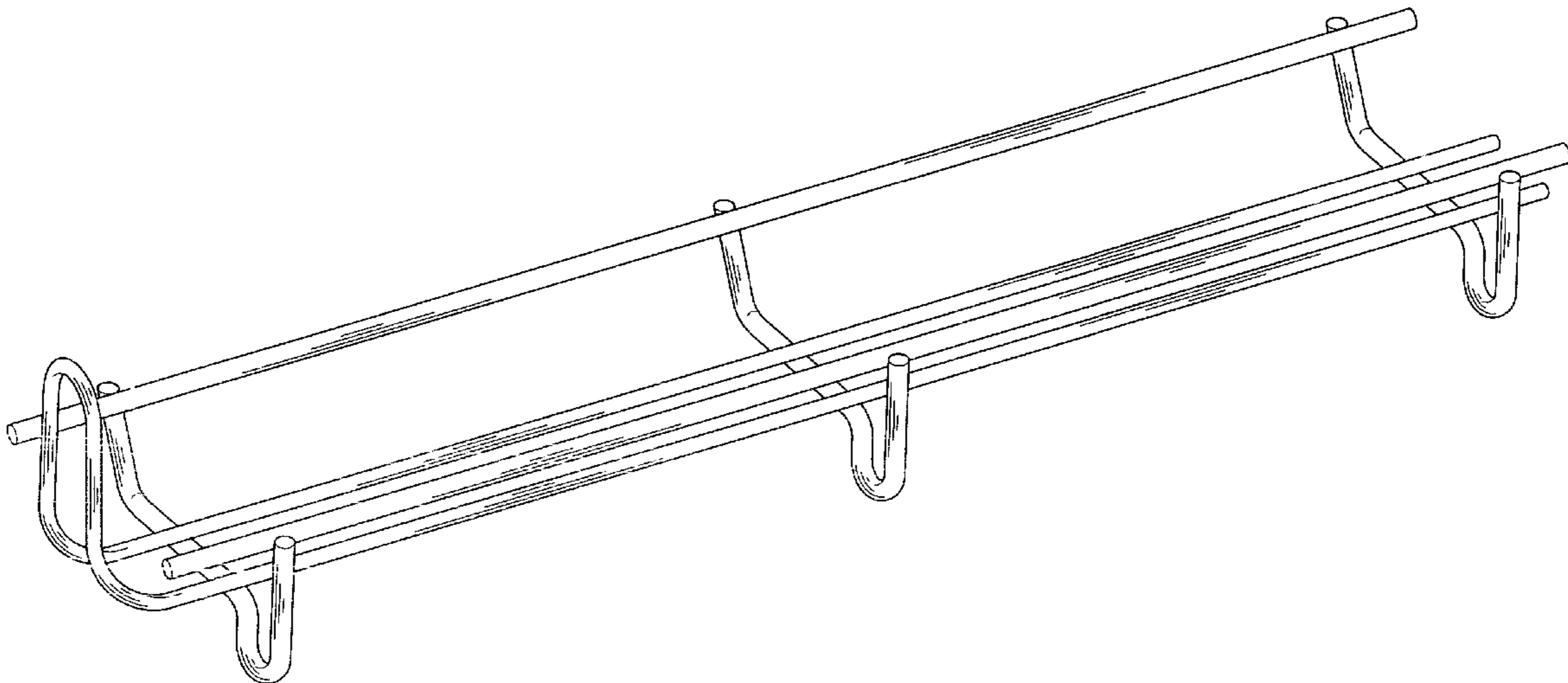
(57) **CLAIM**

The ornamental design for a supporting frame for supporting cup-like objects, as shown and described.

DESCRIPTION

FIG. 1 is a perspective view of a supporting frame for supporting cup-like objects showing my new design
FIG. 2 is a front elevational view thereof
FIG. 3 is a rear elevational view thereof.
FIG. 4 is a left side view thereof
FIG. 5 is a right side view thereof
FIG. 6 is a top plan view thereof
FIG. 7 is a bottom plan view thereof; and,
FIG. 8 is a perspective view showing the application of the present invention, where those indicated by dashed lines are not claimed.

1 Claim, 5 Drawing Sheets



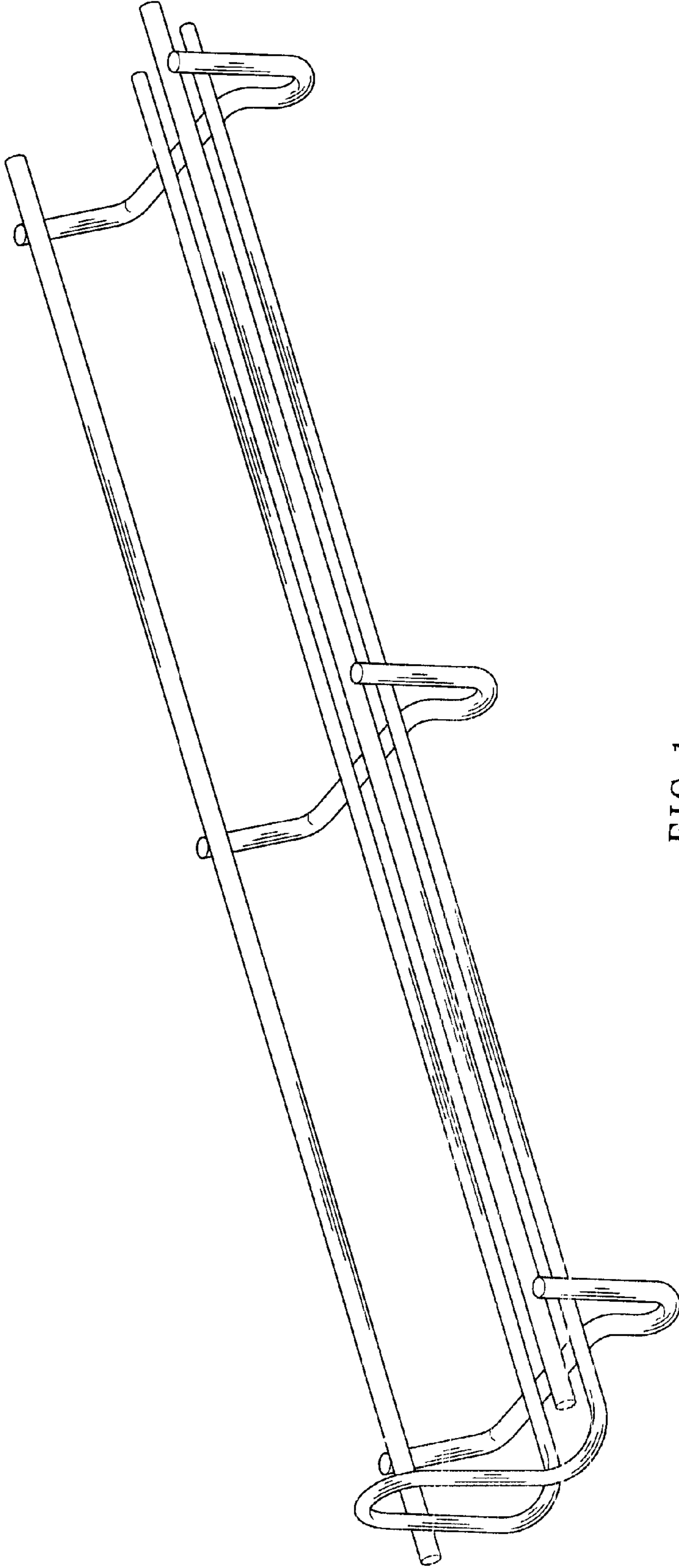


FIG. 1

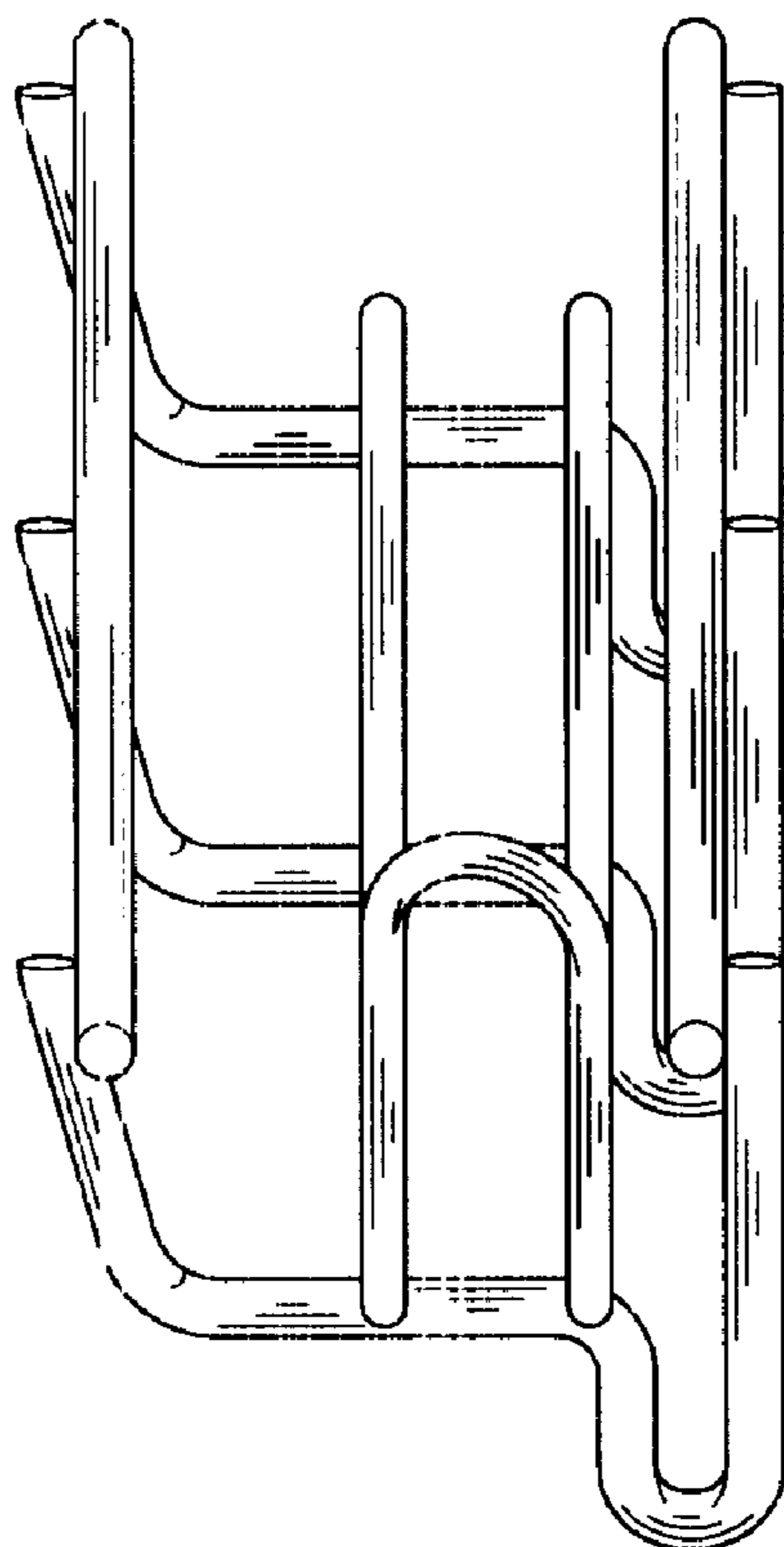


FIG. 2

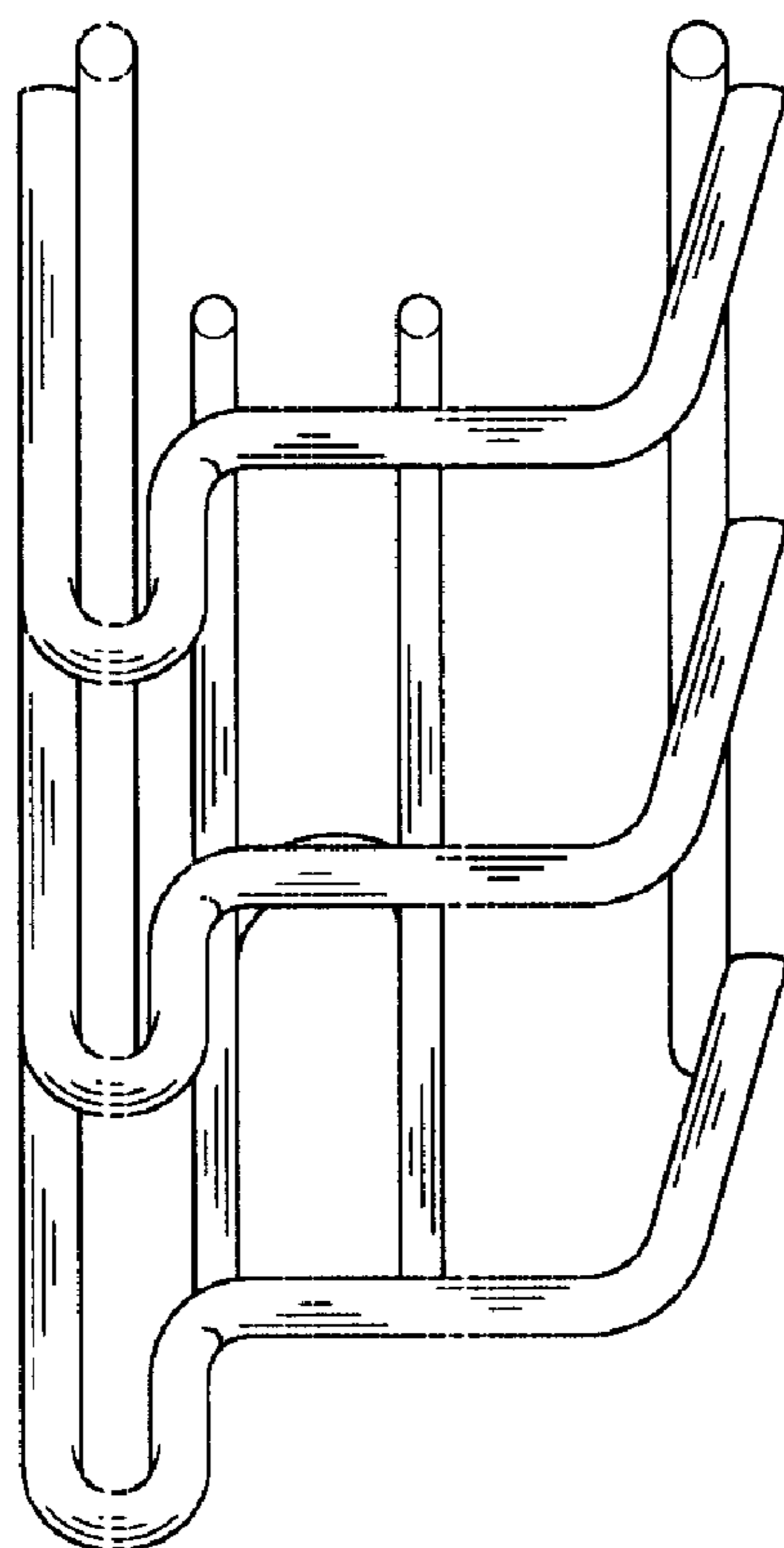


FIG. 3

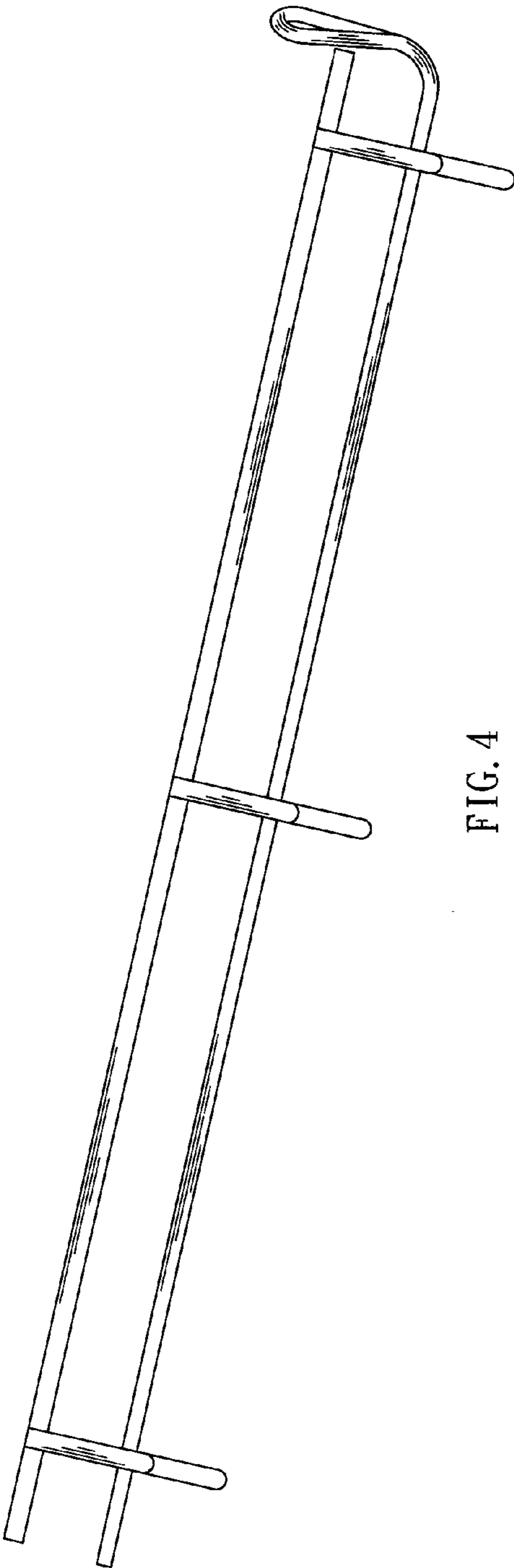


FIG. 4

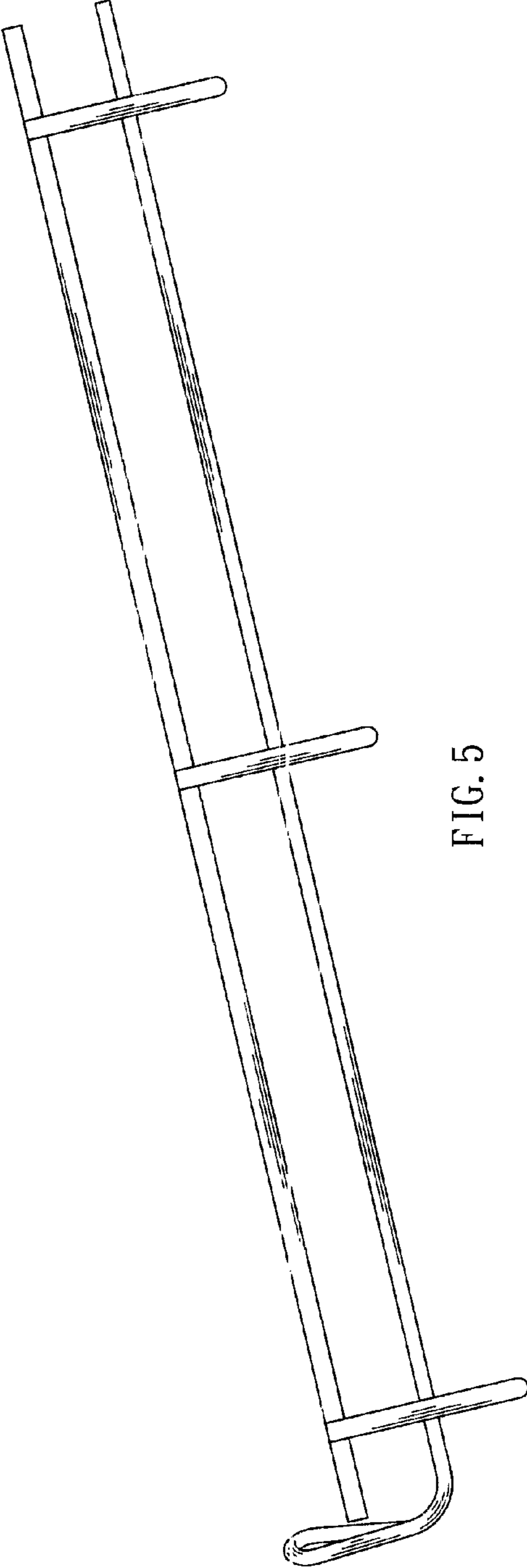


FIG. 5

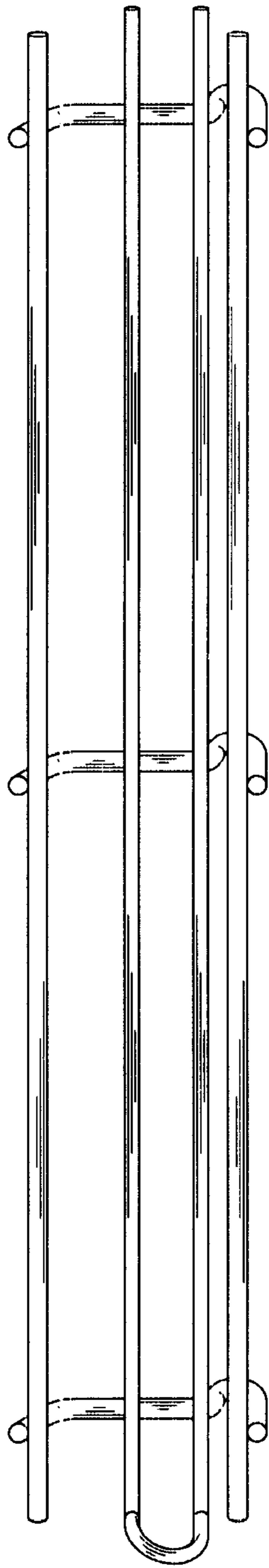


FIG. 6

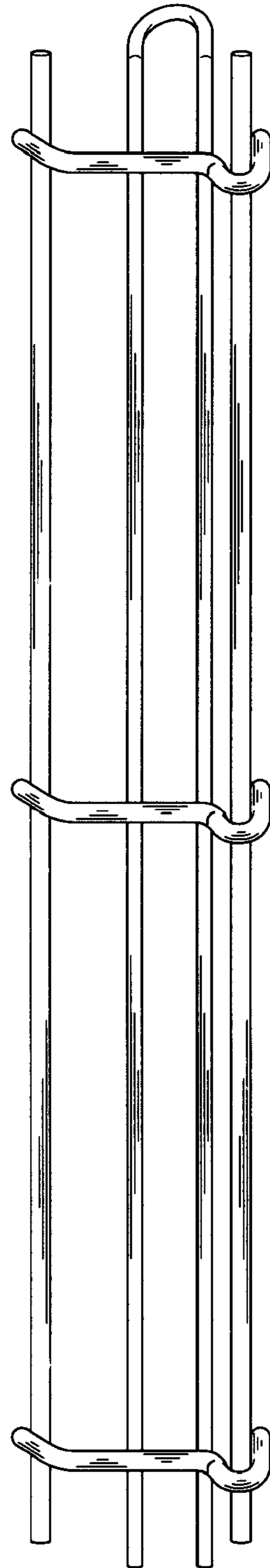


FIG. 7

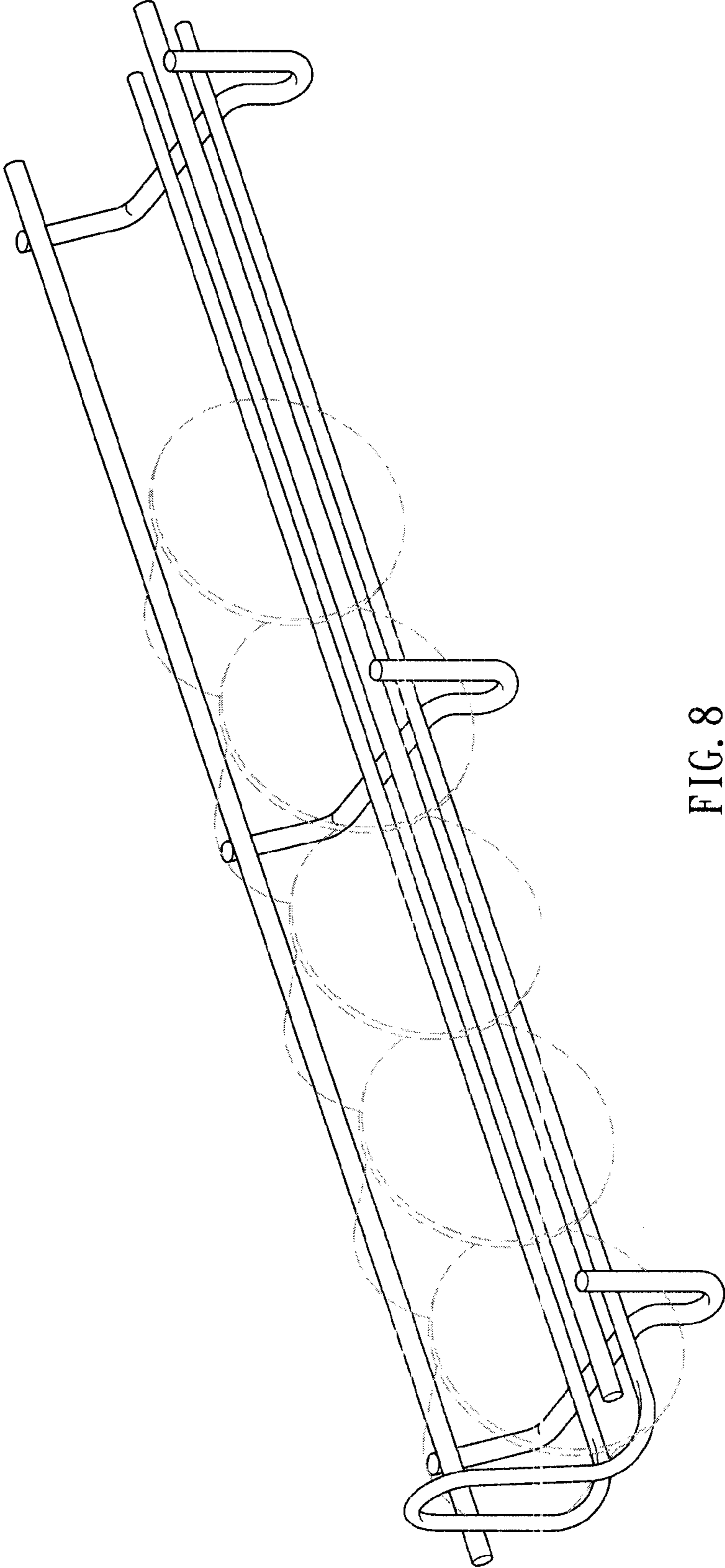


FIG. 8