



US00D657994S

(12) **United States Design Patent**  
**Wahl et al.**

(10) **Patent No.:** **US D657,994 S**  
(45) **Date of Patent:** **\*\* Apr. 24, 2012**

(54) **BEVERAGE CONTAINER CLOSURE**

(75) Inventors: **Andrew Wahl**, Seattle, WA (US);  
**Stephen Minarsch**, Seattle, WA (US);  
**Randy Sims**, Franklin, TN (US)

(73) Assignee: **Pacific Market International, LLC**,  
Seattle, WA (US)

(\*\*) Term: **14 Years**

(21) Appl. No.: **29/354,399**

(22) Filed: **Jan. 22, 2010**

(51) **LOC (9) Cl.** ..... **31-00**

(52) **U.S. Cl.** ..... **D7/392**

(58) **Field of Classification Search** ..... D7/900,  
D7/316, 317, 391, 392, 392.1, 396.2, 509,  
D7/511, 629; D9/434, 435, 440, 444, 445,  
D9/447, 449, 450, 454, 503, 504; 215/211,  
215/200, 224, 228, 243; 220/254.7, 269,  
220/270, 271, 700, 701, 703, 711, 713, 714,  
220/715, 719; 222/482

See application file for complete search history.

(56) **References Cited**

U.S. PATENT DOCUMENTS

D395,783 S *	7/1998	Cautereels	.....	D7/318
D479,802 S *	9/2003	Arduini	.....	D9/505
D479,951 S *	9/2003	Segura	.....	D7/608
D572,082 S *	7/2008	Kortleven	.....	D7/510
D577,958 S *	10/2008	Homma	.....	D7/510
D581,211 S *	11/2008	Lapsker	.....	D7/396.2
D582,206 S *	12/2008	Fuller	.....	D7/392.1

D602,308 S *	10/2009	Alviar et al.	.....	D7/510
D608,141 S *	1/2010	Sanders	.....	D7/398
D621,207 S *	8/2010	Bodum	.....	D7/392.1
D622,545 S *	8/2010	Wahl	.....	D7/510
D624,357 S *	9/2010	George	.....	D7/396.2
D632,521 S *	2/2011	Wahl	.....	D7/392.1
D634,972 S *	3/2011	Staton	.....	D7/392.1
D636,634 S *	4/2011	Kemper et al.	.....	D7/396.2
D638,658 S *	5/2011	Staton	.....	D7/392
D642,918 S *	8/2011	Taylor	.....	D9/453
D643,679 S *	8/2011	Lu	.....	D7/392.1

\* cited by examiner

*Primary Examiner* — Cynthia Underwood

(74) *Attorney, Agent, or Firm* — Davis Wright Tremaine  
LLP; George C. Rondeau, Jr.

(57) **CLAIM**

The ornamental design for a beverage container closure, as shown and described.

**DESCRIPTION**

FIG. 1 is a top left side perspective view of a beverage container closure showing our new design.

FIG. 2 is a left side elevational view thereof.

FIG. 3 is a right side elevational view thereof.

FIG. 4 is a front elevational view thereof.

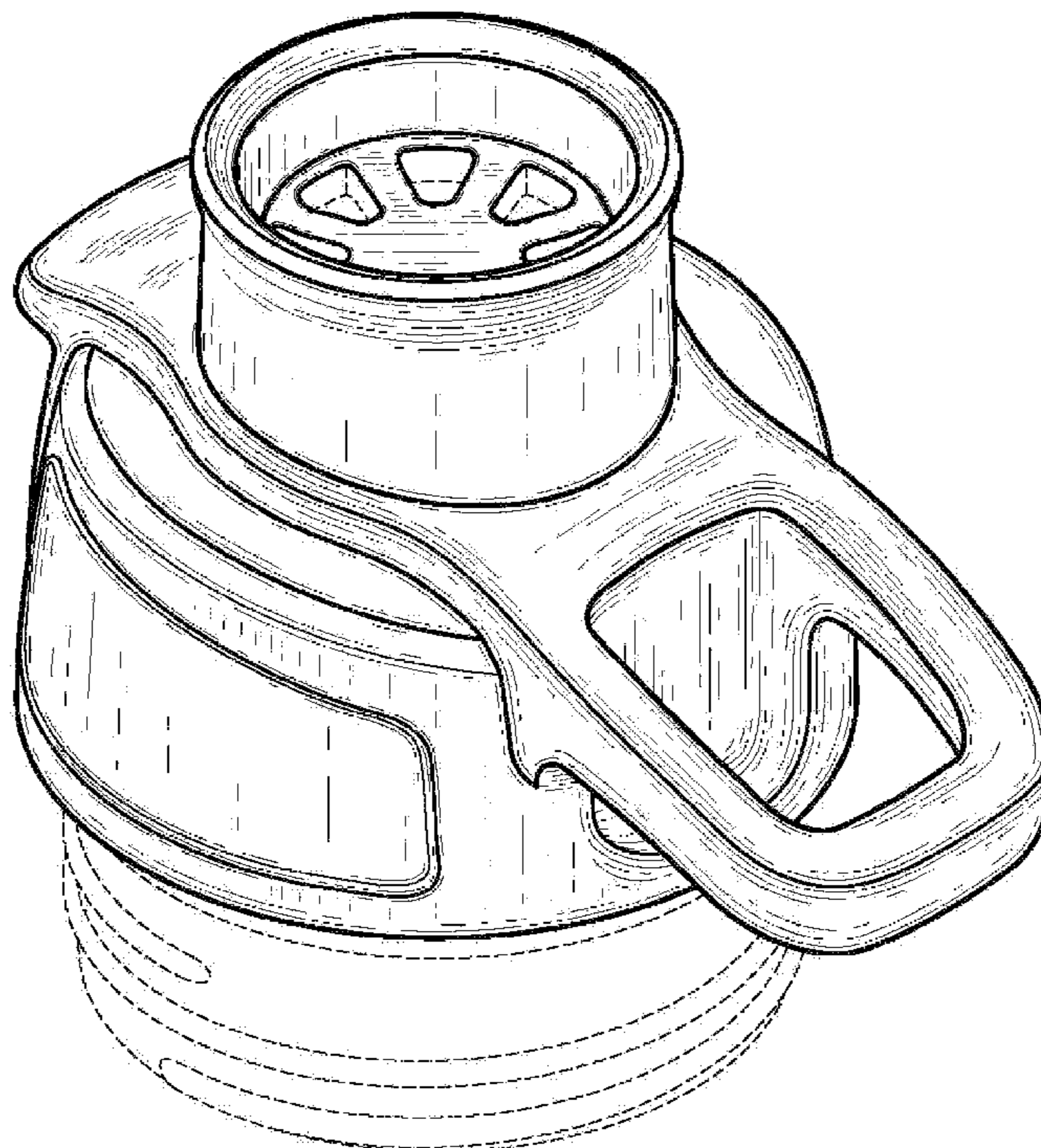
FIG. 5 is a rear elevational view thereof

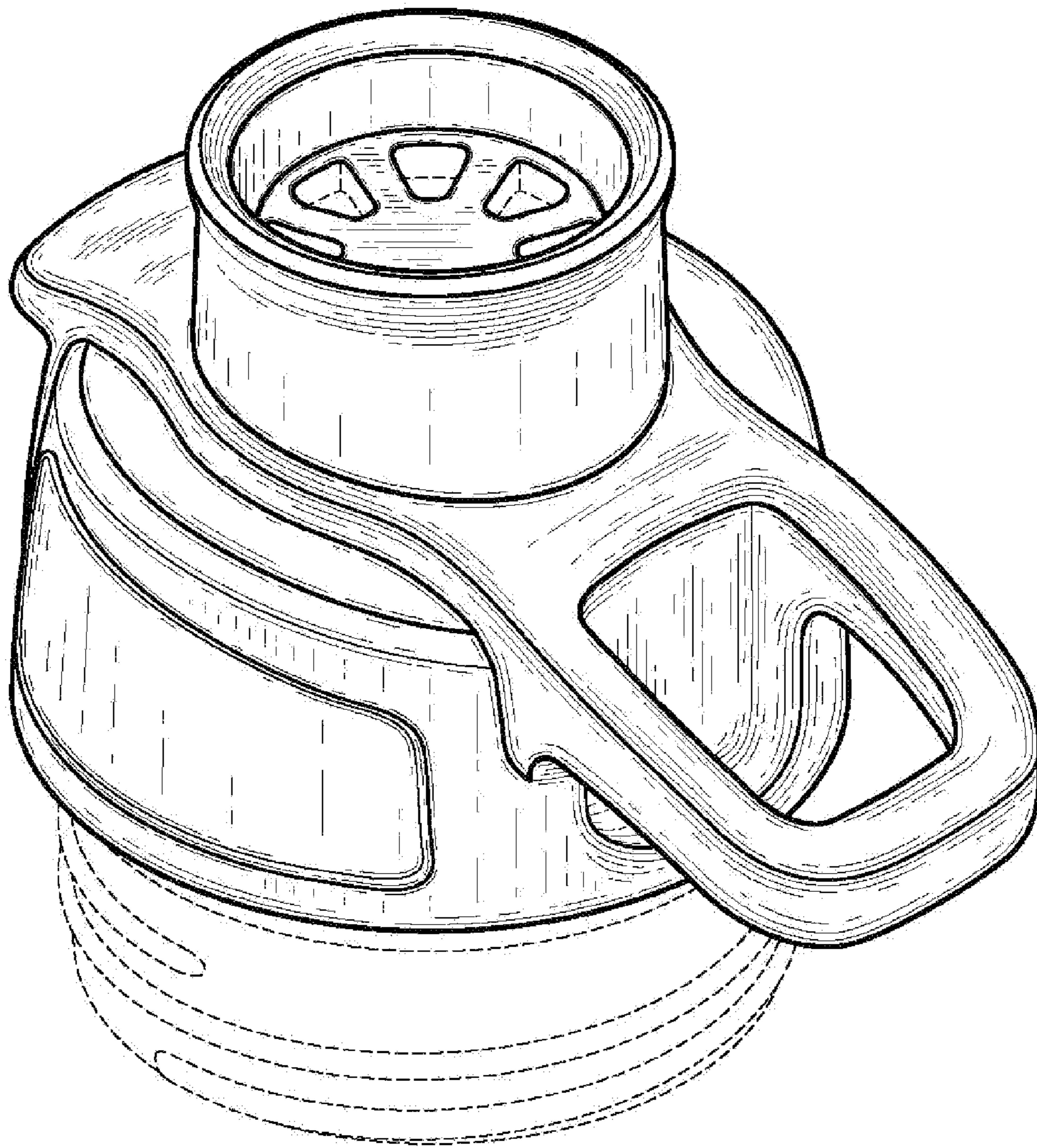
FIG. 6 is a top plan view thereof; and,

FIG. 7 is a bottom plan view thereof.

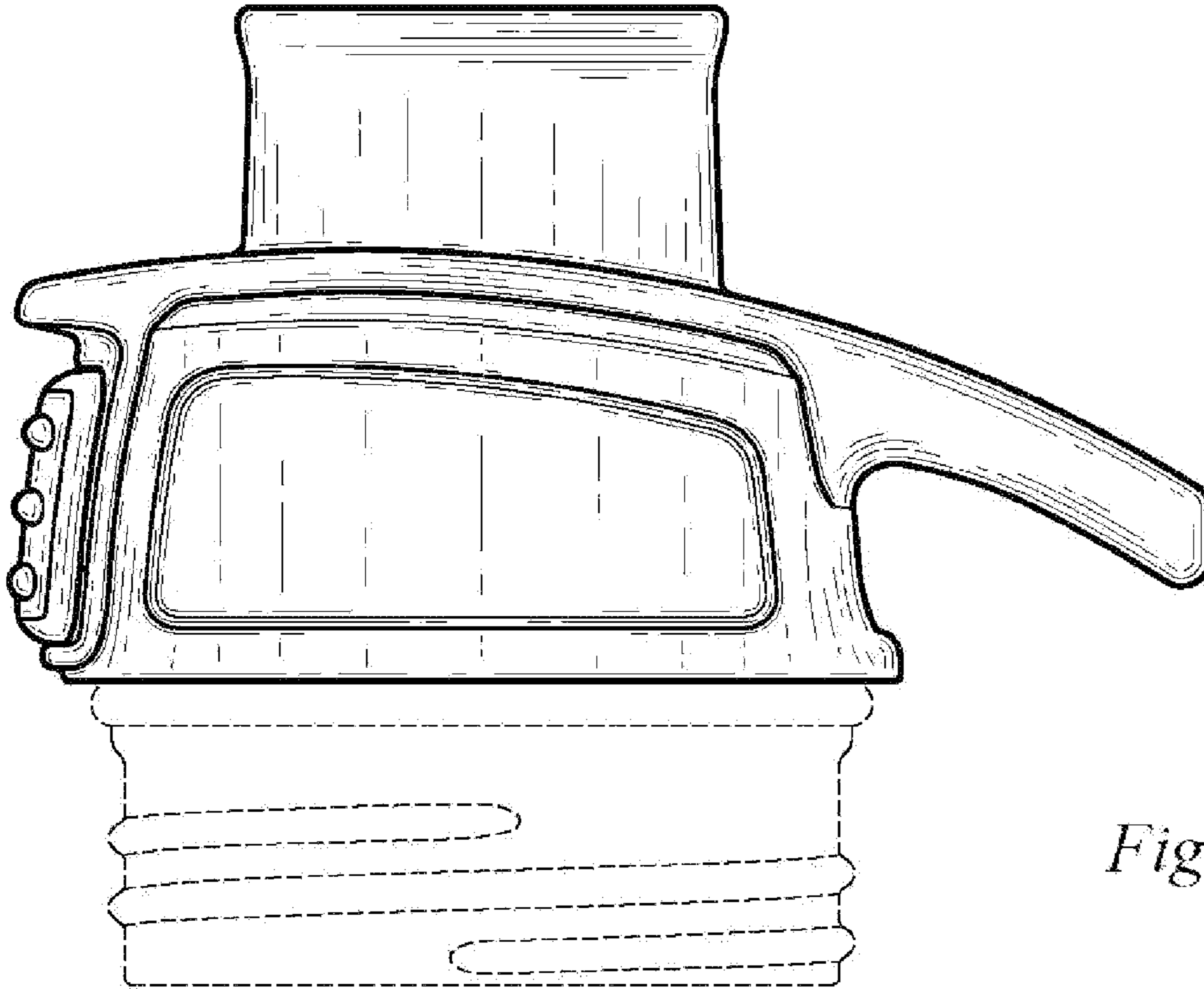
The broken lines represent portions of the beverage container closure that form no part of the claim.

**1 Claim, 4 Drawing Sheets**

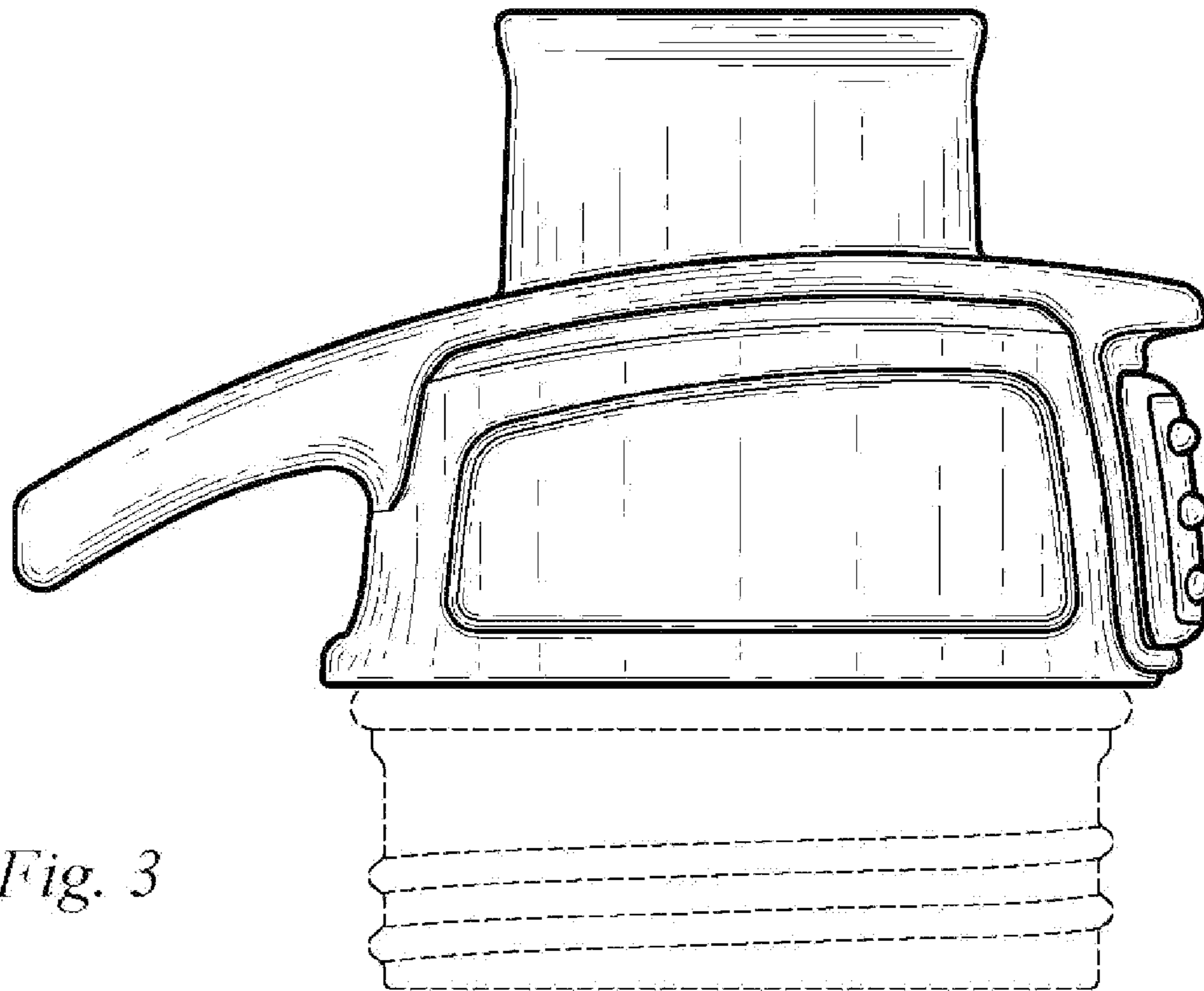




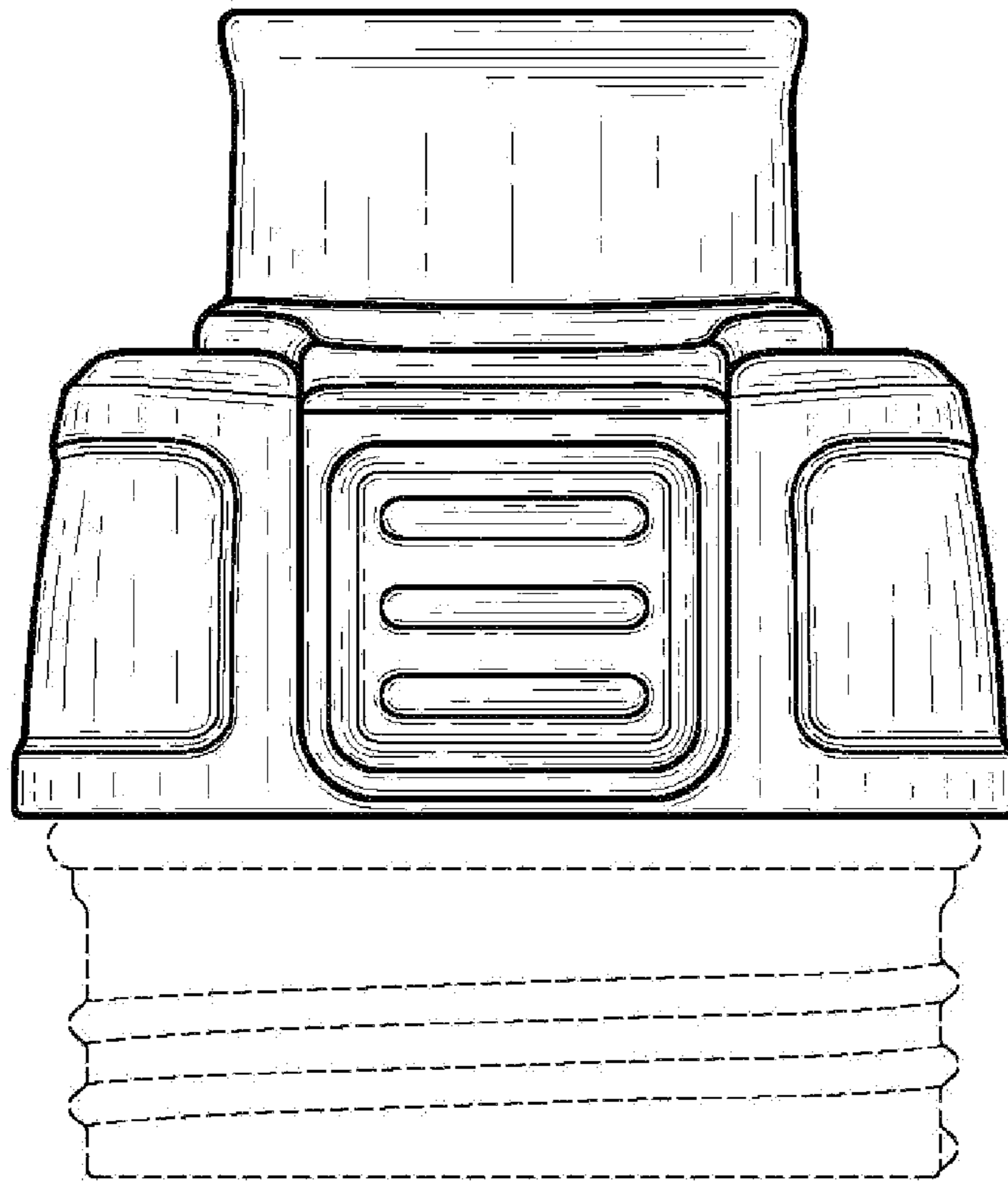
*Fig. 1*



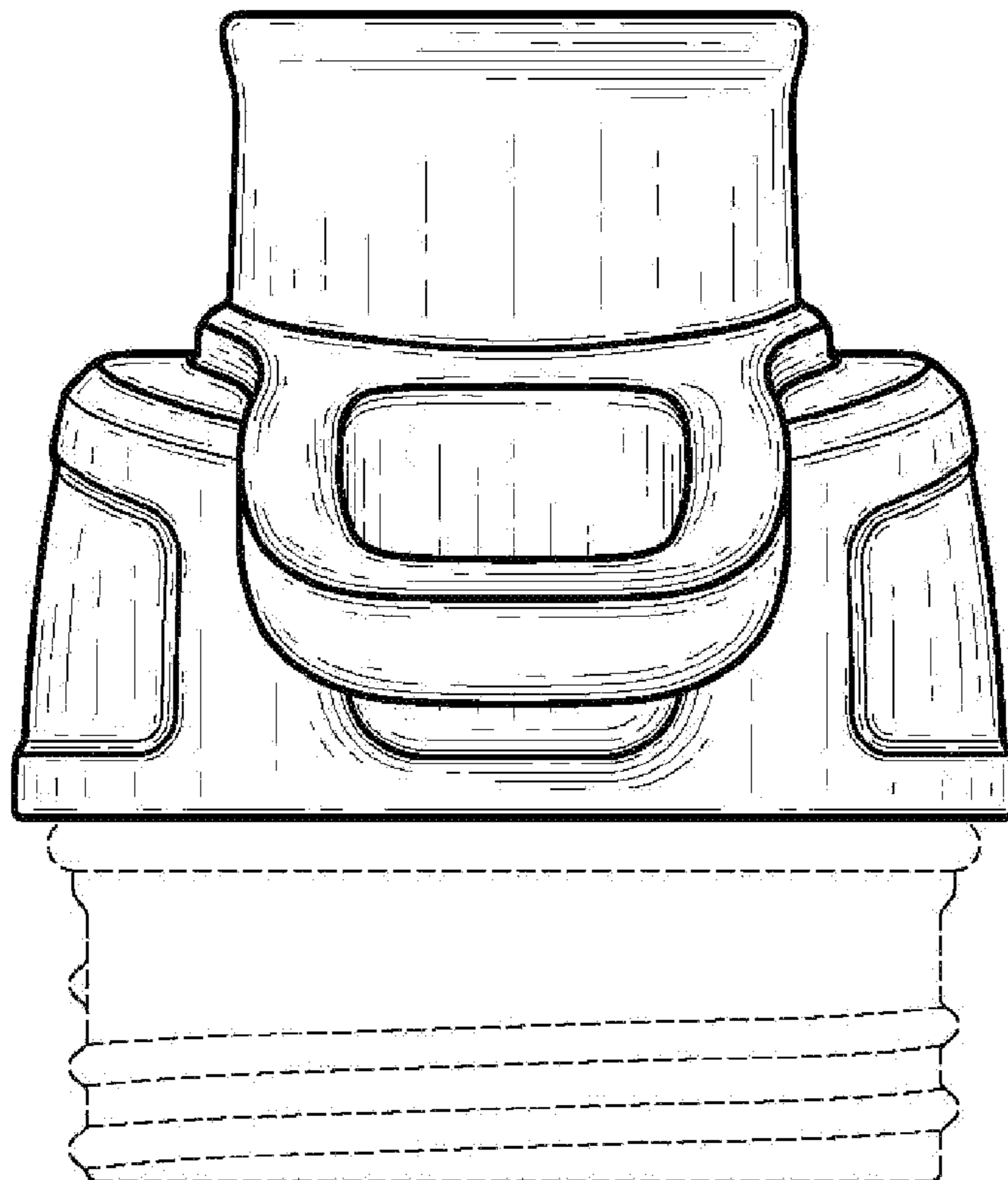
*Fig. 2*



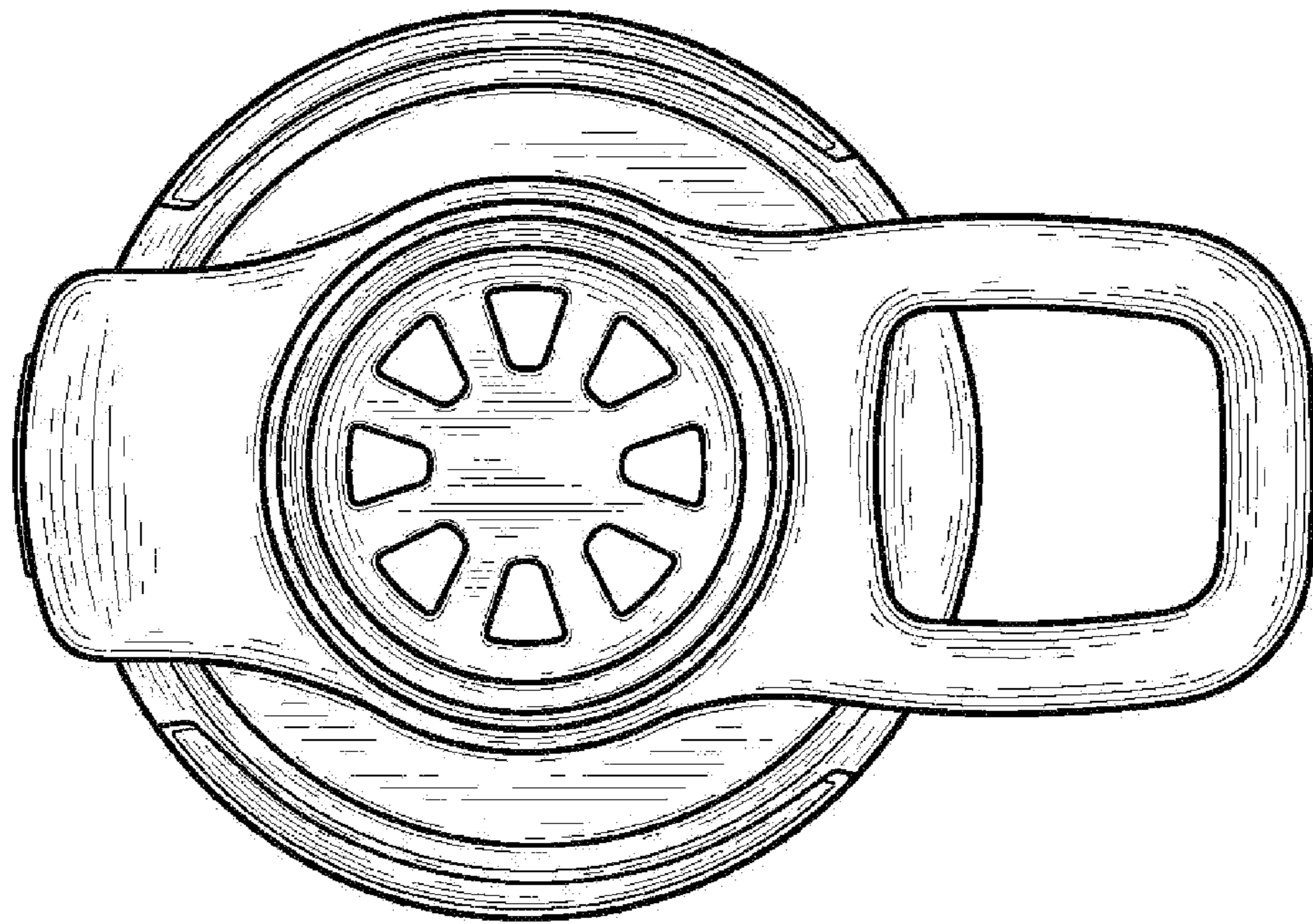
*Fig. 3*



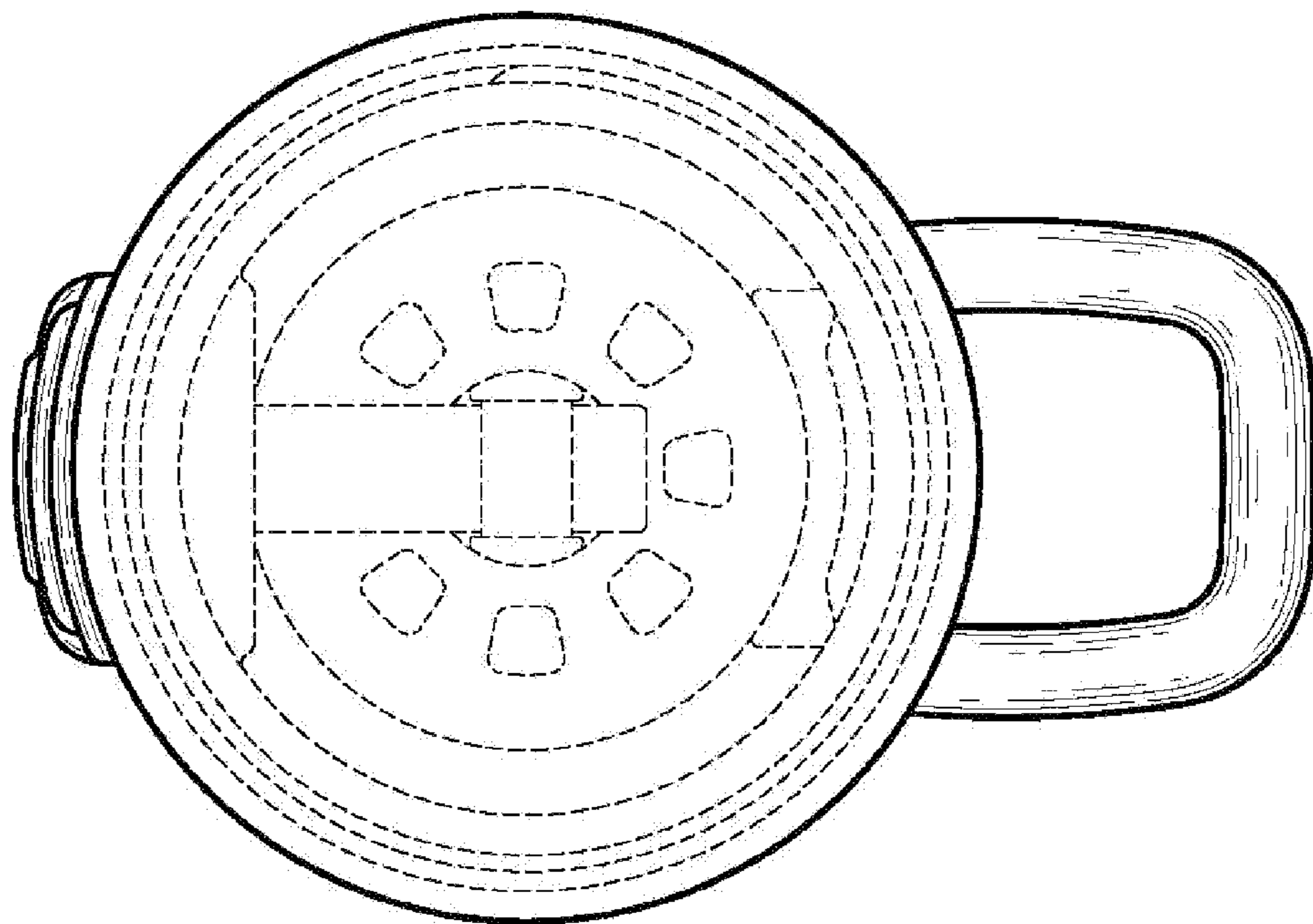
*Fig. 4*



*Fig. 5*



*Fig. 6*



*Fig. 7*