



US00D657993S

(12) **United States Design Patent**
Pantaleo

(10) **Patent No.:** **US D657,993 S**
(45) **Date of Patent:** **** Apr. 24, 2012**

(54) **SLOW COOKER**

(75) Inventor: **Sarah Pantaleo**, Sandy Springs, GA
(US)

(73) Assignee: **Calphalon Corporation**, Atlanta, GA
(US)

(**) Term: **14 Years**

(21) Appl. No.: **29/398,840**

(22) Filed: **Aug. 5, 2011**

(51) **LOC (9) Cl.** **07-02**

(52) **U.S. Cl.** **D7/357; D7/354**

(58) **Field of Classification Search** D7/323,
D7/329-331, 339, 346-347, 350.1-350.4,
D7/353-367, 391, 393, 395, 402, 406, 538,
D7/542; 99/324-325, 331-332, 337-340,
99/369, 400-418, 422, 425, 444, 483; 126/37 R,
126/261, 374.1, 378.1; 206/501-505, 507-508;
219/400, 405, 429-442, 620-624, 725, 730-735;
220/203.05, 203.07, 203.09, 298, 315-316,
220/573.1-573.5, 912; 426/438, 441
See application file for complete search history.

(56) **References Cited**

U.S. PATENT DOCUMENTS

D371,038 S	6/1996	Hsu	
D402,848 S	12/1998	Piret	
D420,246 S *	2/2000	Alonge et al.	D7/360
D429,596 S *	8/2000	Hlava et al.	D7/360
D433,869 S *	11/2000	Wong et al.	D7/360
D434,940 S *	12/2000	Hlava et al.	D7/354
D443,466 S	6/2001	Wanat et al.	
D445,298 S *	7/2001	DeBord et al.	D7/360
D448,238 S	9/2001	Schmidt	
D451,335 S *	12/2001	Rossmann	D7/360
D453,091 S	1/2002	Gouthiere	
D455,040 S	4/2002	Pannozzo et al.	
D464,526 S	10/2002	Brown	
6,498,323 B1	12/2002	Robertson et al.	

D480,908 S	10/2003	Krasne	
D488,951 S	4/2004	Josancy	
D503,584 S	4/2005	White et al.	
D520,806 S	5/2006	Ryan	
D523,687 S	6/2006	Jian	
D537,670 S *	3/2007	Genslak et al.	D7/354
D547,598 S	7/2007	Hasuike	
D552,922 S	10/2007	Dallaire	
7,291,812 B2 *	11/2007	Kaney et al.	219/435
D556,504 S *	12/2007	Averty	D7/360
D566,457 S	4/2008	Ryan	
D568,676 S *	5/2008	Steiner et al.	D7/354
7,485,831 B2 *	2/2009	Tynes et al.	219/433
D590,654 S *	4/2009	Perkins et al.	D7/354
7,605,349 B2	10/2009	Gaynor et al.	

(Continued)

Primary Examiner — Ricky Pham

(74) *Attorney, Agent, or Firm* — Newell Rubbermaid, Inc.

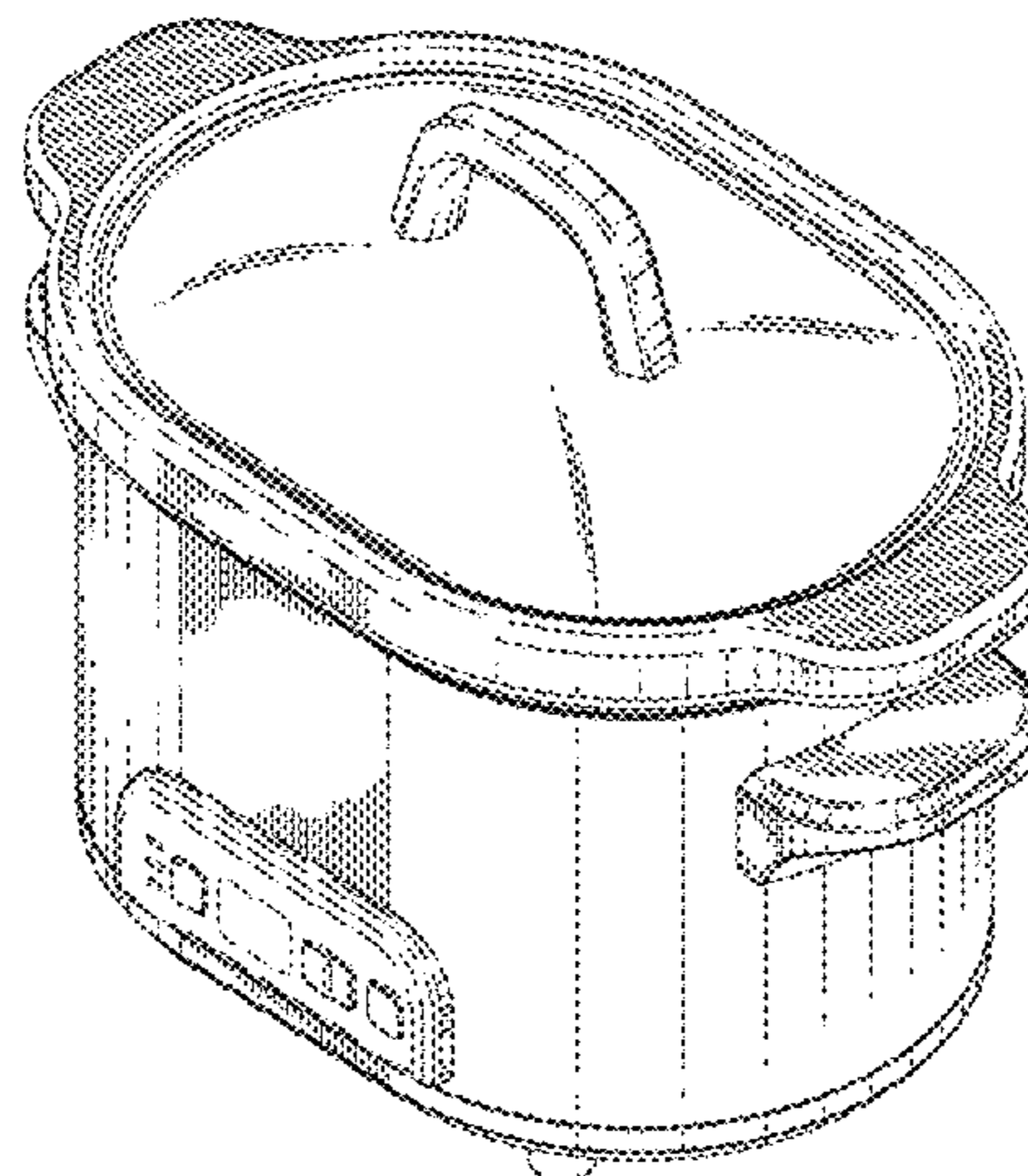
(57) **CLAIM**

The ornamental design for a “slow cooker,” as shown and described.

DESCRIPTION

FIG. 1 is a perspective view of a slow cooker, showing my new design, according to one embodiment;
FIG. 2 is a front elevational view of the slow cooker shown in FIG. 1;
FIG. 3 is a back elevational view of the slow cooker shown in FIG. 1;
FIG. 4 is a right side elevational view of the slow cooker shown in FIG. 1;
FIG. 5 is a left side elevational view of the slow cooker shown in FIG. 1;
FIG. 6 is a top plan view of the slow cooker shown in FIG. 1; and,
FIG. 7 is a bottom plan view of the slow cooker shown in FIG. 1.
The subject matter shown in dashed lines is for illustrative purposes and forms no part of the claimed design.

1 Claim, 7 Drawing Sheets



US D657,993 S

Page 2

U.S. PATENT DOCUMENTS

D606,803 S *	12/2009	Picozza et al.	D7/354	D642,422 S *	8/2011	Averty	D7/358
D620,744 S *	8/2010	Rose	D7/357	D644,476 S *	9/2011	Gregory et al.	D7/354
D628,849 S *	12/2010	Tetreault et al.	D7/357	D646,114 S *	10/2011	Wong	D7/357
D632,130 S *	2/2011	Tetreault et al.	D7/357	2004/0079747 A1 *	4/2004	Wang	219/438
D635,818 S *	4/2011	Tse	D7/357	2005/0173402 A1	8/2005	White et al.	
D641,202 S *	7/2011	Bock et al.	D7/357	2007/0210062 A1 *	9/2007	Gaynor et al.	219/442

* cited by examiner

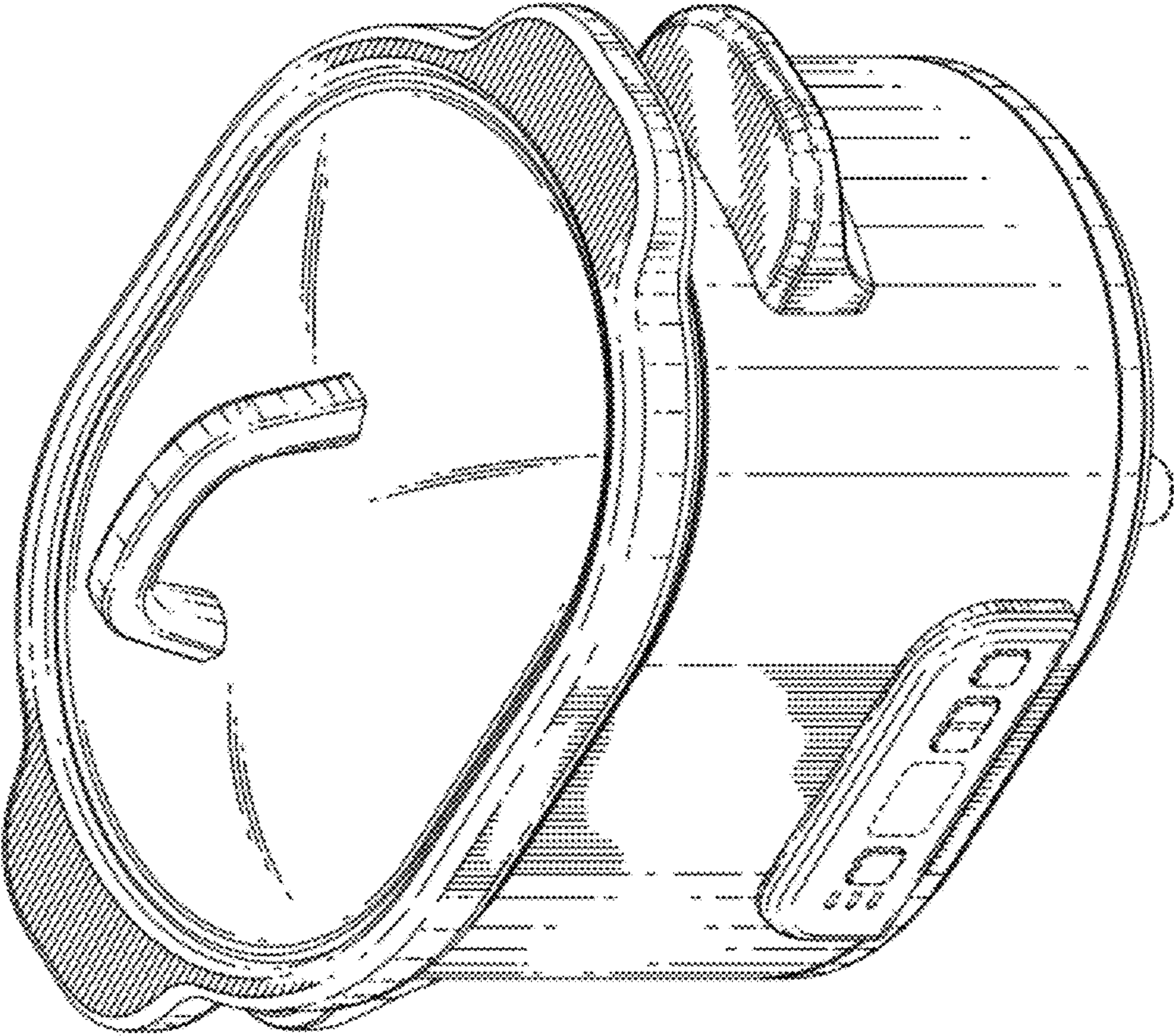


FIG. 1

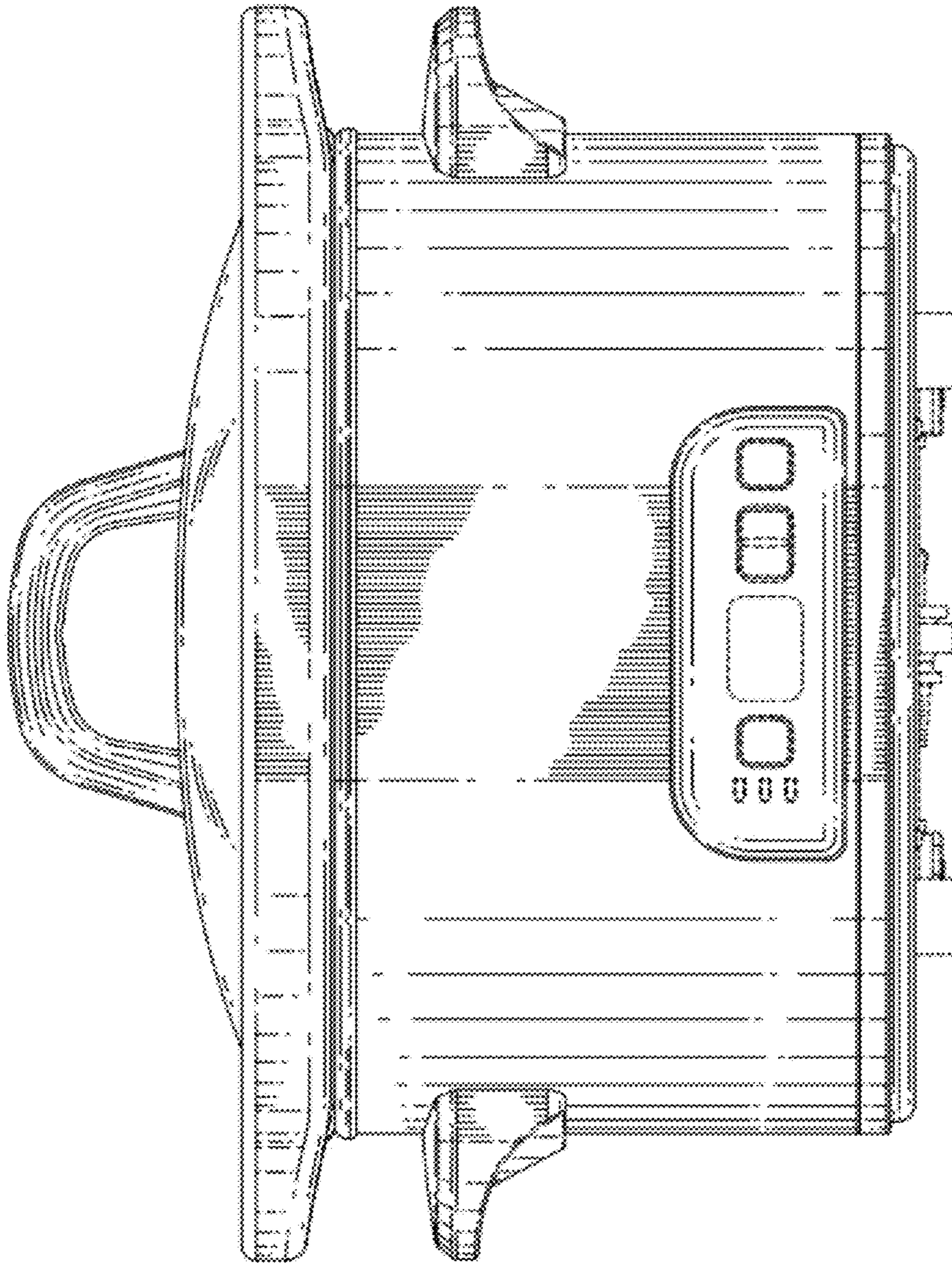


FIG. 2

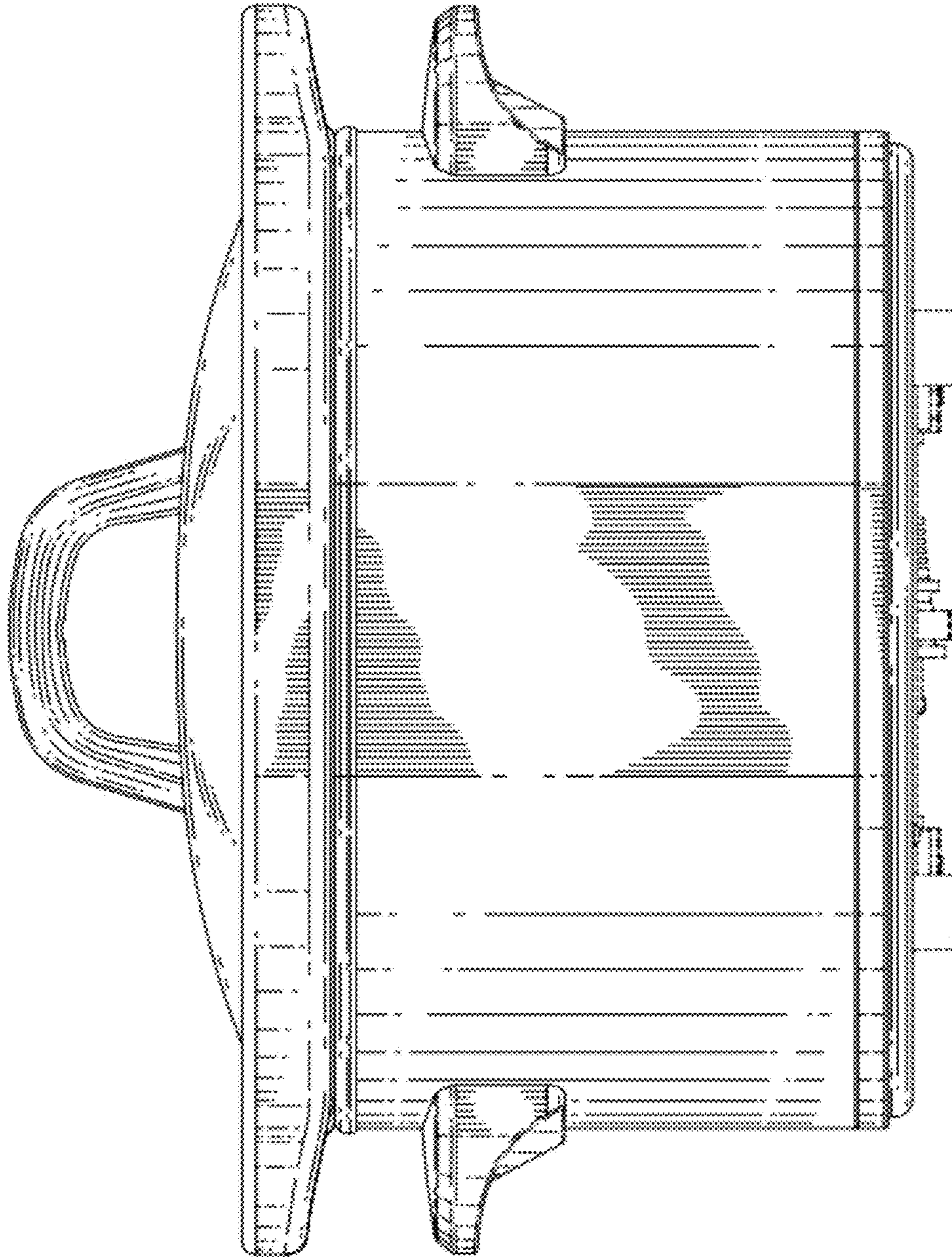


FIG. 3

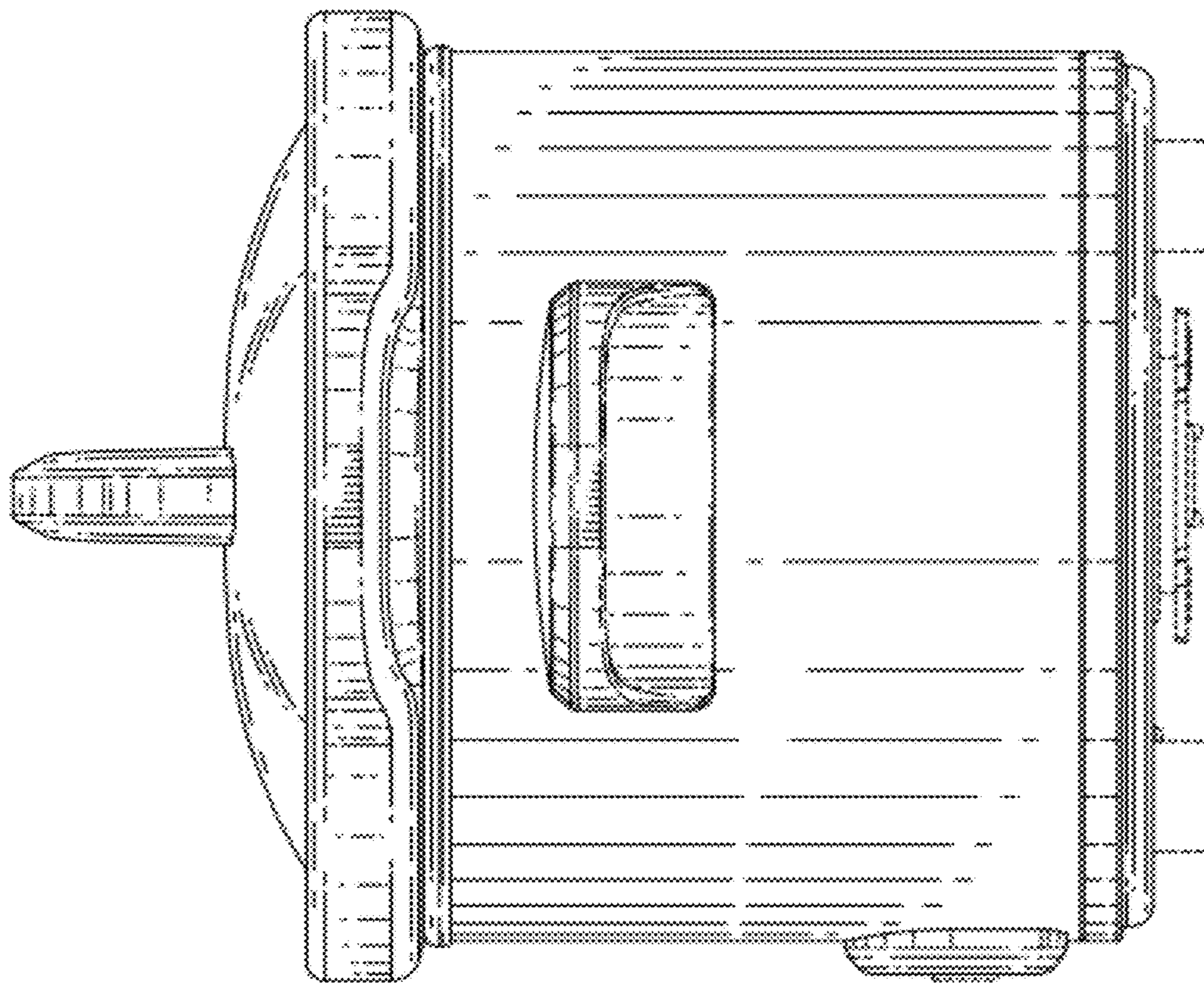


FIG.4

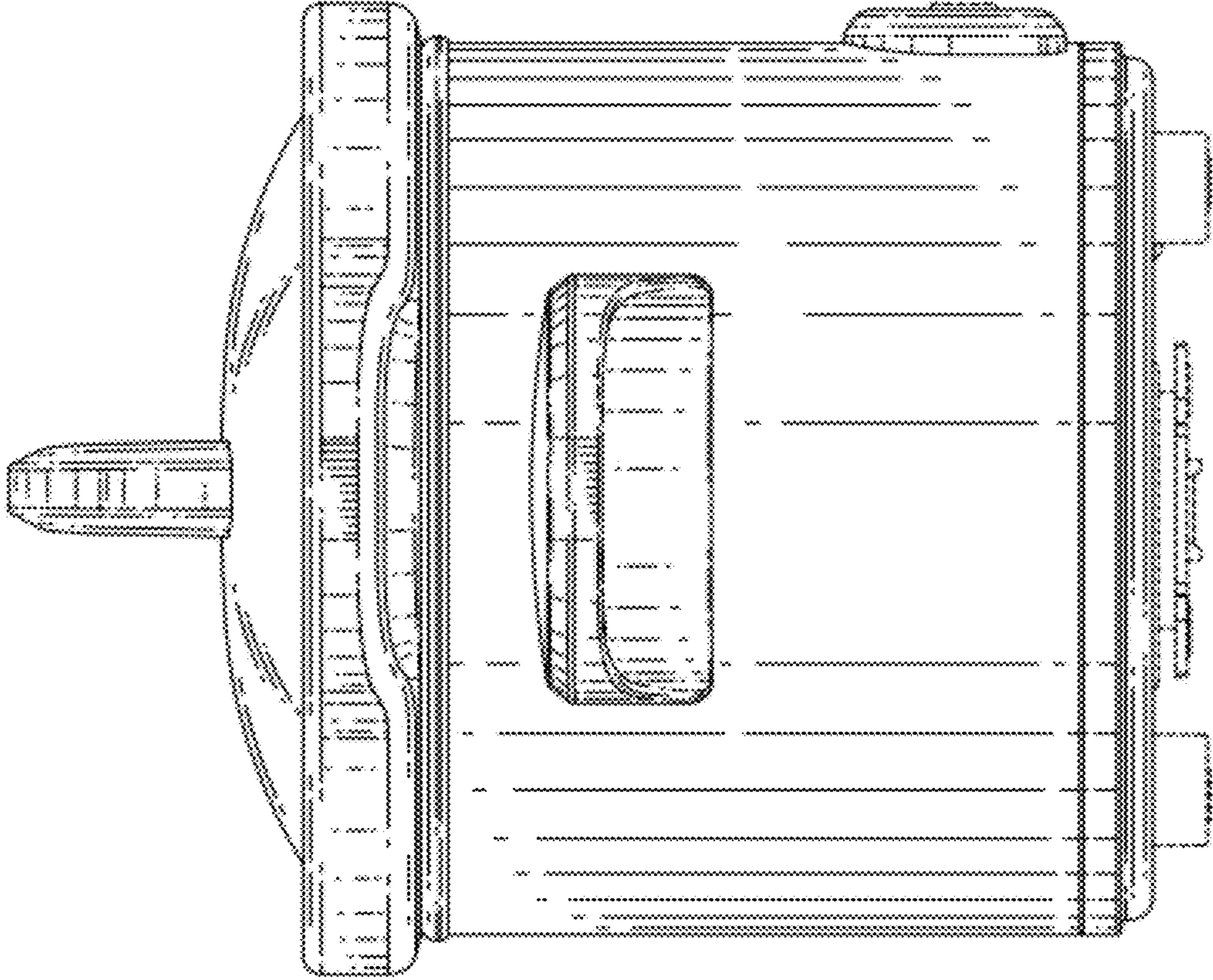


FIG. 5

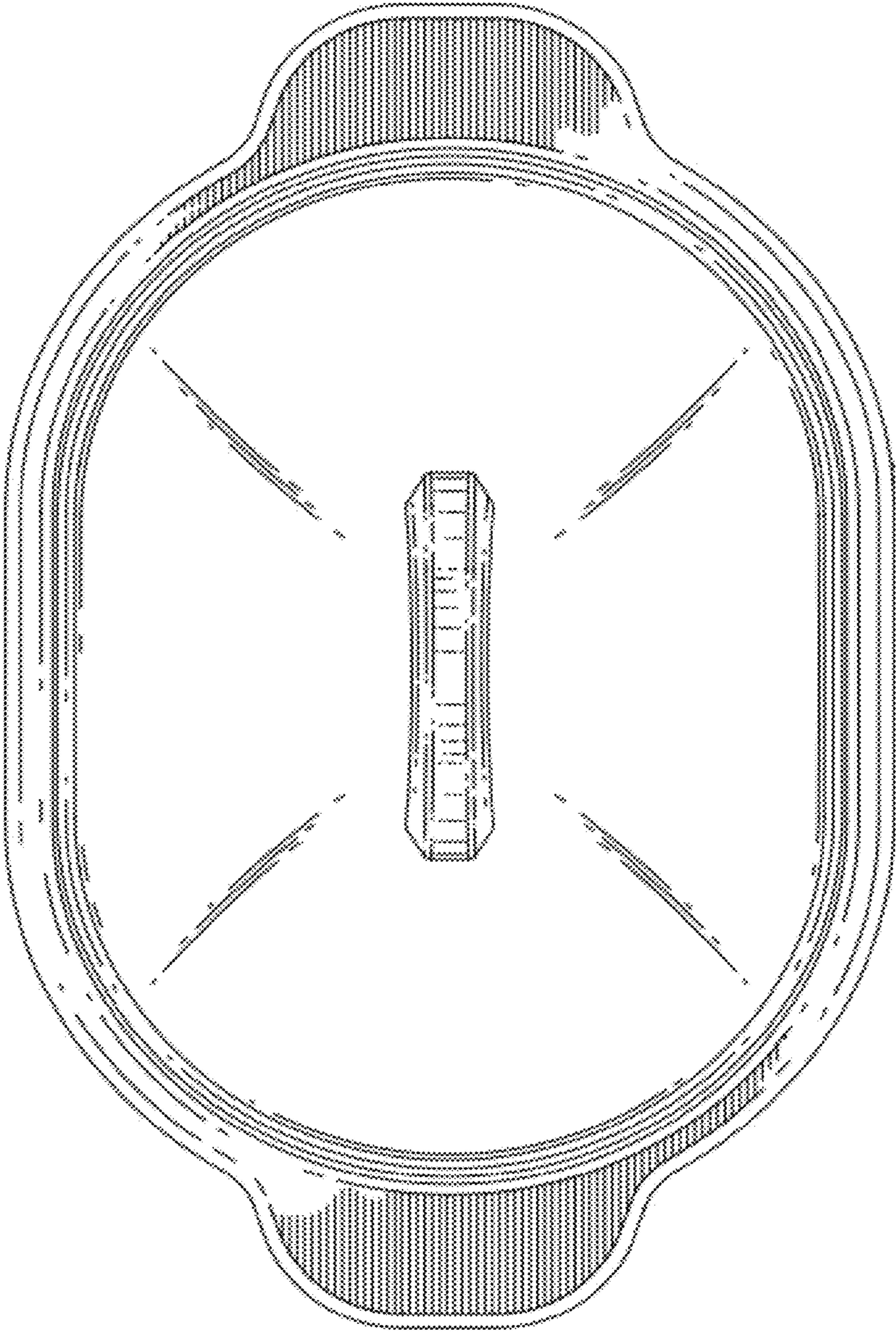


FIG. 6

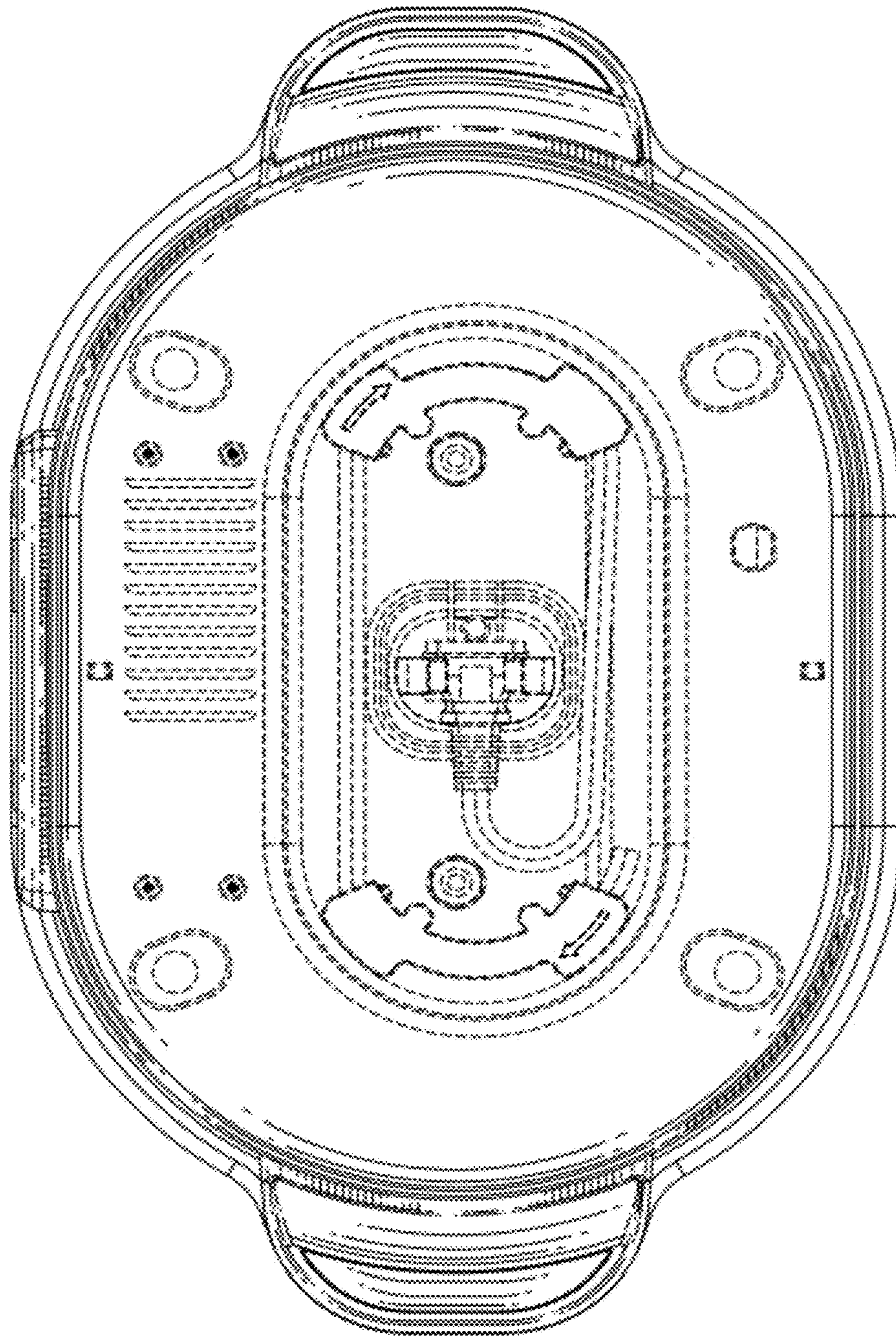


FIG.7