



US00D657992S

(12) **United States Design Patent**
Moodie et al.

(10) **Patent No.:** **US D657,992 S**
(45) **Date of Patent:** **** *Apr. 24, 2012**

(54) **PAN**

(75) Inventors: **David Moodie**, Wellington (NZ);
Graham Robert Brett Dalton,
Auckland (NZ)

(73) Assignee: **AGD Holdings Limited**, Auckland (NZ)

(*) Notice: This patent is subject to a terminal disclaimer.

(**) Term: **14 Years**

(21) Appl. No.: **29/371,304**

(22) Filed: **Dec. 23, 2010**

(30) **Foreign Application Priority Data**

Jun. 24, 2010 (NZ) 413778

(51) **LOC (9) Cl.** **07-02**

(52) **U.S. Cl.** **D7/354; D7/361**

(58) **Field of Classification Search** D7/323,
D7/329-332, 337, 339, 346-347, 350.1-350.4,
D7/354-363, 391, 393, 395, 402, 408-409,
D7/505, 538, 542-543, 549, 552.2, 584-587,
D7/667; D13/119; D24/227; 99/324-325,
99/331-332, 337-340, 396, 400-418, 425,
99/444-446, 450; 119/161, 166; 126/9 R,
126/25 A, 25 R, 41 R, 166, 275 R, 332, 380.1,
126/390.1; 206/501-505, 507-508; 219/400,
219/405, 435-442, 620-624, 725, 730-735;
220/485, 491, 573.1-573.5, 759, 912; 426/438,
426/441, 523

See application file for complete search history.

(56) **References Cited**

U.S. PATENT DOCUMENTS

D110,117	S	*	6/1938	Weis	D7/361
D174,431	S	*	4/1955	Jepson	D7/361
D181,246	S	*	10/1957	Boldt	D7/361
3,384,195	A	*	5/1968	Jepson et al.	219/442
D245,059	S	*	7/1977	Bardin	D7/361
D246,884	S	*	1/1978	Finke	D7/361
D256,420	S	*	8/1980	Rice et al.	D7/361
D262,104	S	*	12/1981	Simpson	D13/119
D363,002	S	*	10/1995	Douglas	D7/543
D387,177	S	*	12/1997	Davis	D24/227
D540,122	S	*	4/2007	Wasserman et al.	D7/584
D555,419	S	*	11/2007	Reckert et al.	D7/361
D578,352	S	*	10/2008	Hauser	D7/552.2

* cited by examiner

Primary Examiner — Ricky Pham

(74) *Attorney, Agent, or Firm* — Jacobson Holman PLLC

(57) **CLAIM**

The ornamental design for the pan, as shown and described.

DESCRIPTION

FIG. 1 is front perspective view of the pan accompanying our design;

FIG. 2 is a front perspective view of the pan as shown in FIG. 1 and further showing in dashed line a handle which can be attached to either end of the pan;

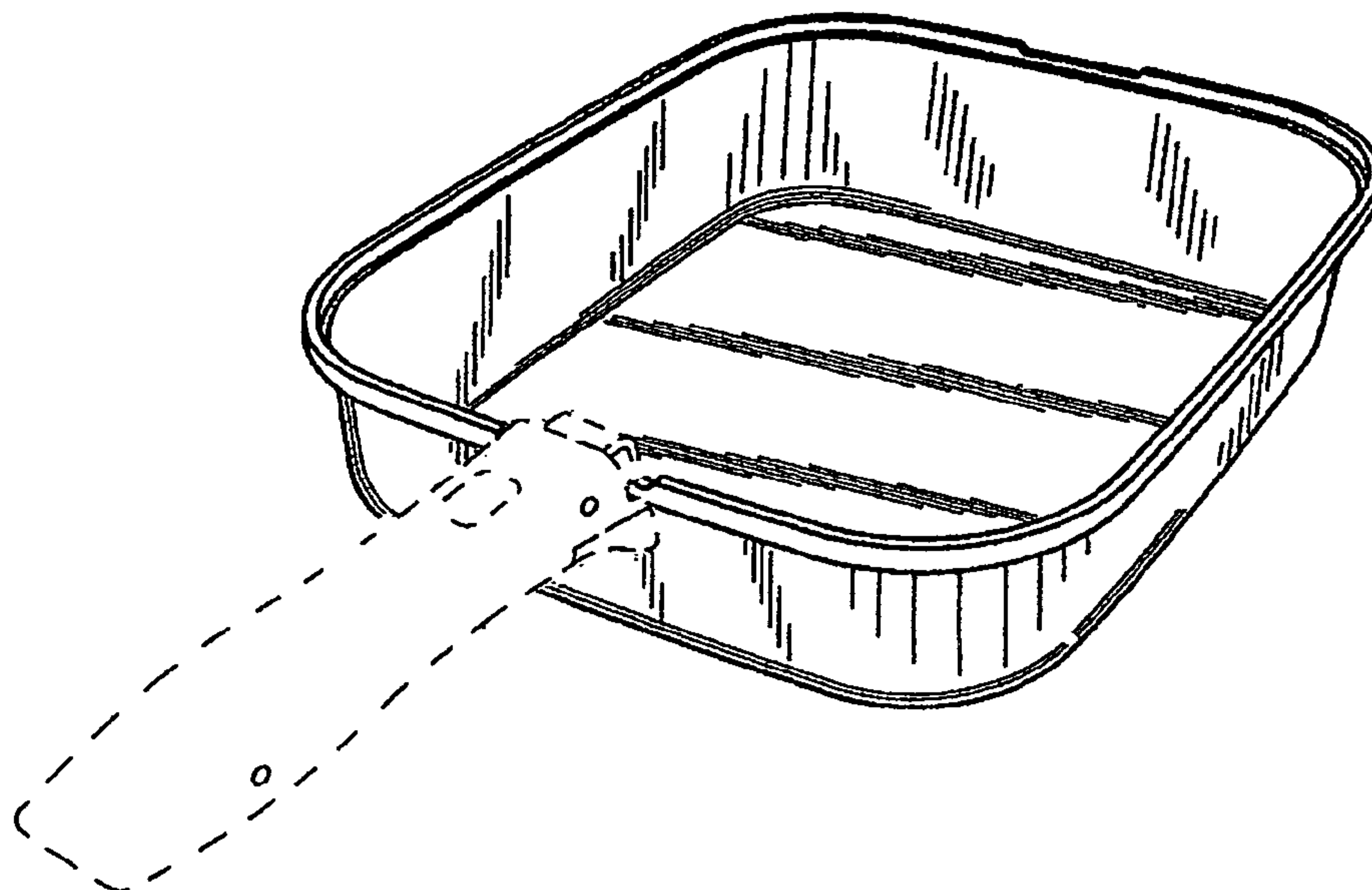
FIG. 3 is a side elevational view of the pan as shown in FIG. 1, the other side being identical;

FIG. 4 is a end elevational view of the pan as shown in FIG. 1, the other end being identical; and,

FIG. 5 is a top view of the pan shown in FIG. 1, the bottom being flat.

The dashed lines showing the handle are not part of the invention.

1 Claim, 3 Drawing Sheets



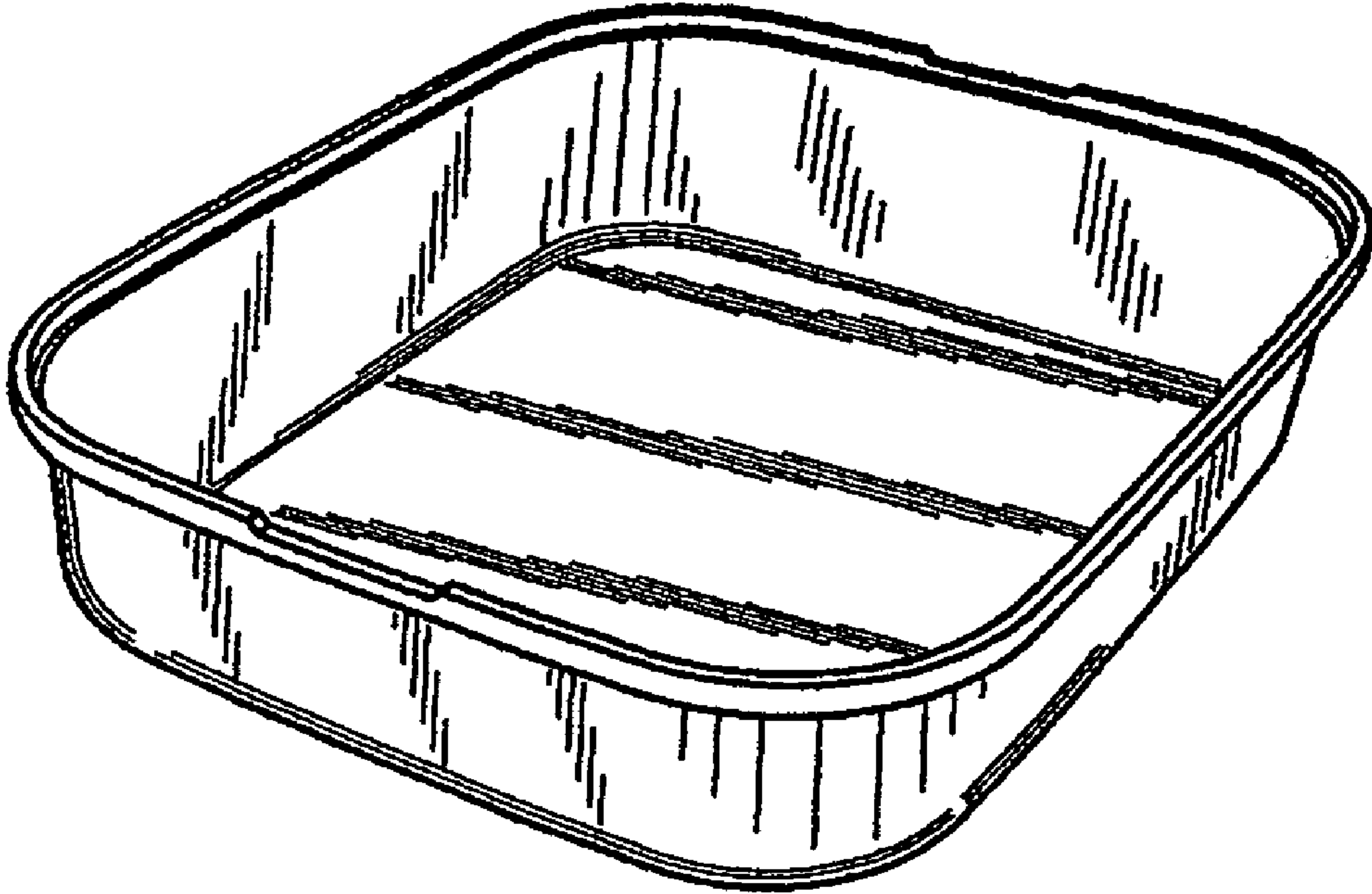


FIG 1



FIG 3

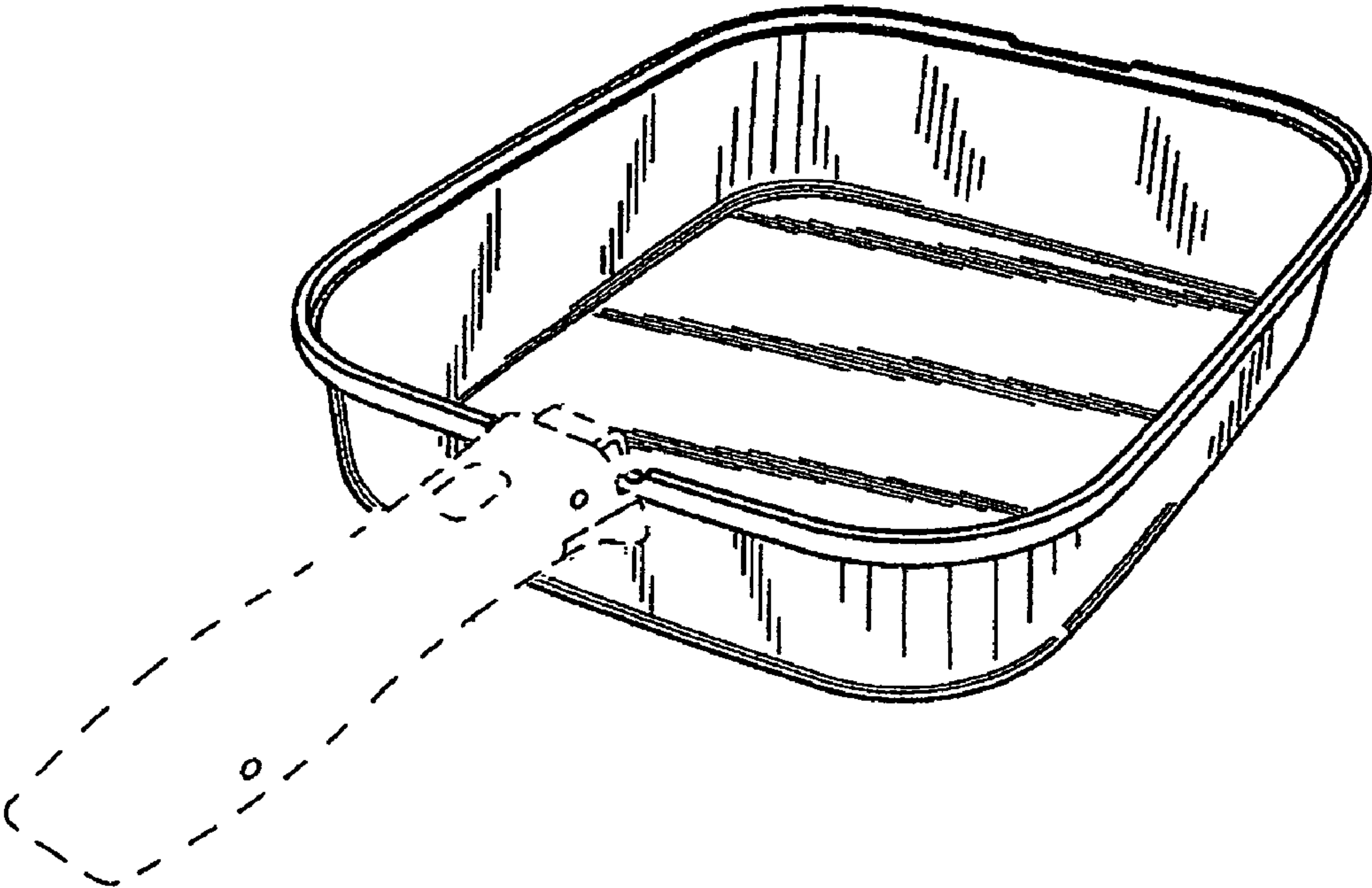


FIG 2

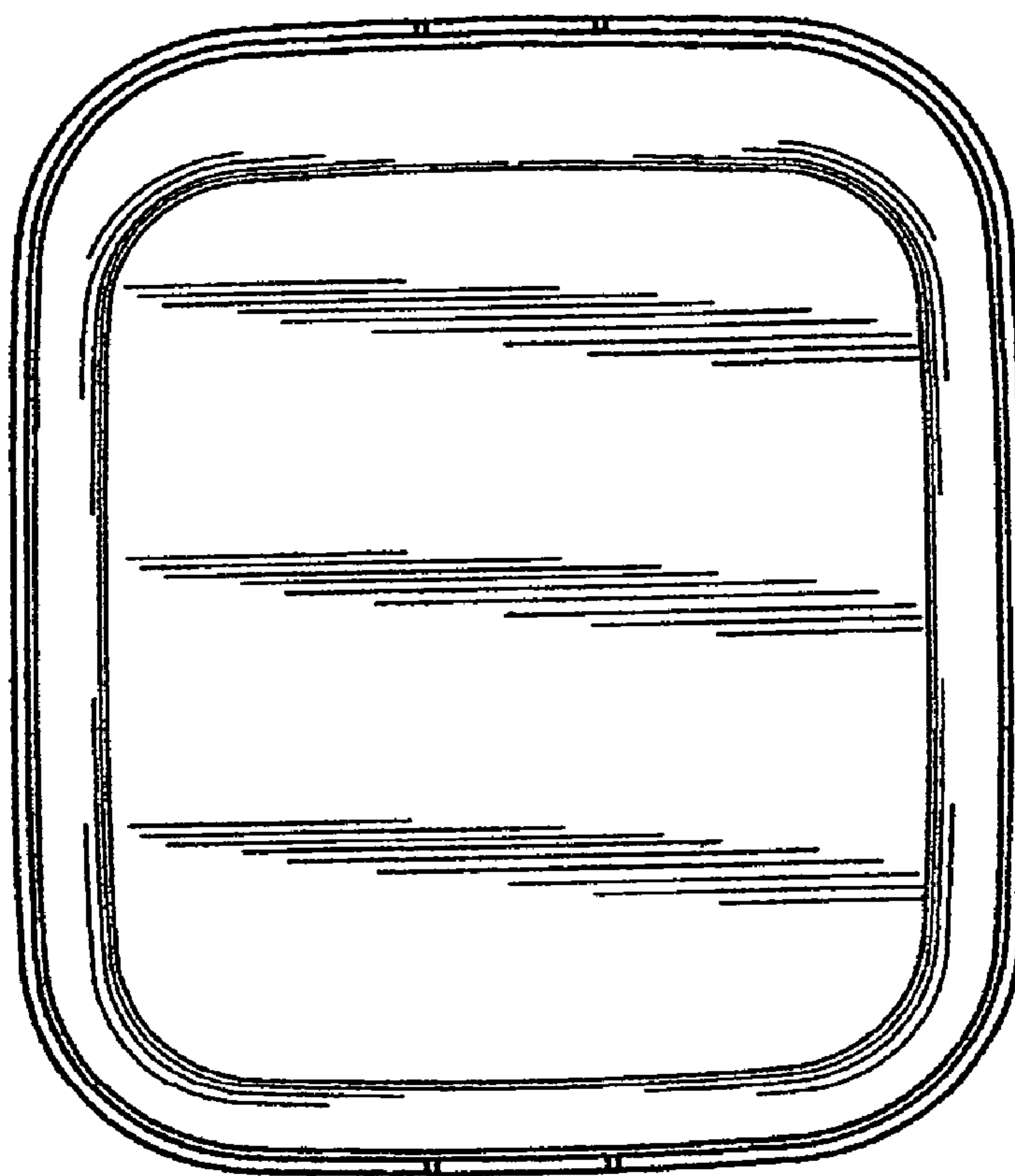


FIG 5

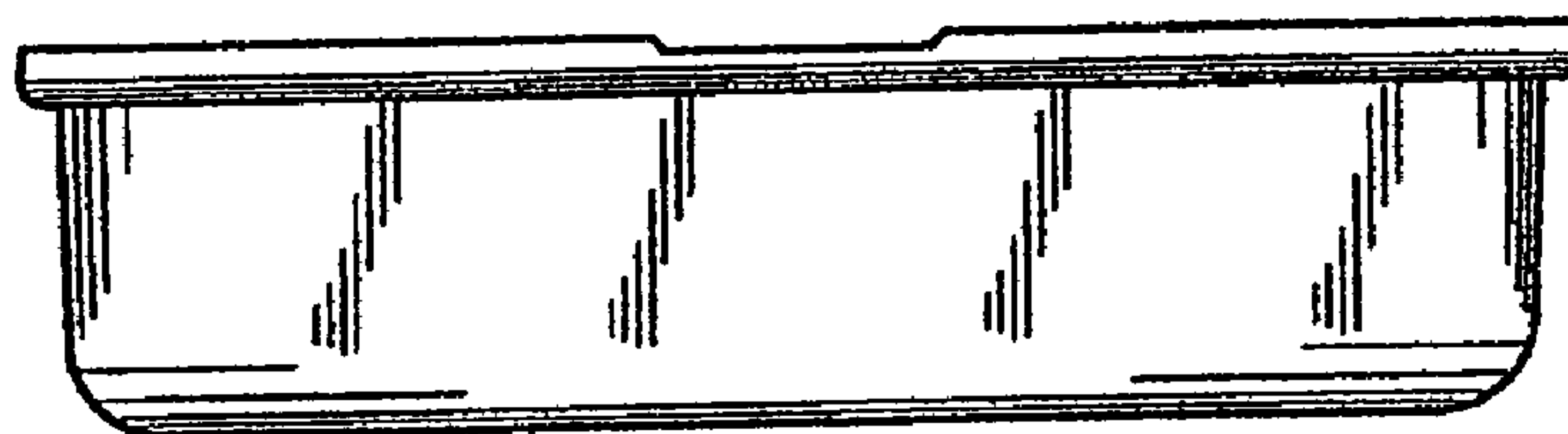


FIG 4