



US00D657990S

(12) **United States Design Patent**
Kim et al.

(10) **Patent No.:** **US D657,990 S**
(45) **Date of Patent:** **** Apr. 24, 2012**

(54) **WAFFLE IRON**

(75) Inventors: **Hyunchul Kim**, Chicago, IL (US);
Junghwan Chei, Chicago, IL (US)

(73) Assignee: **Hamilton Beach Brands, Inc**, Glen
Allen, VA (US)

(**) Term: **14 Years**

(21) Appl. No.: **29/406,002**

(22) Filed: **Nov. 9, 2011**

(51) **LOC (9) Cl.** **07-02**

(52) **U.S. Cl.** **D7/352; D7/354; D7/362**

(58) **Field of Classification Search** D7/323,
D7/329-331, 337, 339, 346-347, 350.1-350.4,
D7/353-367, 391, 393, 395, 402, 406, 538,
D7/542; 99/324-325, 331-332, 337-340,
99/369, 375, 400-418, 422, 425, 444-446,
99/483; 126/37 R, 261, 378.1; 206/501-505,
206/507-508; 219/386, 400, 405, 429-442,
219/450.1, 620-624, 725, 730-735; 220/315,
220/573.1-573.5, 912; 426/438, 441
See application file for complete search history.

(56) **References Cited**

U.S. PATENT DOCUMENTS

| | | | |
|--------------|---------|------------------|--------|
| D119,282 S | 8/1939 | Reinecke | |
| D253,218 S | 10/1979 | Johnson | |
| D299,609 S | 1/1989 | Madl | |
| D309,844 S | 8/1990 | Storberg | |
| D364,992 S | 12/1995 | Wooderson et al. | |
| D411,937 S | 7/1999 | Siegler et al. | |
| D419,823 S * | 2/2000 | Choi | D7/352 |
| D467,766 S * | 12/2002 | Wanat et al. | D7/352 |

| | | | |
|----------------|---------|---------------|--------|
| D522,306 S * | 6/2006 | Wilgus et al. | D7/337 |
| D543,410 S * | 5/2007 | Cohen et al. | D7/352 |
| D580,699 S | 11/2008 | Averty | |
| D602,732 S * | 10/2009 | Busse et al. | D7/352 |
| 7,752,958 B2 * | 7/2010 | Cohen et al. | 99/375 |
| D630,883 S * | 1/2011 | Pang et al. | D7/352 |
| D642,008 S * | 7/2011 | Lavy et al. | D7/352 |
| D642,420 S * | 8/2011 | Lavy et al. | D7/352 |
| D643,673 S * | 8/2011 | Lavy et al. | D7/352 |
| D643,676 S * | 8/2011 | Lavy et al. | D7/364 |
| D643,677 S * | 8/2011 | Lavy et al. | D7/364 |
| D643,678 S * | 8/2011 | Lavy et al. | D7/364 |

* cited by examiner

Primary Examiner — Ricky Pham

(74) *Attorney, Agent, or Firm* — Alexander D. Raring

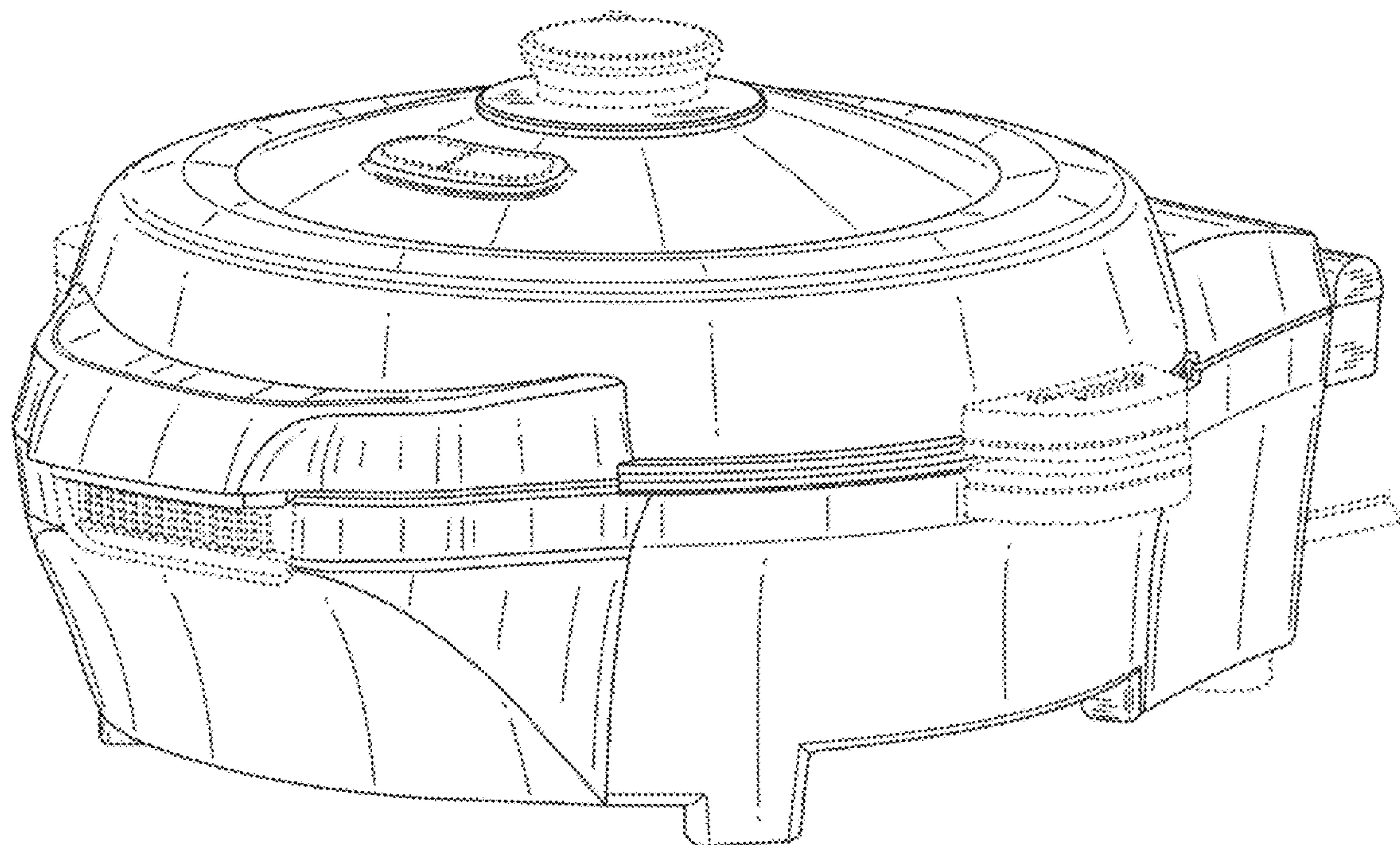
(57) **CLAIM**

The ornamental design for a waffle iron, as shown and described.

DESCRIPTION

FIG. 1 is a perspective view as seen from the top, front and right side of a waffle iron showing the new design; FIG. 2 is a front view thereof; FIG. 3 is a rear view thereof; FIG. 4 is a left side view thereof; FIG. 5 is a right side view thereof; FIG. 6 is a top view thereof; FIG. 7 is a bottom view thereof; and, FIG. 8 is a perspective view as seen from the bottom, rear, and right side thereof. The broken lines shown are included for the purpose of illustrating the unclaimed portions of the article and form no part of the claimed design.

1 Claim, 8 Drawing Sheets



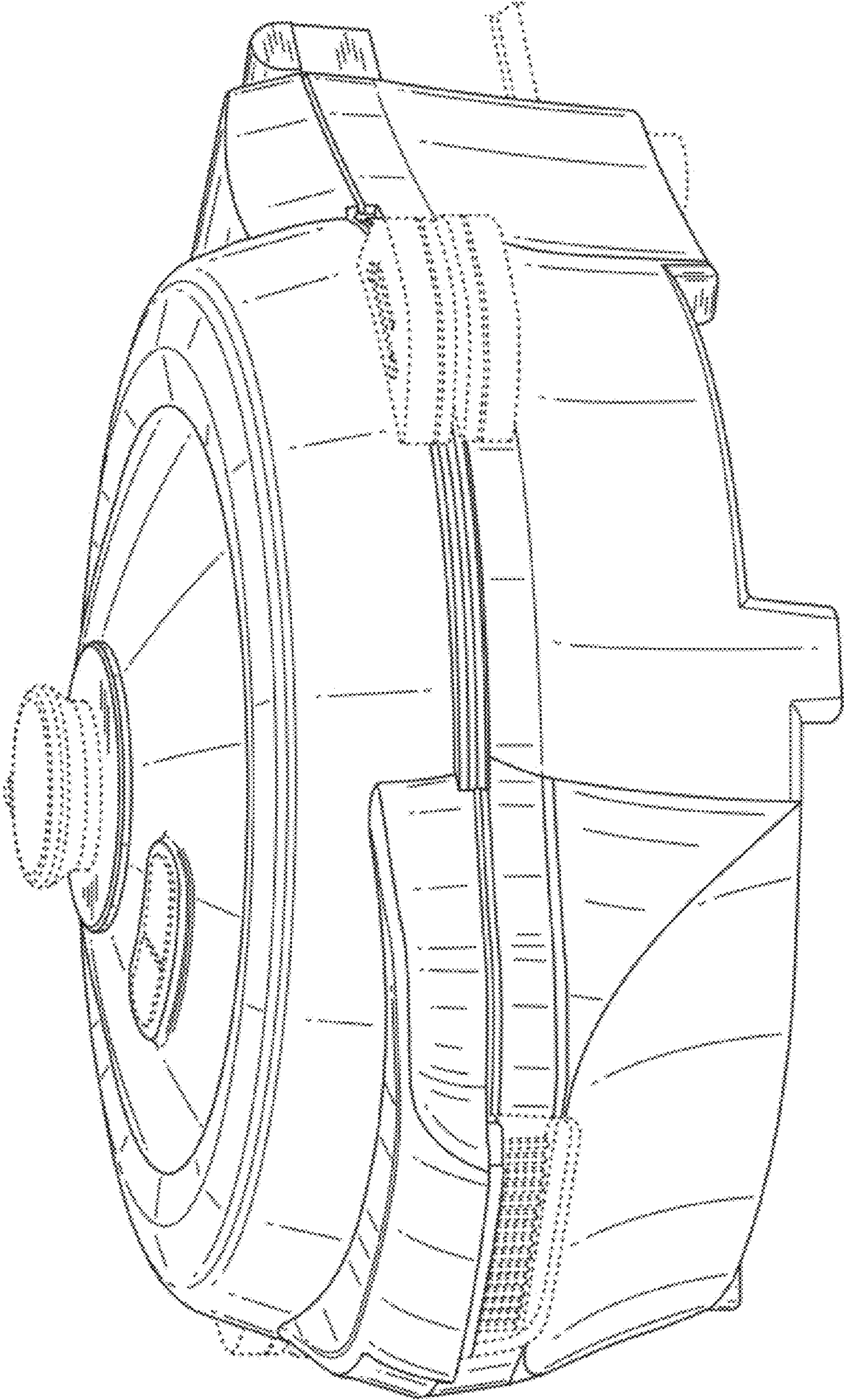


FIG. 1

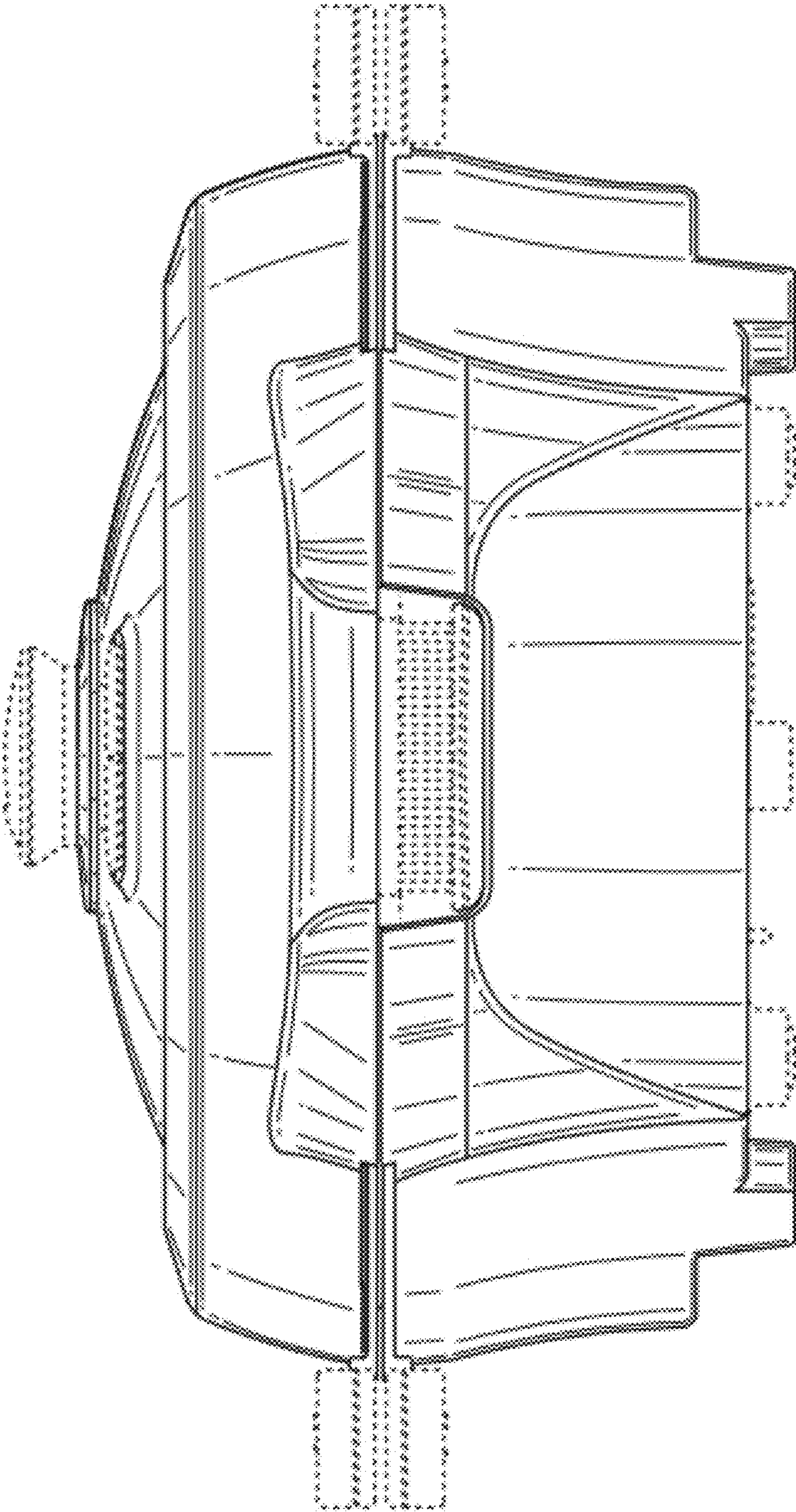


FIG. 2

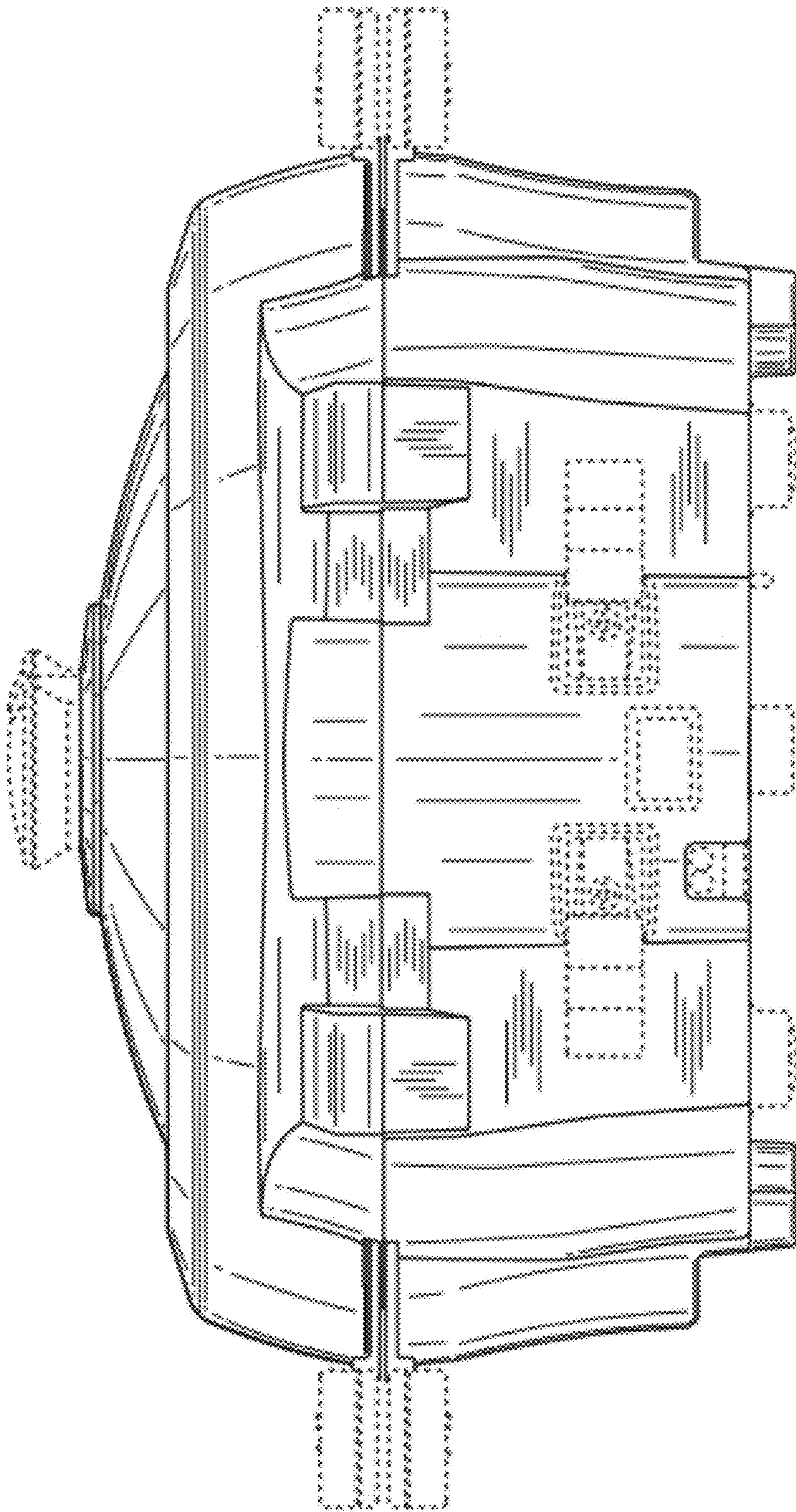


FIG. 3

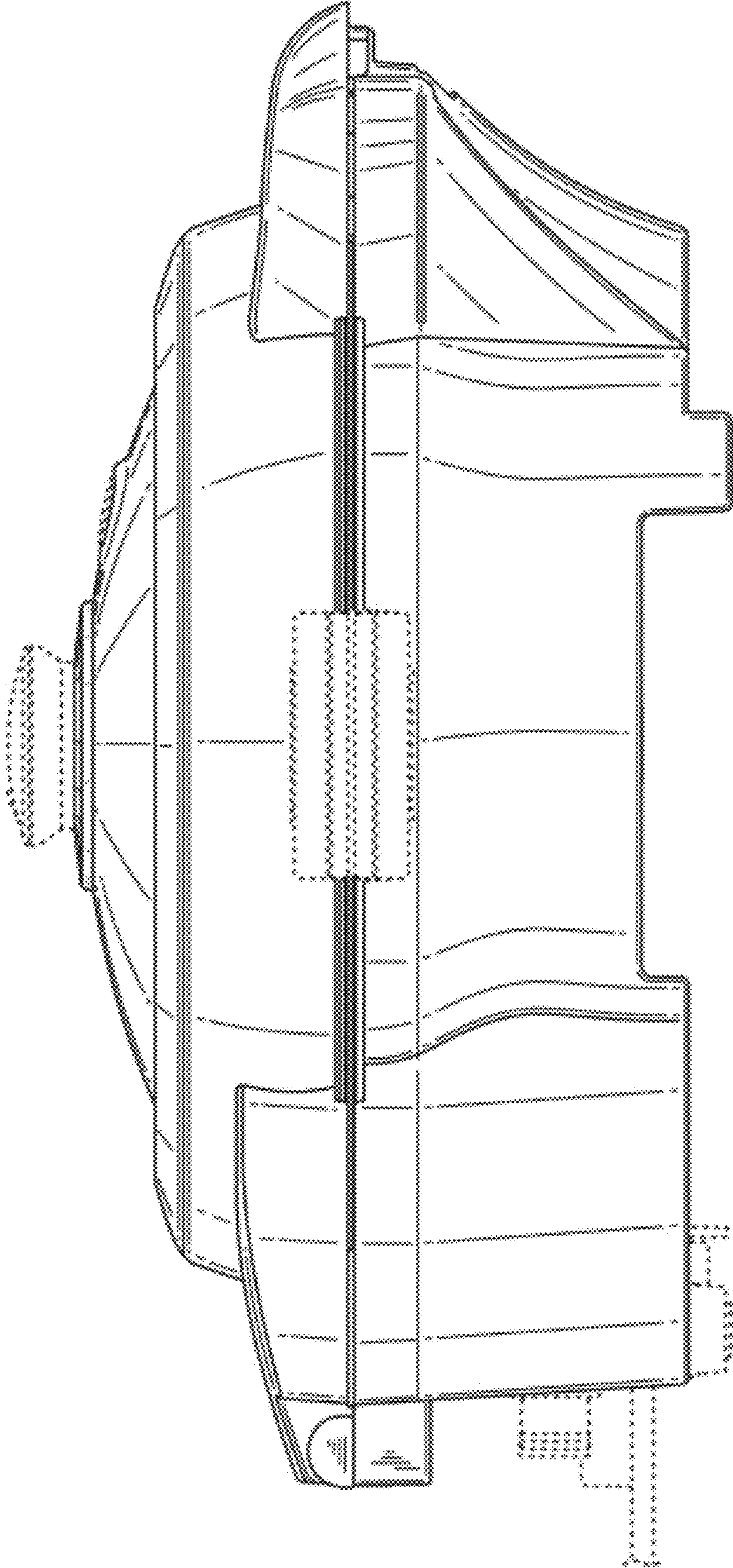


FIG. 4

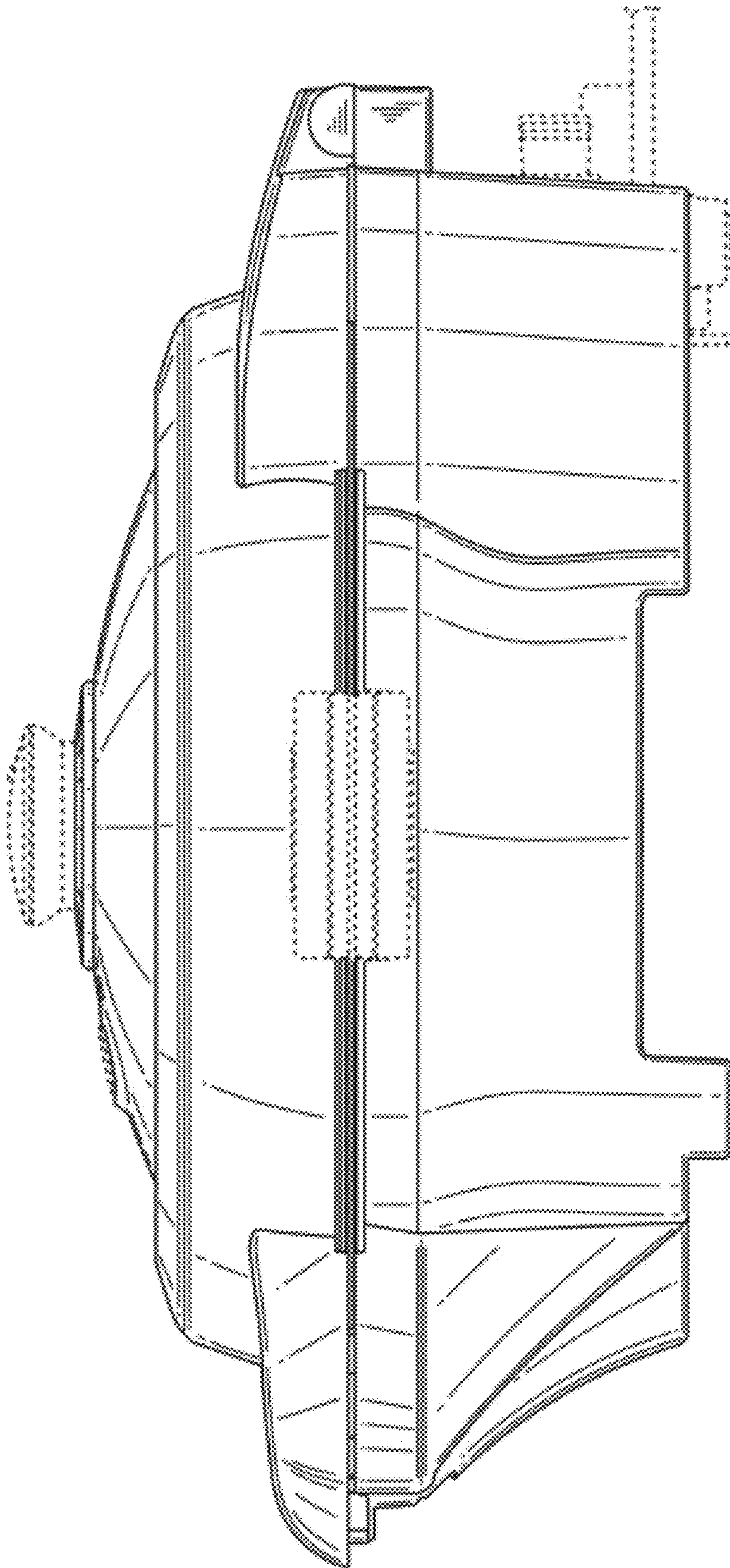


FIG. 5

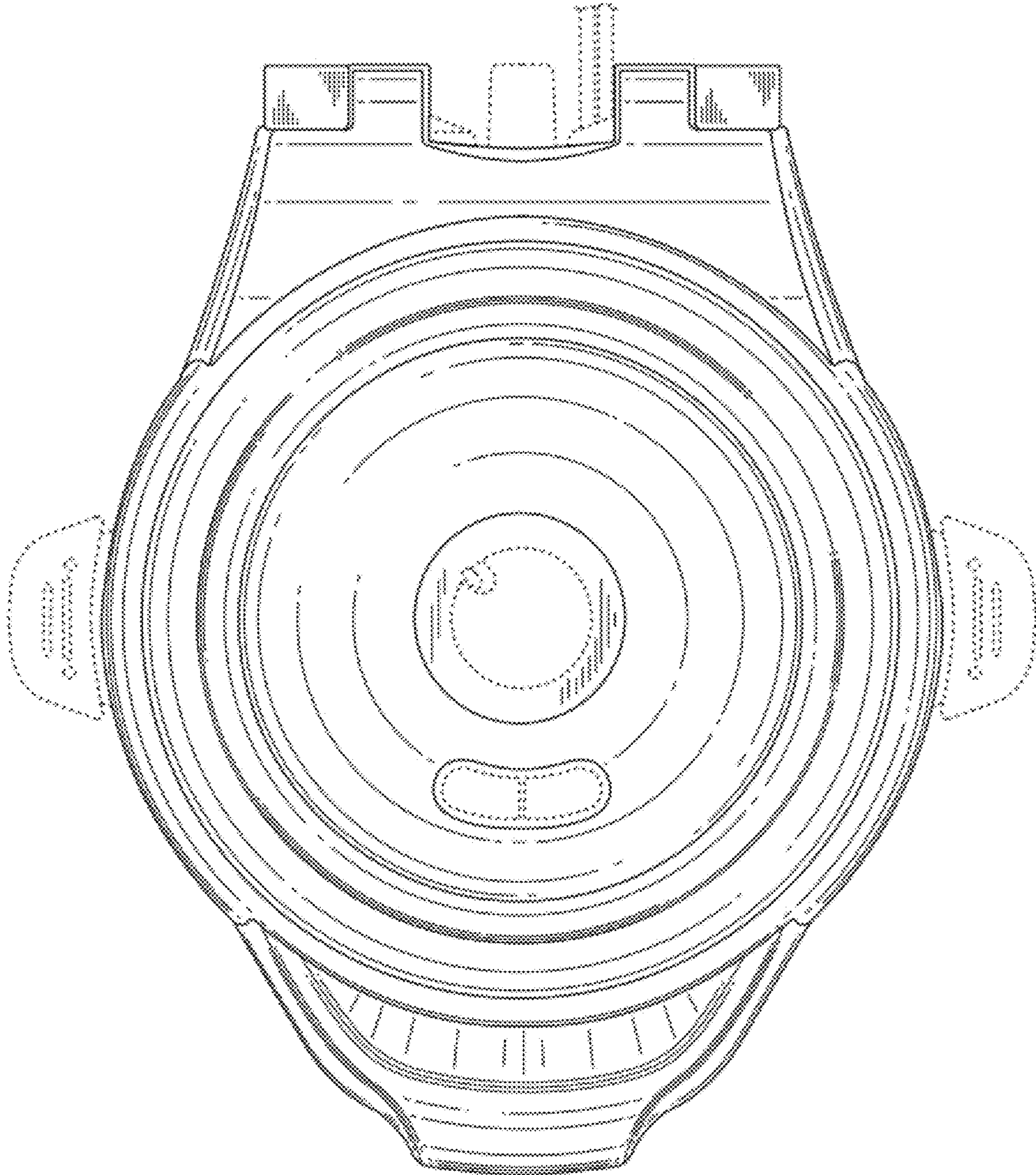


FIG. 6

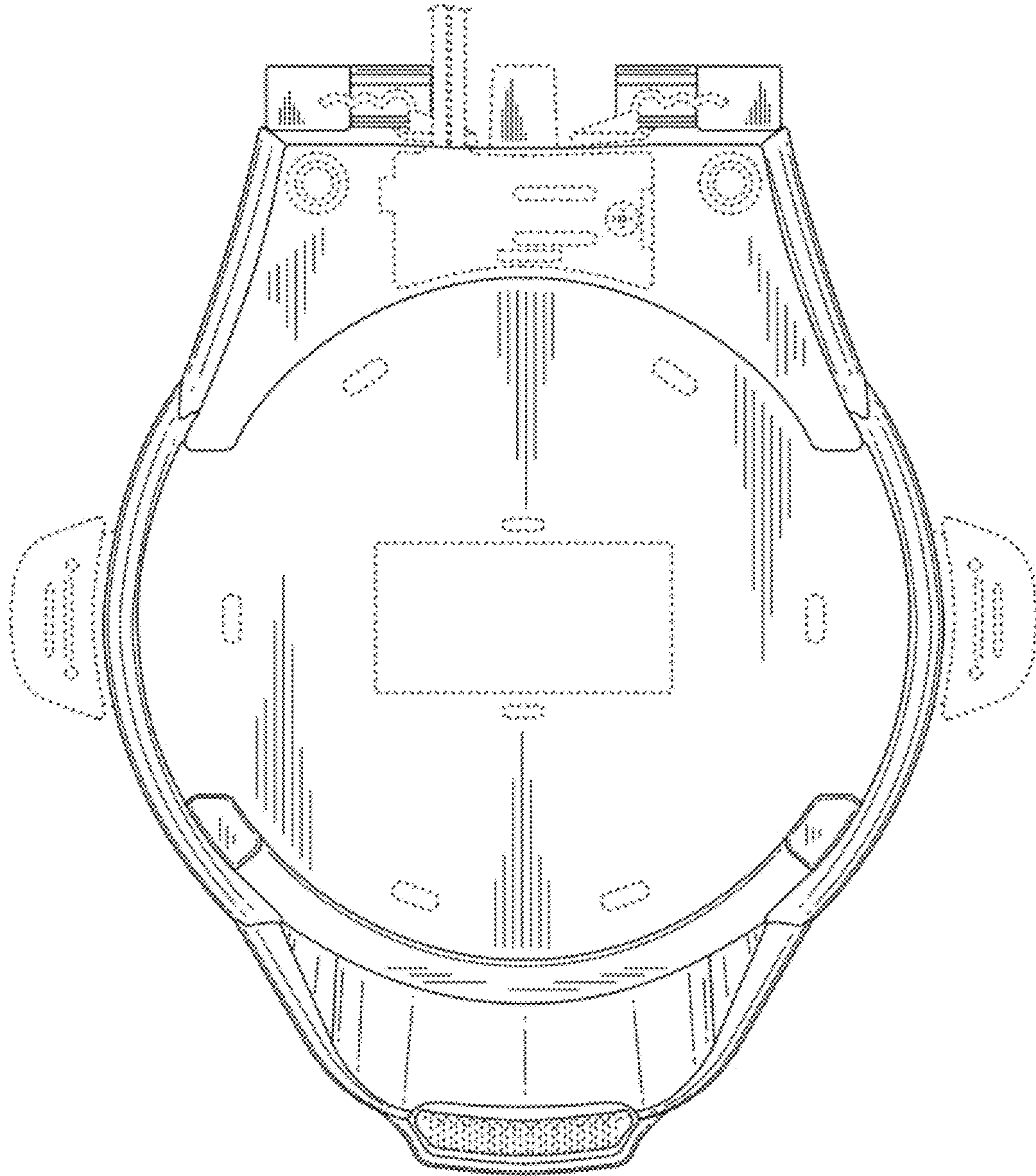


FIG. 7

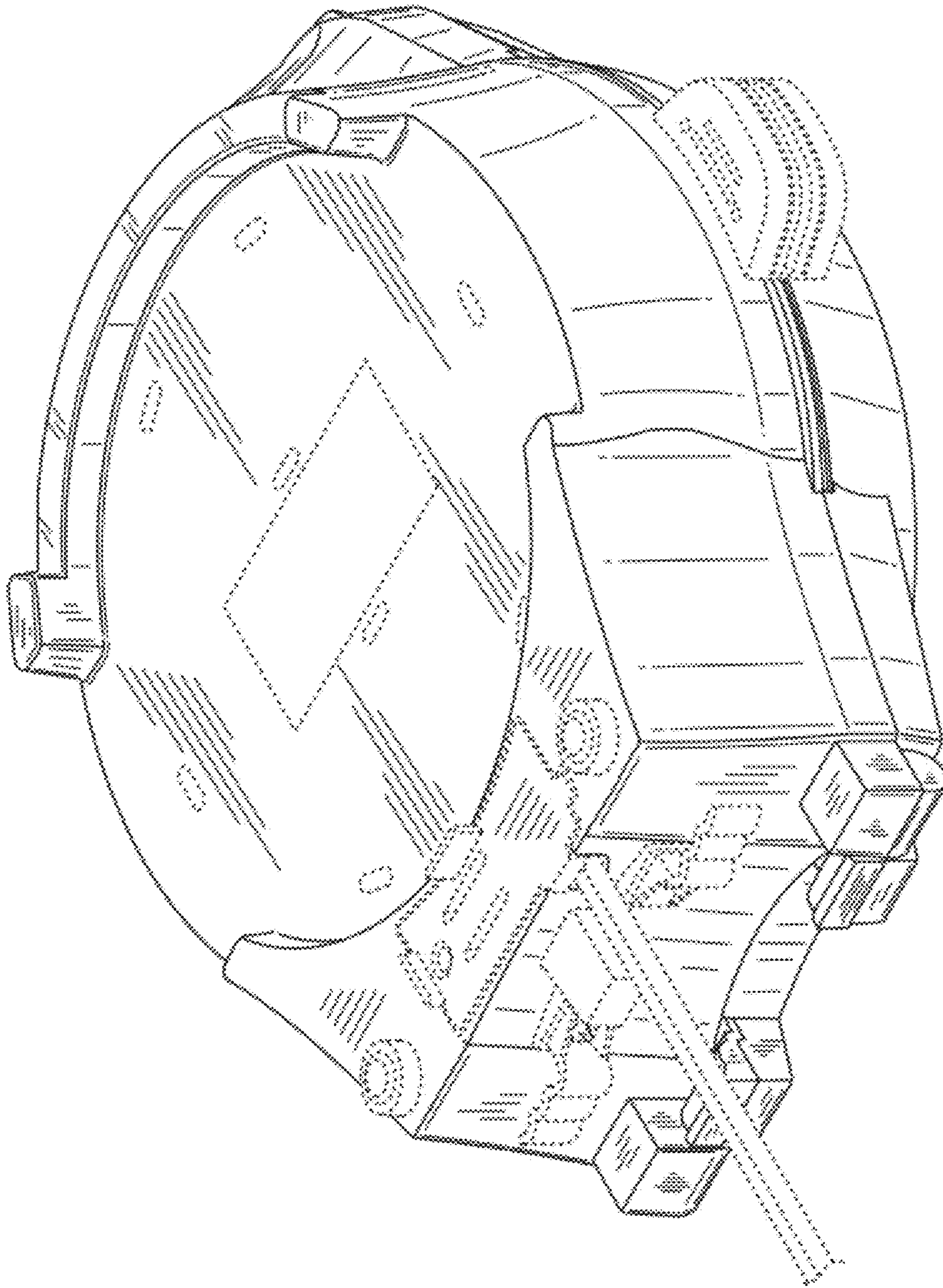


FIG. 8