



US00D657988S

(12) **United States Design Patent**
Chung

(10) **Patent No.:** **US D657,988 S**

(45) **Date of Patent:** **** Apr. 24, 2012**

(54) **BARBECUE GRILL**

(76) Inventor: **Kiosky Chung**, Taichung (TW)

(**) Term: **14 Years**

(21) Appl. No.: **29/384,345**

(22) Filed: **Jan. 30, 2011**

(51) **LOC (9) Cl.** **07-02**

(52) **U.S. Cl.** **D7/337**

(58) **Field of Classification Search** D7/332,
D7/334-337, 402-406; 126/25 R, 9 R, 41 R,
126/40, 50, 29, 25 A, 25 AA, 26; 99/446,
99/447, 450, 482, 339, 340

See application file for complete search history.

(56) **References Cited**

U.S. PATENT DOCUMENTS

D464,844 S *	10/2002	Pai	D7/337
D511,433 S *	11/2005	Zhang	D7/337
D549,036 S *	8/2007	Chung	D7/337
D549,038 S *	8/2007	Chung	D7/337
D600,494 S *	9/2009	Chung	D7/337
D600,969 S *	9/2009	Chung	D7/337

D600,970 S *	9/2009	Chung	D7/337
D610,861 S *	3/2010	Chung	D7/337
D611,290 S *	3/2010	Chung	D7/337
D630,464 S *	1/2011	Chung	D7/337
D630,465 S *	1/2011	Chung	D7/337
D631,685 S *	2/2011	Tiller et al.	D7/337

* cited by examiner

Primary Examiner — Ruth McInroy

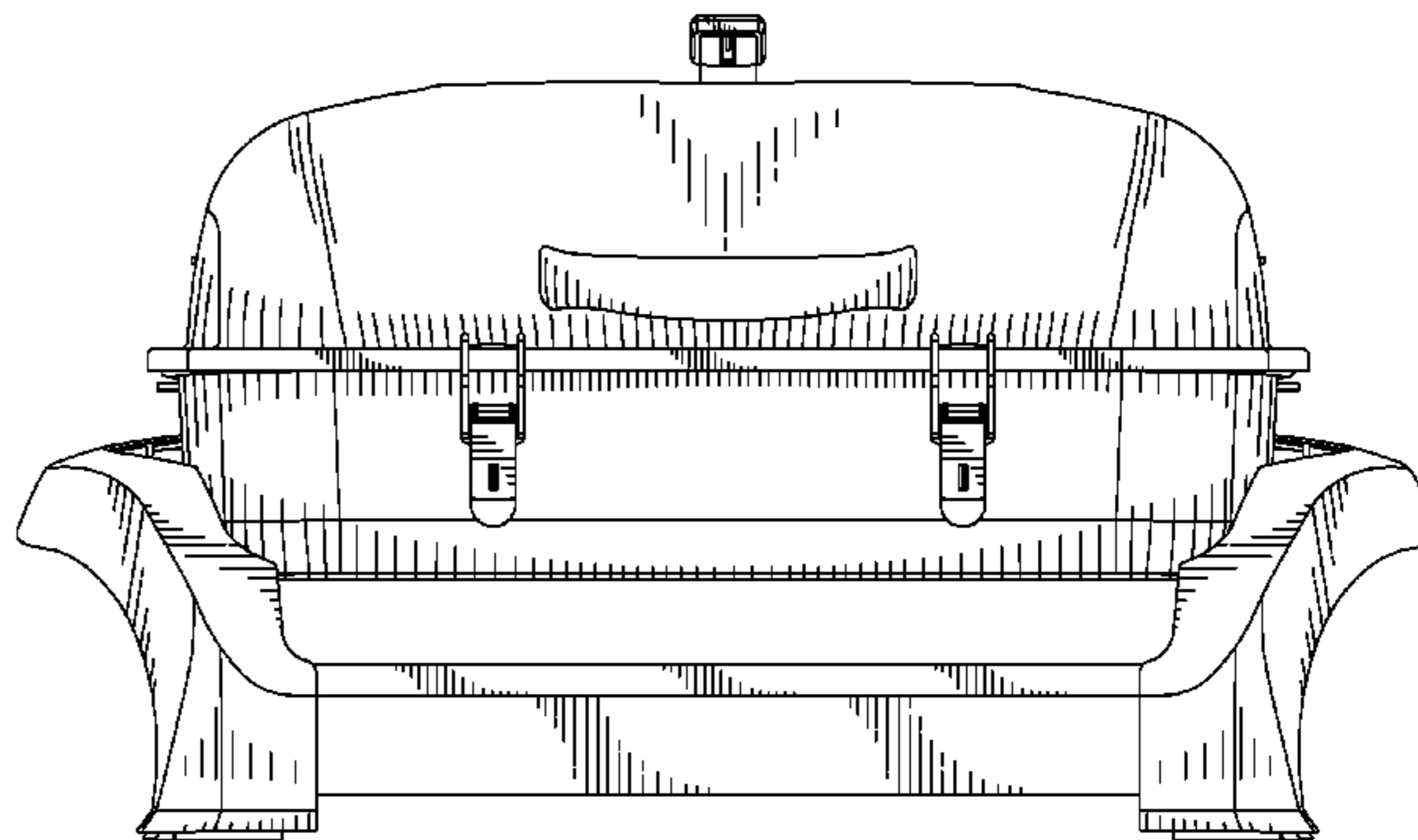
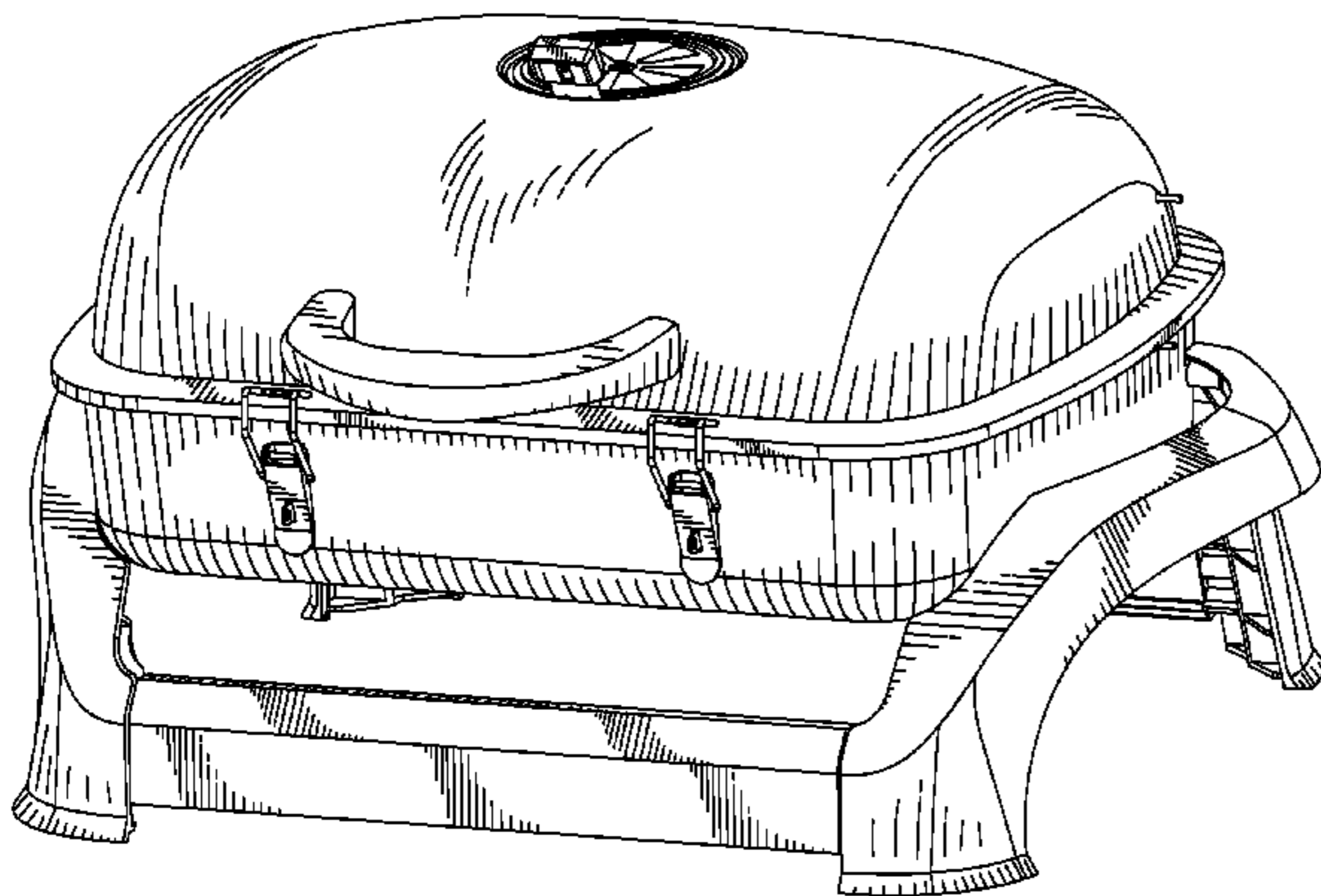
(57) **CLAIM**

I claim the ornamental design for a barbecue grill, as shown and described.

DESCRIPTION

FIG. 1 is a perspective view of a barbecue grill, showing my new design;
FIG. 2 is a front elevational view thereof;
FIG. 3 is a rear elevational view thereof;
FIG. 4 is a left side elevational view thereof;
FIG. 5 is a right side elevational view thereof;
FIG. 6 is a top plan view thereof; and,
FIG. 7 is a bottom plan view thereof.

1 Claim, 7 Drawing Sheets



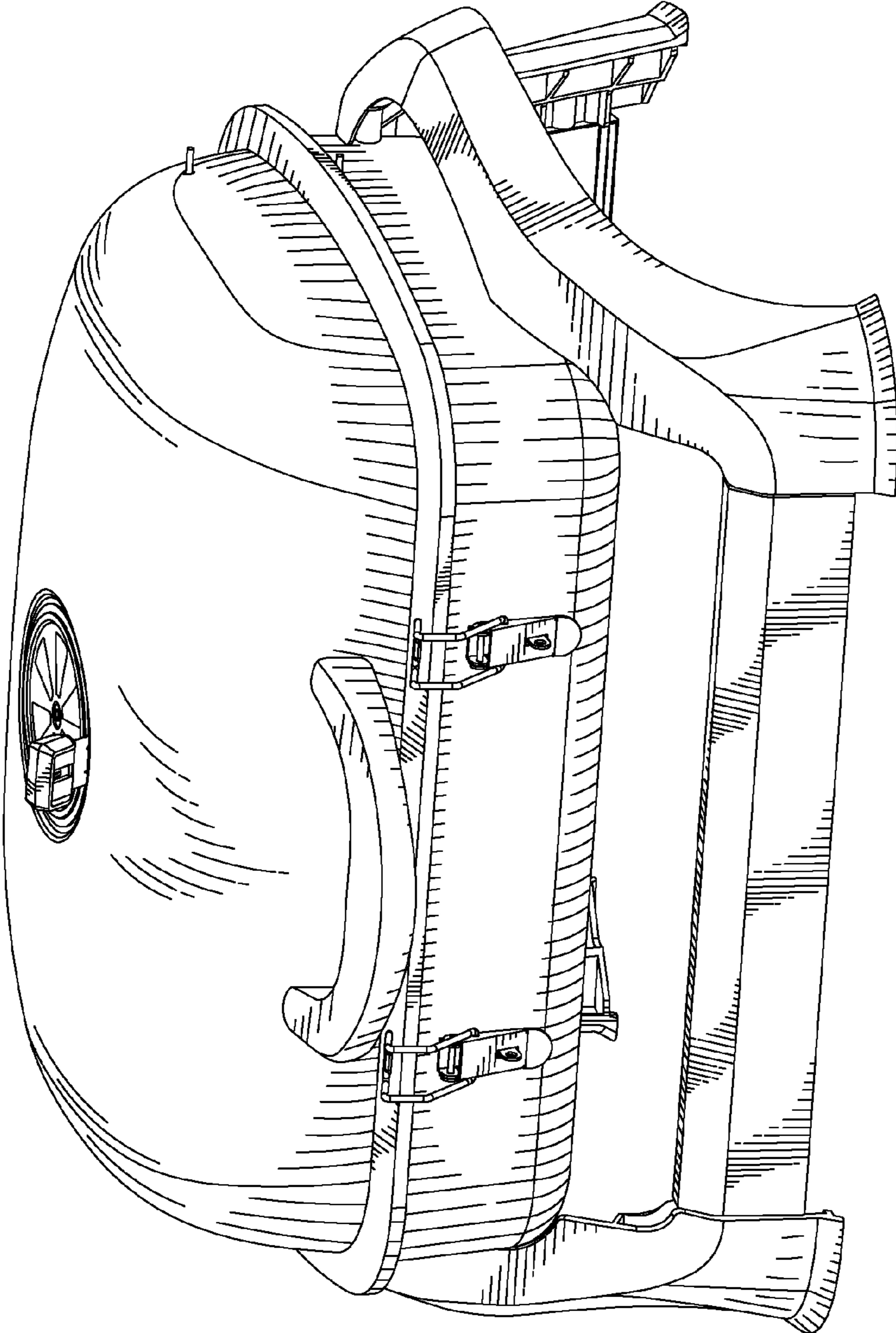


FIG. 1

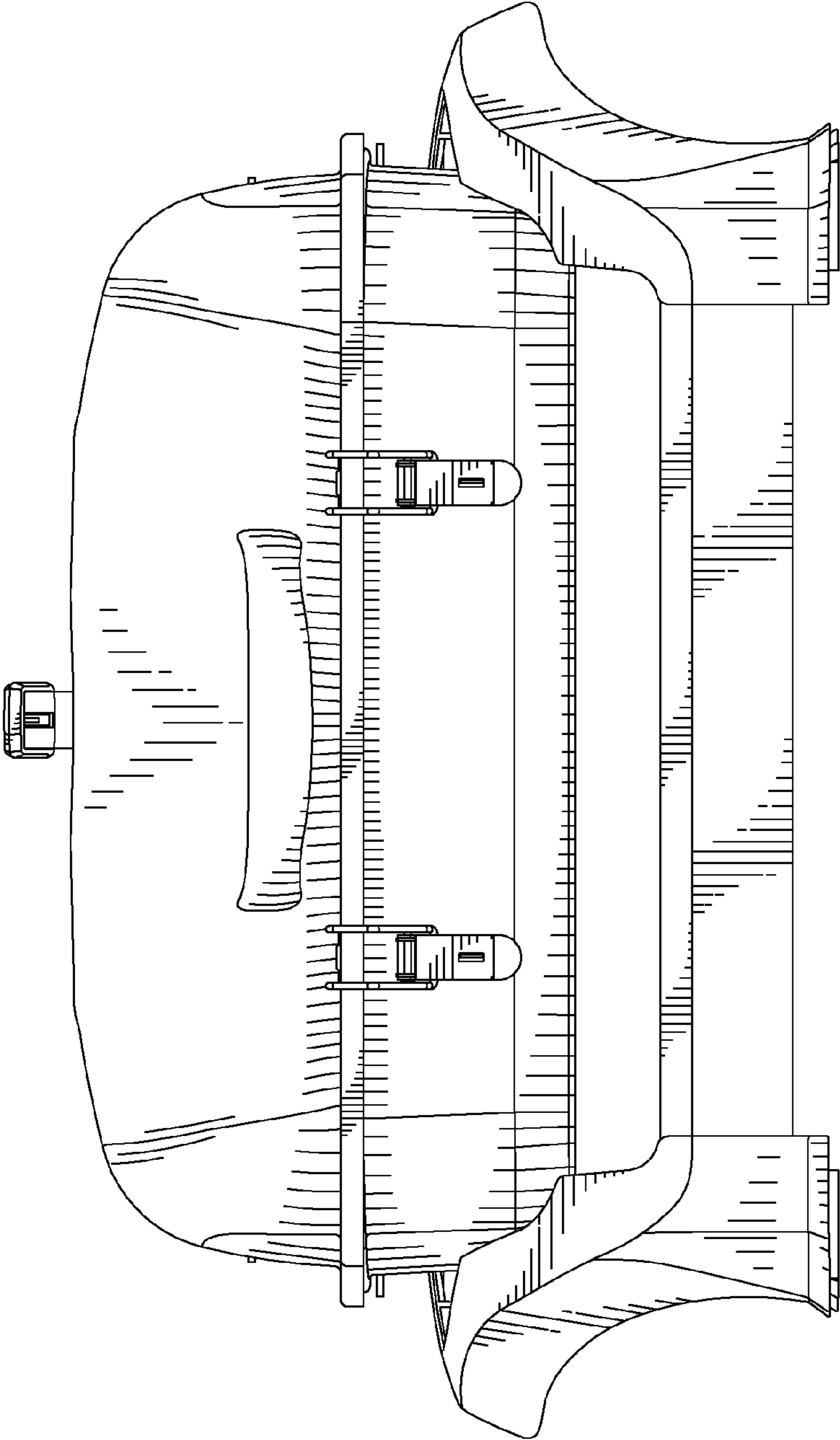


FIG. 2

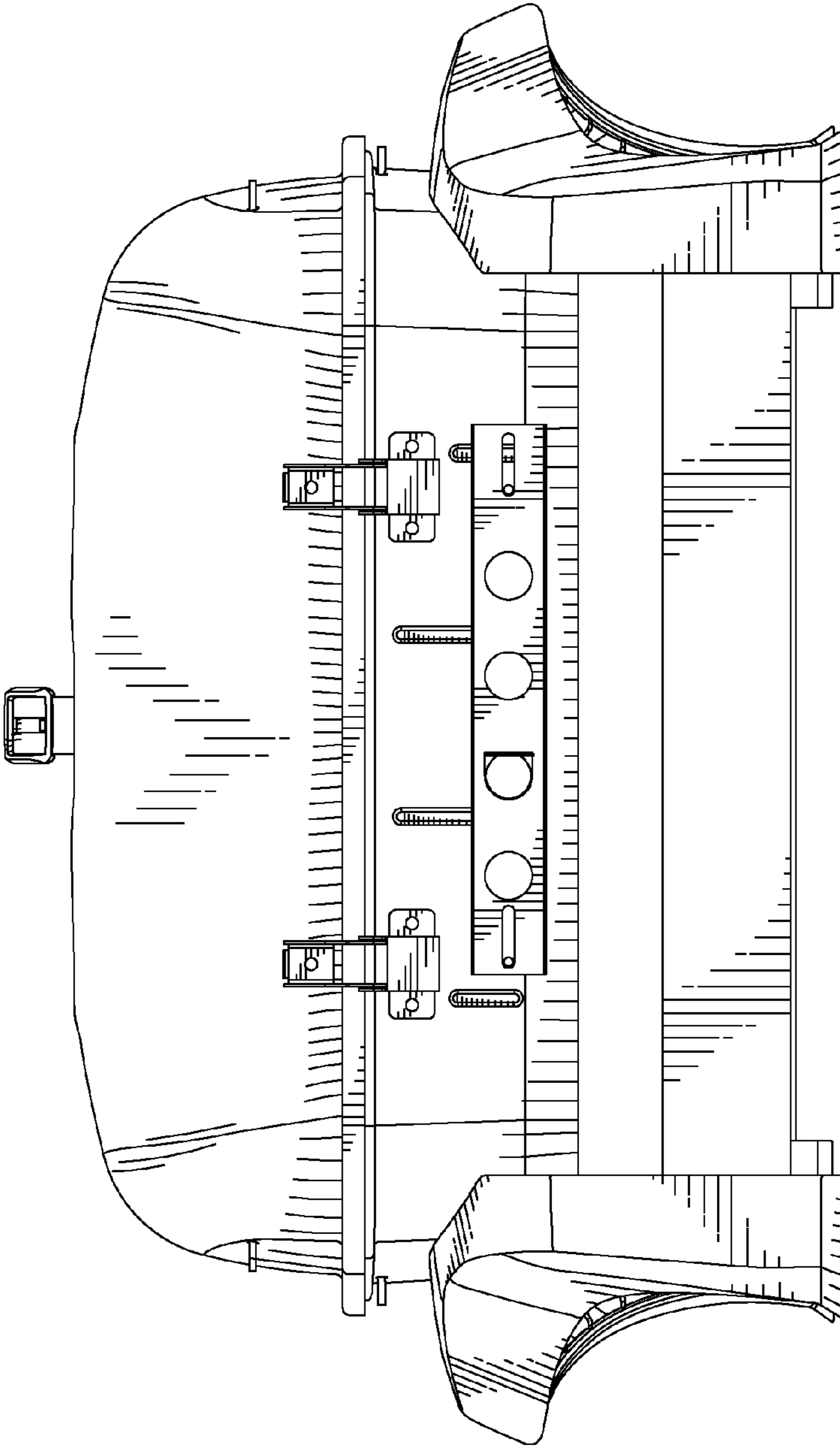


FIG. 3

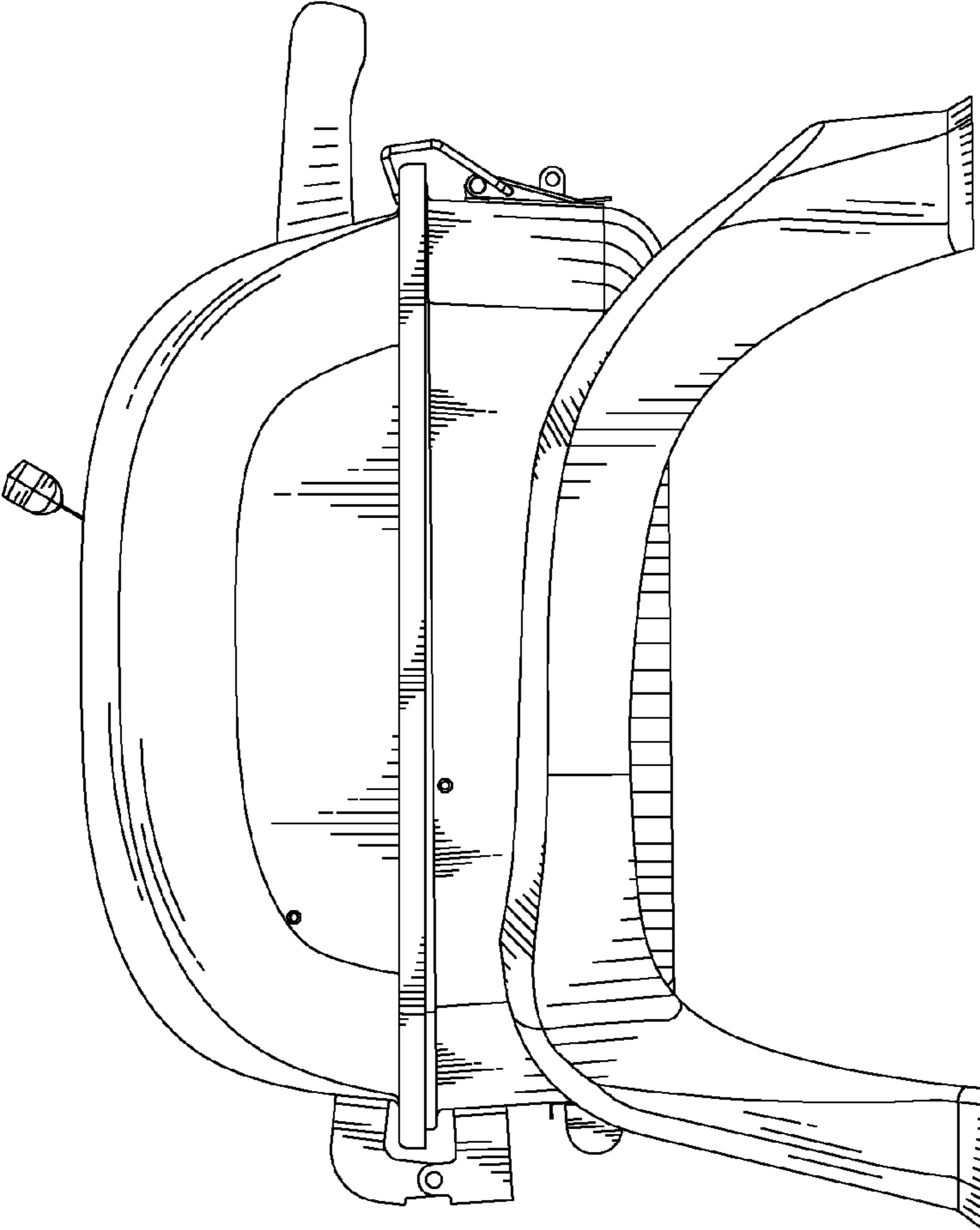


FIG. 4

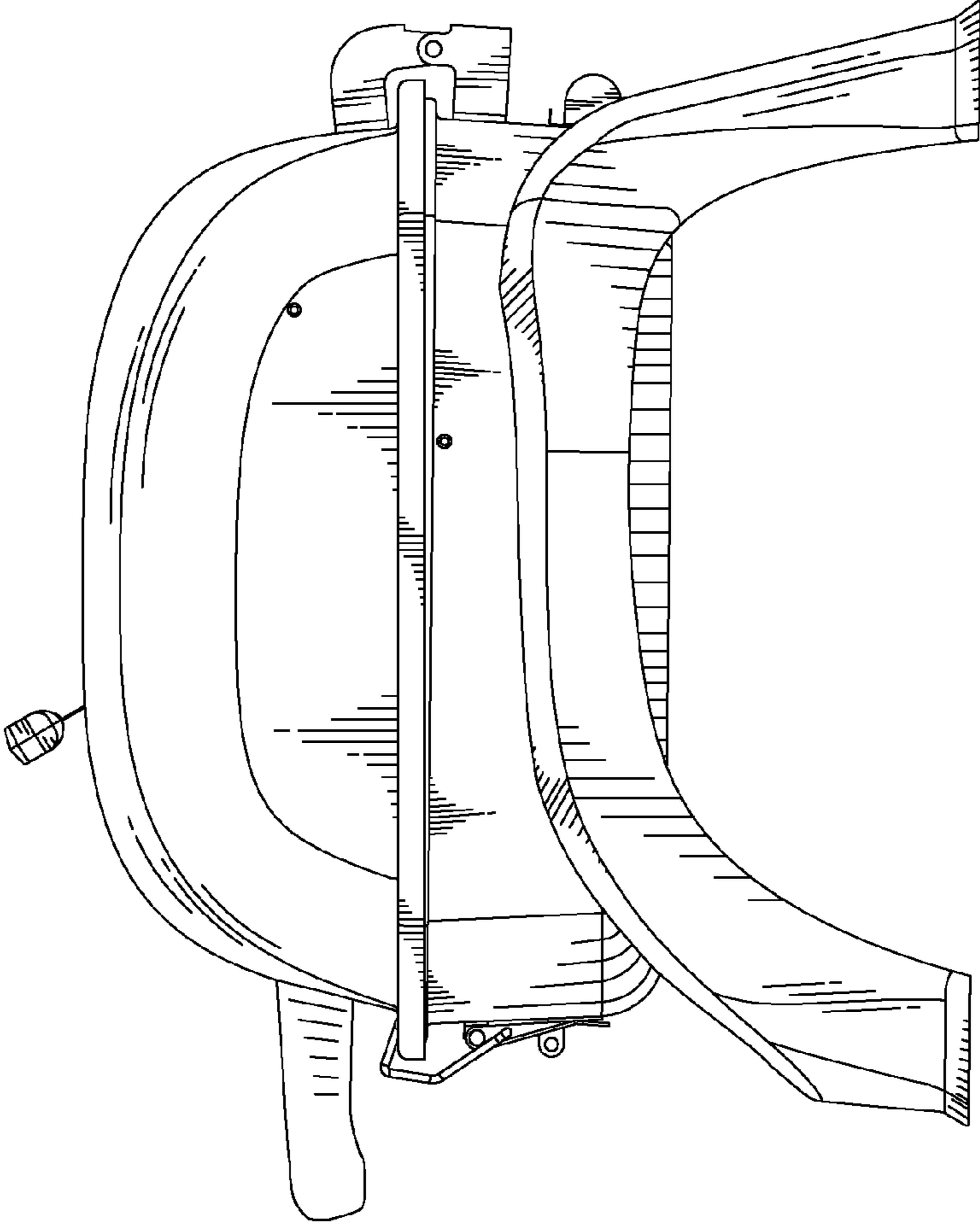


FIG. 5

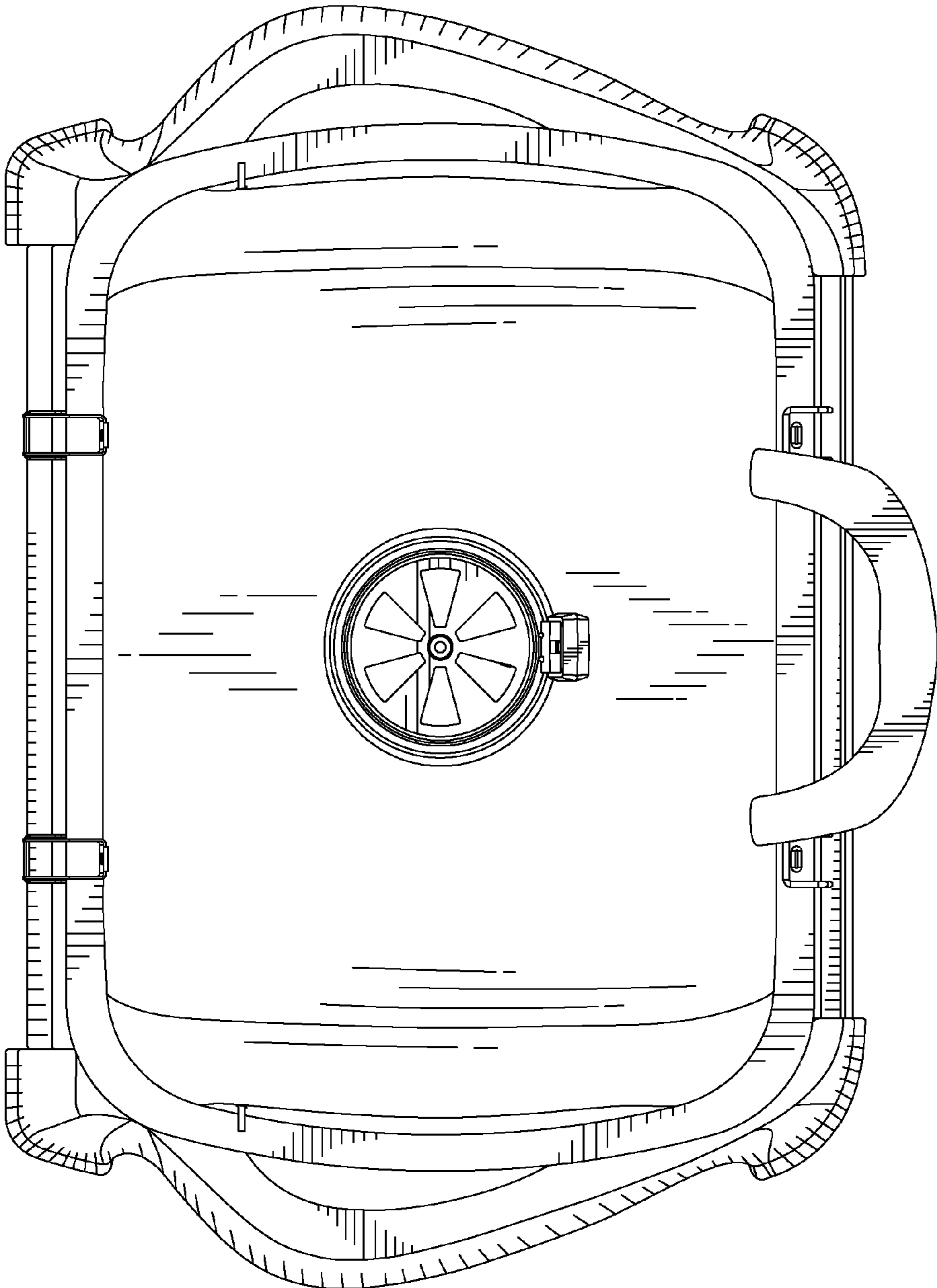


FIG. 6

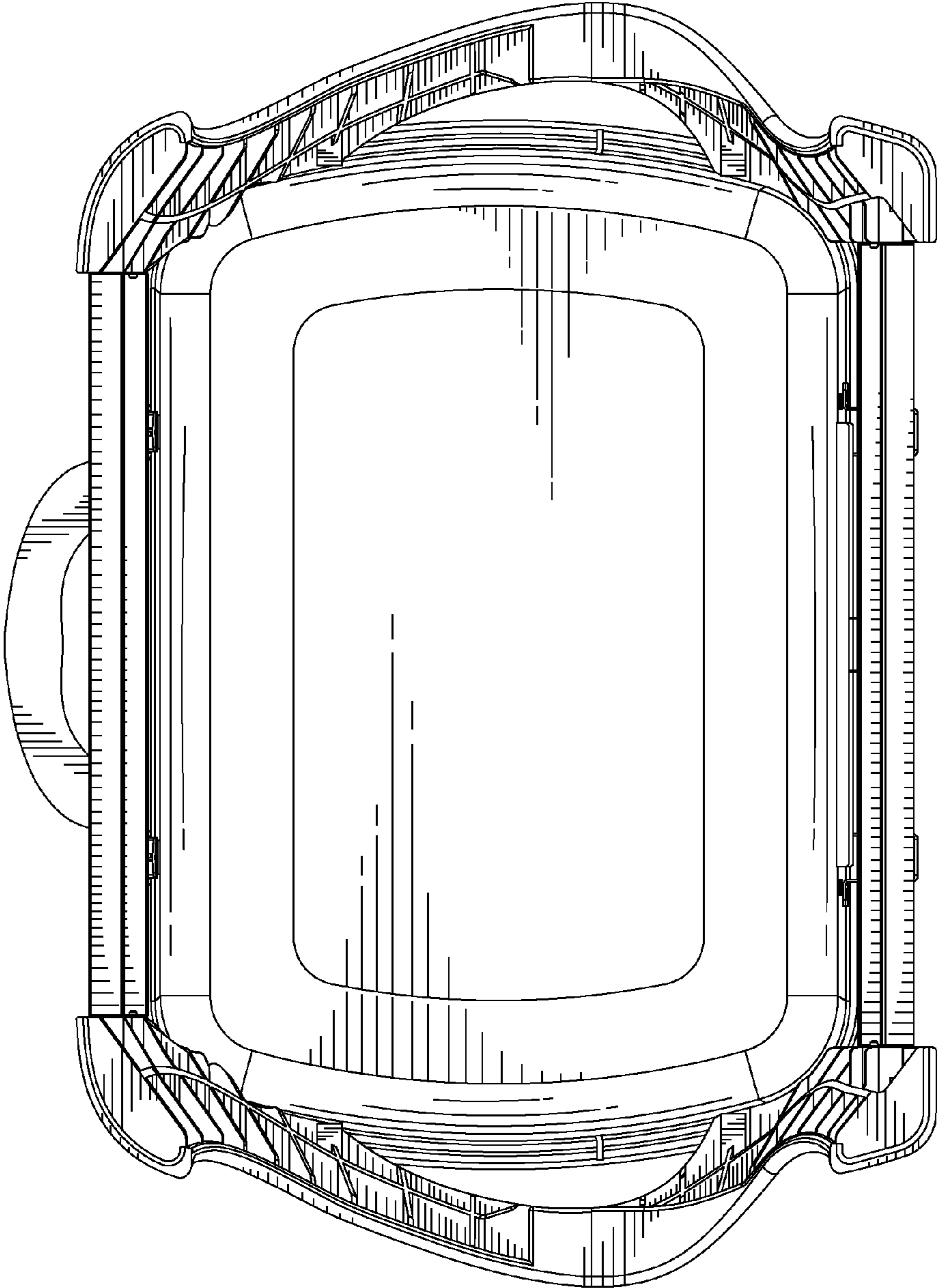


FIG. 7