



US00D657987S

(12) **United States Design Patent**  
**Lane**

(10) **Patent No.:** **US D657,987 S**  
(45) **Date of Patent:** **\*\* Apr. 24, 2012**

(54) **COLLAPSIBLE, FASTENABLE YOGA MAT**

(76) Inventor: **Ryon Lane**, Washington, DC (US)

(\*\*) Term: **14 Years**

(21) Appl. No.: **29/390,753**

(22) Filed: **Apr. 28, 2011**

(51) **LOC (9) Cl.** ..... **06-11**

(52) **U.S. Cl.** ..... **D6/582**

(58) **Field of Classification Search** ..... D6/582,  
D6/583, 588, 591, 592, 594, 602, 608, 617,  
D6/619; D5/5, 7, 20, 30, 37, 49, 56, 58,  
D5/59, 60, 63, 64, 66; D19/5; D24/124-126;  
4/581; 5/490, 495; 15/208, 209.1, 215; 112/401,  
112/402; 139/383 B, 383 R, 420 R; 162/108,  
162/109, 134; 428/32, 39, 49, 66.5, 187,  
428/542.2, 542.6

See application file for complete search history.

(56) **References Cited**

**U.S. PATENT DOCUMENTS**

1,222,563	A *	4/1917	Rosenberg	.....	5/419
1,237,243	A *	8/1917	Conner	.....	5/420
3,268,922	A *	8/1966	Moxley	.....	5/420
4,329,747	A *	5/1982	Russell	.....	5/420
5,010,610	A	4/1991	Ackley		
5,173,346	A *	12/1992	Middleton	.....	428/53
5,291,625	A *	3/1994	Leslie	.....	5/420
5,361,435	A *	11/1994	Reeves	.....	5/419
5,437,401	A *	8/1995	Seltzer	.....	224/578
6,094,759	A *	8/2000	Thompson	.....	5/420
D478,455	S *	8/2003	Papazian	.....	D6/608
D479,938	S	9/2003	Quirk et al.		
6,640,359	B1	11/2003	Alane		
6,751,816	B1	6/2004	Wechsler		
6,802,092	B1	10/2004	Klein		
6,889,882	B1 *	5/2005	Leep	.....	224/579

6,920,655	B2	7/2005	Mitchell		
7,007,322	B2	3/2006	Alane		
7,461,894	B2 *	12/2008	Leeds	.....	297/229
D589,289	S *	3/2009	Laure	.....	D6/582
7,614,100	B1 *	11/2009	Barrington et al.	.....	5/420

(Continued)

*Primary Examiner* — Karen S Acker

(74) *Attorney, Agent, or Firm* — QuickPatents, Inc.; Kevin Prince

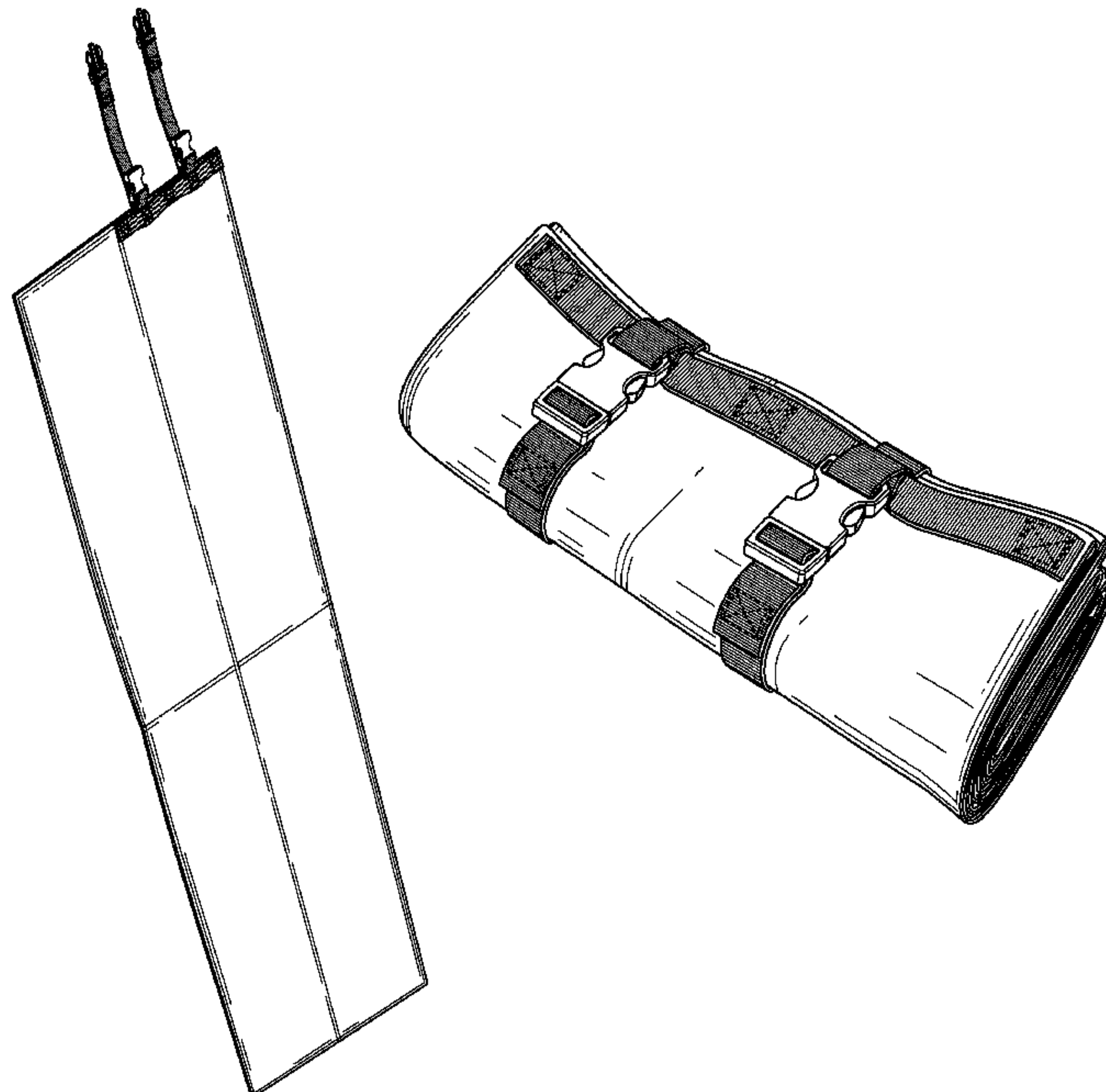
(57) **CLAIM**

I claim the ornamental design for a collapsible, fastenable yoga mat, as shown and described.

**DESCRIPTION**

FIG. 1 is a perspective view of a collapsible, fastenable yoga mat, showing my new design in an expanded configuration; FIG. 2 is a front elevational view of FIG. 1; FIG. 3 is a rear elevational view of FIG. 1; FIG. 4 is a right-side elevational view of FIG. 1; FIG. 5 is a left-side elevational view of FIG. 1; FIG. 6 is a top plan view of FIG. 1; FIG. 7 is a bottom plan view of FIG. 1; FIG. 8 is a perspective view thereof, illustrated in a collapsed, fastened configuration; FIG. 9 is a front elevational view of FIG. 8; FIG. 10 is a rear elevational view of FIG. 8; FIG. 11 is a right-side elevational view of FIG. 8; FIG. 12 is a left-side elevational view of FIG. 8; FIG. 13 is a top plan view of FIG. 8; and, FIG. 14 is a bottom plan view of FIG. 8. The broken lines in the drawings represent claimed stitching.

**1 Claim, 6 Drawing Sheets**



# US D657,987 S

Page 2

---

U.S. PATENT DOCUMENTS									
7,657,952	B2 *	2/2010	Hutchison .....	5/420	2009/0255060	A1	10/2009	Biggs	
7,867,599	B1	1/2011	Willingham		2009/0276957	A1	11/2009	Boitet-Ball	
7,971,763	B2 *	7/2011	Chace .....	224/259	2009/0288264	A1 *	11/2009	Banasik et al. ....	15/209.1
2005/0192158	A1	9/2005	Edwards		2010/0197471	A1	8/2010	Hayes et al.	

\* cited by examiner

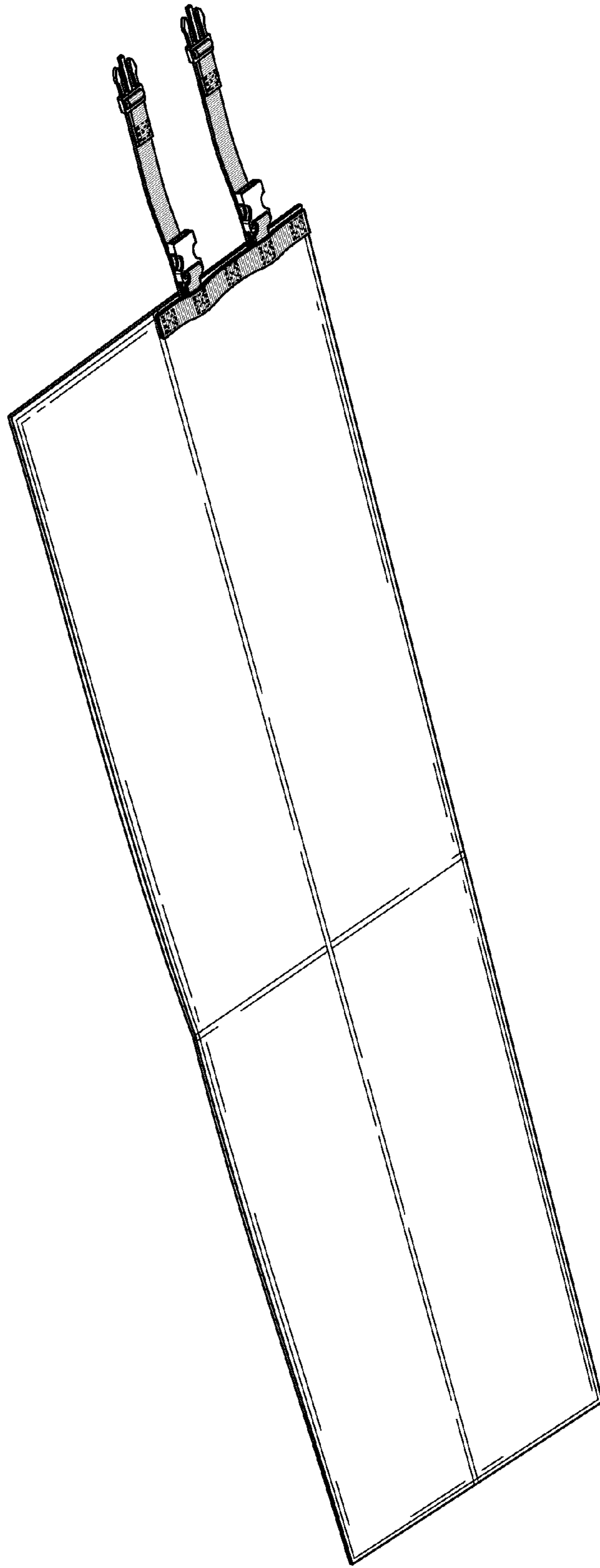


FIG. 1

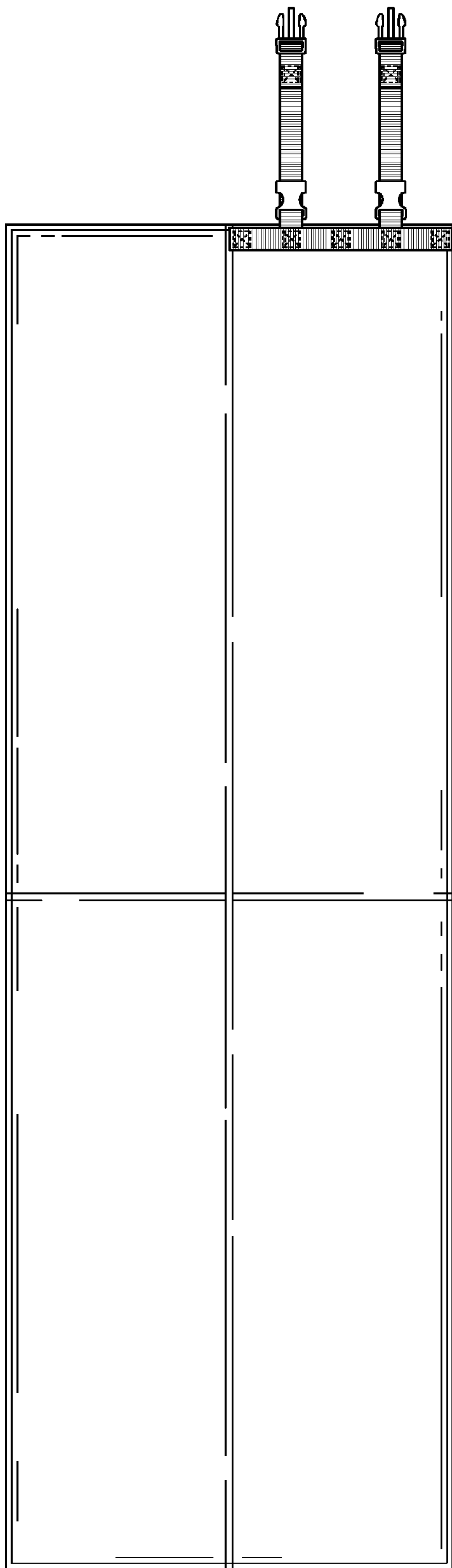


FIG. 2

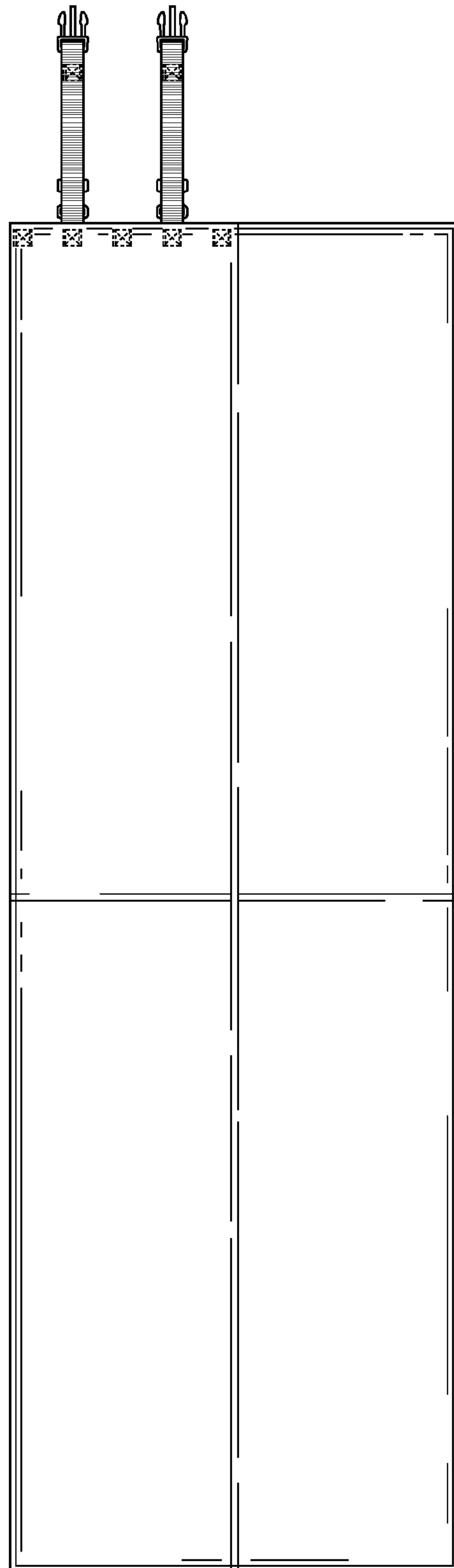


FIG. 3



FIG. 4



FIG. 5



FIG. 6



FIG. 7



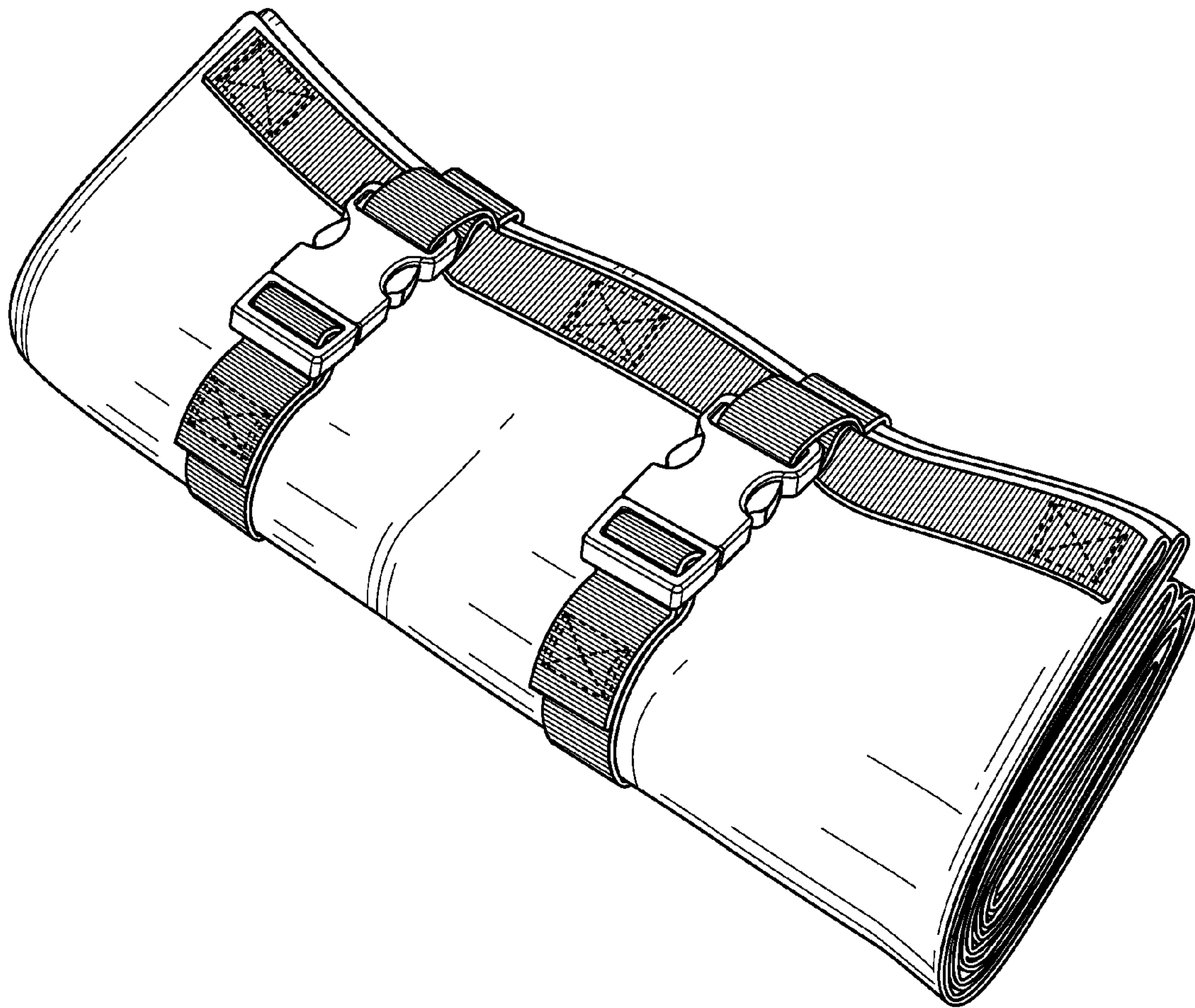


FIG. 8

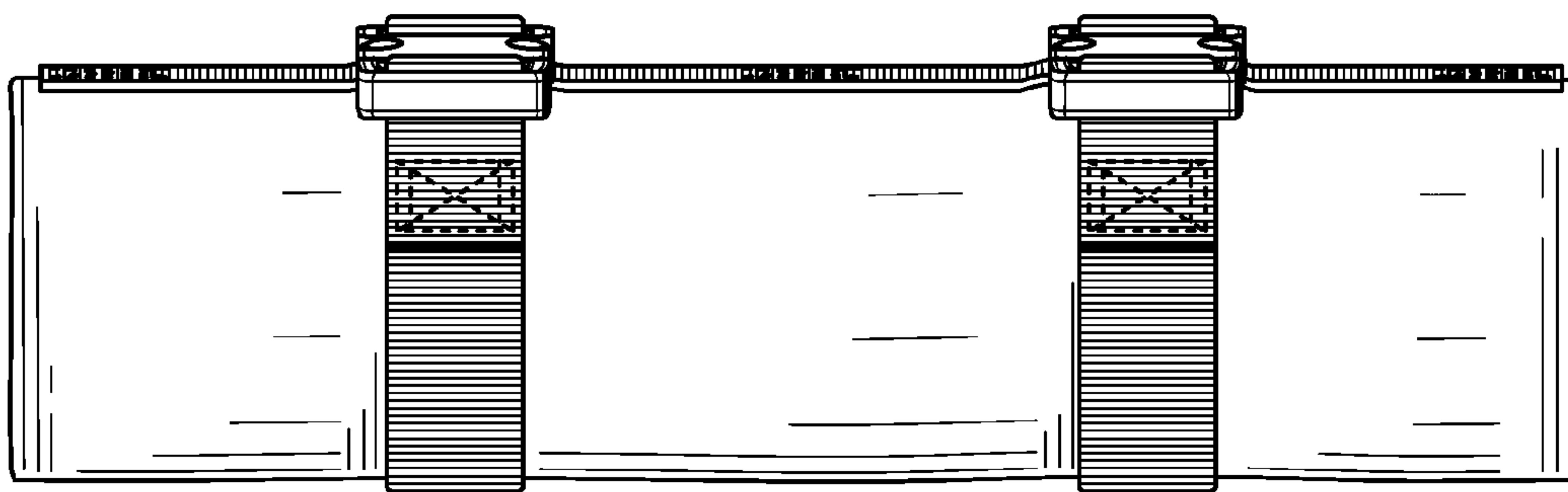


FIG. 9

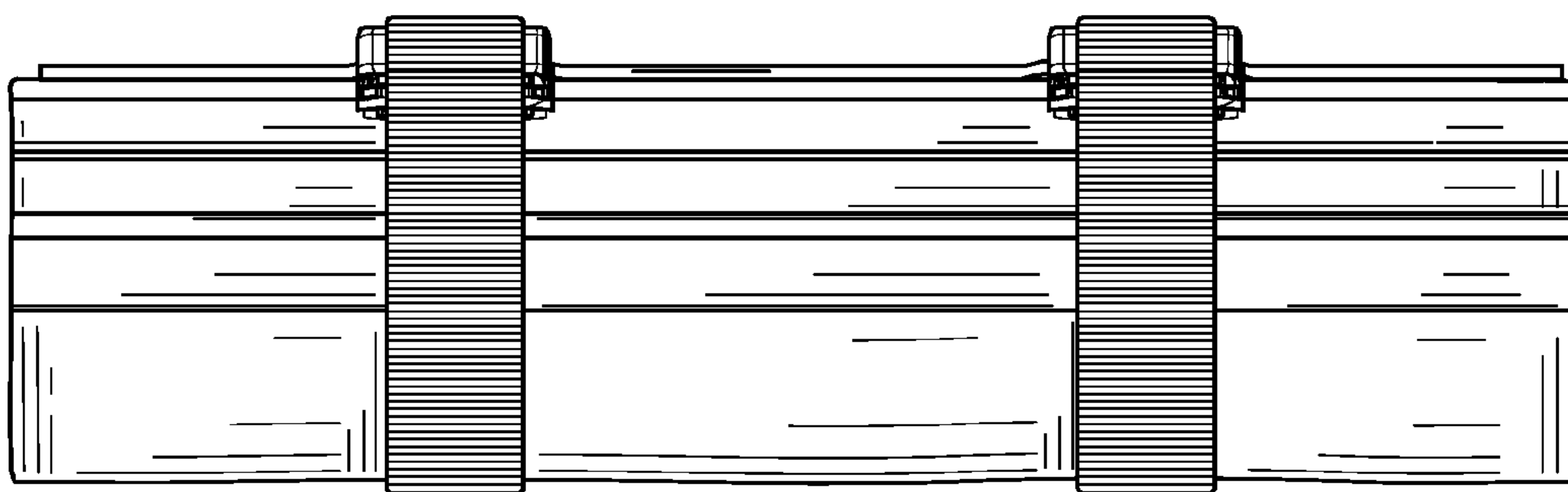


FIG. 10

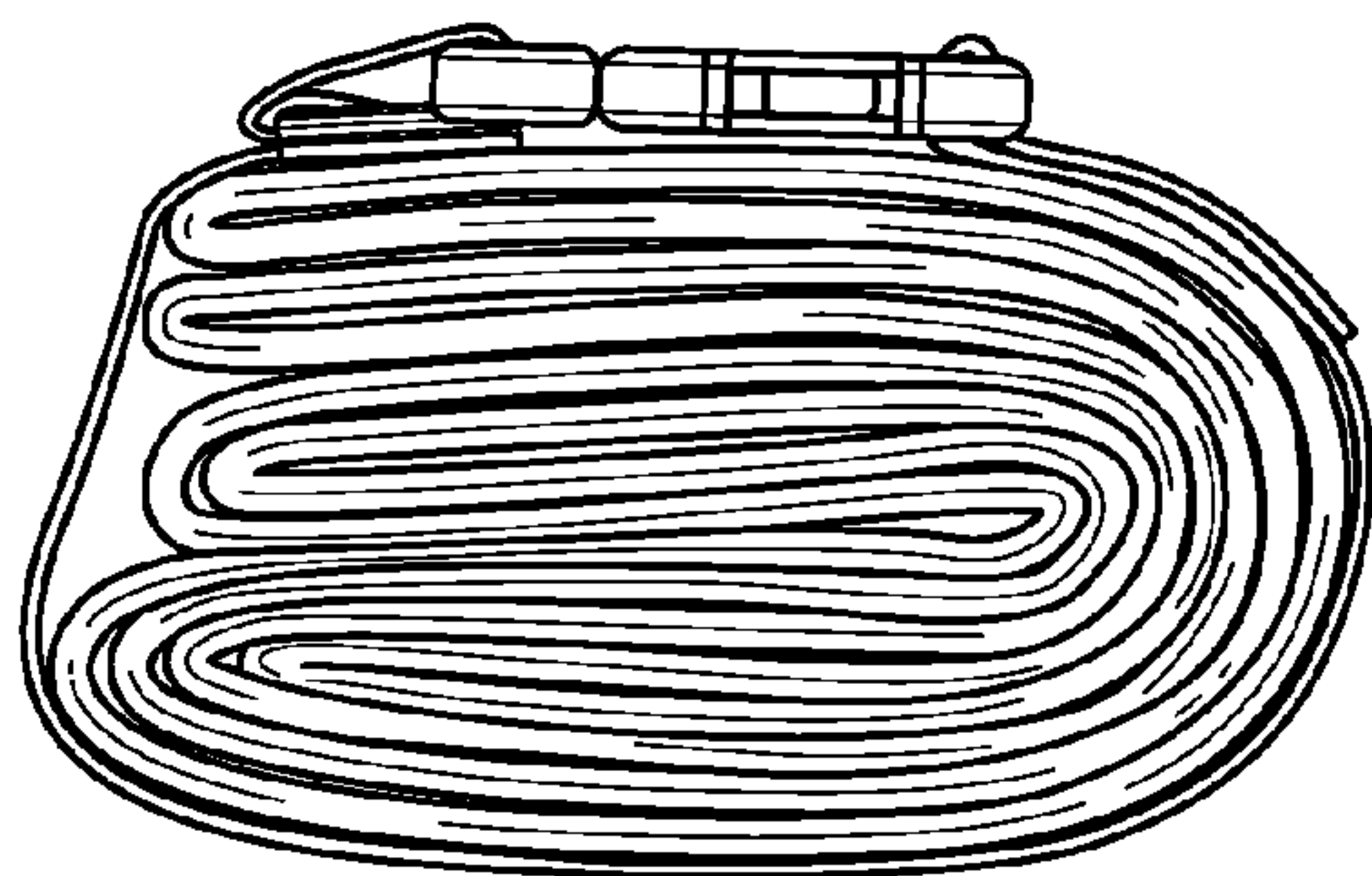


FIG. 11

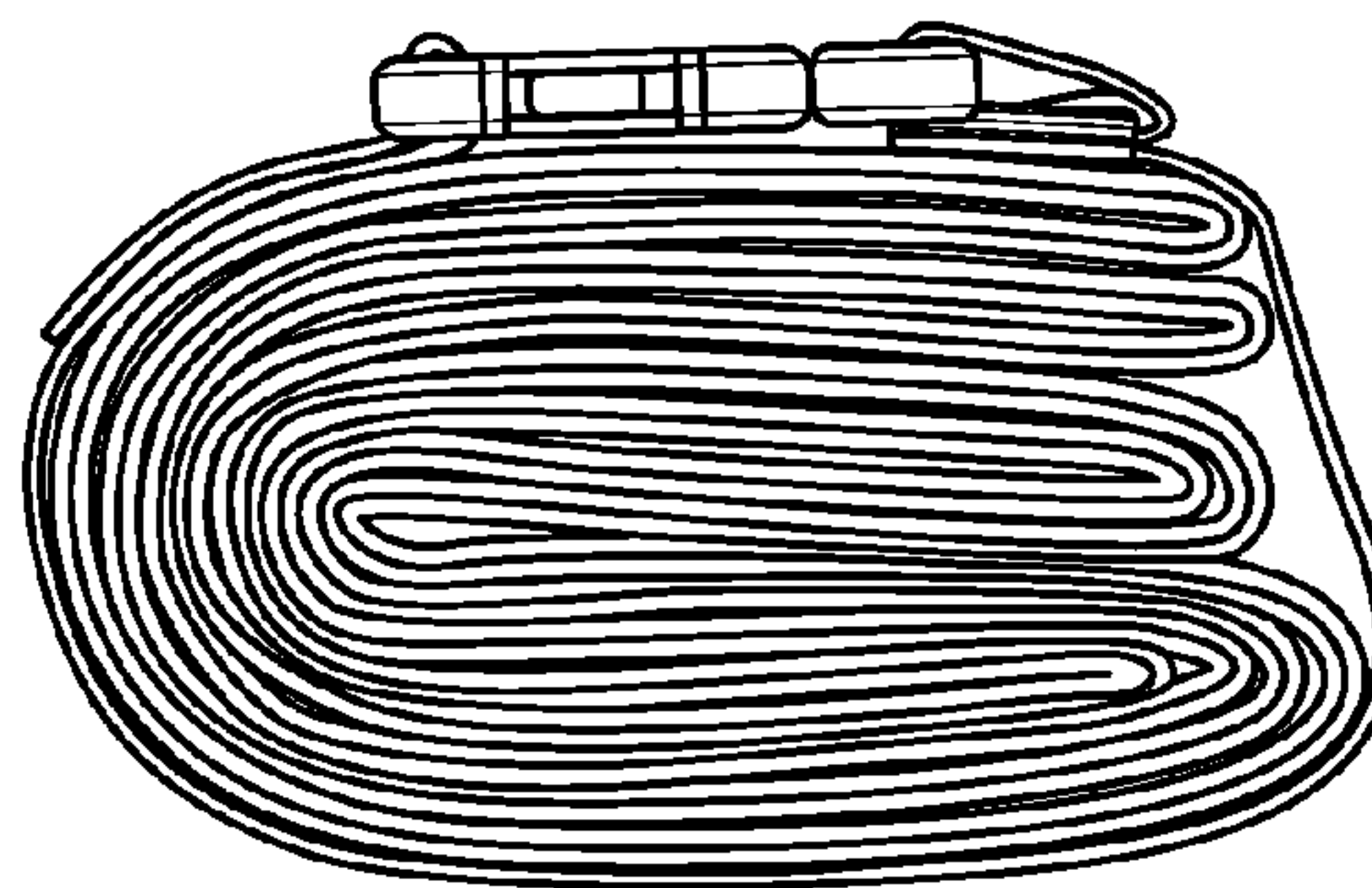


FIG. 12

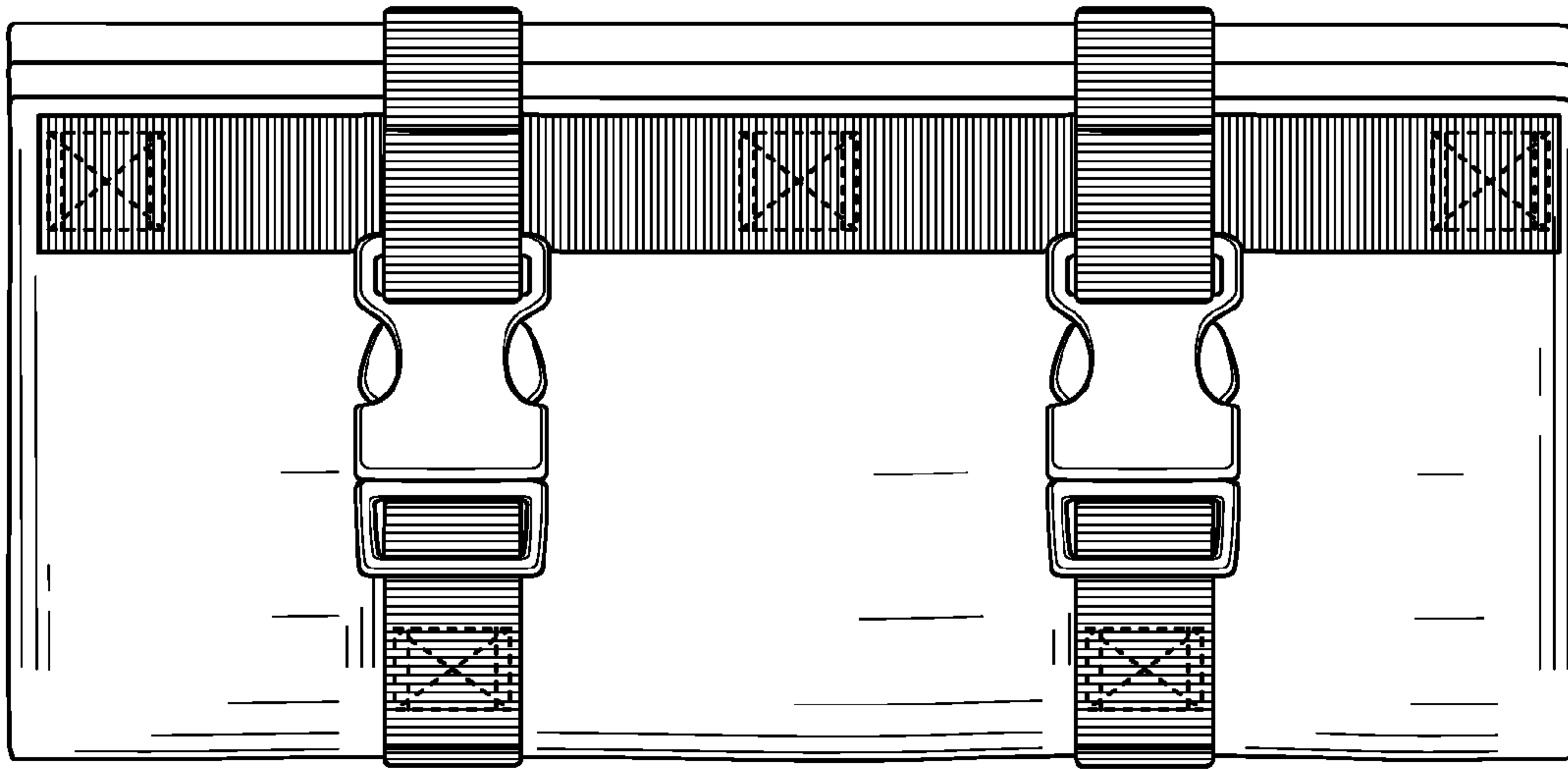


FIG. 13

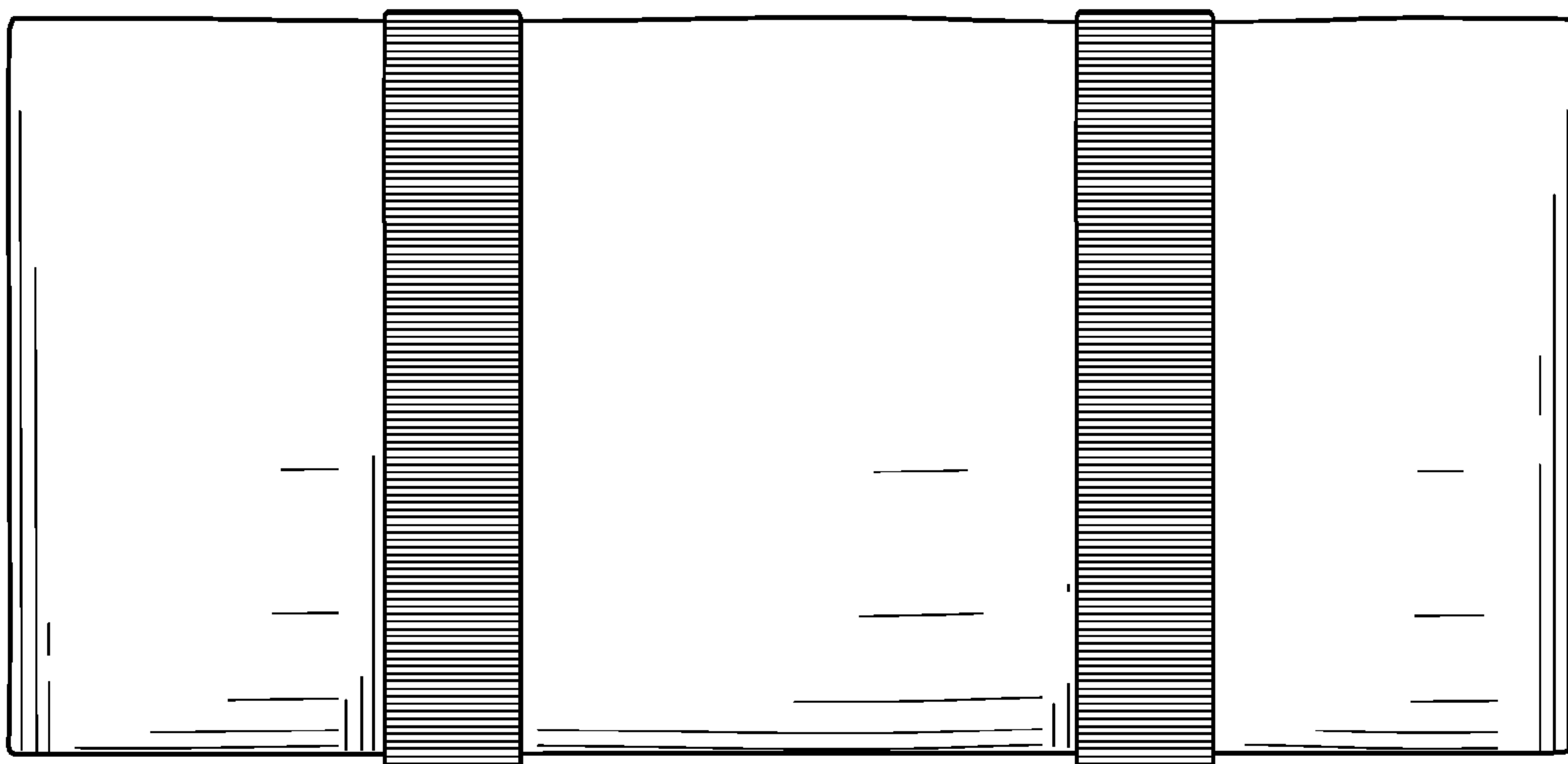


FIG. 14