



US00D657977S

(12) **United States Design Patent**
Belitz

(10) **Patent No.:** **US D657,977 S**
(45) **Date of Patent:** **** Apr. 24, 2012**

(54) **TRIPOD STAND**

(75) Inventor: **Michael Belitz**, Manhattan Beach, CA
(US)

(73) Assignee: **Swift Distribution, Inc.**, Torrence, CA
(US)

(**) Term: **14 Years**

(21) Appl. No.: **29/294,538**

(22) Filed: **Jan. 15, 2008**

(51) **LOC (9) Cl.** **06-06**

(52) **U.S. Cl.** **D6/462**

(58) **Field of Classification Search** D6/419,
D6/450, 462, 480, 486-495, 498; 108/150,
108/161; 248/173, 188.5, 188.1, 188.7, 176.1,
248/161, 125; 403/91, 92; 211/100-101,
211/172

See application file for complete search history.

(56) **References Cited**

U.S. PATENT DOCUMENTS

D18,940 S	2/1889	Jackson	
688,623 A	12/1901	Forry	
824,596 A *	6/1906	Smith	248/457
D120,114 S *	4/1940	Waechter	D6/496
D137,960 S	5/1944	Hagar	
D139,445 S *	11/1944	Barger	D6/419
3,338,539 A	8/1967	Foster	
D257,987 S	1/1981	Schoenig	
4,321,874 A	3/1982	Cenna	
D264,852 S	6/1982	Schoenig	
D268,458 S	4/1983	Schoenig	
4,445,415 A	5/1984	Izquierdo	
D288,755 S	3/1987	Schoenig	
D289,952 S	5/1987	Kido	
D290,355 S	6/1987	Nagele	
4,669,691 A	6/1987	Solomon	
4,671,479 A *	6/1987	Johnson et al.	248/173
4,763,865 A	8/1988	Danner	
4,770,380 A	9/1988	Eason et al.	
D304,270 S	10/1989	Goldman	

D306,943 S	4/1990	Hodge et al.	
4,917,341 A	4/1990	Pirchio	
4,988,064 A	1/1991	Hoshino	
4,988,150 A	1/1991	Lindow et al.	
D320,034 S	9/1991	Brooks et al.	
D321,293 S	11/1991	Kucsak	
5,062,606 A *	11/1991	Hoshino	248/171
D323,081 S	1/1992	Schaffer	
5,112,020 A	5/1992	Ginsberg	
5,165,635 A	11/1992	Hoshino	
5,188,321 A	2/1993	Hirschenson et al.	

(Continued)

FOREIGN PATENT DOCUMENTS

WO 20050070132 A2 4/2005

(Continued)

OTHER PUBLICATIONS

Konig & Meyer Spider Keyboard Stand, audioMIDI.com Dec. 28, 2004.

(Continued)

Primary Examiner — Caron D Veynar

Assistant Examiner — Kelley Donnelly

(74) *Attorney, Agent, or Firm* — Santangelo Law Offices, P.C.

(57) **CLAIM**

The ornamental design for a tripod stand, as shown and described.

DESCRIPTION

FIG. 1 shows a top view of a tripod stand.

FIG. 2 shows a front view thereof.

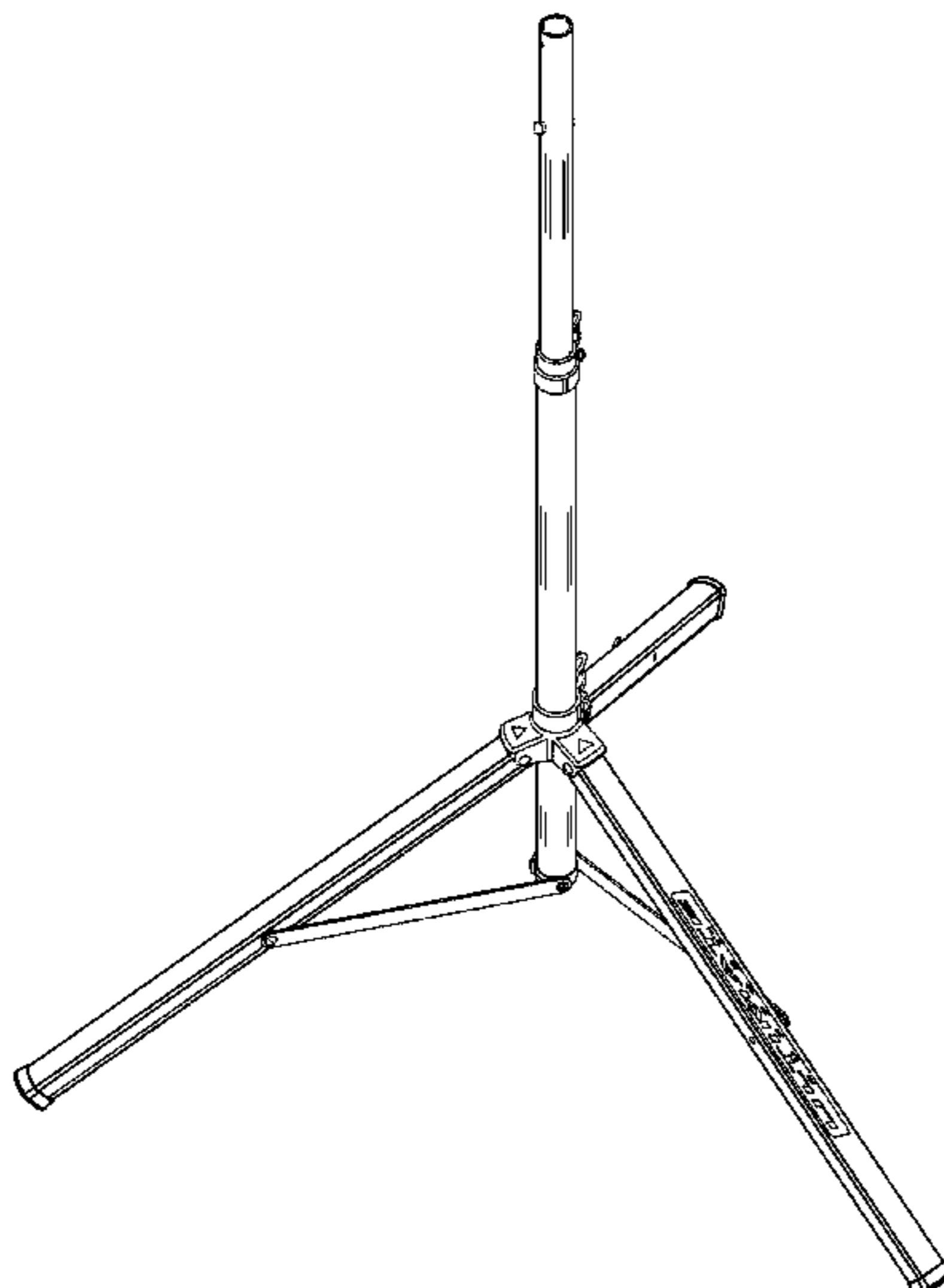
FIG. 3 shows a rear view thereof.

FIG. 4 shows a top view thereof; and,

FIG. 5 shows a bottom view thereof.

It is of note that any broken line illustration of environmental structure in the drawings is not part of the design sought to be patented.

1 Claim, 5 Drawing Sheets



US D657,977 S

Page 2

U.S. PATENT DOCUMENTS

5,199,930	A	4/1993	Weber	
D335,889	S	5/1993	Gibran	
5,208,736	A	5/1993	Crooks et al.	
D336,099	S	6/1993	Schoenig	
5,251,925	A	10/1993	Haley, Sr.	
5,301,910	A	4/1994	Lang et al.	
5,312,076	A	5/1994	Rogov	
5,322,250	A	6/1994	Wilhite, Jr.	
5,358,204	A	10/1994	Terada	
5,390,764	A	2/1995	Kerber	
5,392,476	A	2/1995	Williams	
5,395,088	A	3/1995	Ginsberg	
D364,516	S	11/1995	Helenowski	
5,467,953	A	11/1995	Malizia	
5,509,629	A	4/1996	Sassmannshausen et al.	
D370,575	S	6/1996	Lechleiter et al.	
5,565,889	A	10/1996	Crooks et al.	
5,572,237	A	11/1996	Crooks et al.	
5,603,480	A	2/1997	Chen	
5,732,928	A	3/1998	Chang	
5,894,406	A	4/1999	Blend et al.	
D409,020	S	5/1999	Hardin	
D409,594	S	5/1999	Lepack	
D414,962	S	10/1999	Welsh et al.	
5,979,856	A *	11/1999	Hsu	248/441.1
5,996,814	A	12/1999	Workman et al.	
6,045,179	A	4/2000	Harrison	
D435,365	S *	12/2000	Eason et al.	D6/466
6,260,812	B1 *	7/2001	Auke	248/460
6,375,135	B1	4/2002	Eason et al.	
D468,133	S	1/2003	Lauts	
D470,336	S	2/2003	Malizia	
6,536,720	B1 *	3/2003	Yu	248/125.7
6,563,035	B2	5/2003	Hsieh	
D475,555	S	6/2003	Lauts	
D481,563	S *	11/2003	Hsieh	D6/498
6,695,268	B1	2/2004	Hsieh	
D531,750	S *	11/2006	Lin	D26/139
D557,035	S *	12/2007	Huang	D6/419
D582,697	S *	12/2008	Goodman et al.	D6/462
D585,432	S *	1/2009	Baker	D14/223
D601,817	S *	10/2009	Barbieri	D6/327
D623,331	S *	9/2010	Rotwitt	D26/63
D643,230	S *	8/2011	Hepeng	D6/411
D646,505	S *	10/2011	Eason	D6/466

2002/0100852	A1	8/2002	Eason et al.	
2002/0109051	A1	8/2002	Kitagawa et al.	
2003/0052237	A1 *	3/2003	Yu	248/125.8
2003/0178544	A1 *	9/2003	Anderson	248/460
2004/0144233	A1	7/2004	Hsieh	
2006/0175523	A1 *	8/2006	Tai	248/460
2007/0175316	A1 *	8/2007	Kumarova	84/609
2008/0078914	A1 *	4/2008	Liao	248/435
2010/0163693	A1 *	7/2010	Wang	248/121

FOREIGN PATENT DOCUMENTS

WO	20050067541	A2	7/2005
WO	2006073383	A2	7/2006

OTHER PUBLICATIONS

Ultimate Support Systems, Inc. 1993 Product Catalog (Music Stand Edition).

Ultimate Support Systems, Inc. 1994 Product Catalog (Music Stand Edition).

Ultimate Support Systems, Inc. 1996 Product Catalog (Music Stand Edition).

Ultimate Support Systems, Inc. 1998 Product Catalog (Music Stand Edition).

Ultimate Support Systems, Inc. 1999 Product Catalog (Music Stand Edition).

Ultimate Support Systems, Inc. 2000 Product Catalog (Music Stand Edition).

Ultimate Support Systems, Inc. 2001 Product Catalog (Music Stand Edition).

Ultimate Support Systems, Inc. 2002 Product Catalog (Music Stand Edition).

Ultimate Support Systems, Inc. 2003 Product Catalog (Music Stand Edition).

Ultimate Support Systems, Inc. 2004 Product Catalog (Bicycle Stand Edition).

Ultimate Support Systems, Inc. 2005 Product Catalog (Music Stand Edition).

Ultimate Support Systems, Inc. 2004 Product Catalog (Music Stand Edition).

Frankenstand EZ Down; www.frankenstand.com, printed Jan. 7, 2011; 2 pages.

* cited by examiner

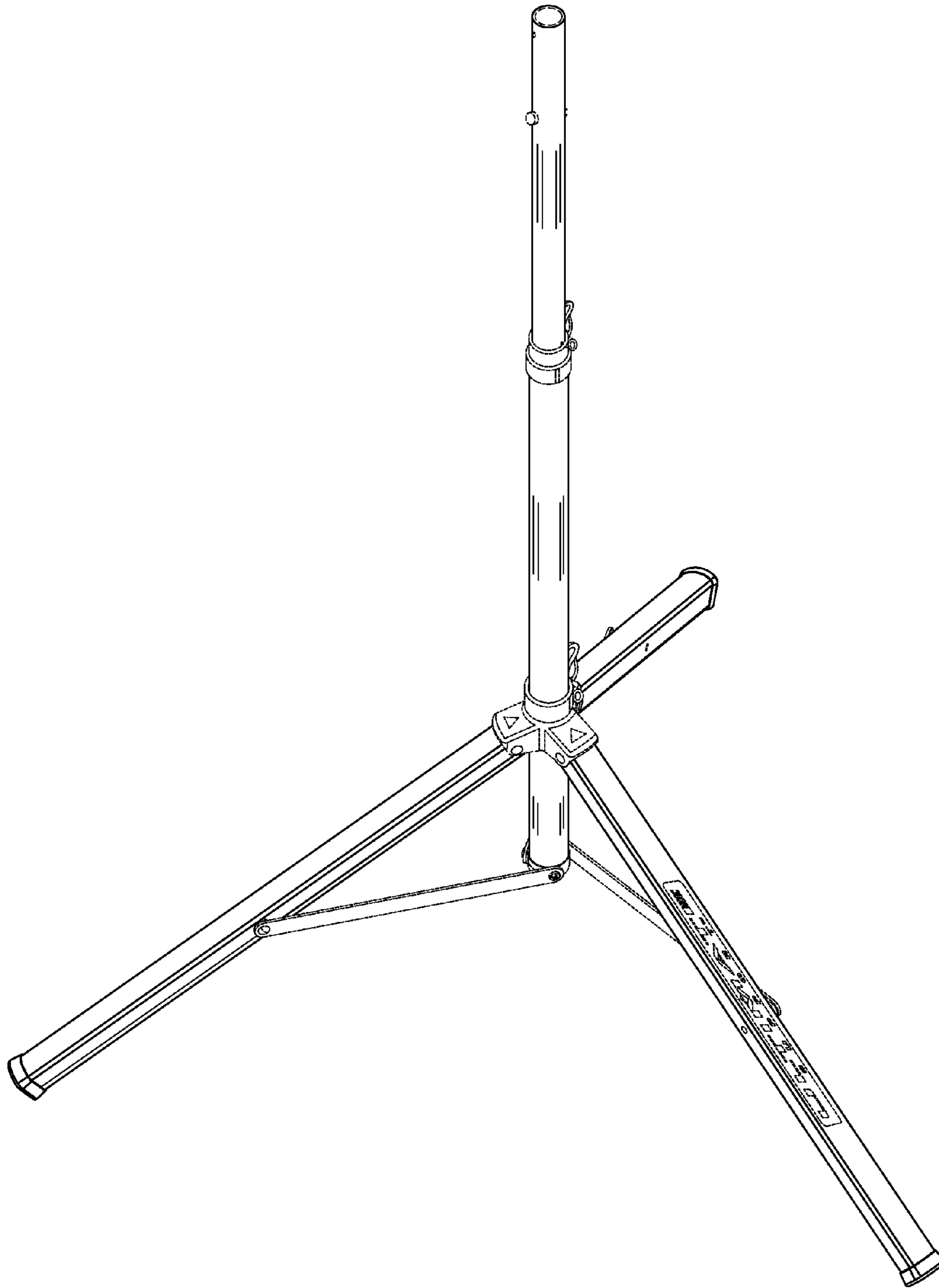


Fig. 1

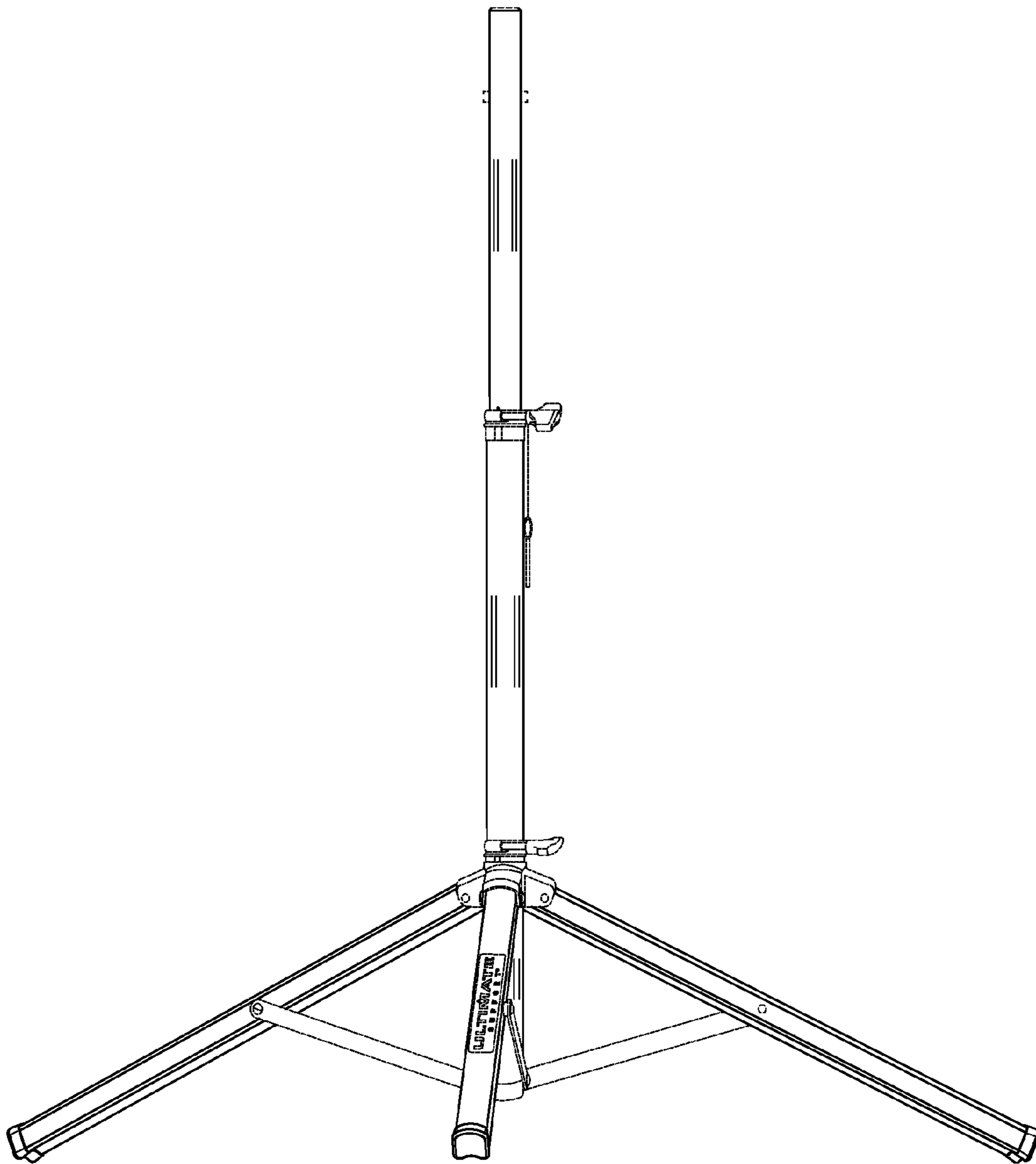


Fig. 2

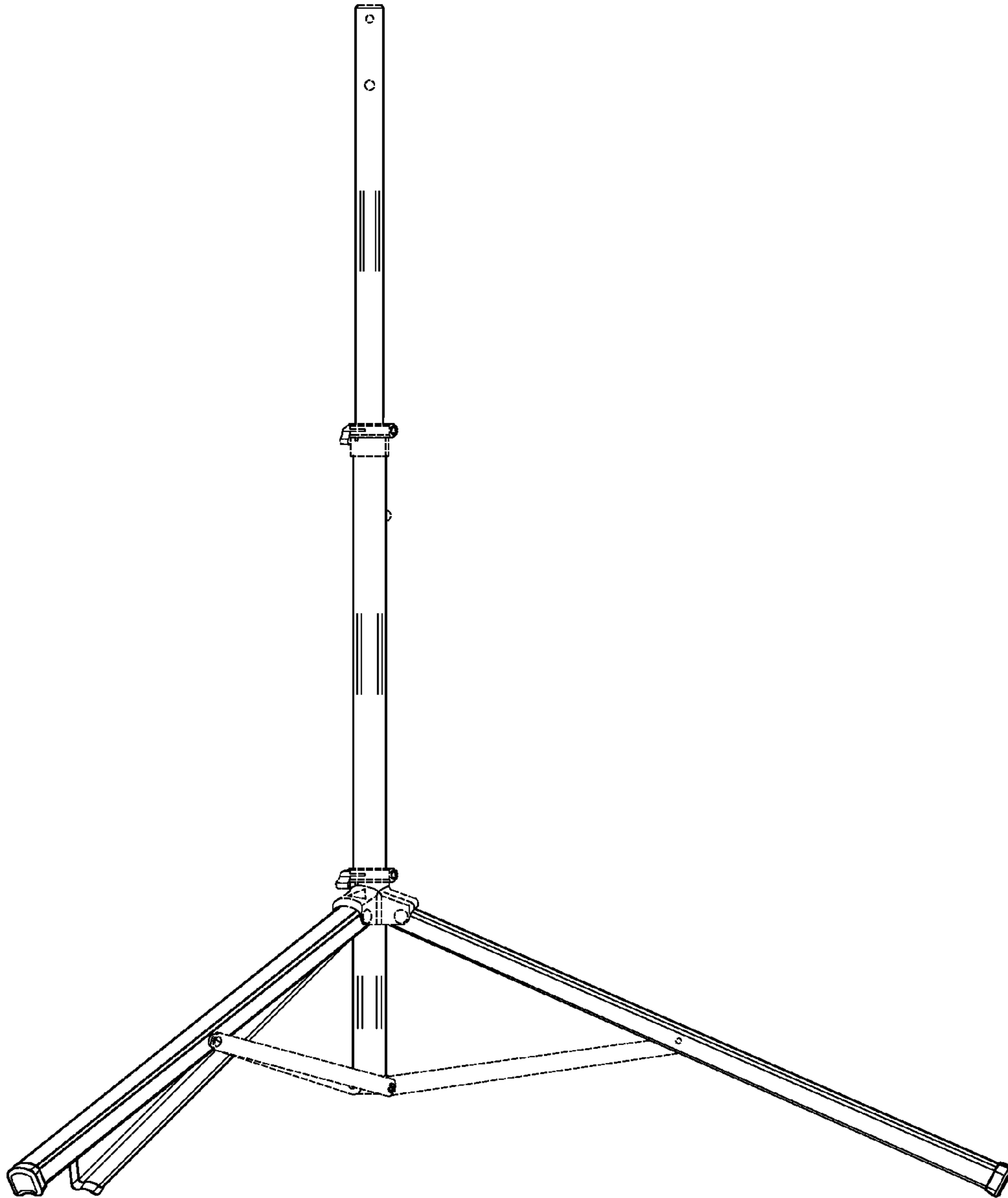


Fig. 3

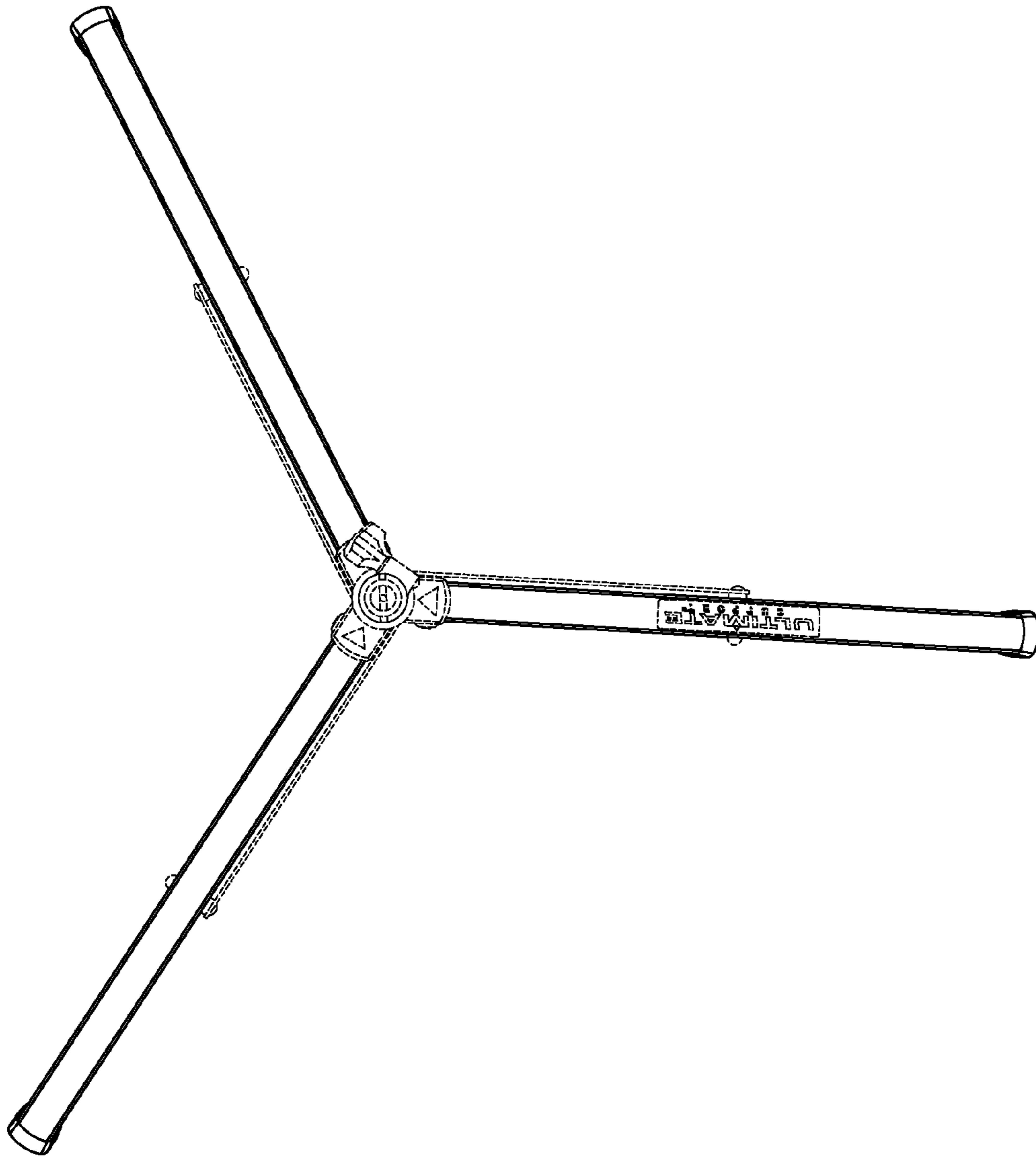


Fig. 4

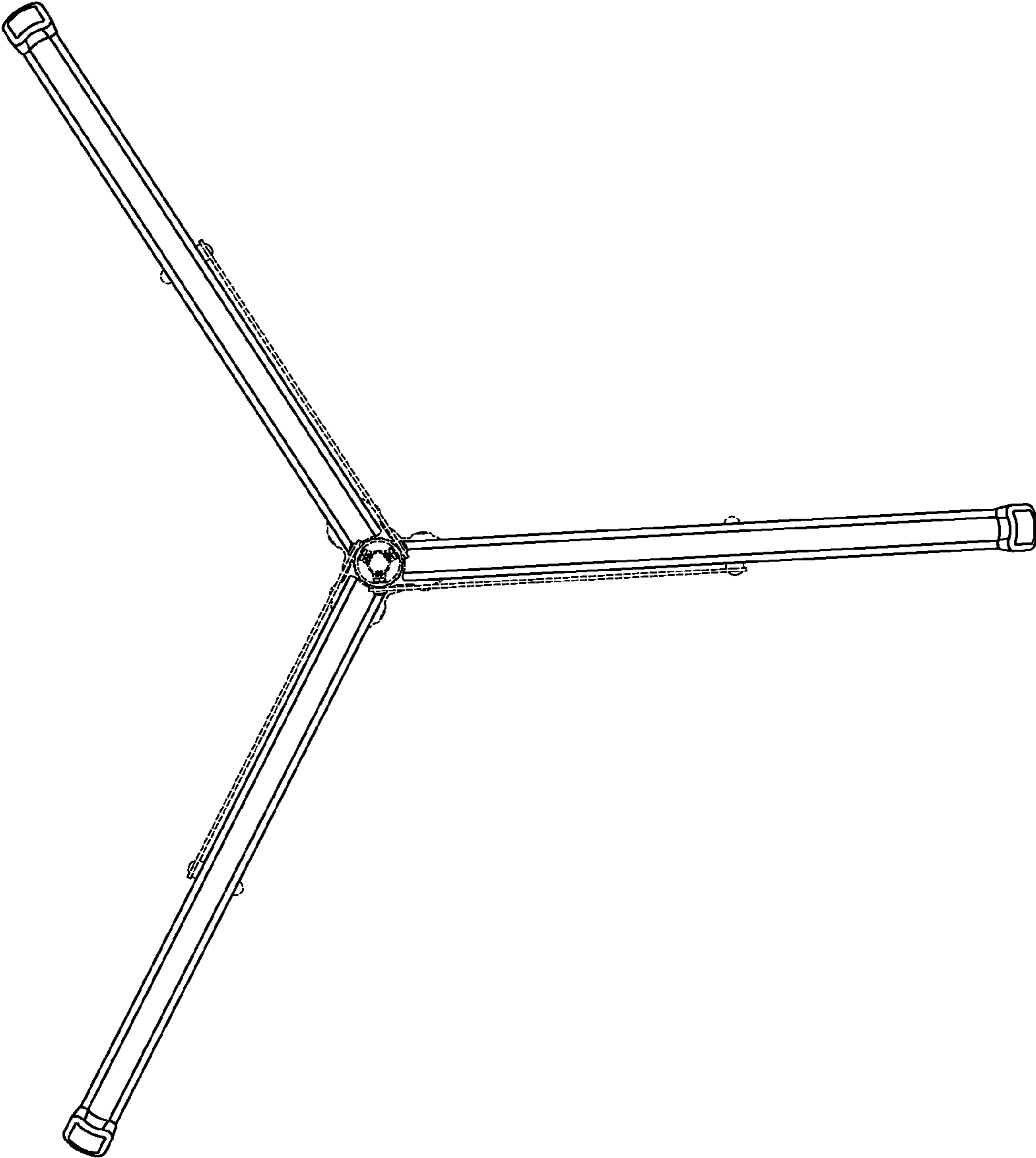


Fig. 5