



US00D657976S

(12) **United States Design Patent**
Bielmann

(10) **Patent No.:** **US D657,976 S**

(45) **Date of Patent:** **** Apr. 24, 2012**

(54) **FULL HEIGHT CABINET**

(76) Inventor: **Phillip Bielmann**, London (CA)

(**) Term: **14 Years**

(21) Appl. No.: **29/339,141**

(22) Filed: **Jun. 24, 2009**

(51) **LOC (9) Cl.** **06-04**

(52) **U.S. Cl.** **D6/455**

(58) **Field of Classification Search** D6/432-448,
D6/494; D25/16; D32/6; 312/138.1, 204,
312/249.1, 249.8, 237, 257.1, 263, 297
See application file for complete search history.

(56) **References Cited**

U.S. PATENT DOCUMENTS

D382,137 S *	8/1997	Estape et al.	D6/445
D390,042 S *	2/1998	Walters et al.	D6/434
D392,477 S *	3/1998	De Blaay	D6/446
D420,229 S *	2/2000	O'Hare	D6/441
D432,281 S *	10/2000	LaZar et al.	D32/6
D439,441 S *	3/2001	Mathieu et al.	D6/446
D459,614 S *	7/2002	Grosfillex	D6/446
D492,134 S *	6/2004	Moon et al.	D6/446
D499,275 S *	12/2004	Grosfillex	D6/446
D534,010 S *	12/2006	O'Reilly	D6/446
D559,011 S *	1/2008	Mehmen	D6/446
D580,195 S *	11/2008	Daino et al.	D6/494
2003/0127956 A1 *	7/2003	Stoever	312/257.1

* cited by examiner

Primary Examiner — Ricky Pham

(74) *Attorney, Agent, or Firm* — Brunet & Co. Ltd.; Robert A. H. Brunet

(57) **CLAIM**

I claim the ornamental design for a full height cabinet, as shown and described.

DESCRIPTION

FIG. 1 is a front view of the cabinet having double doors, a recessed center panel shared between the doors, two prominent flared side panel edges, and an upper transom with upturned contoured sides;

FIG. 2 is a top view of the cabinet of FIG. 1;

FIG. 3 is a right side view of the cabinet of FIG. 1;

FIG. 4 is a left side view of the cabinet of FIG. 1;

FIG. 5 is a rear view of the cabinet of FIG. 1;

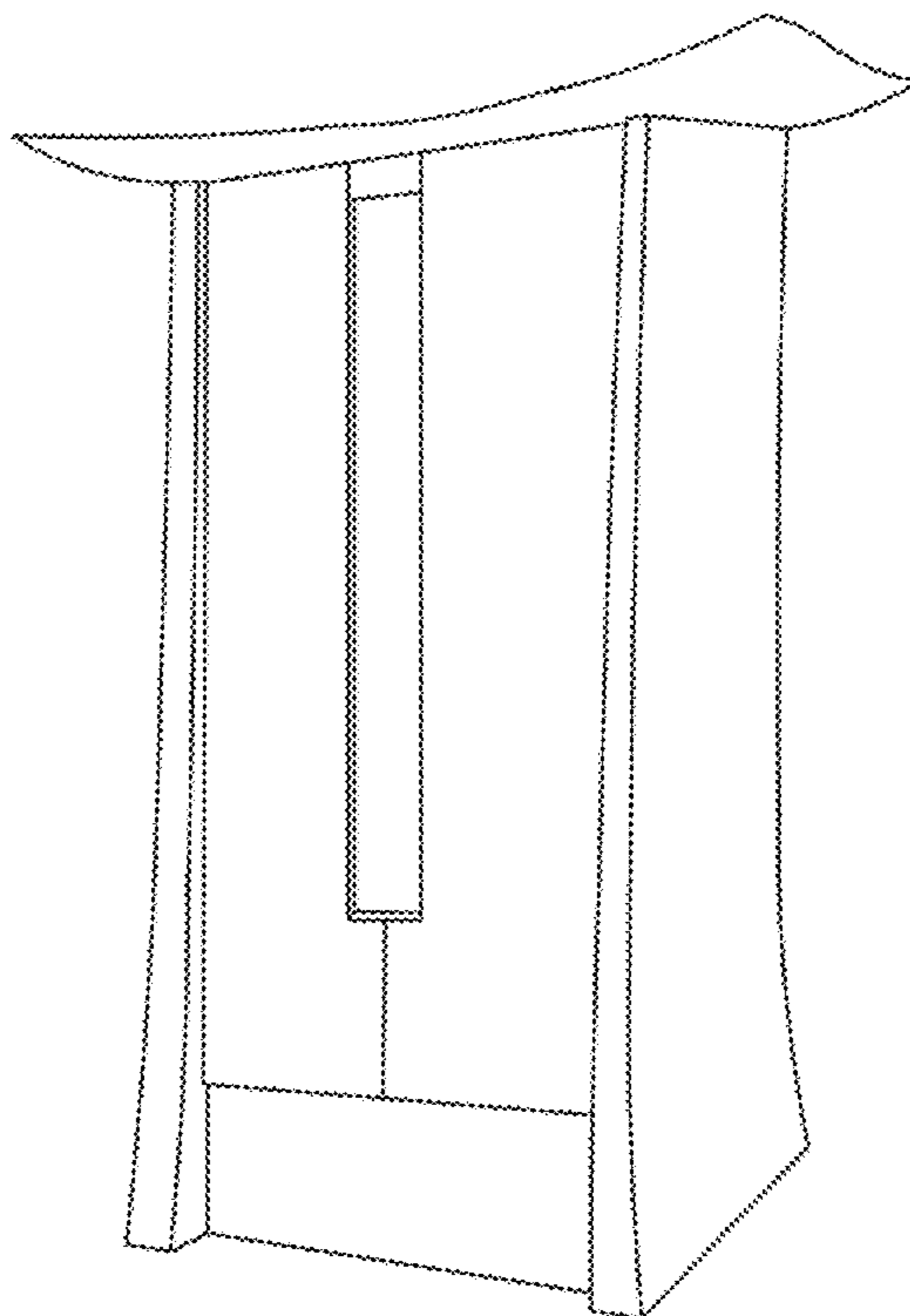
FIG. 6 is a bottom view of the cabinet of FIG. 1;

FIG. 7 is a perspective view of the cabinet of FIG. 1;

FIG. 8 is a front view of another embodiment of the cabinet having double doors, a recessed center panel shared between the doors, an open upper shelf, a lower drawer, two prominent flared side panel edges, and an upper transom with upturned contoured sides, the top, right, left, rear and bottom views identical to those shown in FIGS. 2, 3, 4, 5, and 6, respectively; and,

FIG. 9 is a front view of yet another embodiment of the cabinet having double doors, a recessed center panel shared between the doors, an open upper shelf, two prominent flared side panel edges, and an upper transom with upturned contoured sides, the top, right, left, rear and bottom views identical to those shown in FIGS. 2, 3, 4, 5, and 6, respectively.

1 Claim, 9 Drawing Sheets



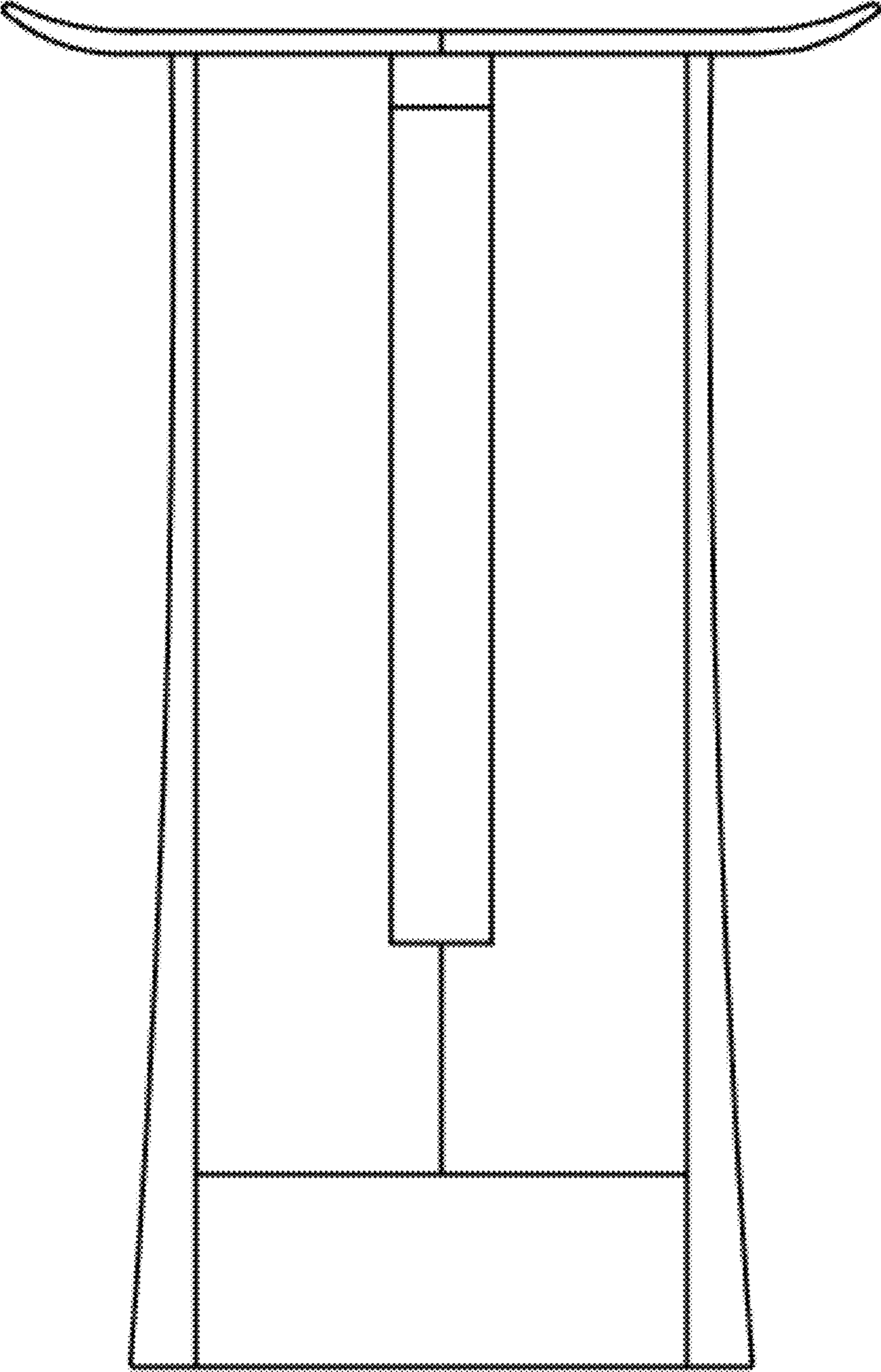


Figure 1

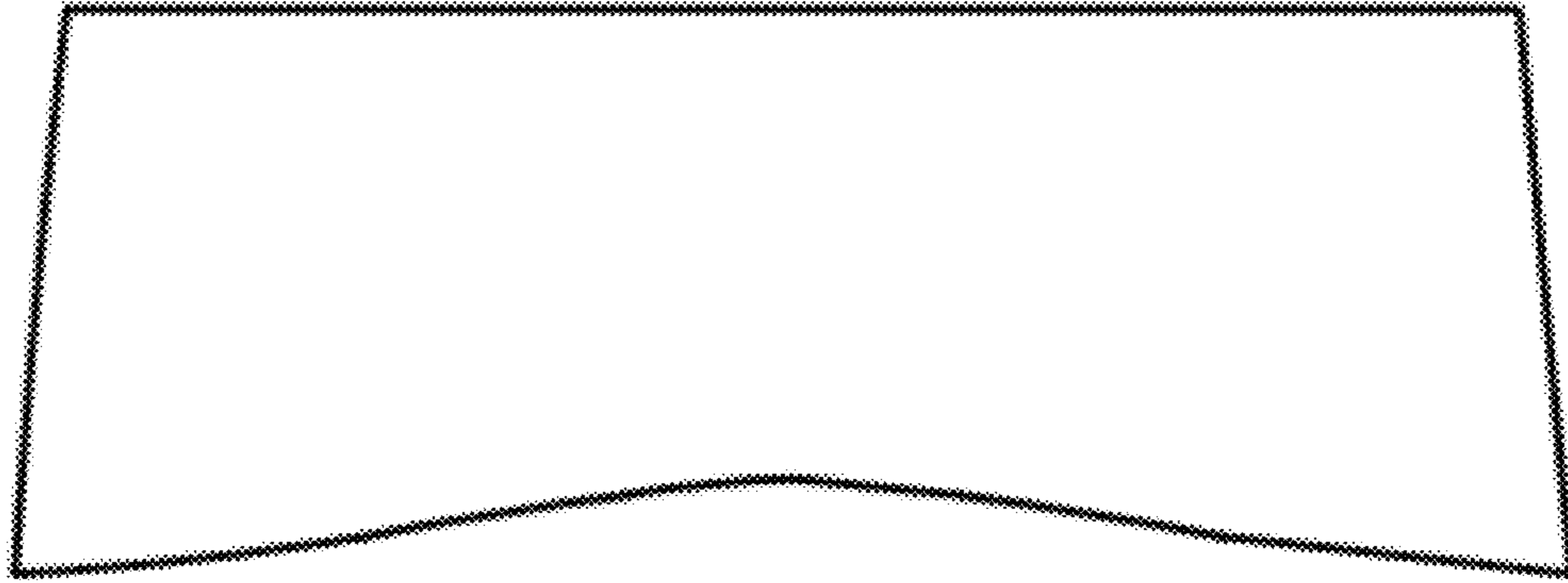


Figure 2

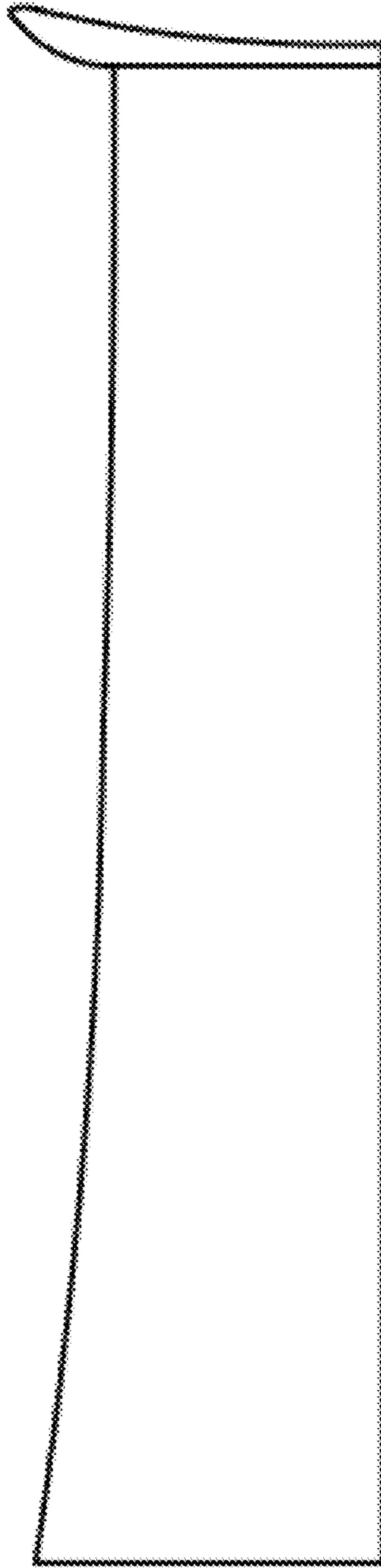


Figure 3

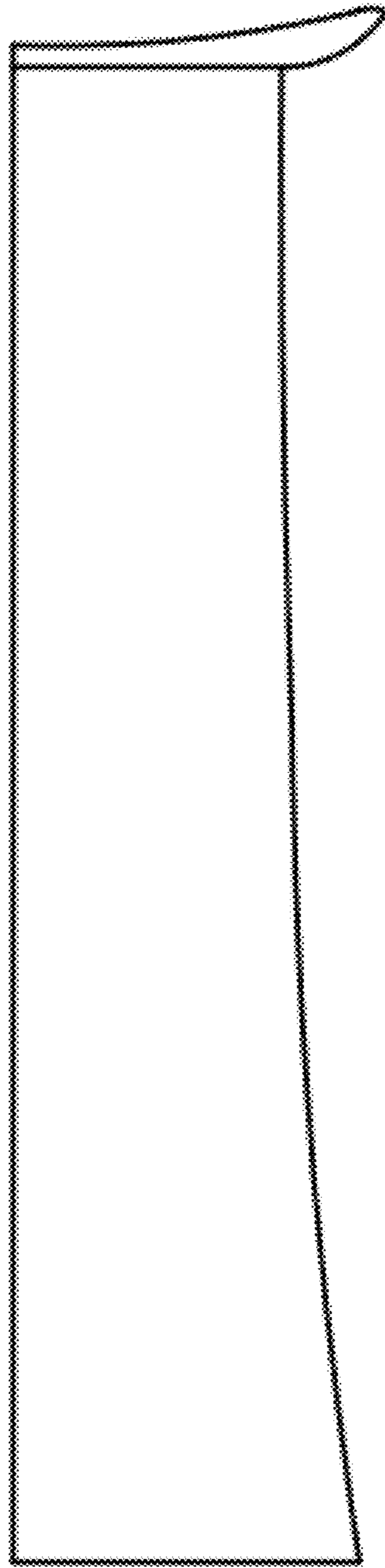


Figure 4

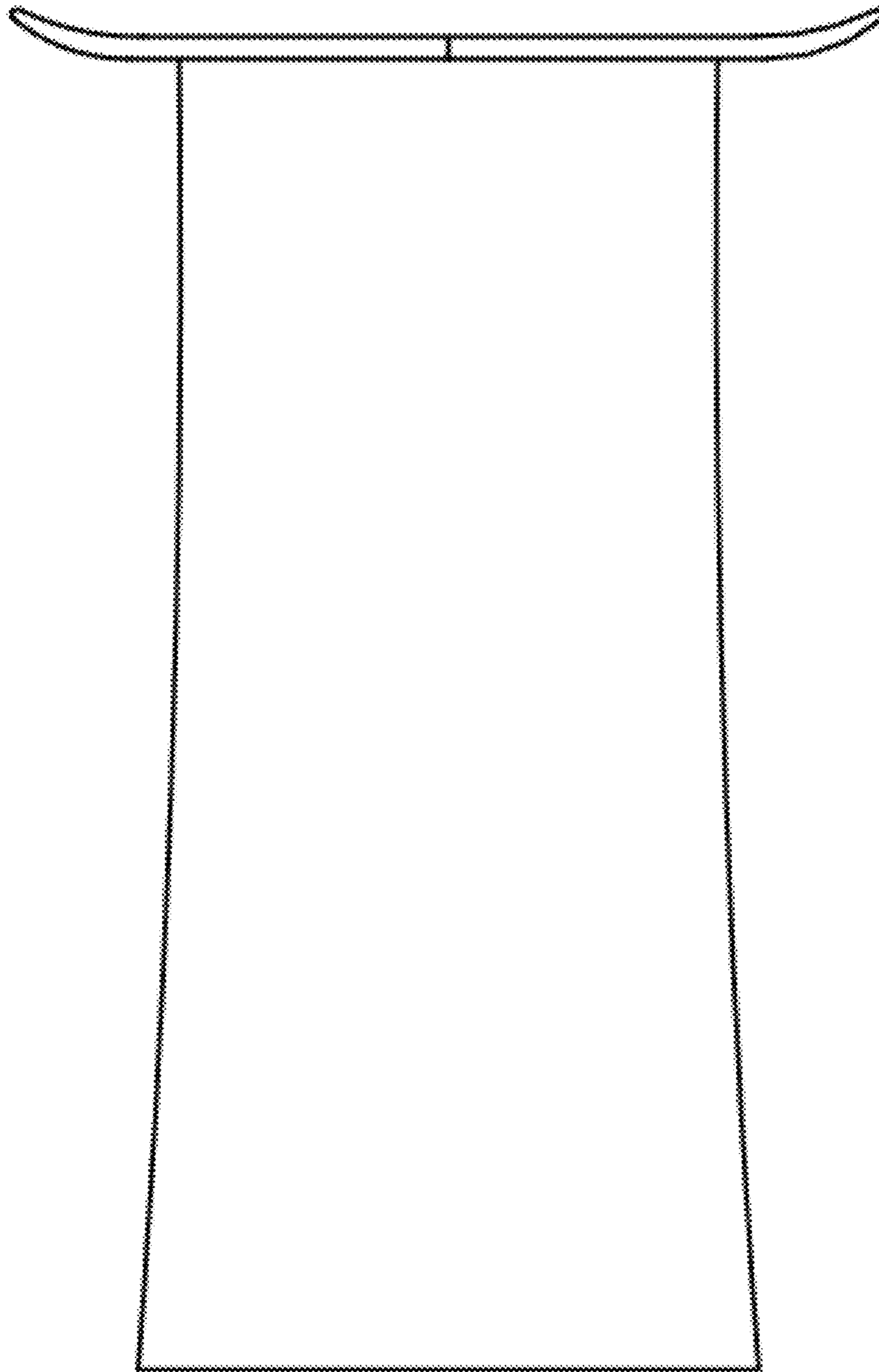


Figure 5

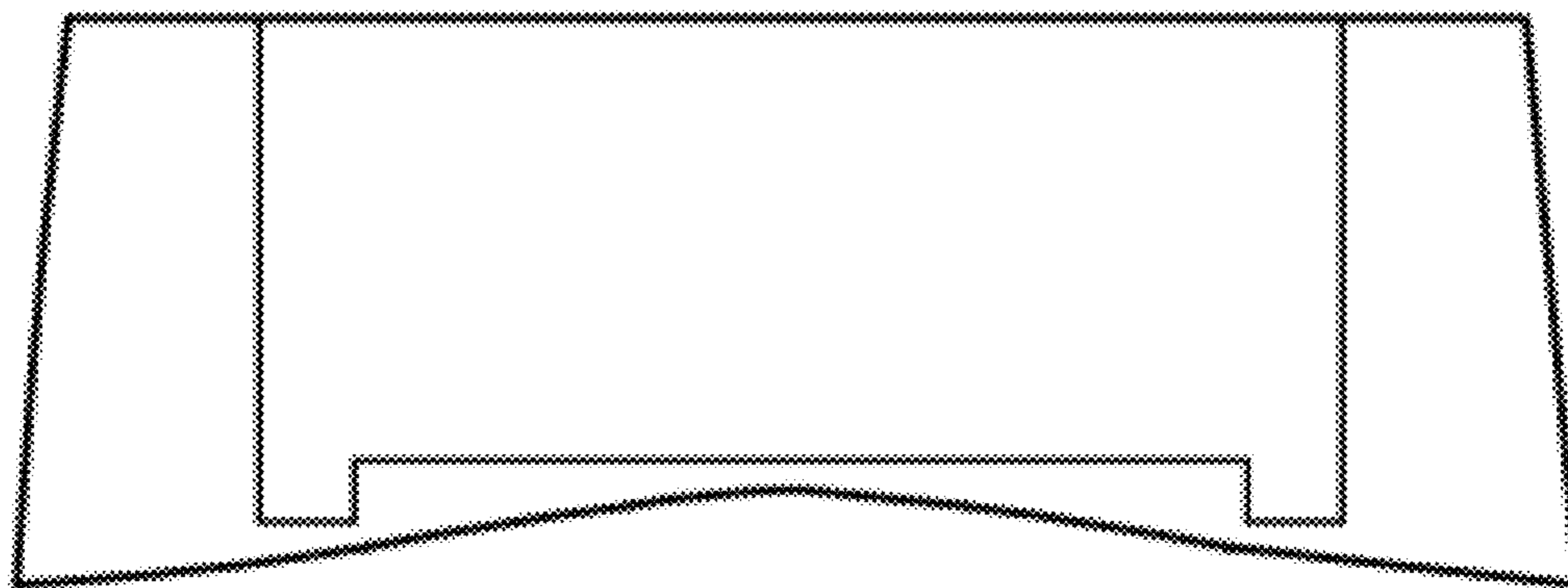


Figure 6

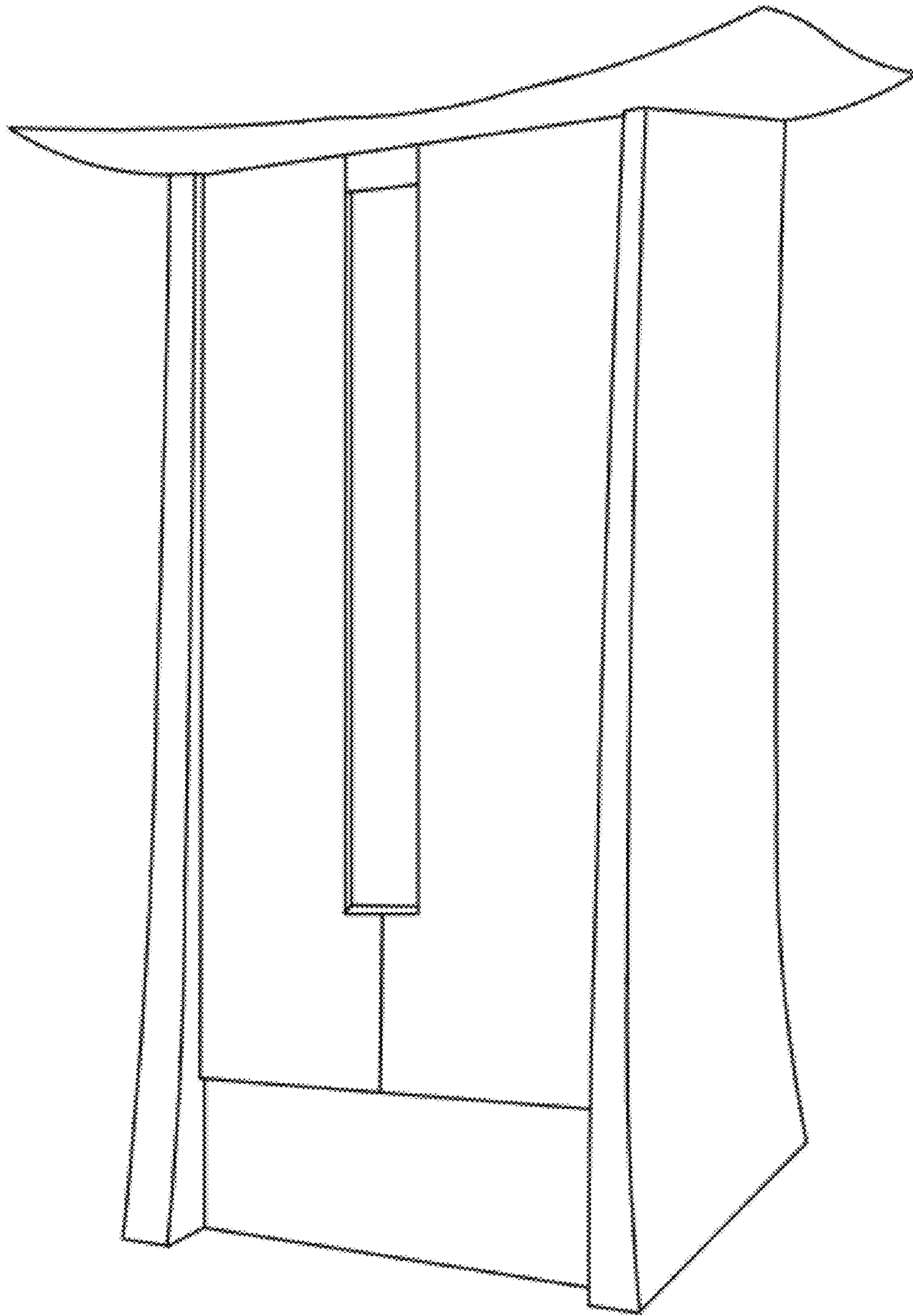


Figure 7

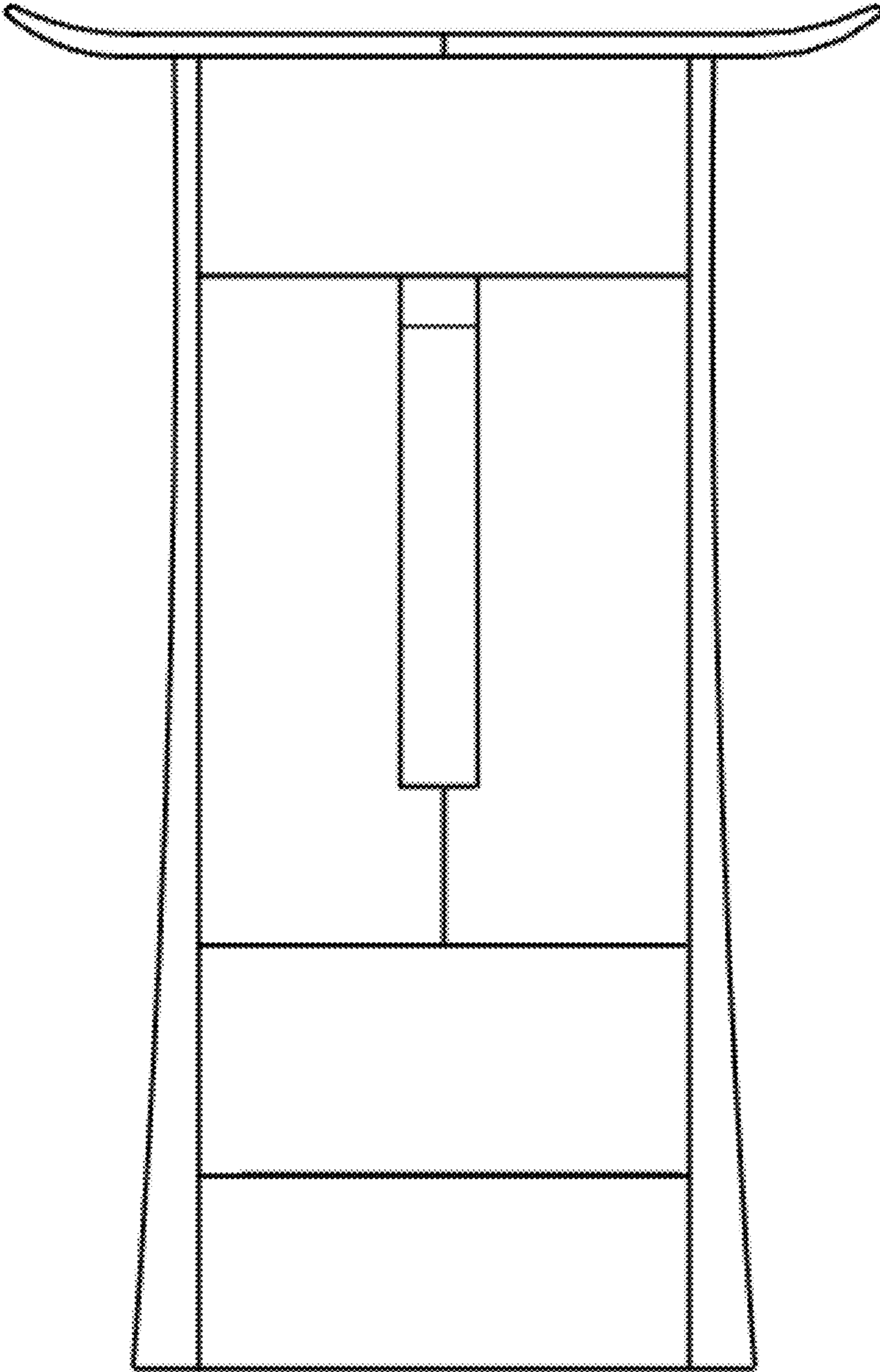


Figure 8

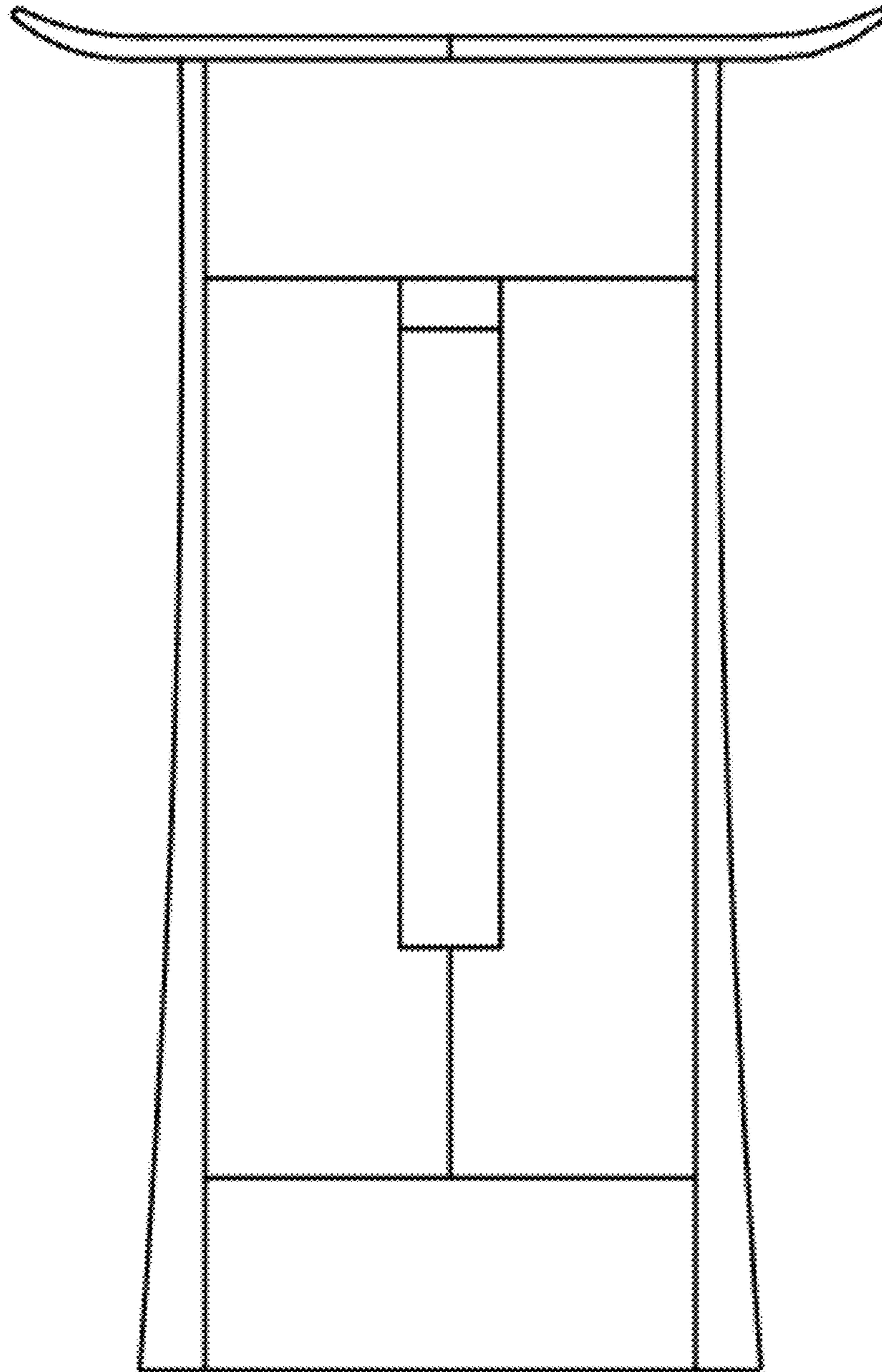


Figure 9