



US00D657969S

(12) **United States Design Patent**
Nguyen

(10) **Patent No.:** **US D657,969 S**
(45) **Date of Patent:** **** Apr. 24, 2012**

(54) **CHAIR**

(75) Inventor: **Huu Toan Nguyen**, Milan (IT)

(73) Assignee: **Dedon GmbH**, Luneburg (DE)

(**) Term: **14 Years**

(21) Appl. No.: **29/378,475**

(22) Filed: **Nov. 4, 2010**

(30) **Foreign Application Priority Data**

Aug. 5, 2010 (EM) 001740309

(51) **LOC (9) Cl.** **06-01**

(52) **U.S. Cl.** **D6/361; D6/369**

(58) **Field of Classification Search** D6/334-336,
D6/360, 361, 367, 369, 370, 374, 381, 382,
D6/500-502; 5/12.1, 652, 656, 657; 297/377,
297/353, 354.1, 423.1, 451.9, 452.63, 452.64
See application file for complete search history.

(56) **References Cited**

U.S. PATENT DOCUMENTS

D182,842 S * 5/1958 Lubberts et al. D6/361
D201,750 S * 7/1965 Melchior D6/335

D211,338 S * 6/1968 Schultz D6/361
5,904,402 A * 5/1999 Sabo 297/377
D479,052 S * 9/2003 Goodman D6/361
6,860,567 B1 * 3/2005 Bauer 297/377
D531,828 S * 11/2006 Frinier D6/361
D545,581 S * 7/2007 Gower D6/361

* cited by examiner

Primary Examiner — Mimosa De

(74) *Attorney, Agent, or Firm* — C. Brandon Browning;
Maynard, Cooper & Gale, PC

(57) **CLAIM**

The ornamental design for a chair, as shown and described.

DESCRIPTION

FIG. 1 is a front perspective view of a chair in accordance with the present invention.

FIG. 2 is a side elevational view of the chair of FIG. 1.

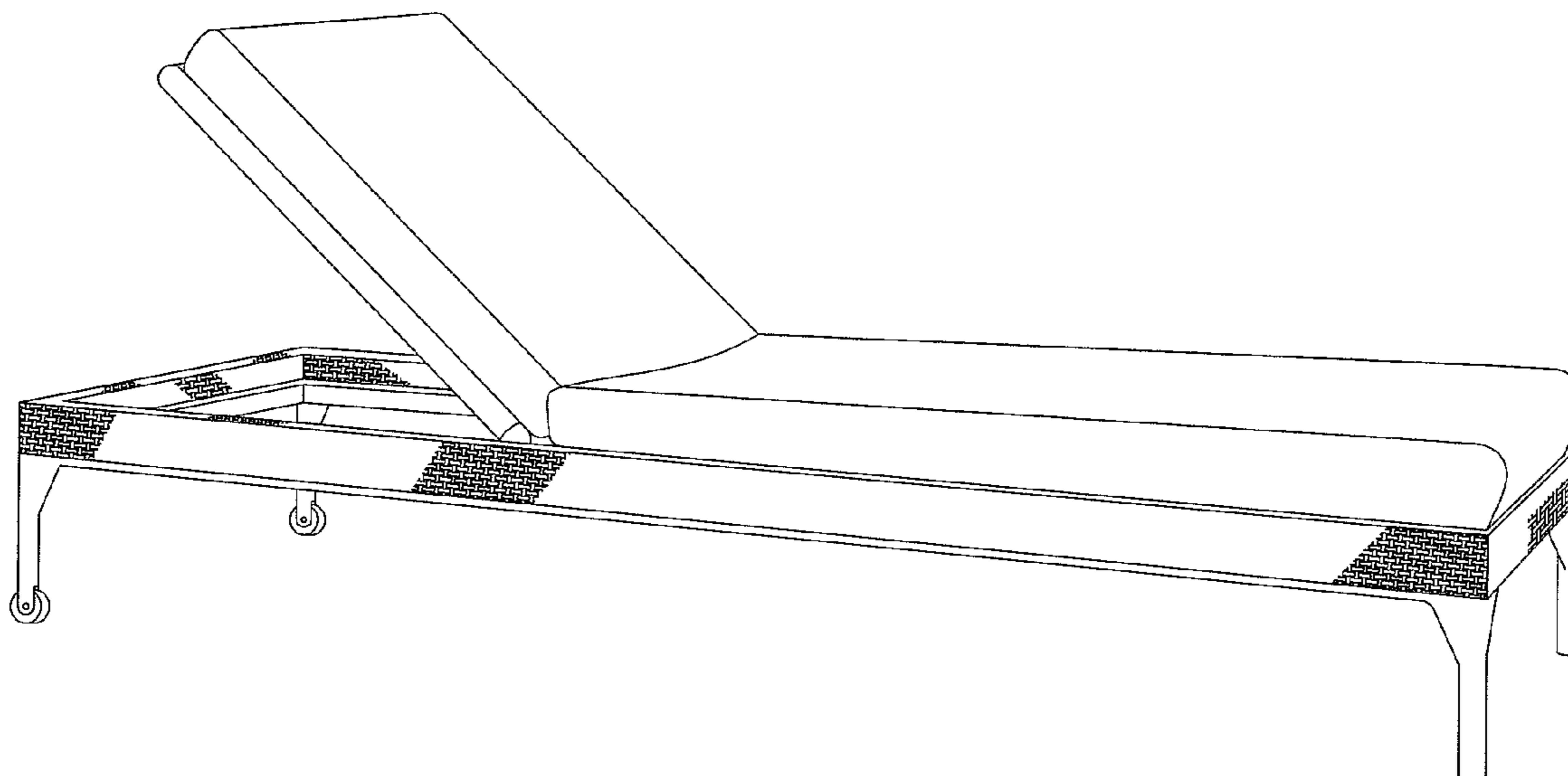
FIG. 3 is a front elevational view of the chair of FIG. 1.

FIG. 4 is a rear elevational view of the chair of FIG. 1; and,

FIG. 5 is a top plan view of the chair of FIG. 1.

The fragmented depictions of weave pattern shown in the views are understood to repeat throughout the areas shown.

1 Claim, 4 Drawing Sheets



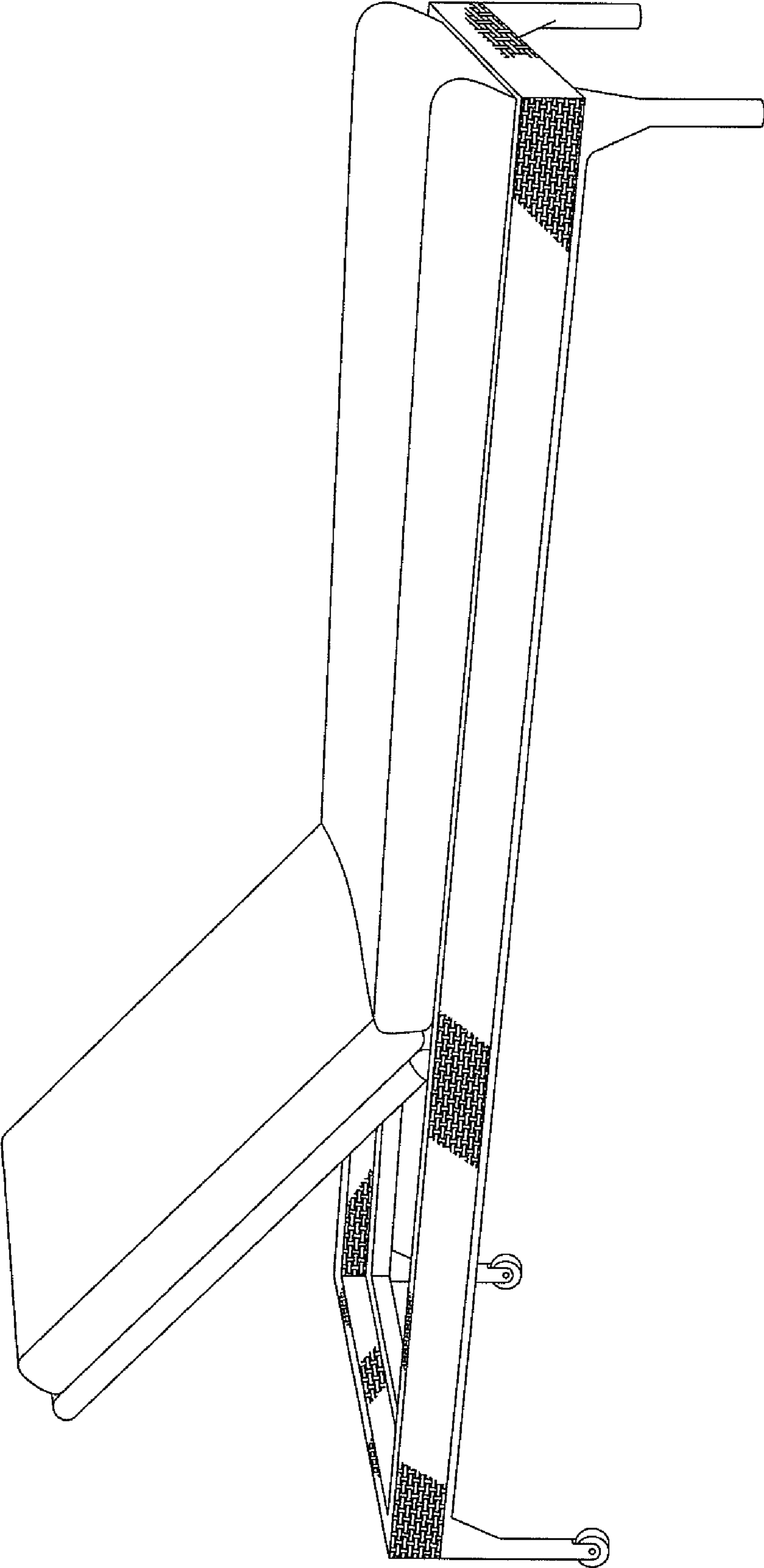


FIG. 1

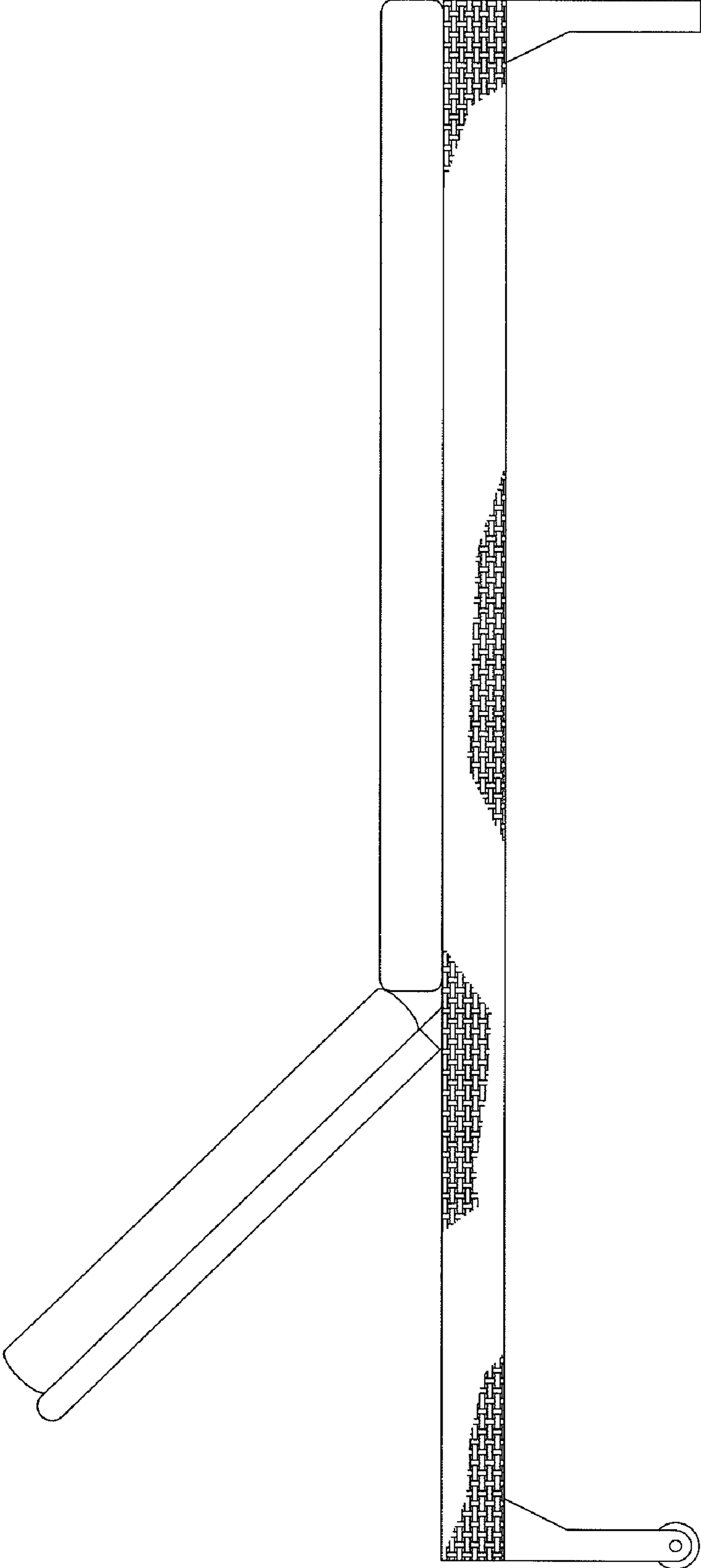


FIG. 2

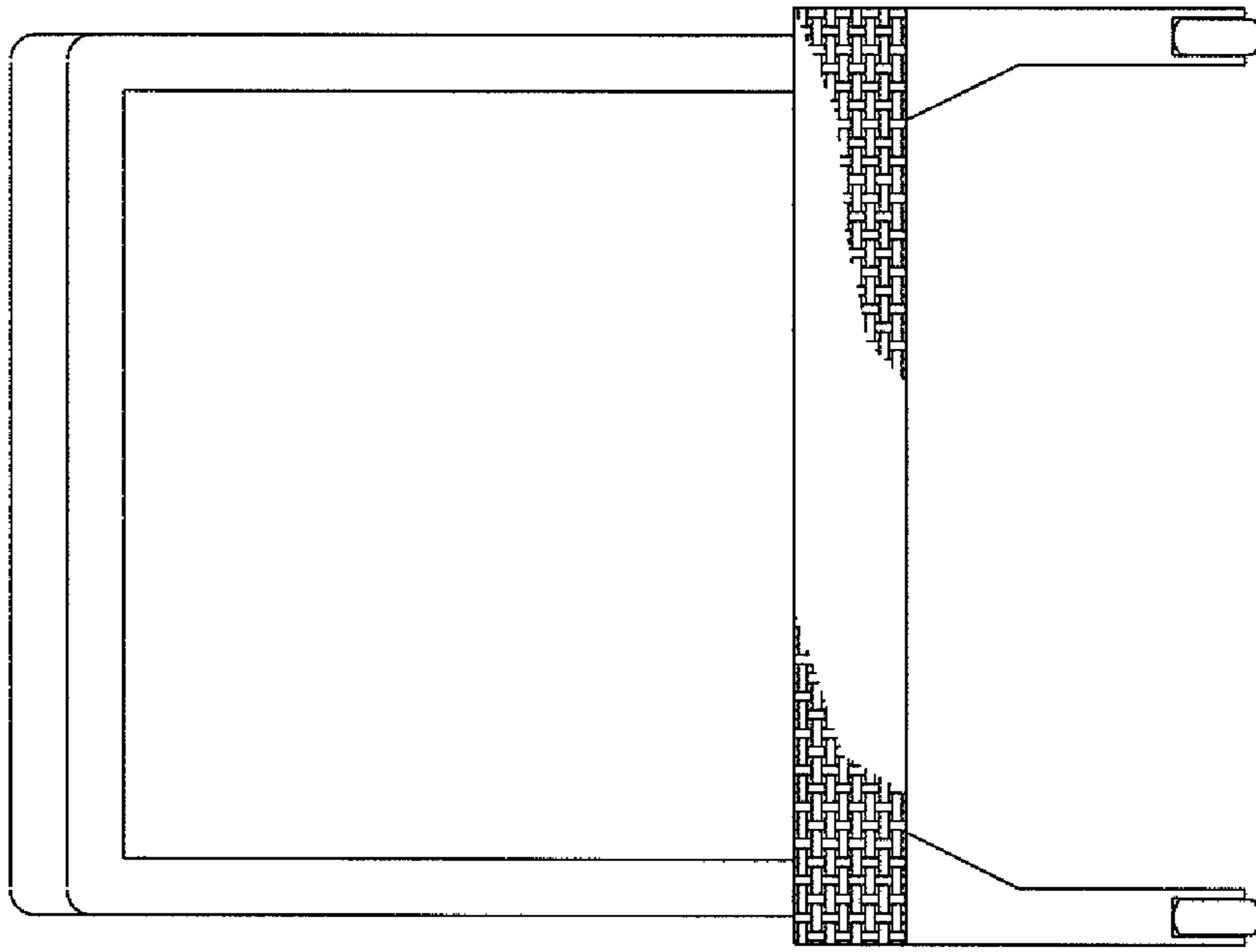


FIG. 4

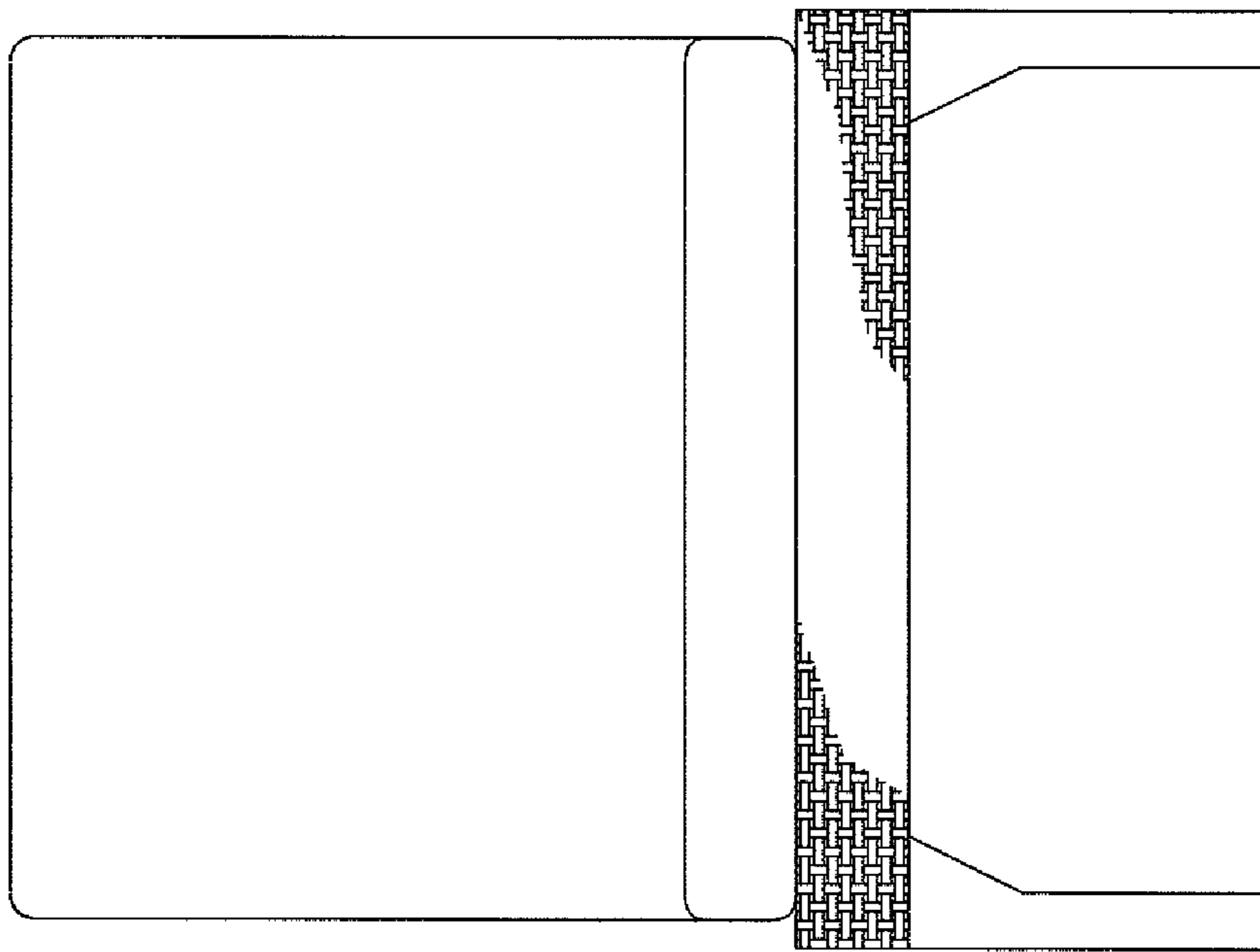


FIG. 3

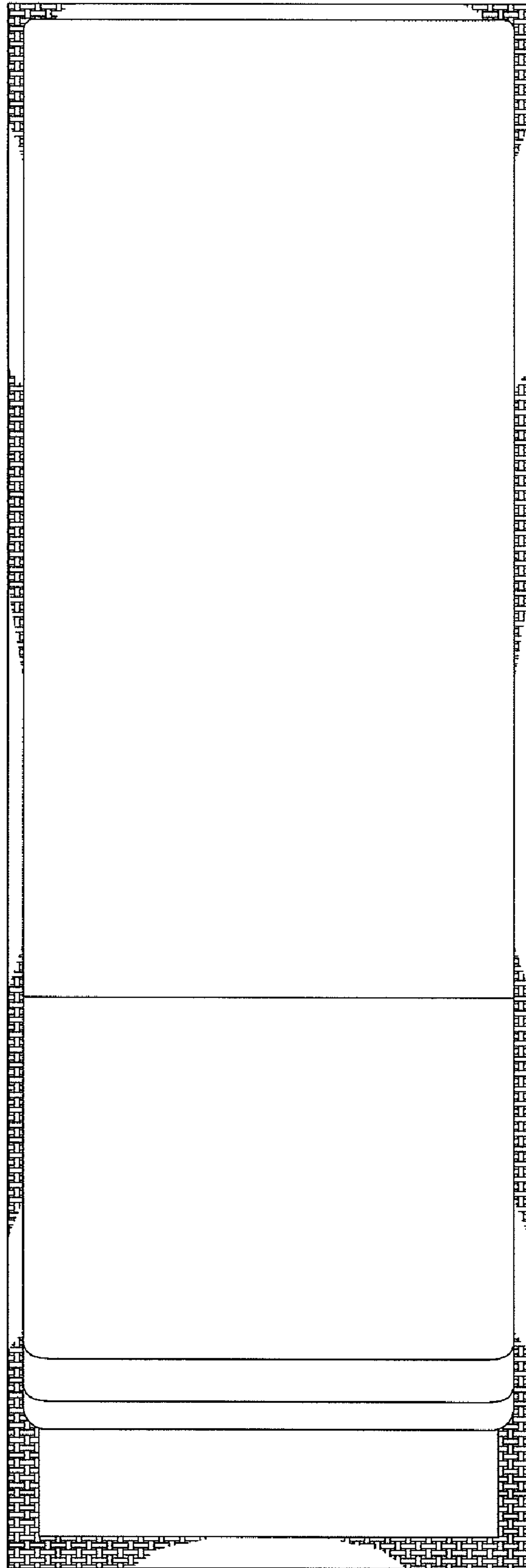


FIG. 5