



US00D657967S

(12) **United States Design Patent**
Spoelhof et al.

(10) **Patent No.:** **US D657,967 S**
(45) **Date of Patent:** **** Apr. 24, 2012**

(54) **SEATING UNIT**

(75) Inventors: **Mark William Spoelhof**, Grand Rapids, MI (US); **Alan Ernest Rheault**, Grand Rapids, MI (US)

(73) Assignee: **Steelcase Inc.**, Grand Rapids, MI (US)

(**) Term: **14 Years**

(21) Appl. No.: **29/398,834**

(22) Filed: **Aug. 5, 2011**

(51) **LOC (9) Cl.** **06-01**

(52) **U.S. Cl.** **D6/334**

(58) **Field of Classification Search** D6/334,
D6/335, 337, 374, 379, 380, 381, 491, 492,
D6/495, 500-502; 297/118, 300.1, 302.1,
297/311, 313, 353, 354.1, 445.1, 446.1, 446.2,
297/447.4, 464, 465, 900, DIG. 2, DIG. 7;
5/12.1, 12.2

See application file for complete search history.

(56) **References Cited**

U.S. PATENT DOCUMENTS

951,211	A	3/1910	Csiky	
D122,344	S	9/1940	Smith	
2,466,204	A	4/1949	Brown	
D173,625	S	12/1954	Maurer	
D177,366	S *	4/1956	Cutrow	D6/375
2,781,823	A	2/1957	Knabusch	
2,892,484	A	6/1959	Barabas	
D187,917	S *	5/1960	Spound	D6/334
3,179,466	A	4/1965	Garrett	
D222,451	S	10/1971	Lamb	
3,652,125	A	3/1972	Rogers, Jr.	

D231,878	S	6/1974	Kellum	
D251,761	S	5/1979	Long	
D260,826	S *	9/1981	Steinberger	D6/374
D261,702	S	11/1981	Whalen	
D276,670	S	12/1984	Tornero	
D277,346	S *	1/1985	Steinberger	D6/374
D278,581	S *	4/1985	Melchior	D6/373

(Continued)

Primary Examiner — Sandra Snapp

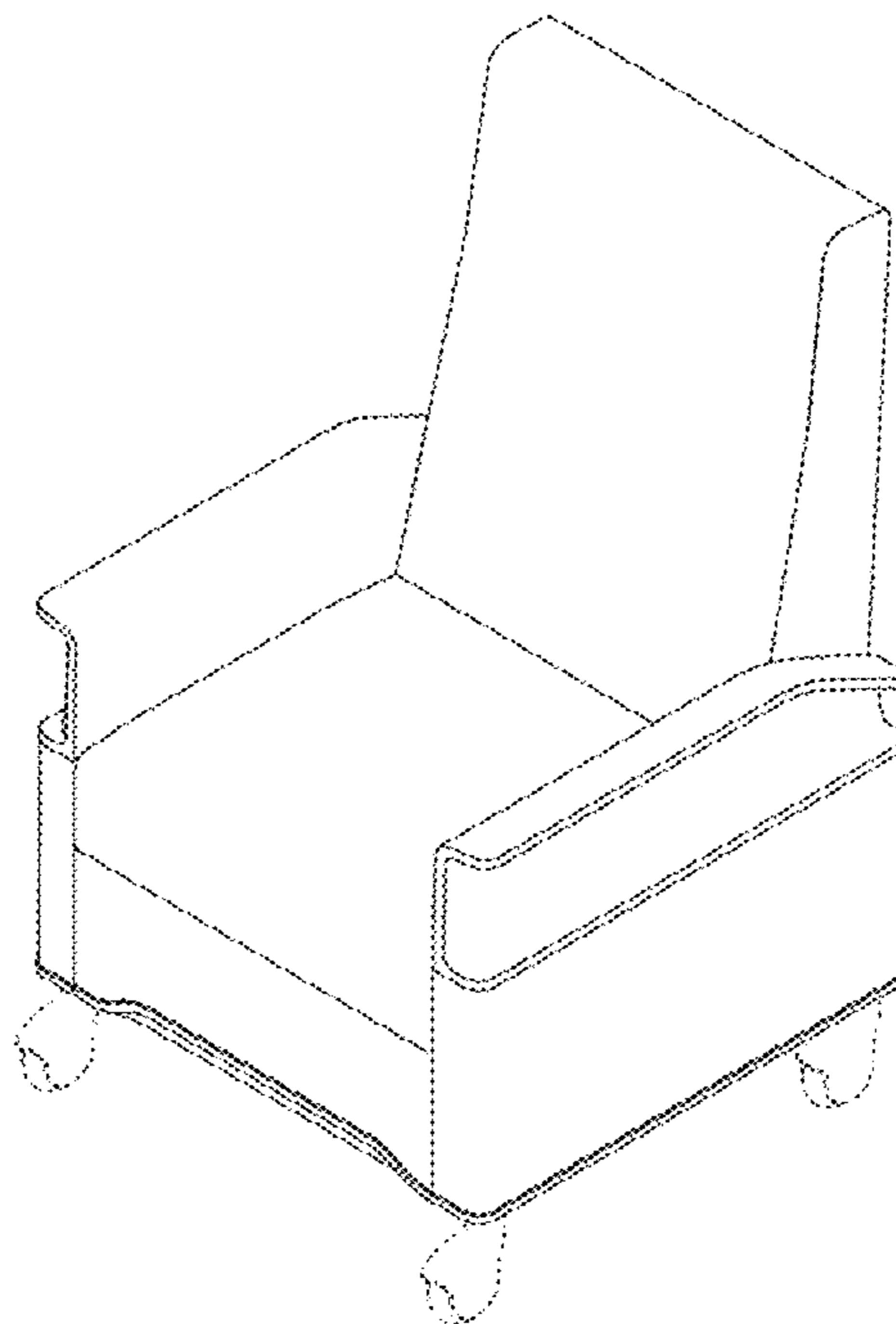
(57) **CLAIM**

We claim the ornamental design for a seating unit, as shown and described.

DESCRIPTION

FIG. 1 is a front perspective view of a seating unit according to a first embodiment;
 FIG. 2 is a rear perspective view of the seating unit of FIG. 1;
 FIG. 3 is a front view of the seating unit of FIG. 1;
 FIG. 4 is a rear view of the seating unit of FIG. 1;
 FIG. 5 is a side view of the seating unit of FIG. 1;
 FIG. 6 is a top view of the seating unit of FIG. 1;
 FIG. 7 is a bottom view of the seating unit of FIG. 1;
 FIG. 8 is a front perspective view of a seating unit, according to a second embodiment;
 FIG. 9 is a rear perspective view of the seating unit of FIG. 8;
 FIG. 10 is a front view of the seating unit of FIG. 8;
 FIG. 11 is a rear view of the seating unit of FIG. 8;
 FIG. 12 is a side view of the seating unit of FIG. 8;
 FIG. 13 is a top view of the seating unit of FIG. 8; and,
 FIG. 14 is a bottom view of the seating unit of FIG. 8.
 The dashed lines and broken lines are for purposes of illustrating environmental structure and form no part of the claimed design.

1 Claim, 14 Drawing Sheets



US D657,967 S

Page 2

U.S. PATENT DOCUMENTS

D288,505 S	3/1987	Yamasaki	
D302,079 S *	7/1989	Goldman	D6/361
D303,326 S *	9/1989	Heimberger	D6/334
D318,183 S *	7/1991	Fister, Jr.	D6/334
D318,576 S *	7/1991	Fister, Jr.	D6/334
D336,376 S	6/1993	Hollington	
D338,113 S	8/1993	Laird	
D340,142 S	10/1993	Totoro	
D341,728 S	11/1993	Grosfillex	
D358,493 S *	5/1995	Ginat	D6/334
D364,971 S	12/1995	Sterlacci	
D372,800 S	8/1996	Yamasaki	
D376,483 S	12/1996	Yamasaki	
D392,469 S *	3/1998	De Blaay	D6/334
D416,395 S	11/1999	George	
D417,558 S	12/1999	Staubach	
D429,900 S *	8/2000	Minami	D6/334
D430,740 S	9/2000	Chun	
D433,243 S	11/2000	Garcia	
D442,375 S	5/2001	Stammberger	
D443,991 S	6/2001	Picotti	
D451,688 S *	12/2001	Cramer	D6/334
D458,466 S	6/2002	McCairley	
D462,845 S	9/2002	Canto Garcia	
D468,543 S *	1/2003	O'Hare et al.	D6/334
D475,539 S *	6/2003	Savini	D6/334
D488,933 S *	4/2004	Neggens	D6/334
6,739,651 B1	5/2004	Barefoot	
D498,070 S *	11/2004	Sauer	D6/373
D504,782 S *	5/2005	Moser	D6/334
D506,092 S *	6/2005	Moser	D6/492
6,948,777 B2	9/2005	Marshall	
D510,666 S	10/2005	Pimental	
D531,424 S	11/2006	Kusachi	
D532,984 S	12/2006	Bernett	
D535,124 S	1/2007	Garcia	
D541,064 S	4/2007	Miller	
D543,716 S	6/2007	Votteler	
D551,869 S	10/2007	Zambelli	
D558,468 S *	1/2008	Lade	D6/334
D558,469 S *	1/2008	Lade	D6/334
D586,138 S	2/2009	Potter	
7,510,243 B1	3/2009	Hung	
D602,704 S	10/2009	Tierney	
D606,325 S	12/2009	Gharabegian	
D616,215 S	5/2010	Andersen	
D622,516 S	8/2010	Delmestri	
D626,756 S	11/2010	Flender	
D633,725 S *	3/2011	Massaud	D6/334

* cited by examiner

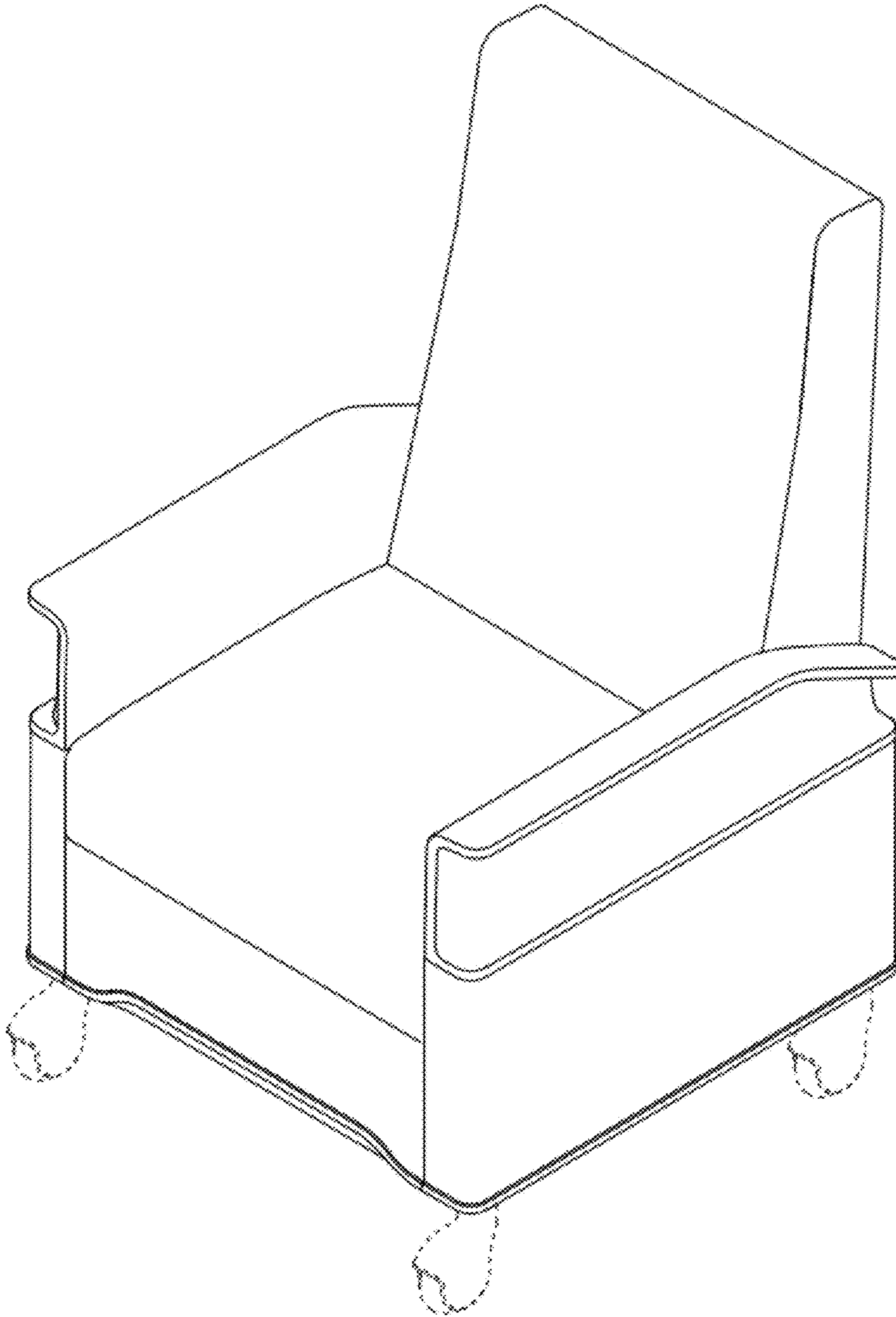


FIG. 1

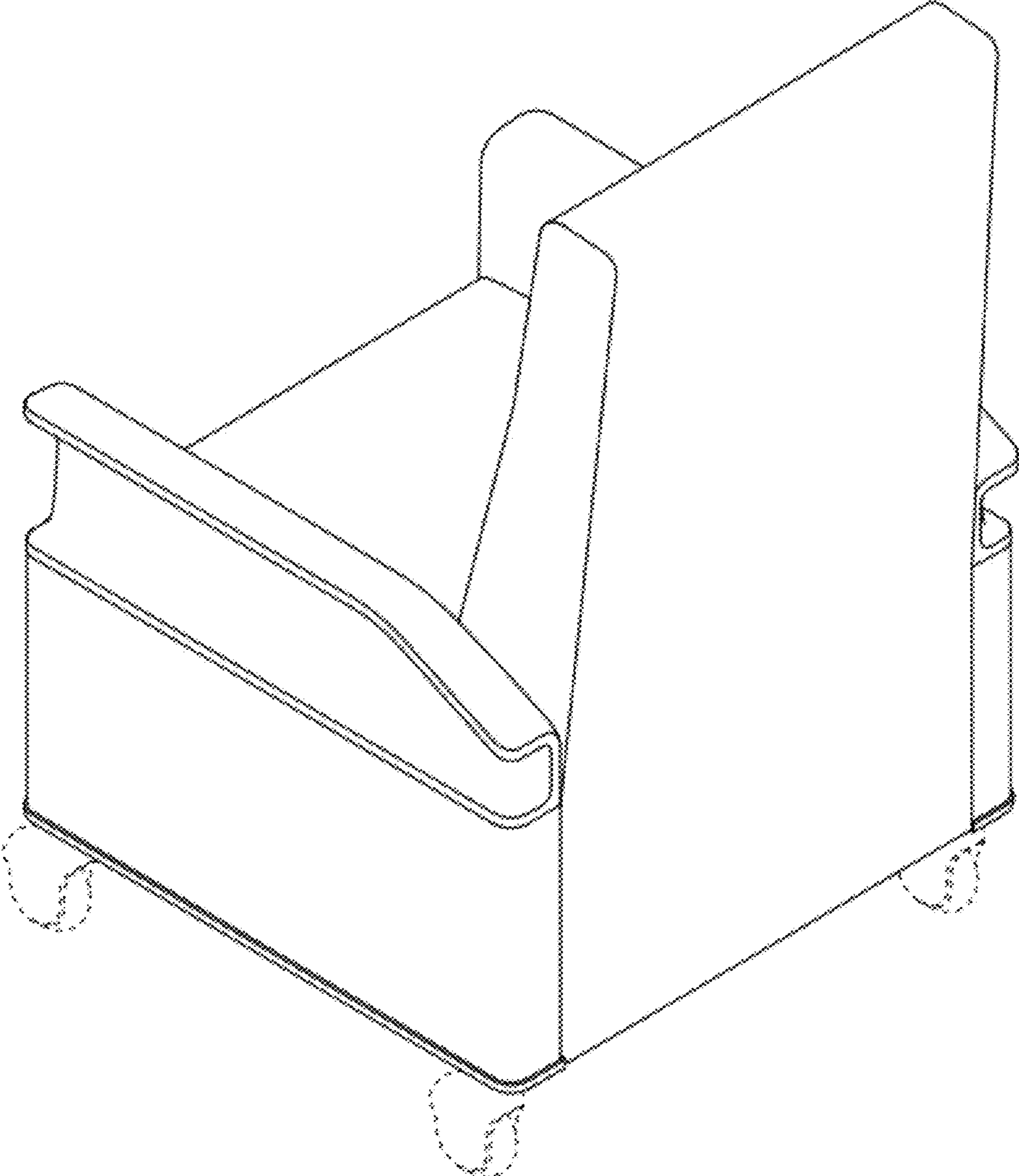


FIG. 2

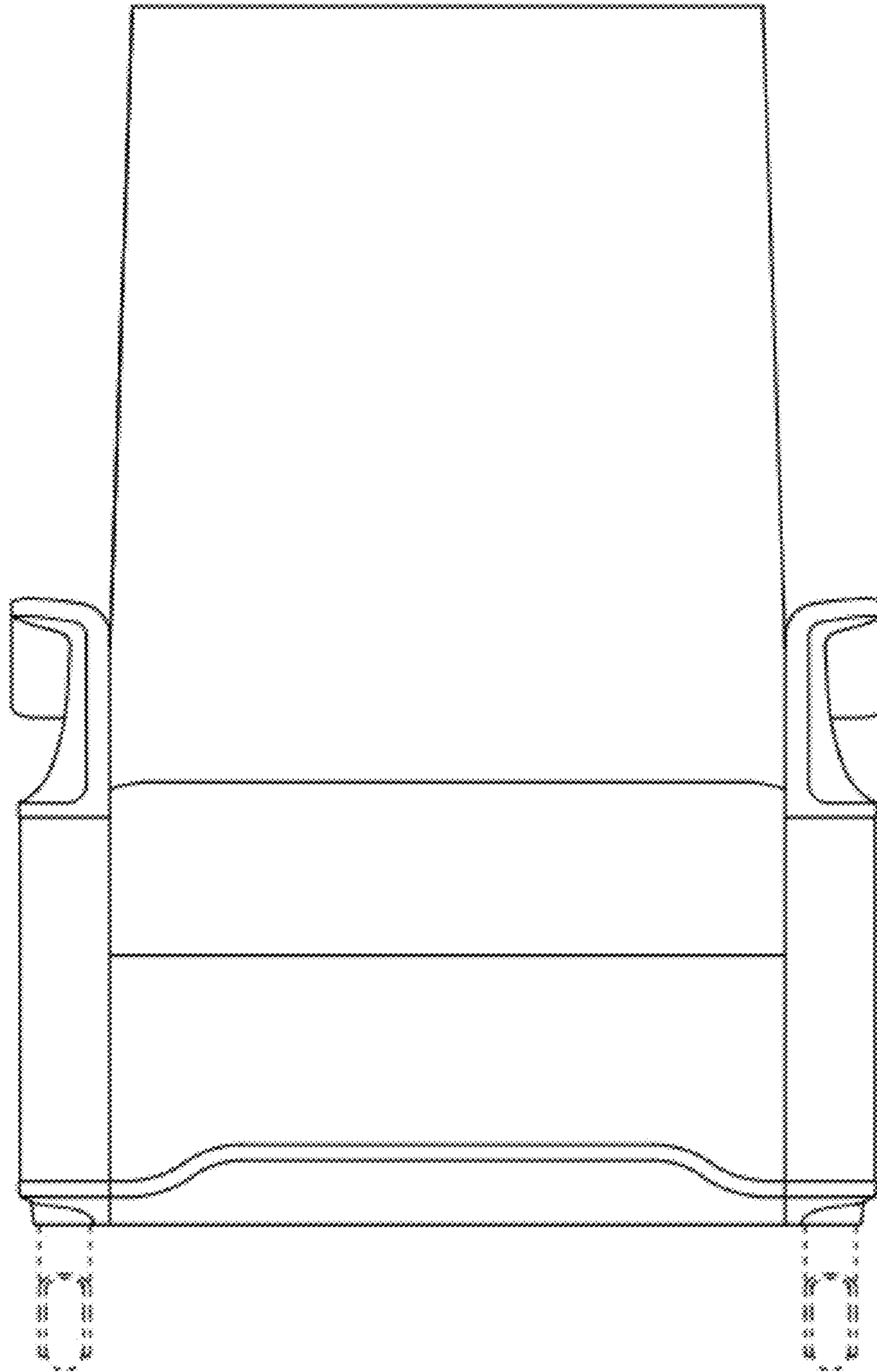


FIG. 3

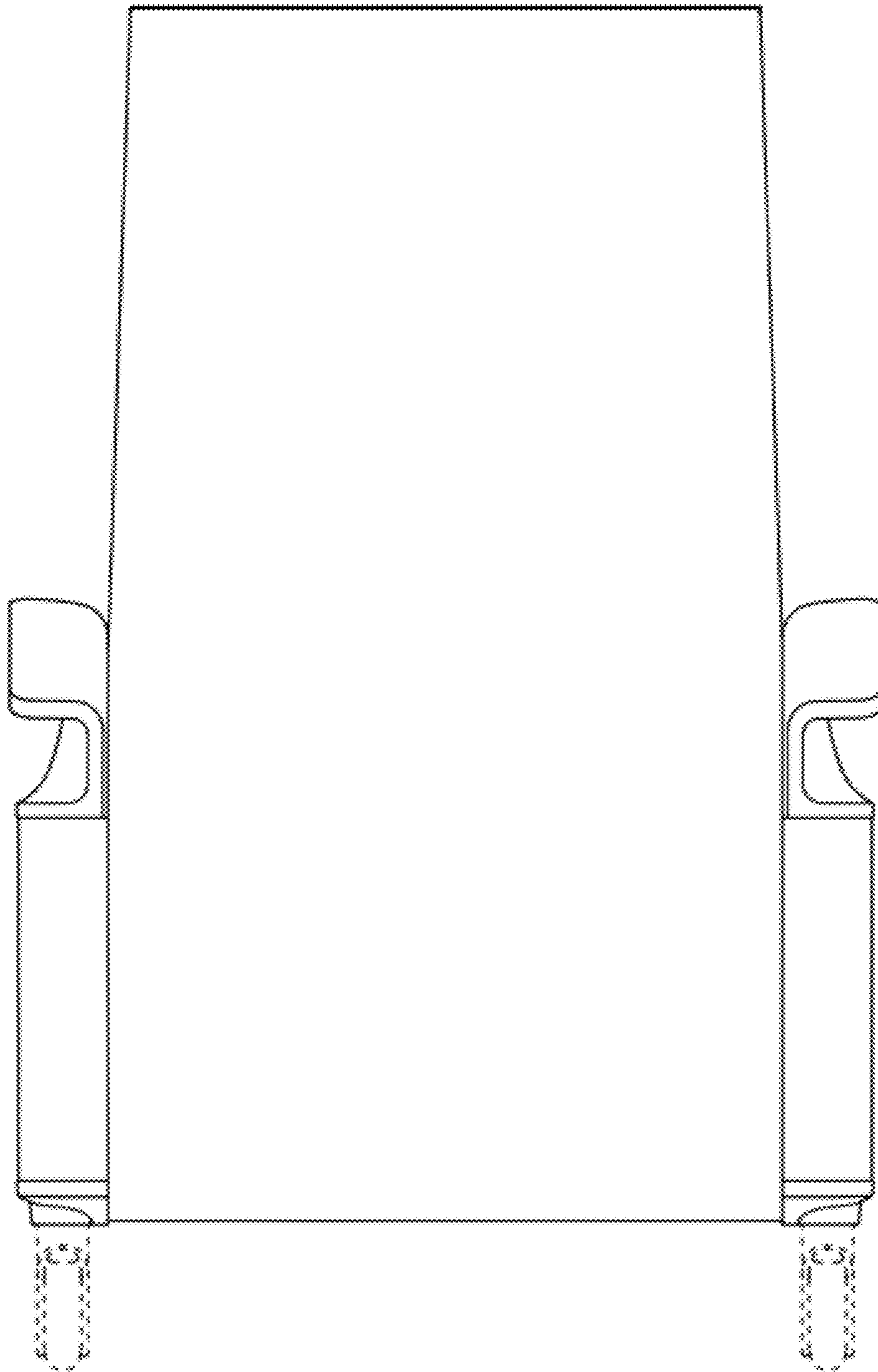


FIG. 4

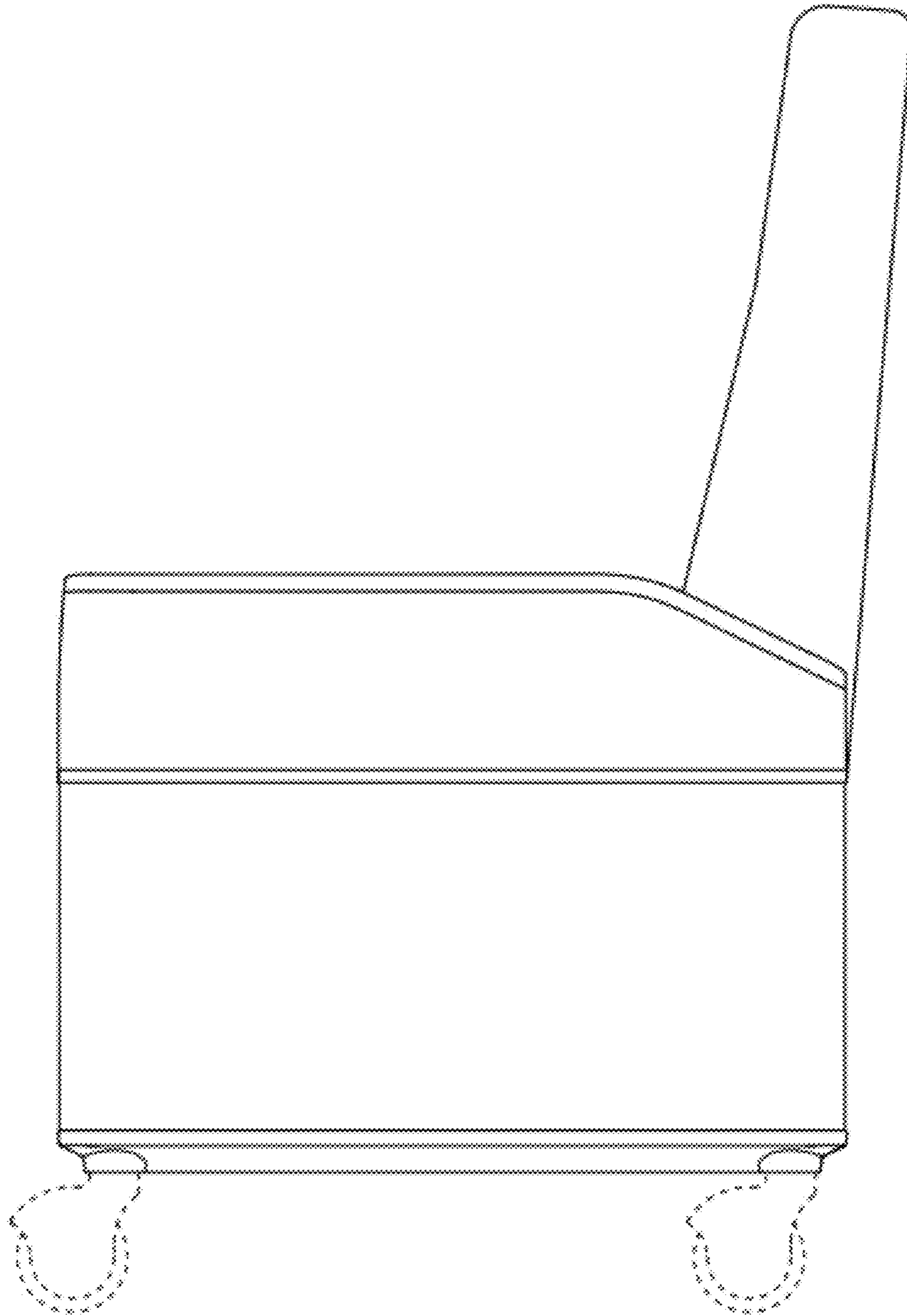


FIG. 5

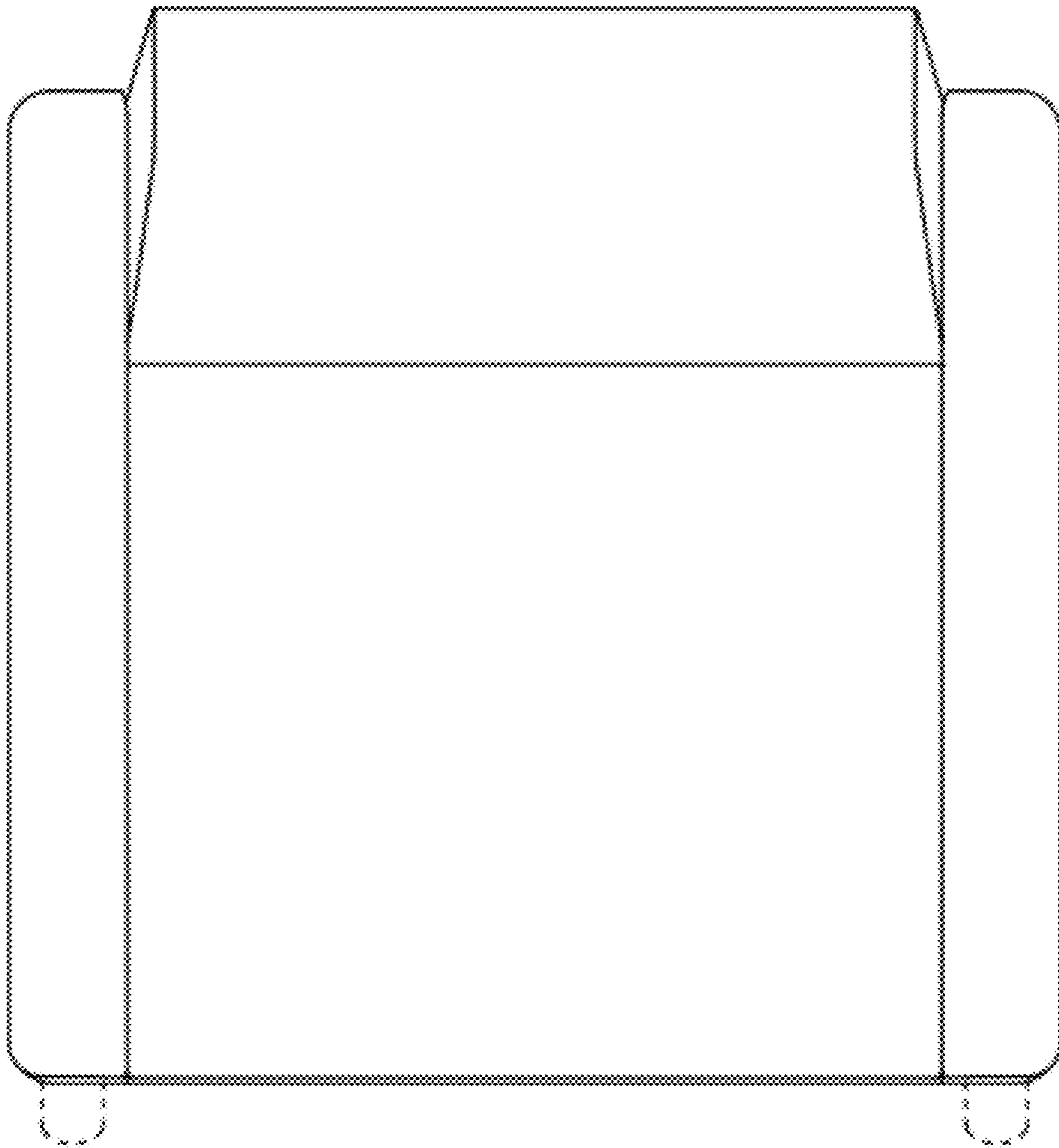


FIG. 6

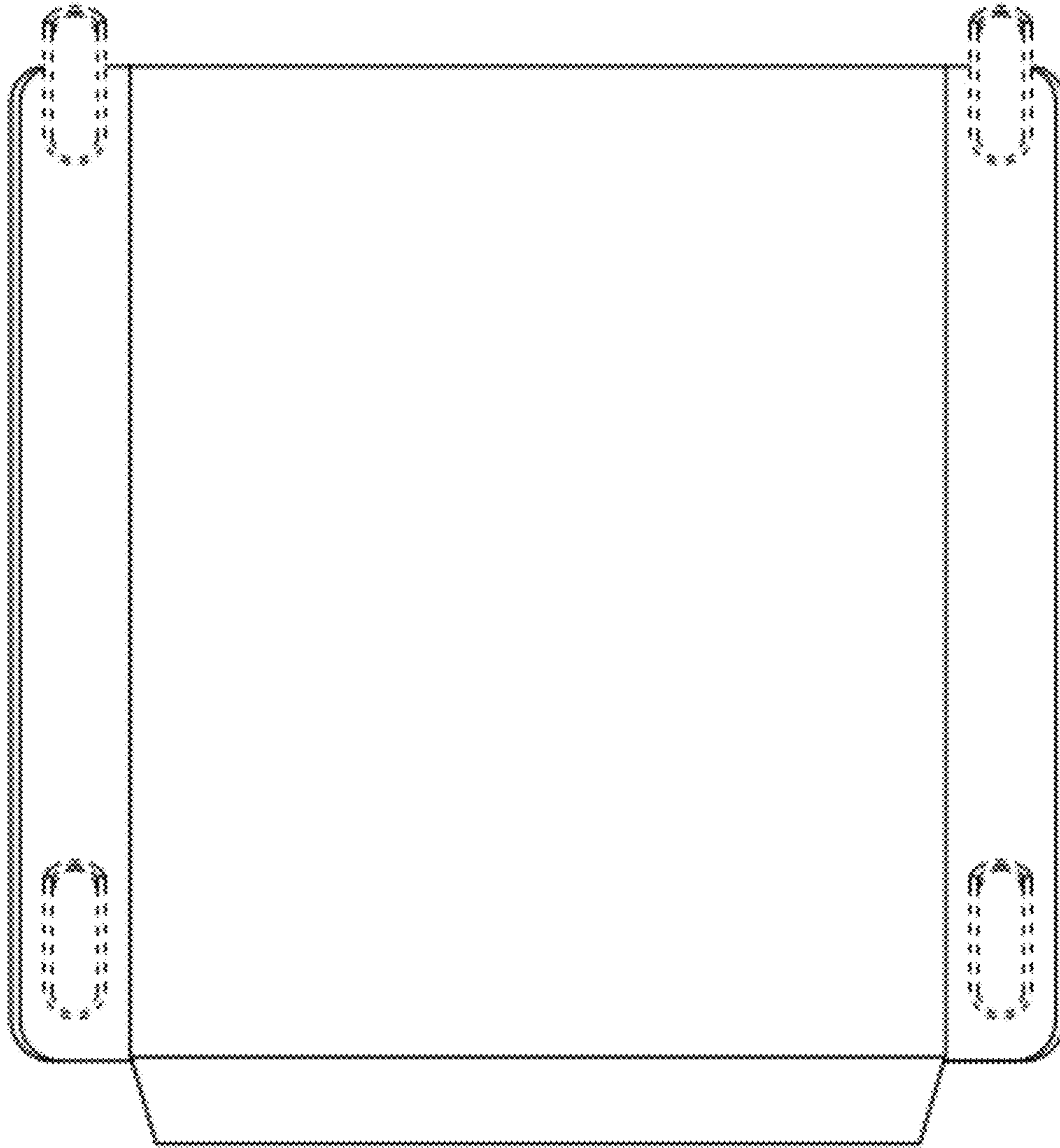


FIG. 7

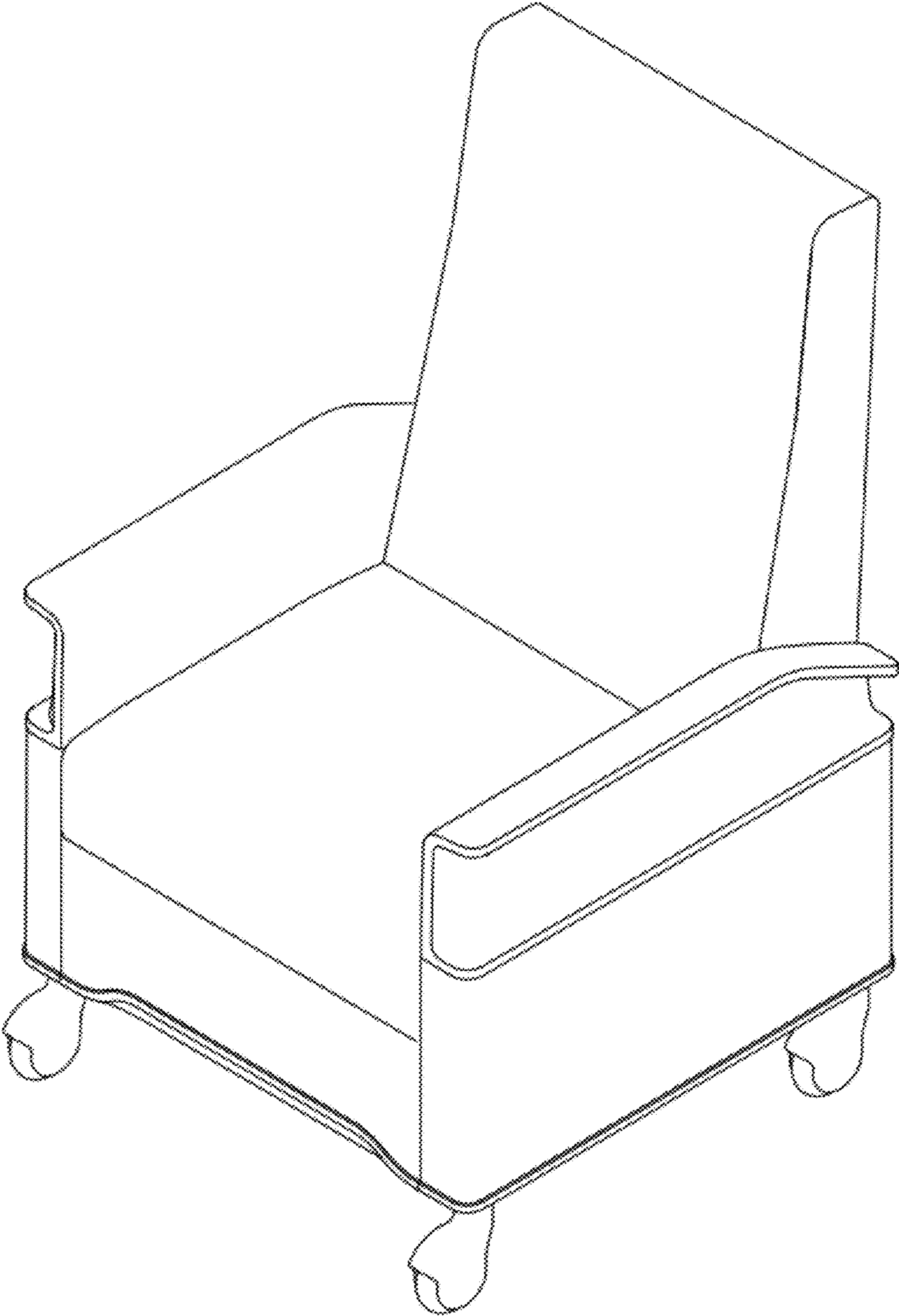


FIG. 8

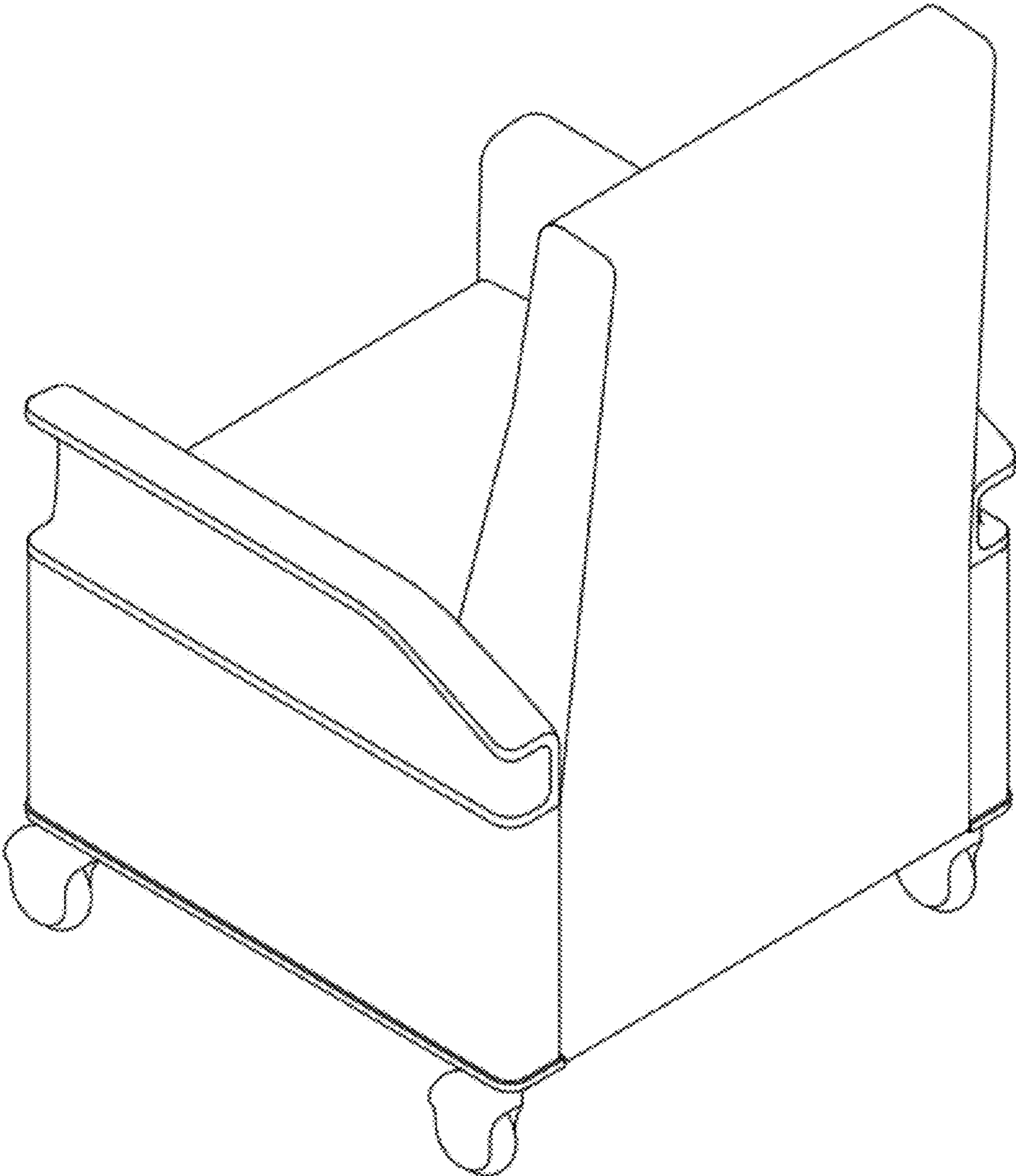


FIG. 9

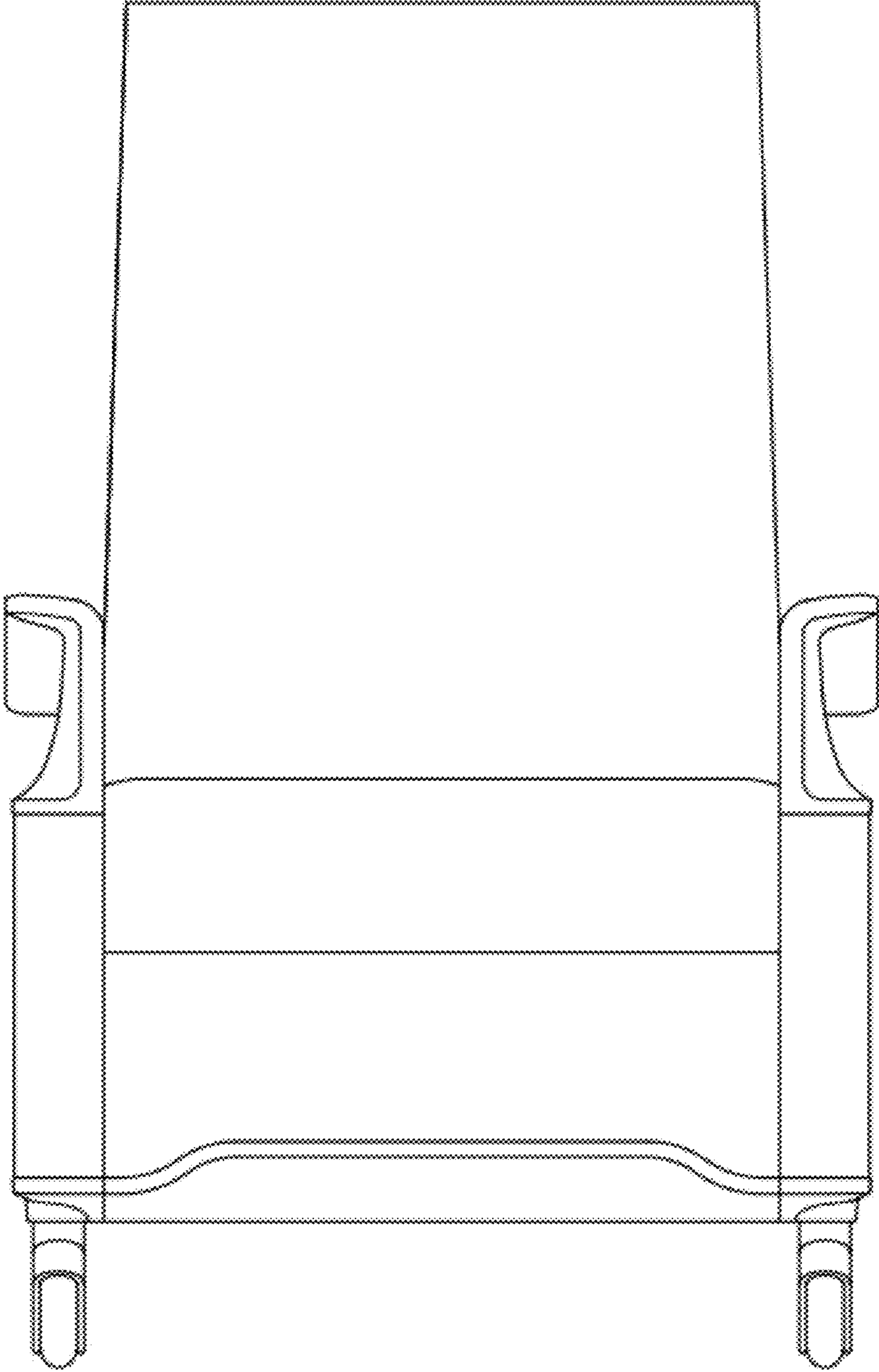


FIG. 10

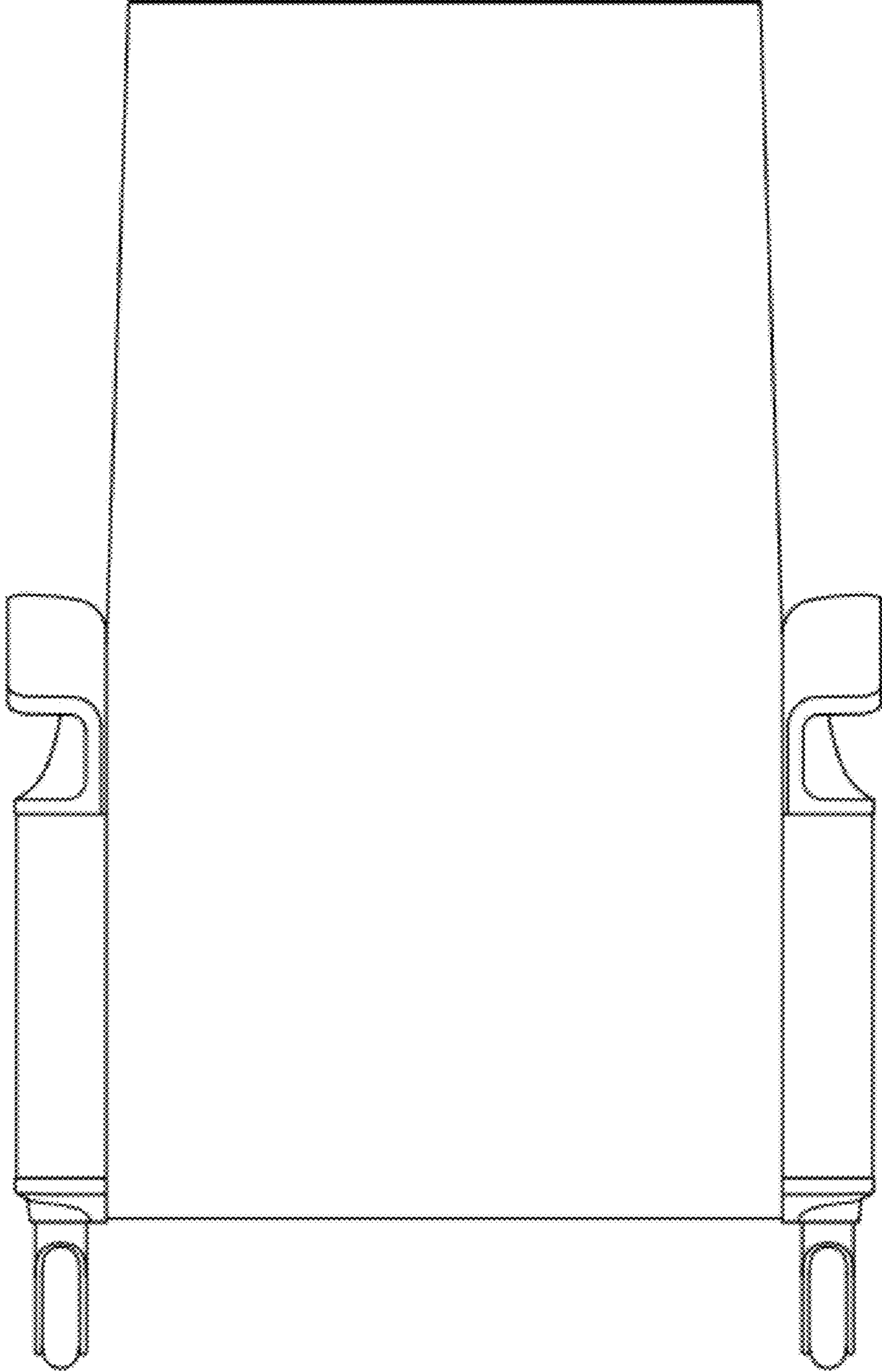


FIG. 11

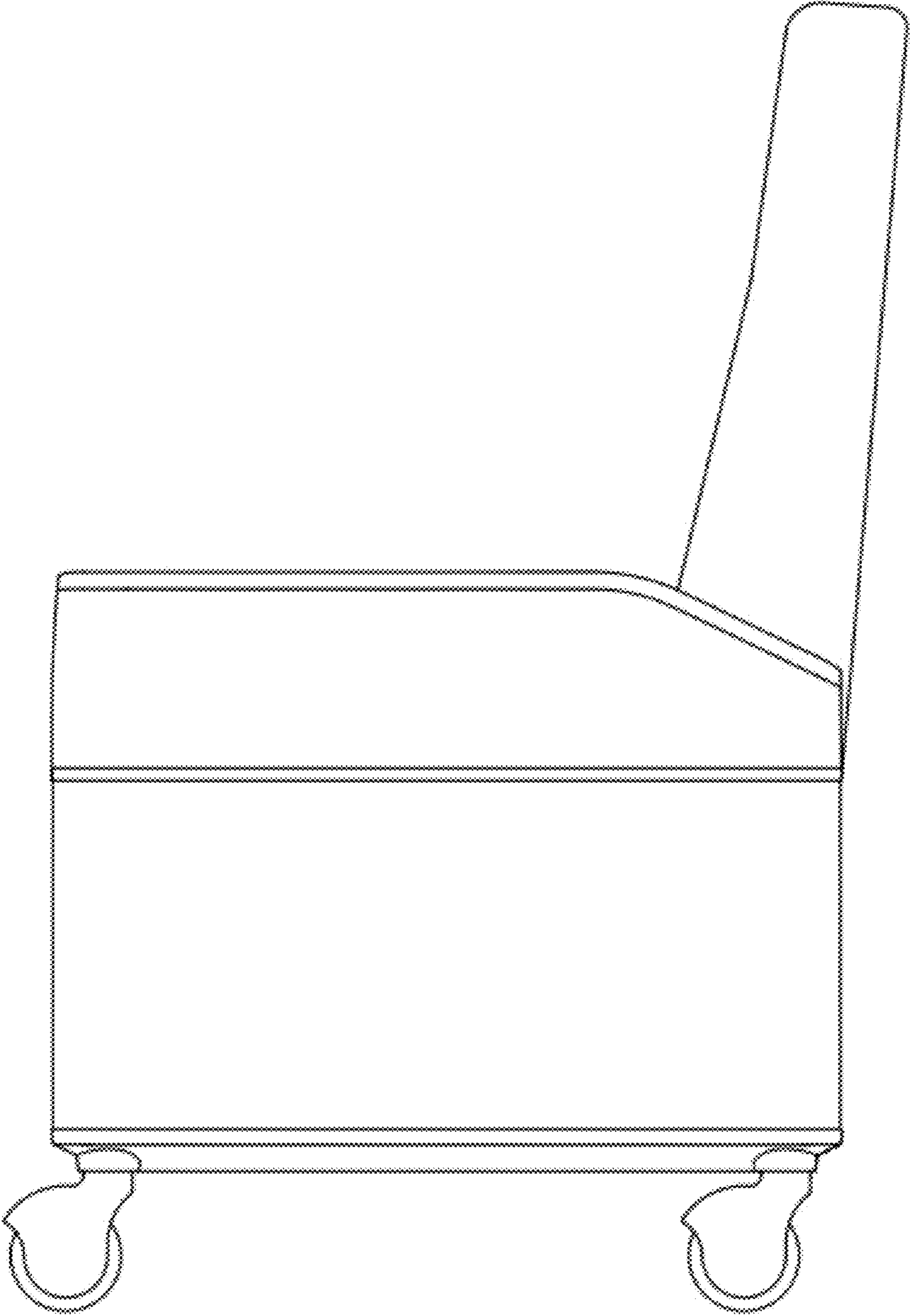


FIG. 12

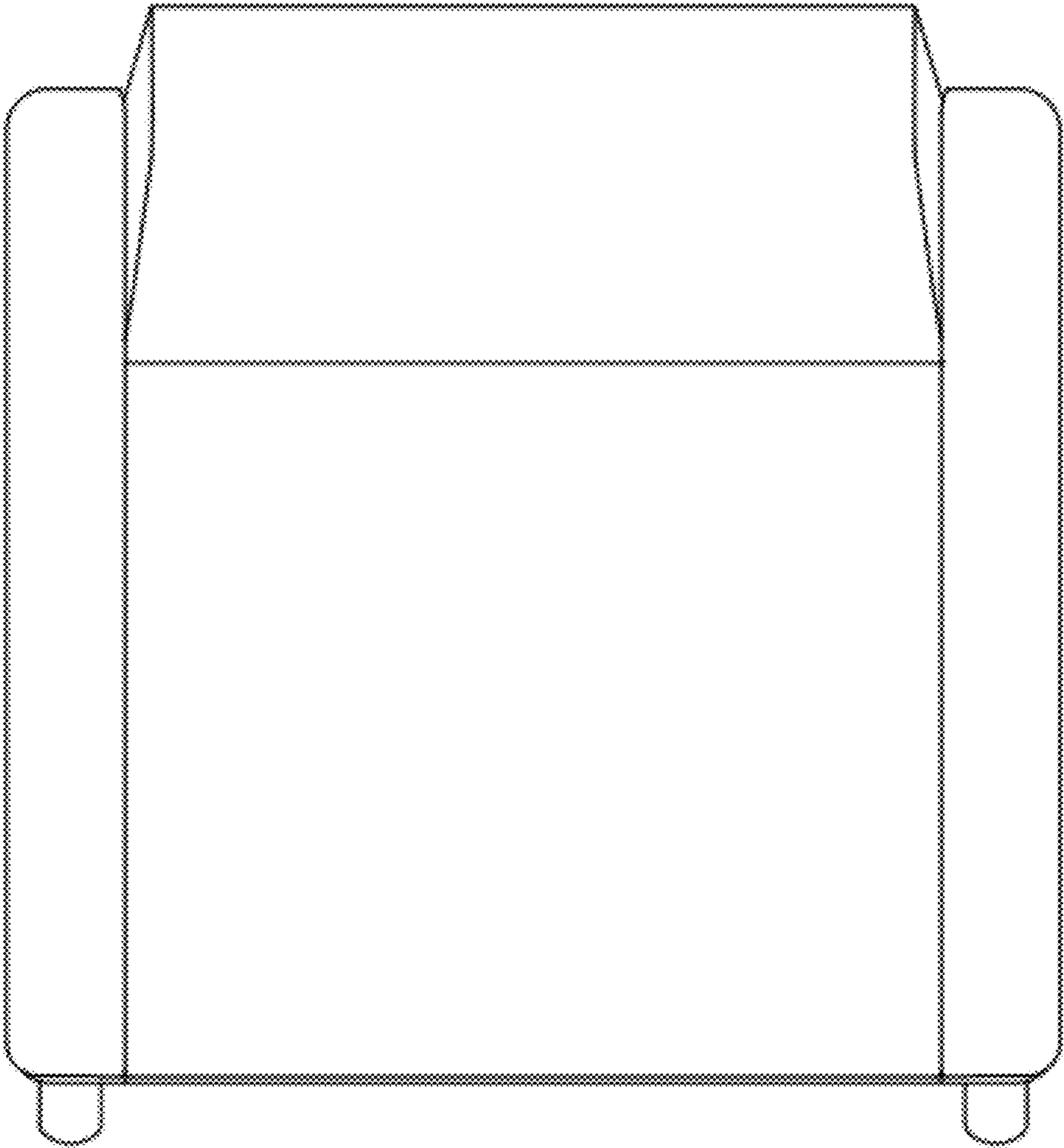


FIG. 13

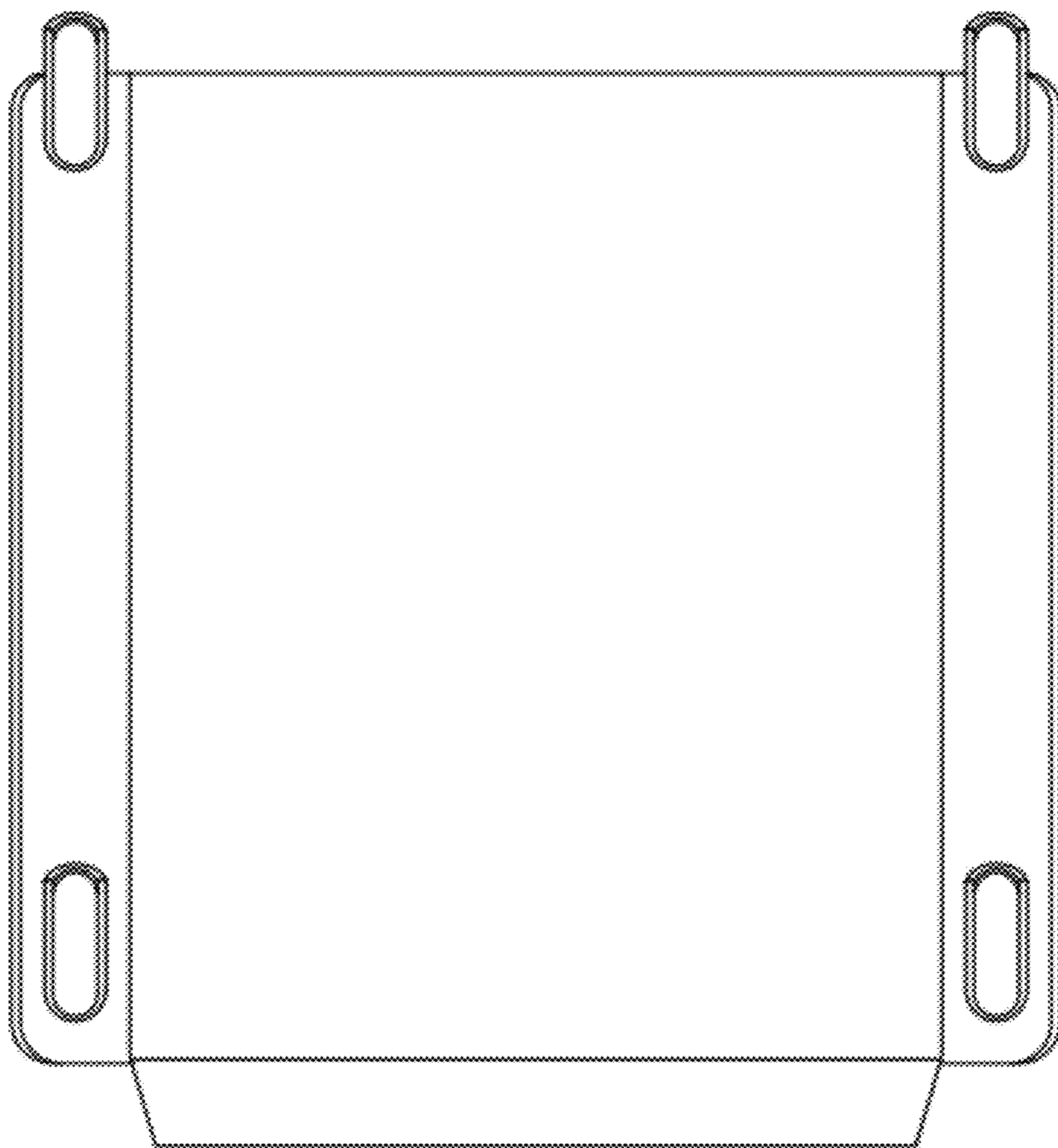


FIG. 14