



US00D657955S

(12) **United States Design Patent**
Morris

(10) **Patent No.:** **US D657,955 S**

(45) **Date of Patent:** **** Apr. 24, 2012**

(54) **PAINTING DEVICE**

(76) Inventor: **LaMont C. Morris**, Warwick, RI (US)

(**) Term: **14 Years**

(21) Appl. No.: **29/405,309**

(22) Filed: **Nov. 1, 2011**

(51) **LOC (9) Cl.** **04-01**

(52) **U.S. Cl.** **D4/122**

(58) **Field of Classification Search** D15/138;
D4/122, 116; 15/230.11, 230.14, 230, 150,
15/248.2, 236.03; 492/13, 17, 19, 24, 29;
401/11; 118/258; D32/51

See application file for complete search history.

(56) **References Cited**

U.S. PATENT DOCUMENTS

D248,416	S	*	7/1978	Lupkes	D4/116
D284,237	S	*	6/1986	Cliche	D4/122
D323,727	S	*	2/1992	Re	D32/51
D332,009	S	*	12/1992	Kiefer	D4/122
D336,370	S	*	6/1993	Hunt	D4/116
6,141,821	A	*	11/2000	Chin	15/230.11
D459,587	S	*	7/2002	Newman et al.	D4/122

7,003,844	B1	*	2/2006	Mosby-Pinkney	15/104.002
D638,222	S	*	5/2011	Molinet et al.	D4/122
8,025,022	B1	*	9/2011	Morris	118/258

* cited by examiner

Primary Examiner — Austin Murphy

(74) *Attorney, Agent, or Firm* — Salter & Michaelson

(57) **CLAIM**

The ornamental design for a painting device, as shown and described.

DESCRIPTION

FIG. 1 is a perspective view of a painting device showing my new design;

FIG. 2 is an exploded perspective view thereof;

FIG. 3 is a perspective view without the roller in place thereof;

FIG. 4 is a front elevational view thereof;

FIG. 5 is a rear elevational view thereof;

FIG. 6 is a top plan view thereof;

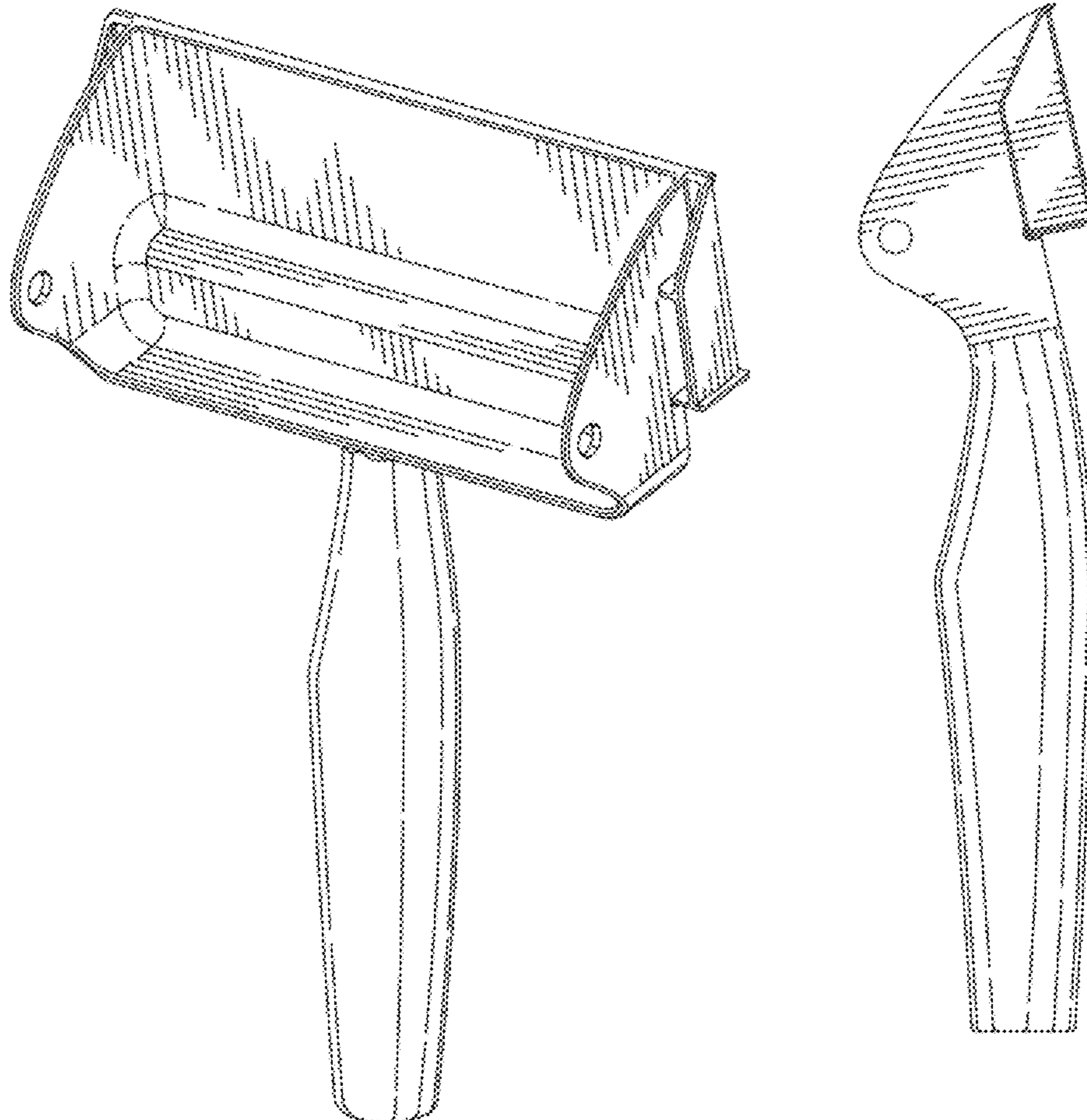
FIG. 7 is bottom plan view thereof;

FIG. 8 is a right side elevational view thereof; and,

FIG. 9 is a left side elevational view thereof.

The portions shown in broken lines are included for illustrative purposes only and form no part of the claimed design.

1 Claim, 9 Drawing Sheets



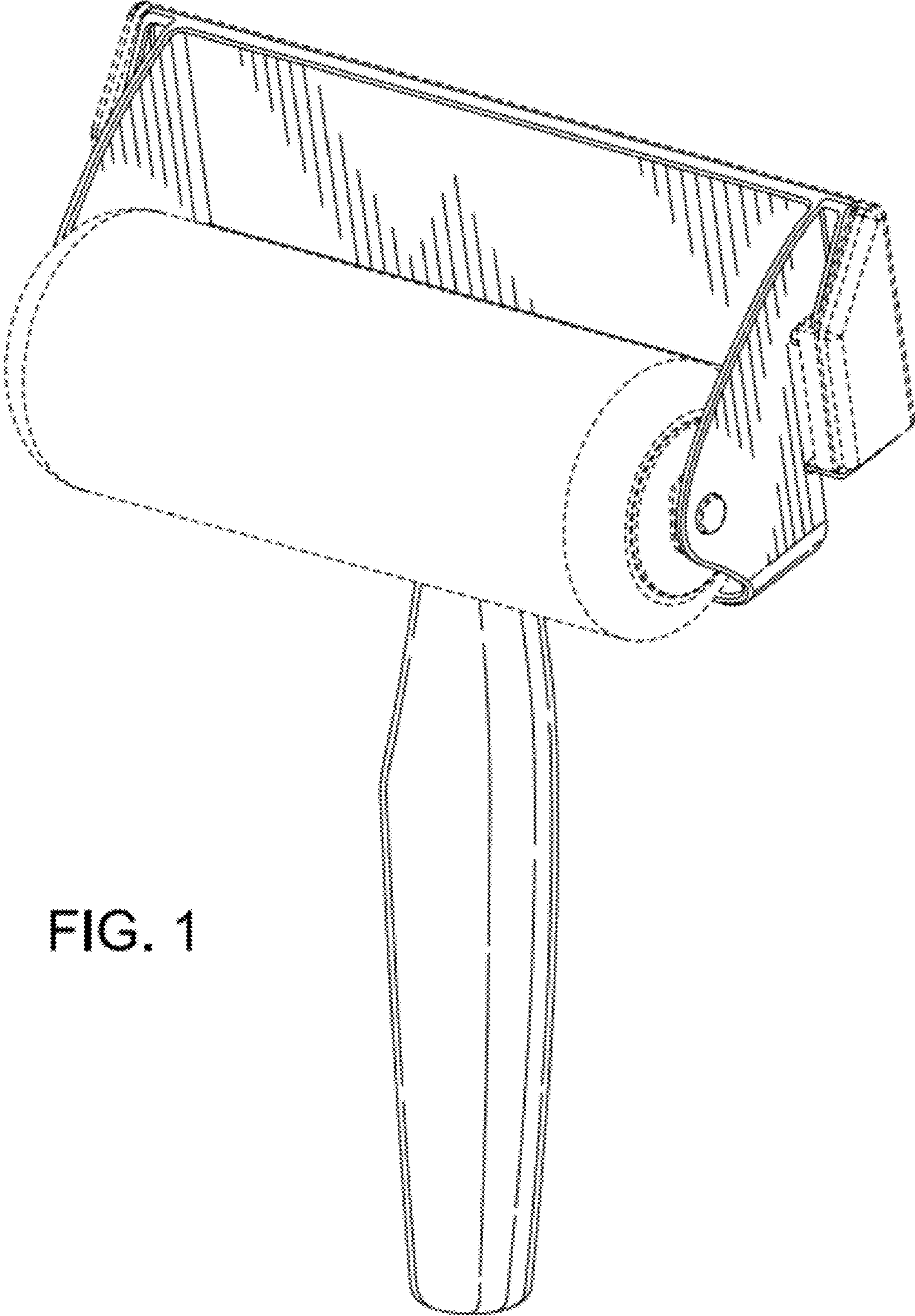


FIG. 1

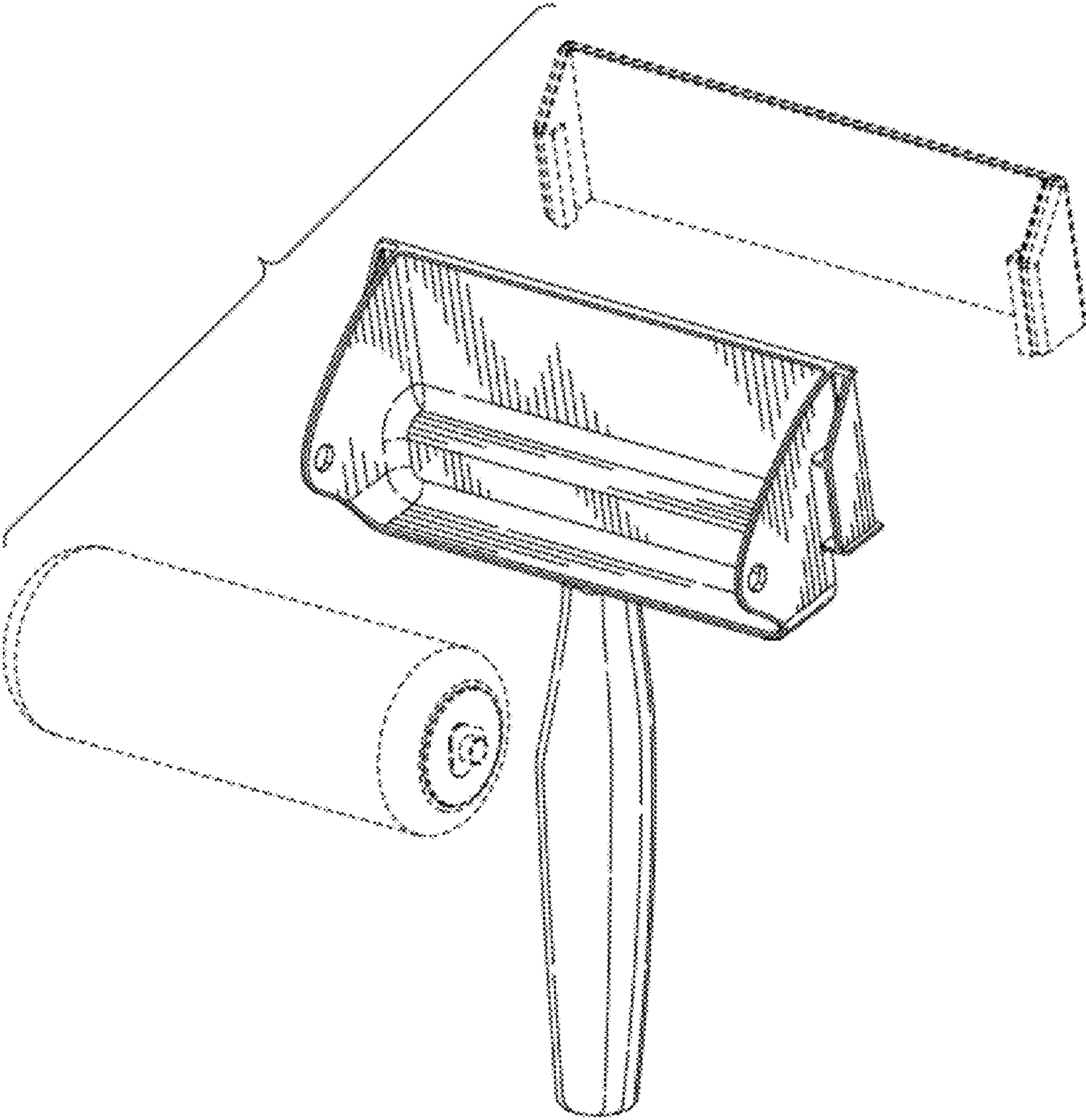


FIG. 2

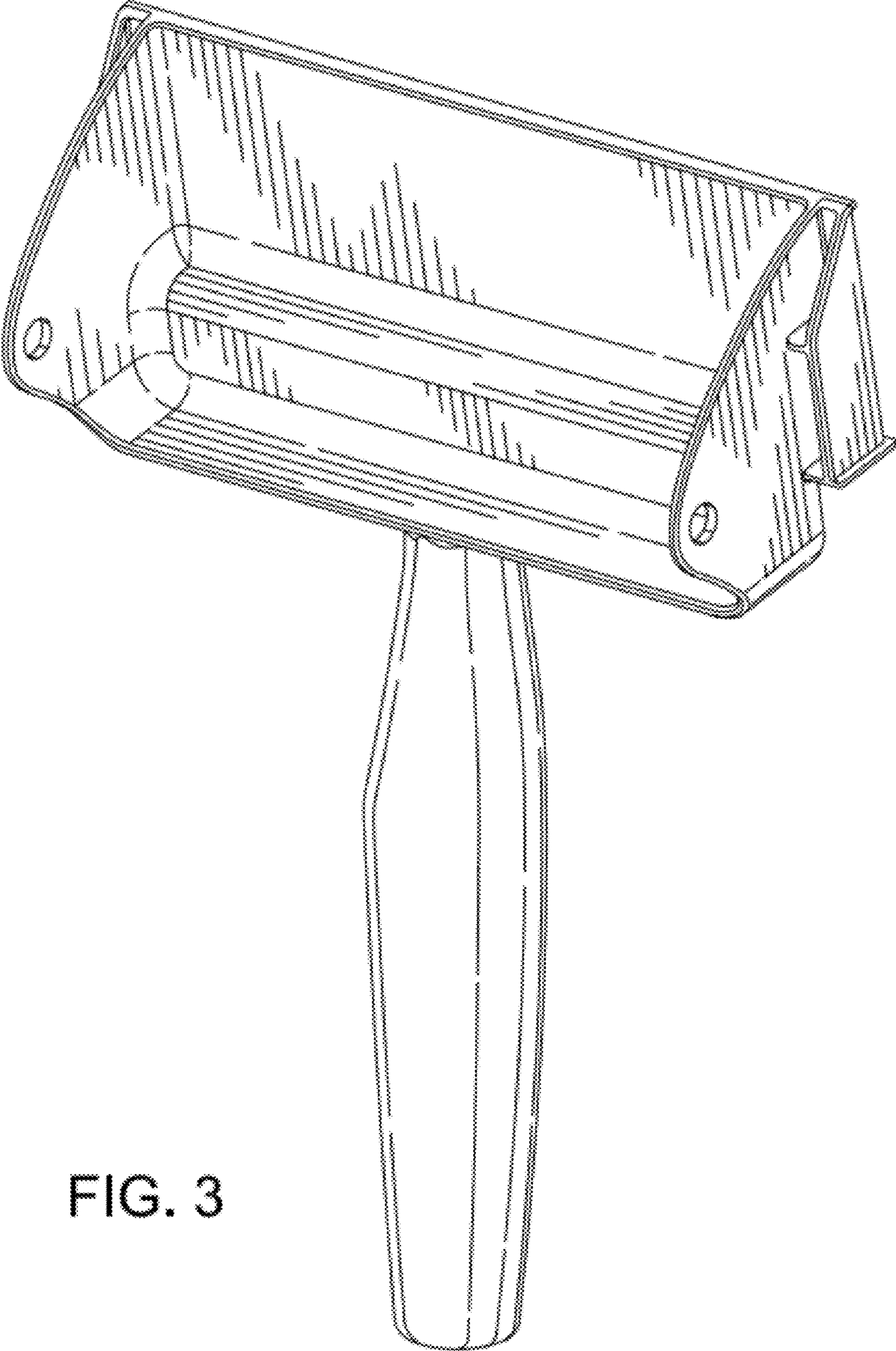


FIG. 3

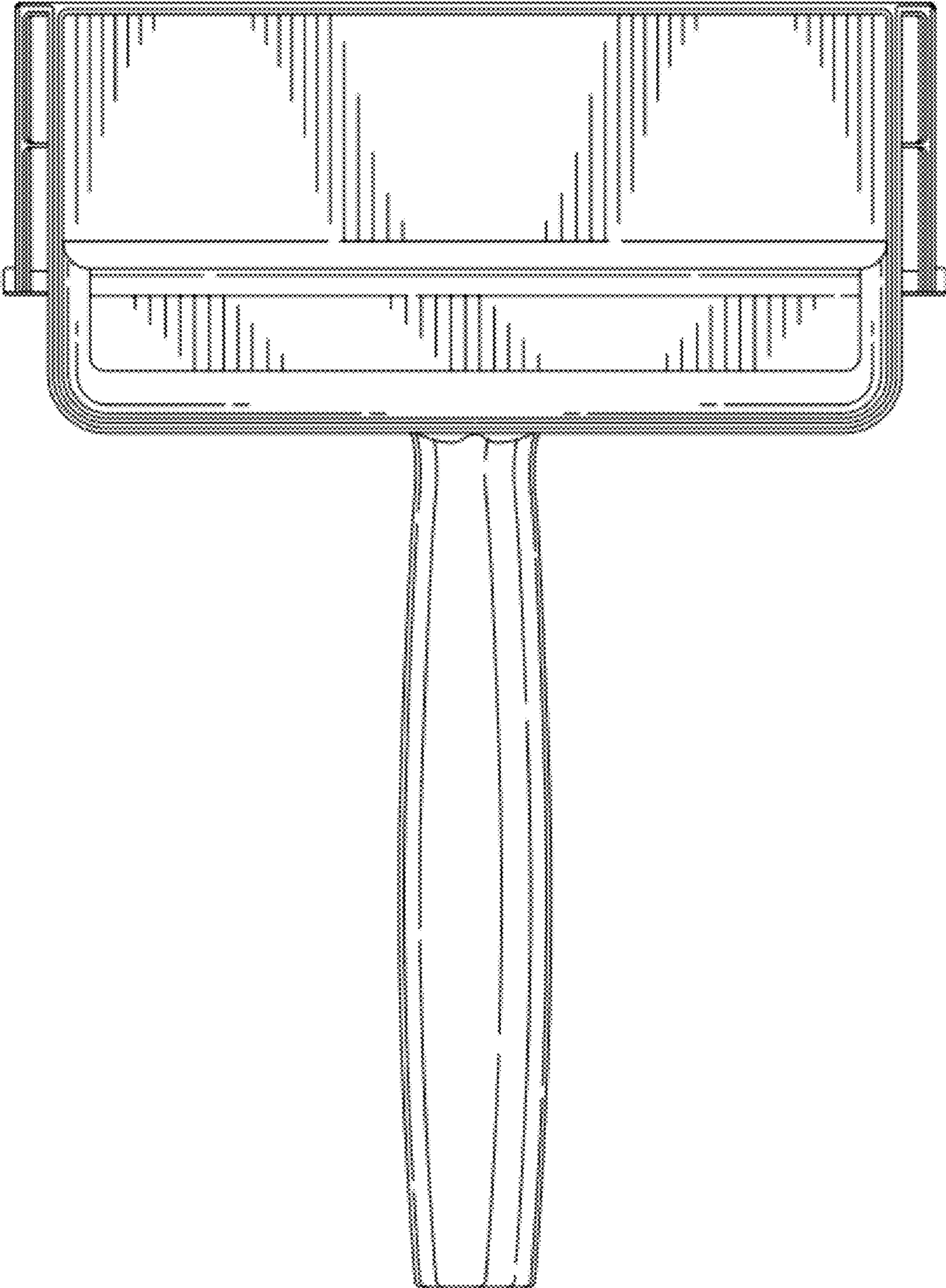


FIG. 4

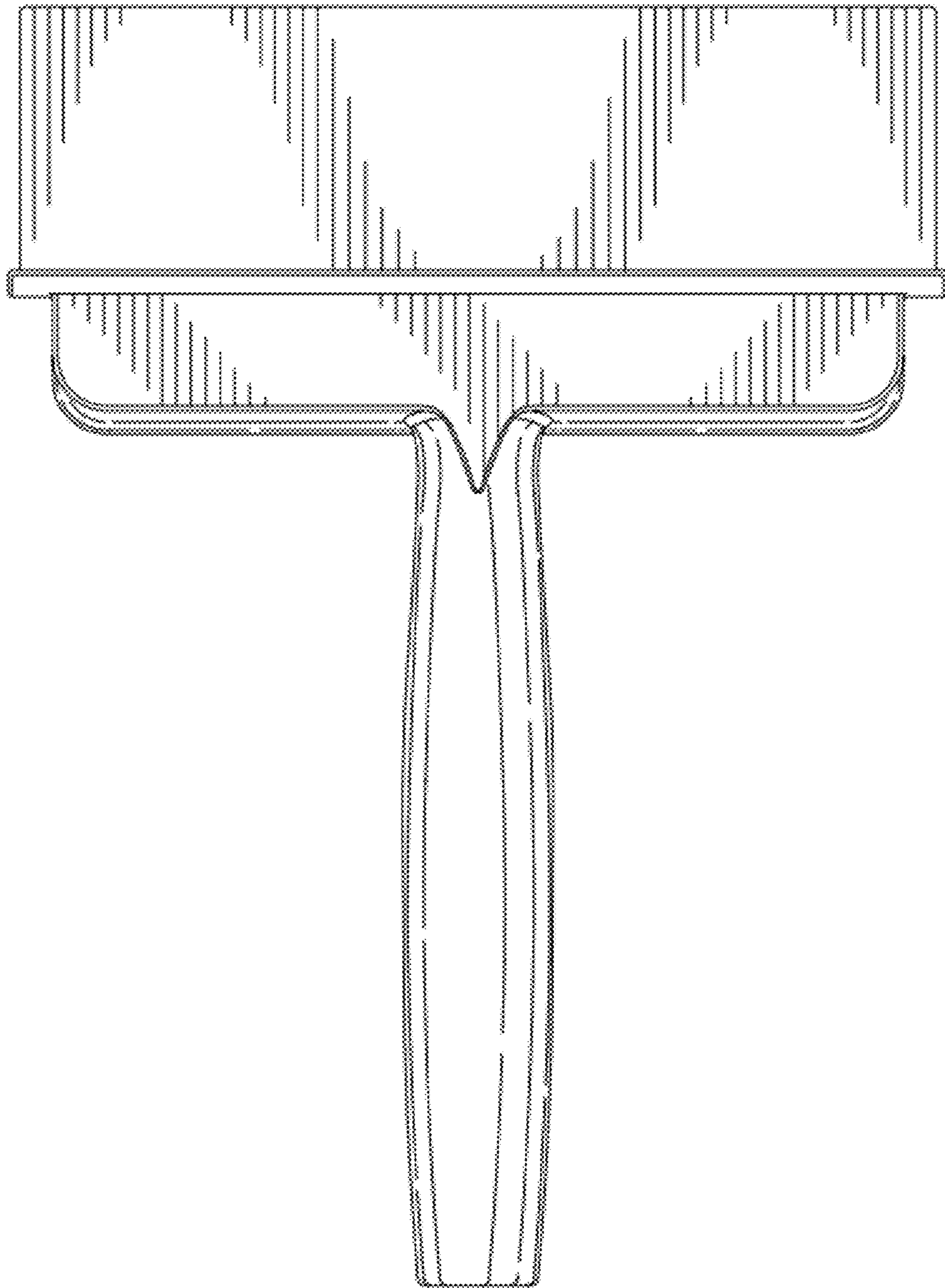


FIG. 5

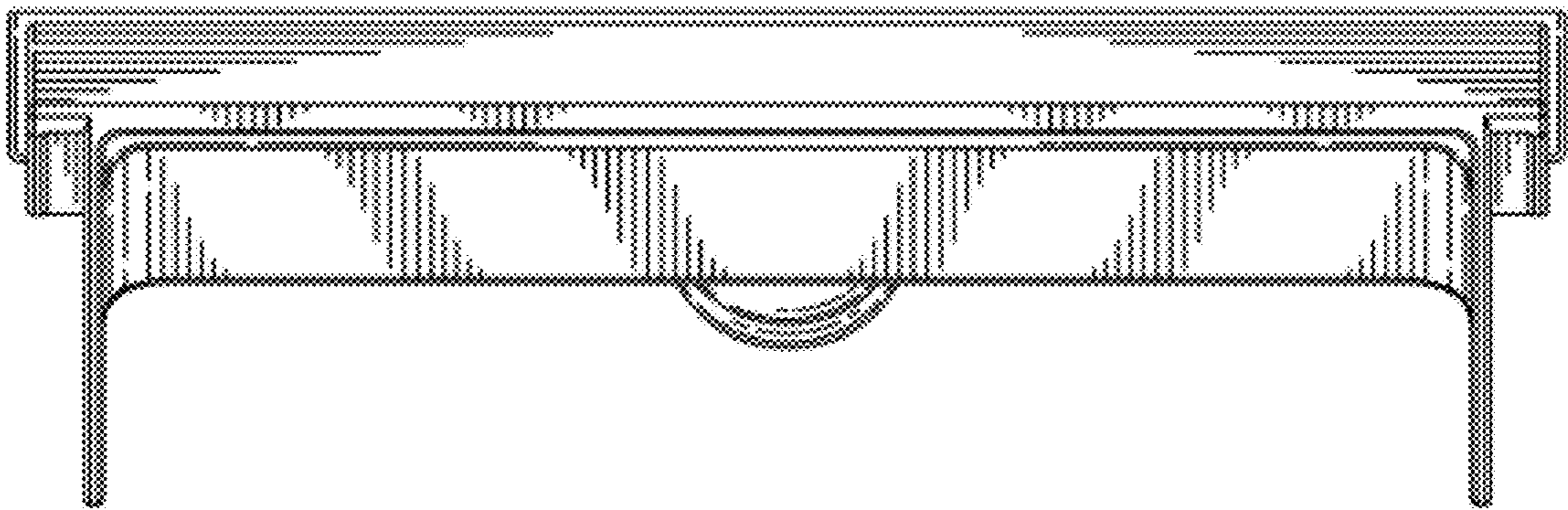


FIG. 6

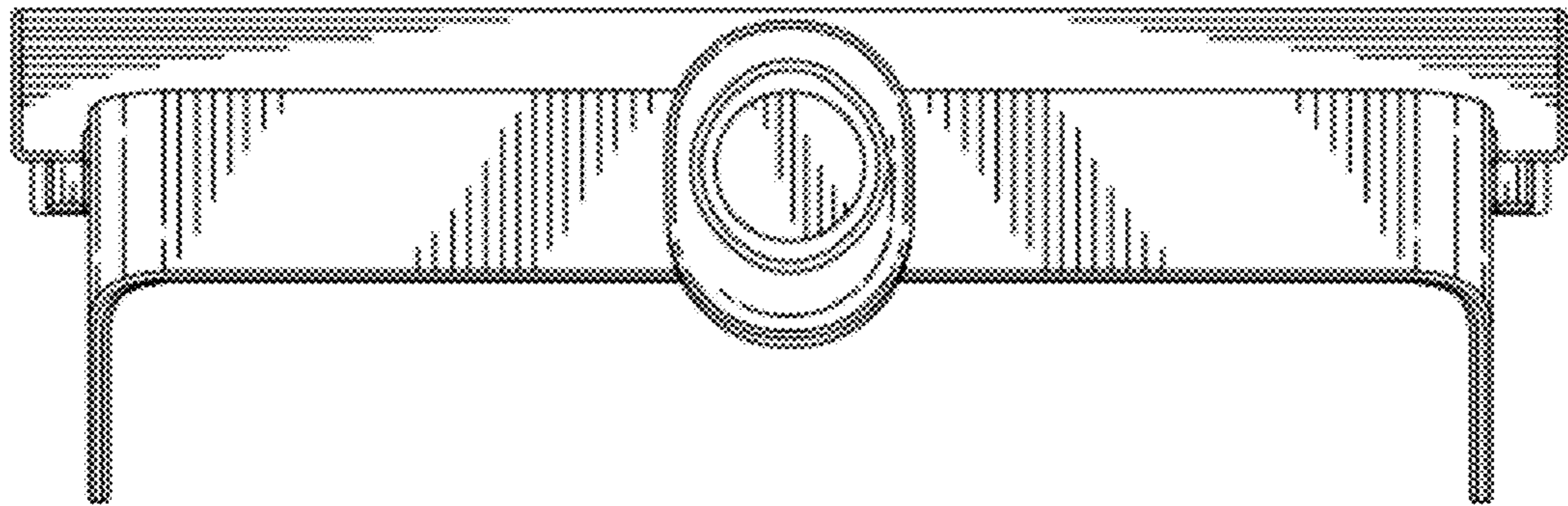


FIG. 7

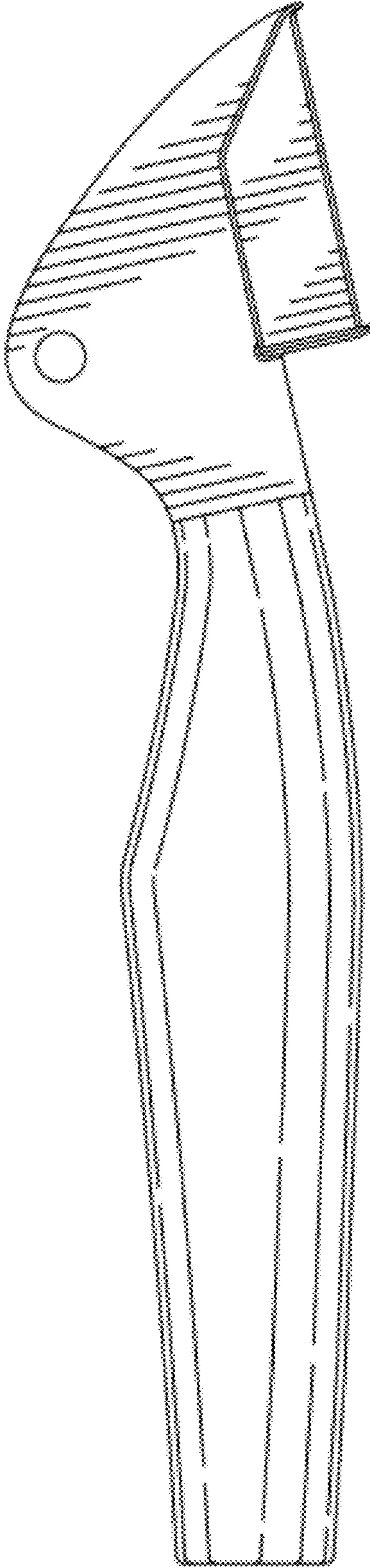


FIG. 8

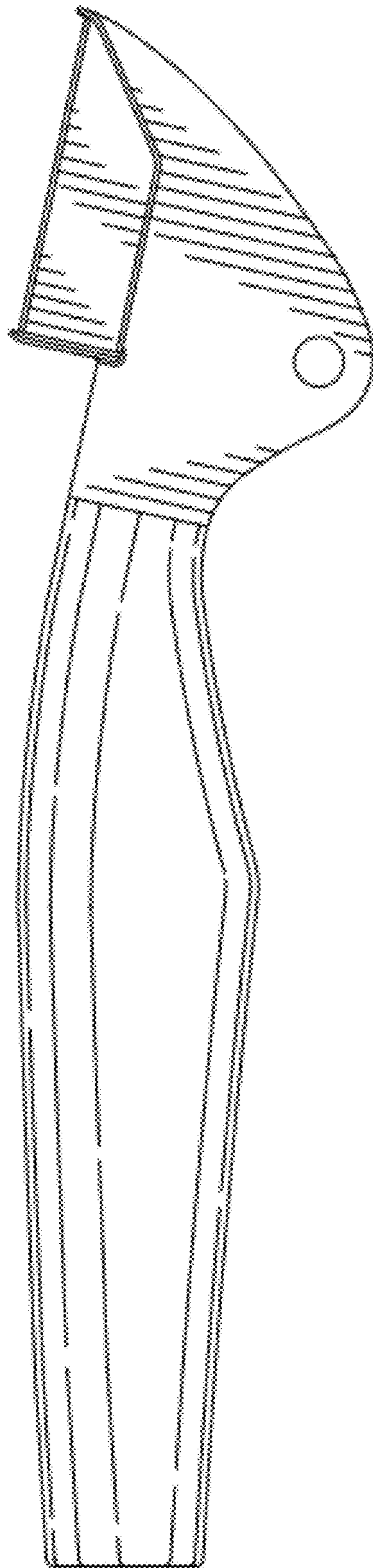


FIG. 9