



US00D657953S

(12) **United States Design Patent**
Hasegawa et al.

(10) **Patent No.:** **US D657,953 S**

(45) **Date of Patent:** **** Apr. 24, 2012**

(54) **CARRYING CASE FOR AN OPTICAL FIBER CUTTER**

(75) Inventors: **Masahiro Hasegawa**, Yokohama (JP);
Kiyoshi Nakazawa, Yokohama (JP);
Toshihiko Homma, Yokohama (JP)

(73) Assignees: **Sumitomo Electric Industries, Ltd.**,
Osaka-shi, Osaka (JP); **SEI Optifrontier**
Co., Ltd., Yokohama-shi, Kanagawa (JP)

(**) Term: **14 Years**

(21) Appl. No.: **29/381,953**

(22) Filed: **Dec. 27, 2010**

(30) **Foreign Application Priority Data**

Jun. 28, 2010 (JP) D2010-015752

(51) **LOC (9) Cl.** **03-01**

(52) **U.S. Cl.** **D3/294**

(58) **Field of Classification Search** D3/294,
D3/276, 281, 273, 283, 313, 905; 206/349,
206/315.11, 305; 190/100

See application file for complete search history.

(56) **References Cited**

U.S. PATENT DOCUMENTS

D351,727 S *	10/1994	Tarozzi	D3/276
D513,365 S *	1/2006	Singh et al.	D3/276
D569,103 S *	5/2008	Hoge et al.	D3/294
D570,114 S *	6/2008	Netz	D3/294
D584,052 S *	1/2009	Tseng	D3/295
D587,453 S *	3/2009	Burkhard et al.	D3/282
D616,200 S *	5/2010	Riedel et al.	D3/281
D629,201 S *	12/2010	Demarco	D3/294
D646,482 S *	10/2011	Deguglimo et al.	D3/276
D646,483 S *	10/2011	Deguglimo et al.	D3/276
D646,484 S *	10/2011	Deguglimo et al.	D3/281

* cited by examiner

Primary Examiner — Cynthia M Chin

Assistant Examiner — Sheryl Lane

(74) *Attorney, Agent, or Firm* — Drinker Biddle & Reath LLP

(57) **CLAIM**

The ornamental design for a carrying case for an optical fiber cutter, as shown and described.

DESCRIPTION

FIG. 1 is a front view of a carrying case for an optical fiber cutter.

FIG. 2 is a rear view of the carrying case for an optical fiber cutter.

FIG. 3 is a top plan view of the carrying case for an optical fiber cutter.

FIG. 4 is a bottom view of the carrying case for an optical fiber cutter.

FIG. 5 is a right side view of the carrying case for an optical fiber cutter.

FIG. 6 is a left side view of the carrying case for an optical fiber cutter.

FIG. 7 is a perspective view of the carrying case for an optical fiber cutter.

FIG. 8 is a front view with the lid open of the carrying case for an optical fiber cutter.

FIG. 9 is a rear view with the lid open of the carrying case for an optical fiber cutter.

FIG. 10 is a top view with the lid open of the carrying case for an optical fiber cutter.

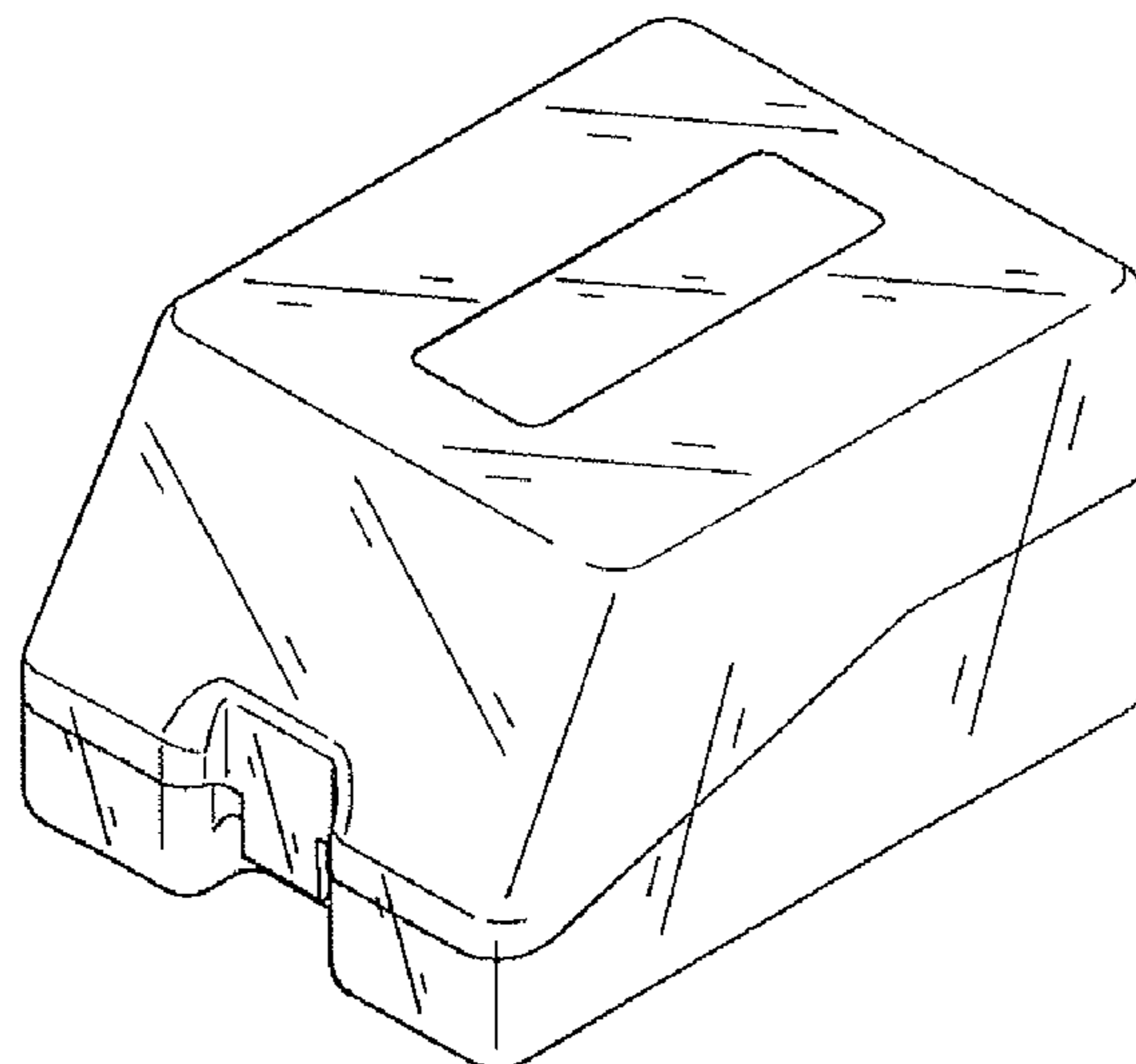
FIG. 11 is a bottom view with the lid open of the carrying case for an optical fiber cutter.

FIG. 12 is a right side view with the lid open of the carrying case for an optical fiber cutter.

FIG. 13 is a perspective view with the lid open of the carrying case for an optical fiber cutter; and,

FIG. 14 is another perspective view with the lid open of the carrying case for an optical fiber cutter.

1 Claim, 14 Drawing Sheets



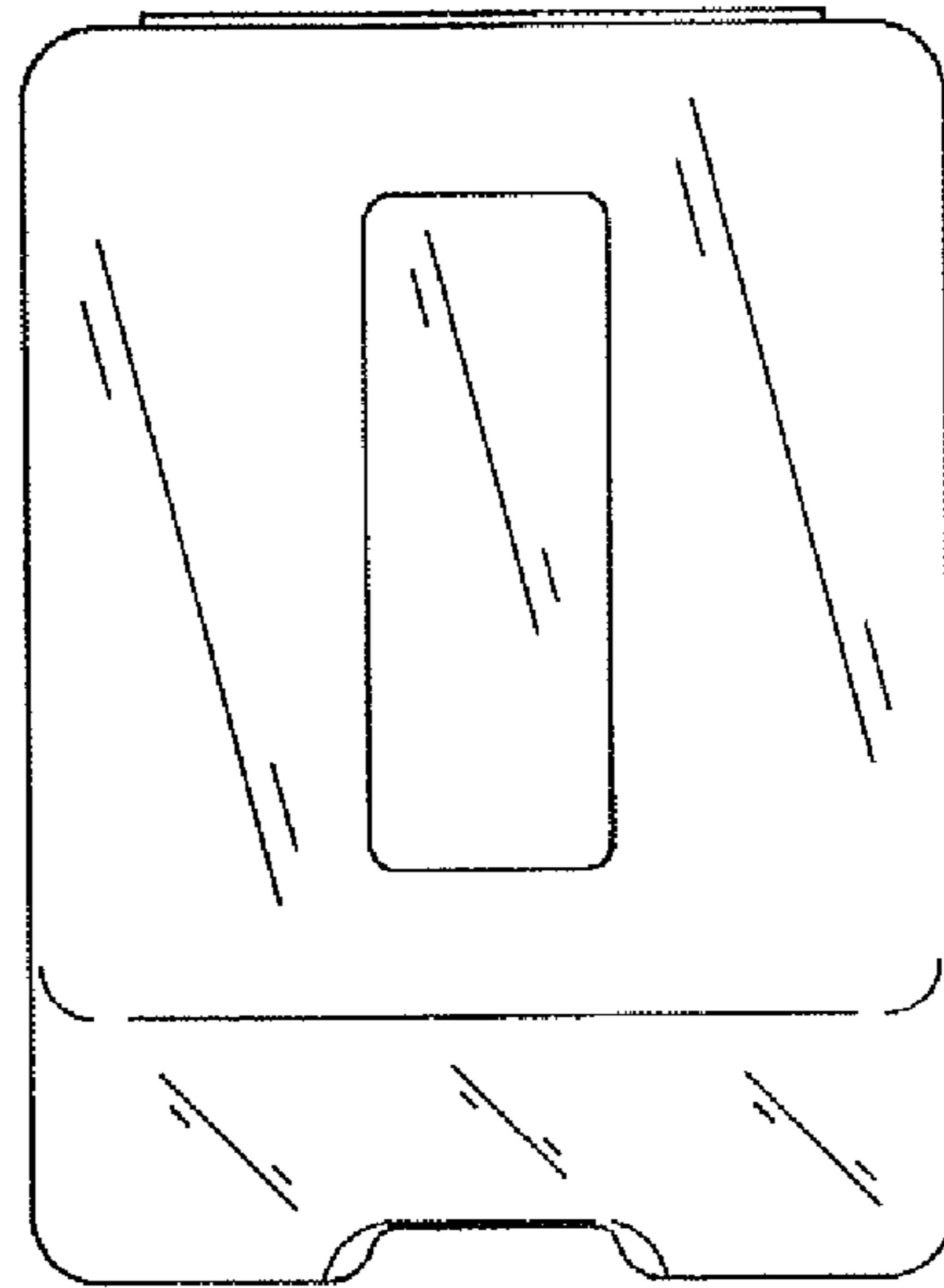


FIG. 1

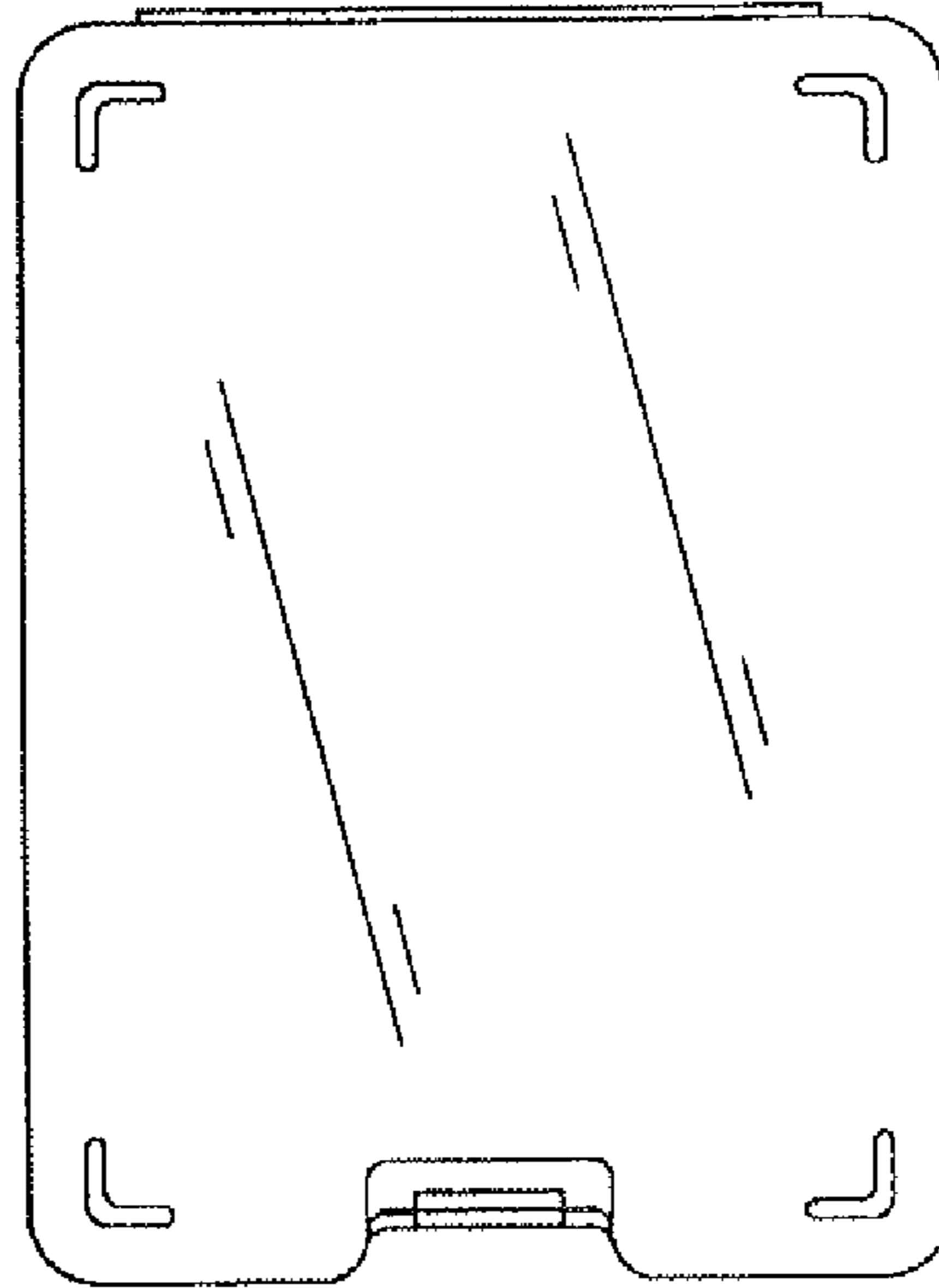


FIG. 2

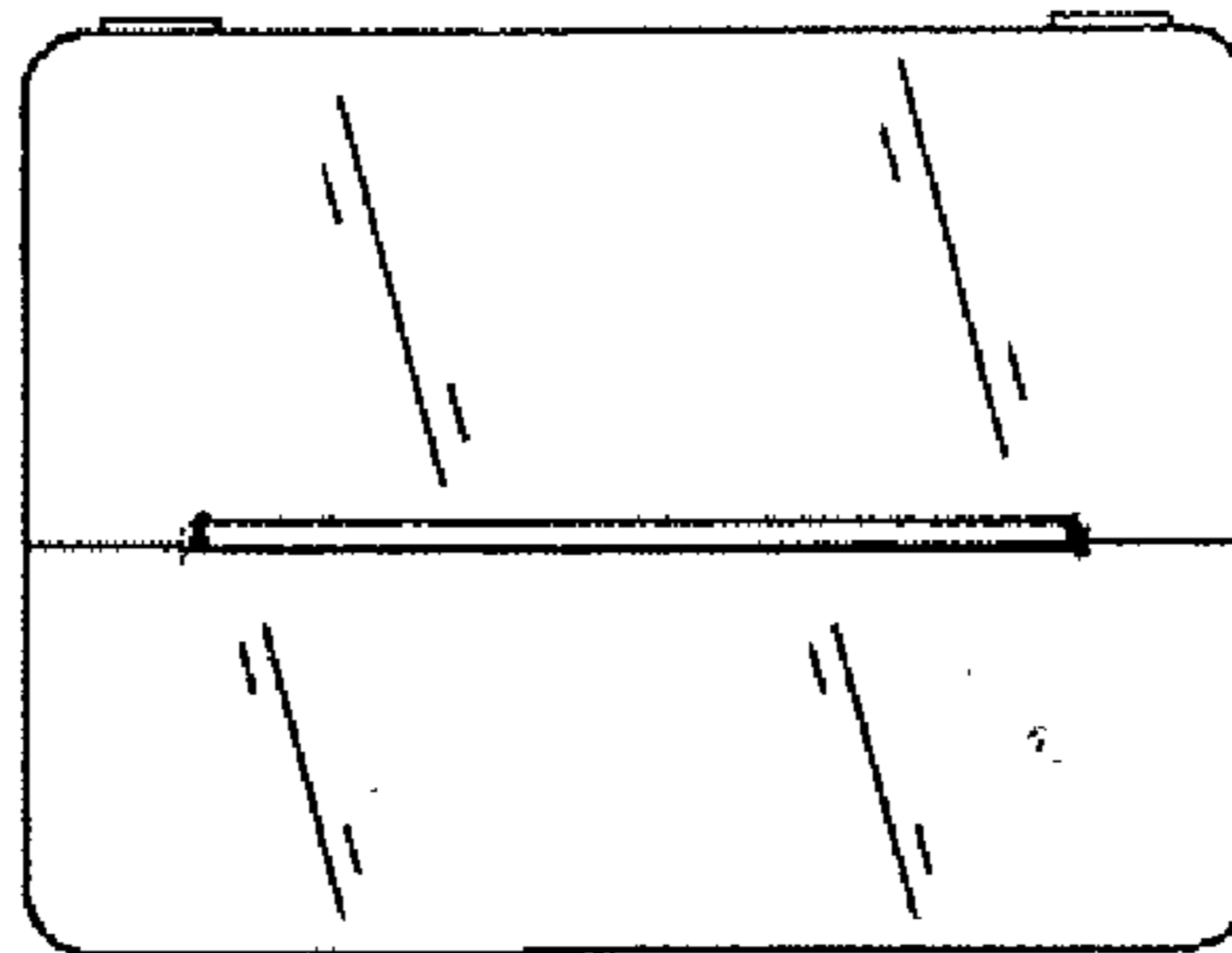


FIG. 3

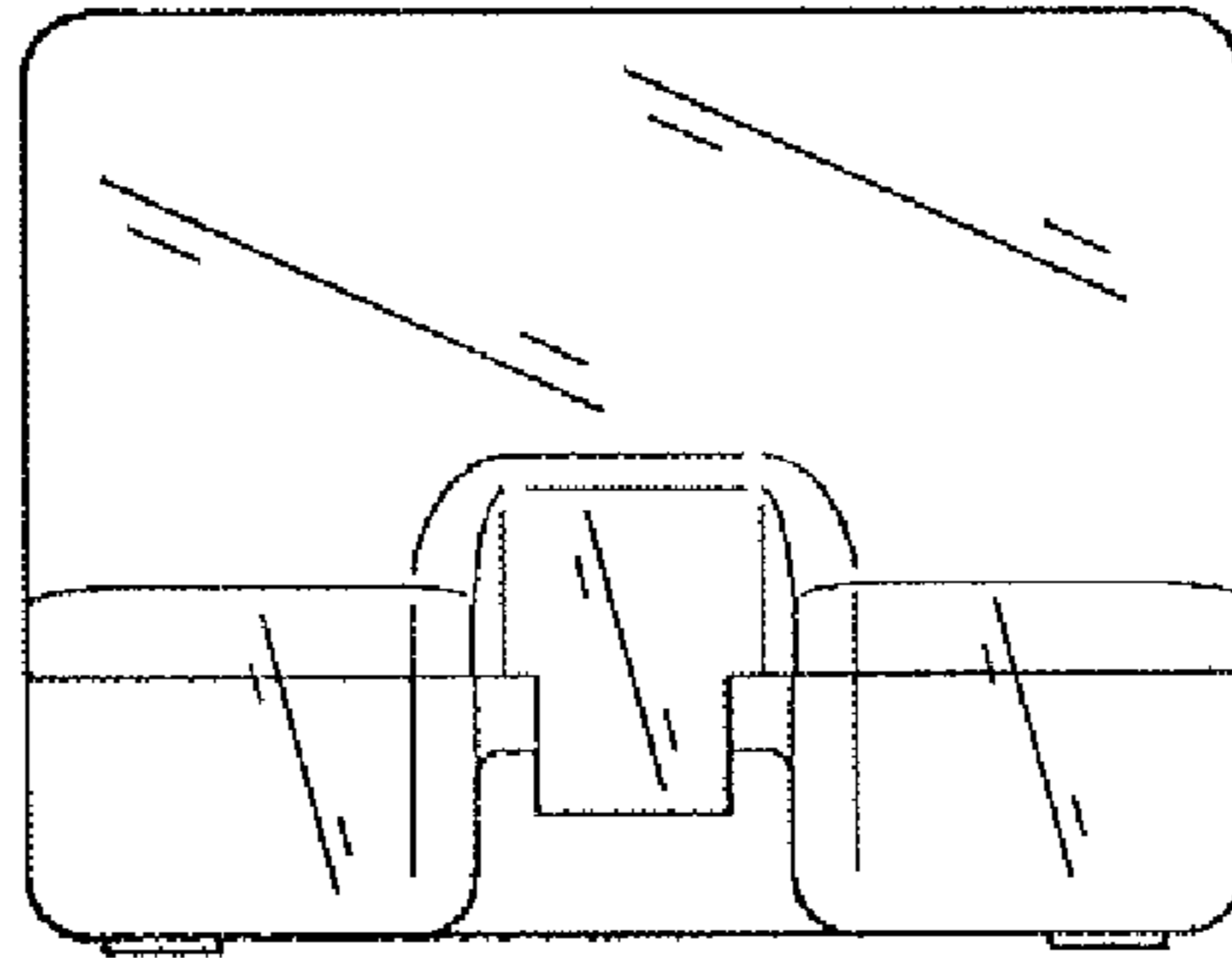


FIG. 4

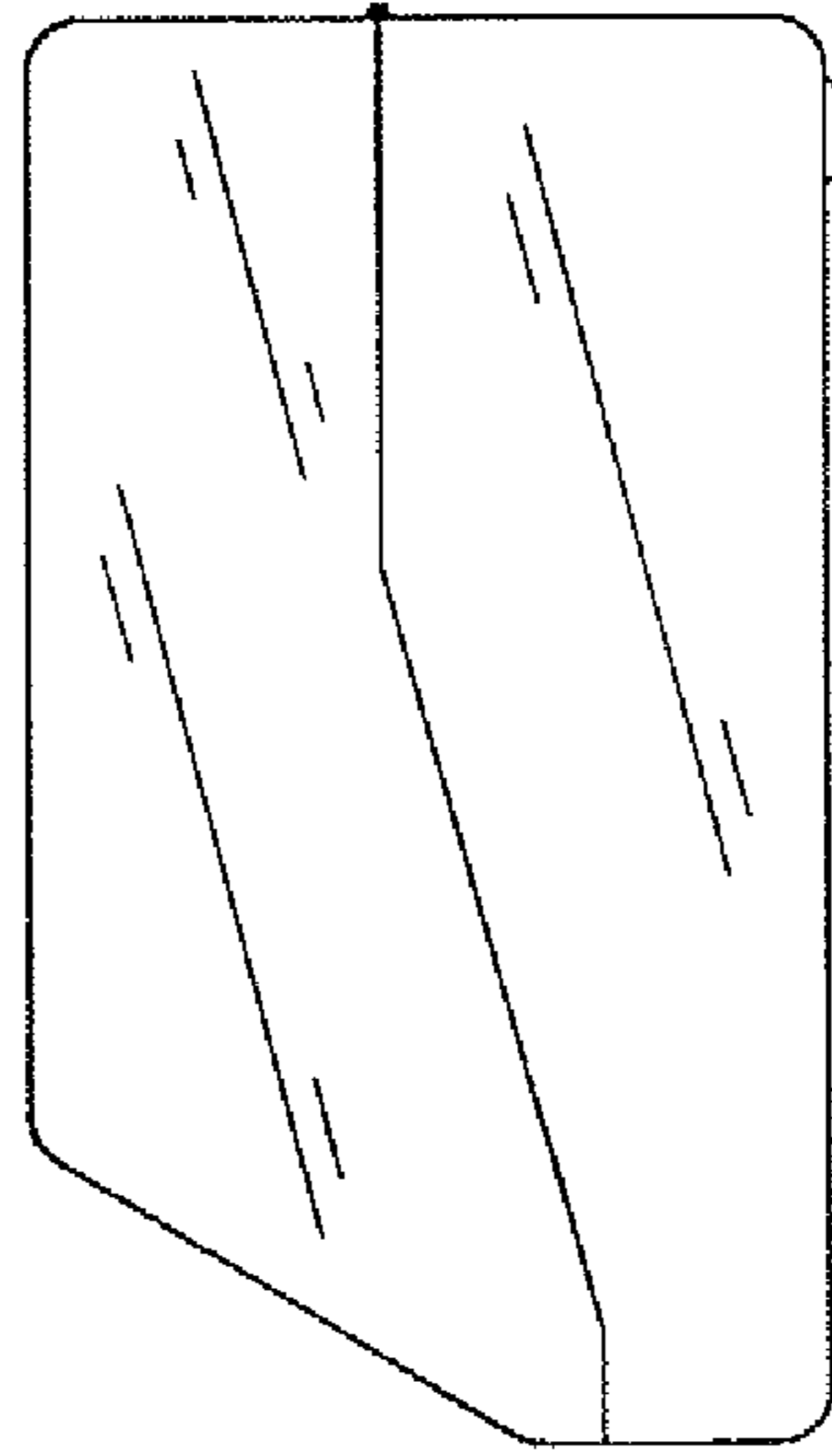


FIG. 5

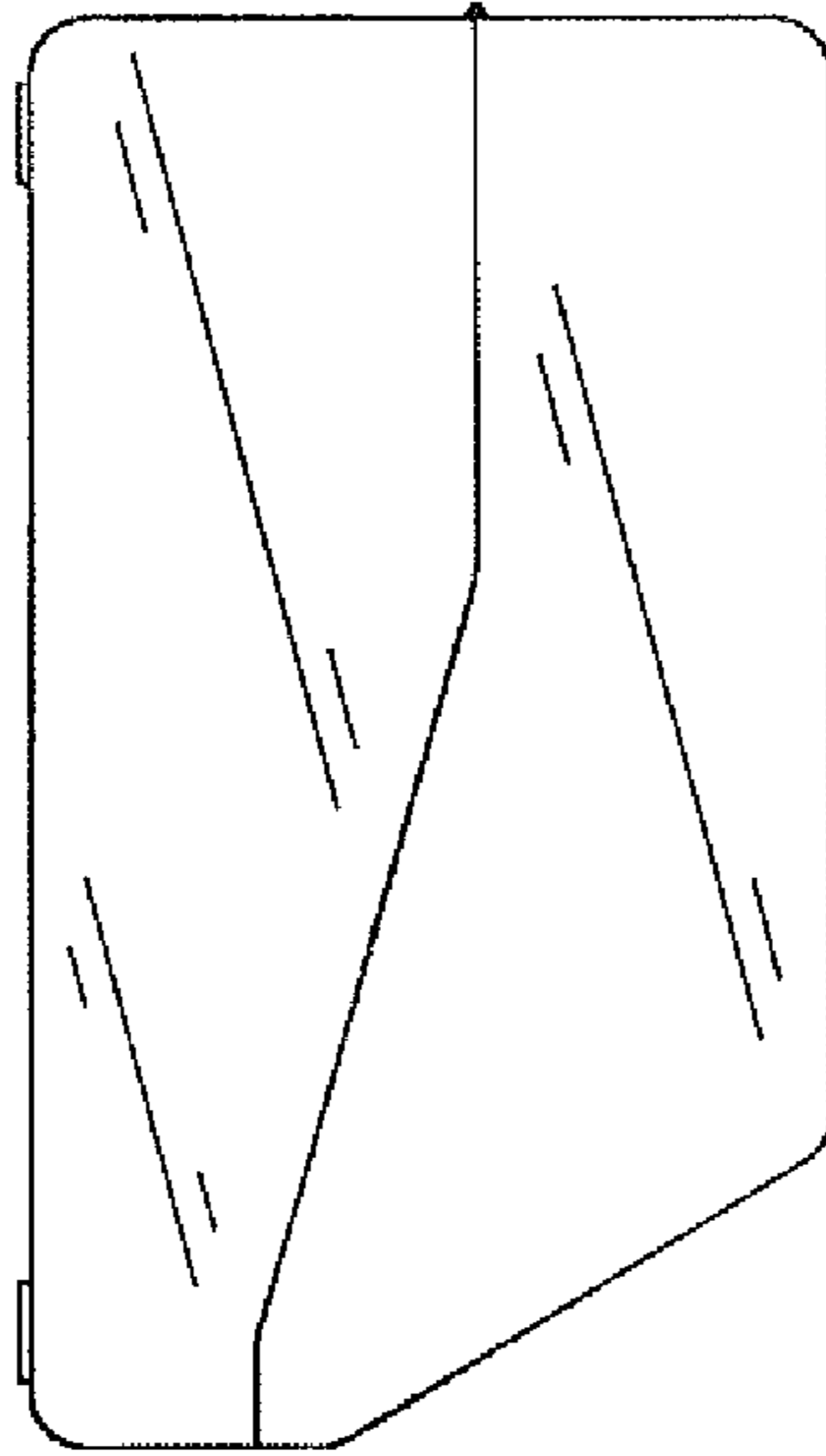


FIG. 6

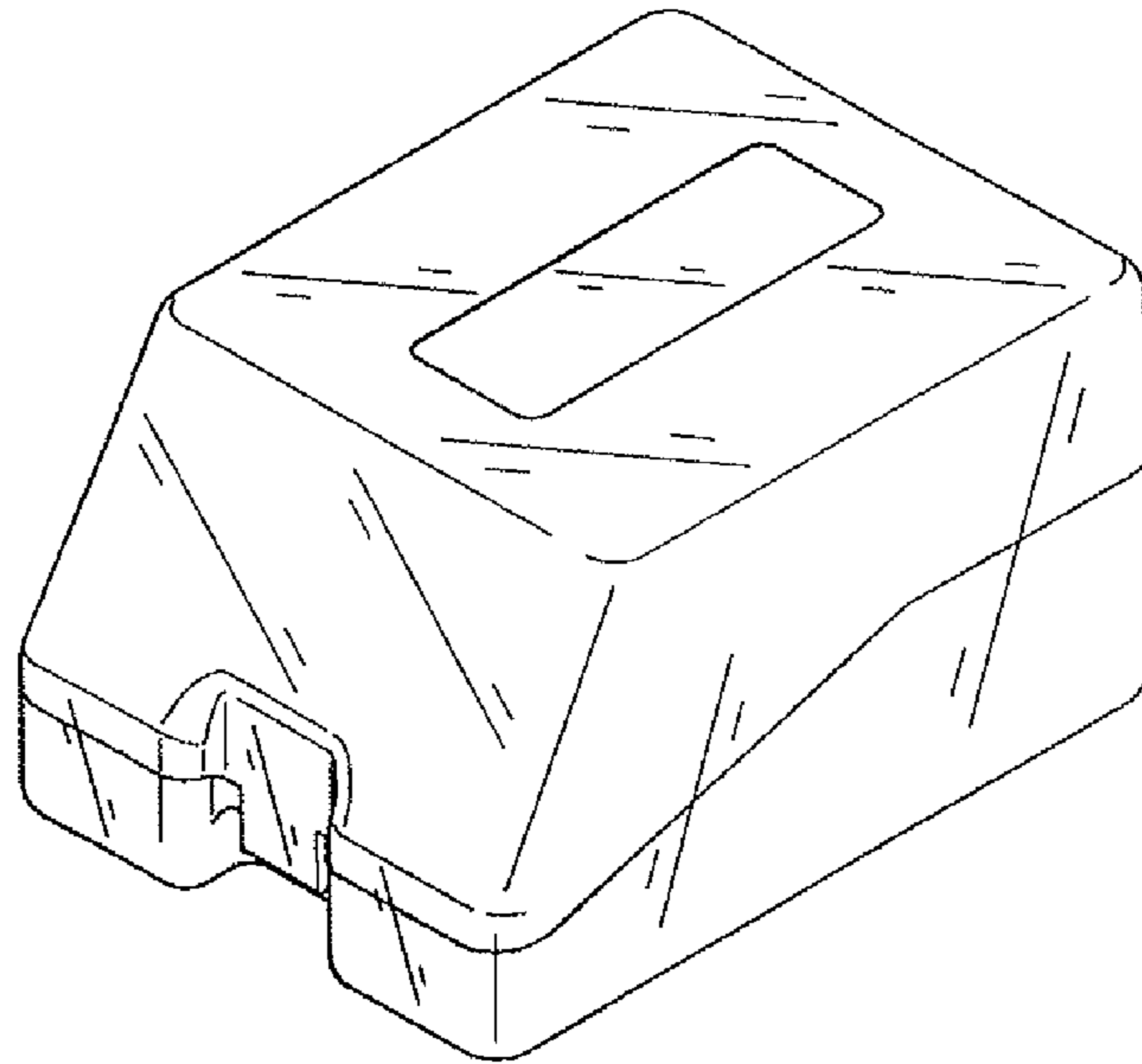


FIG. 7

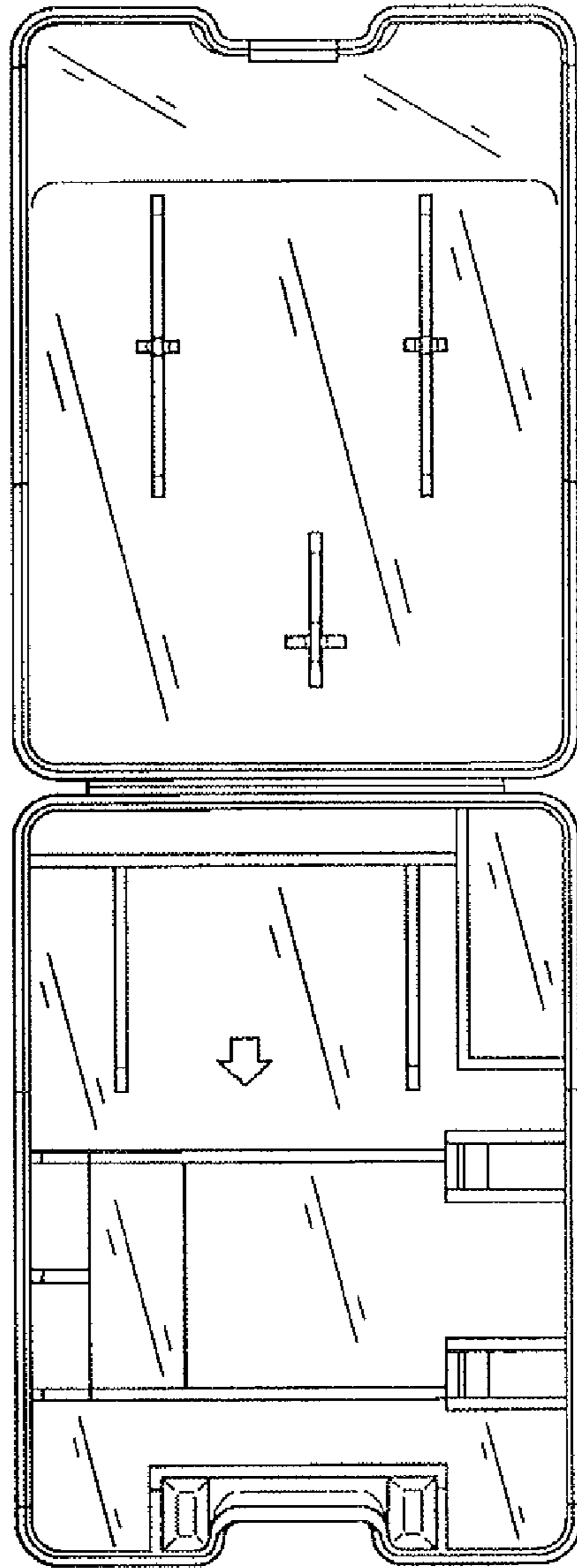


FIG. 8

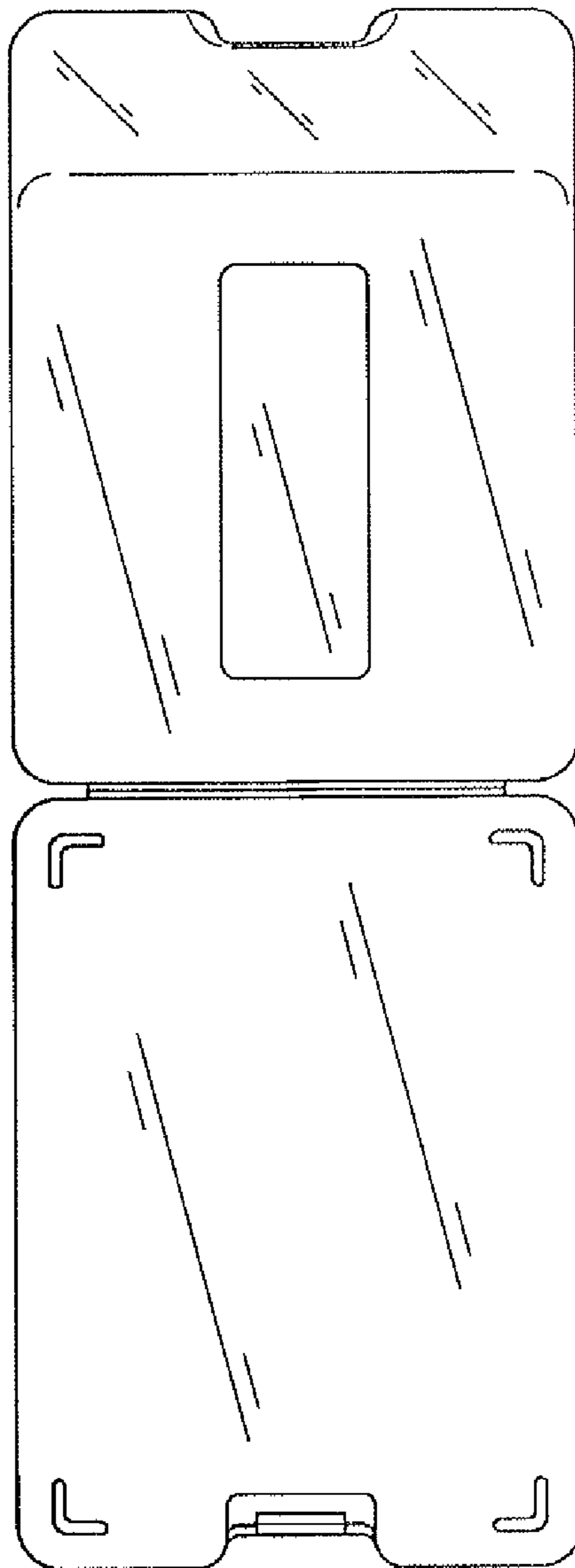


FIG. 9

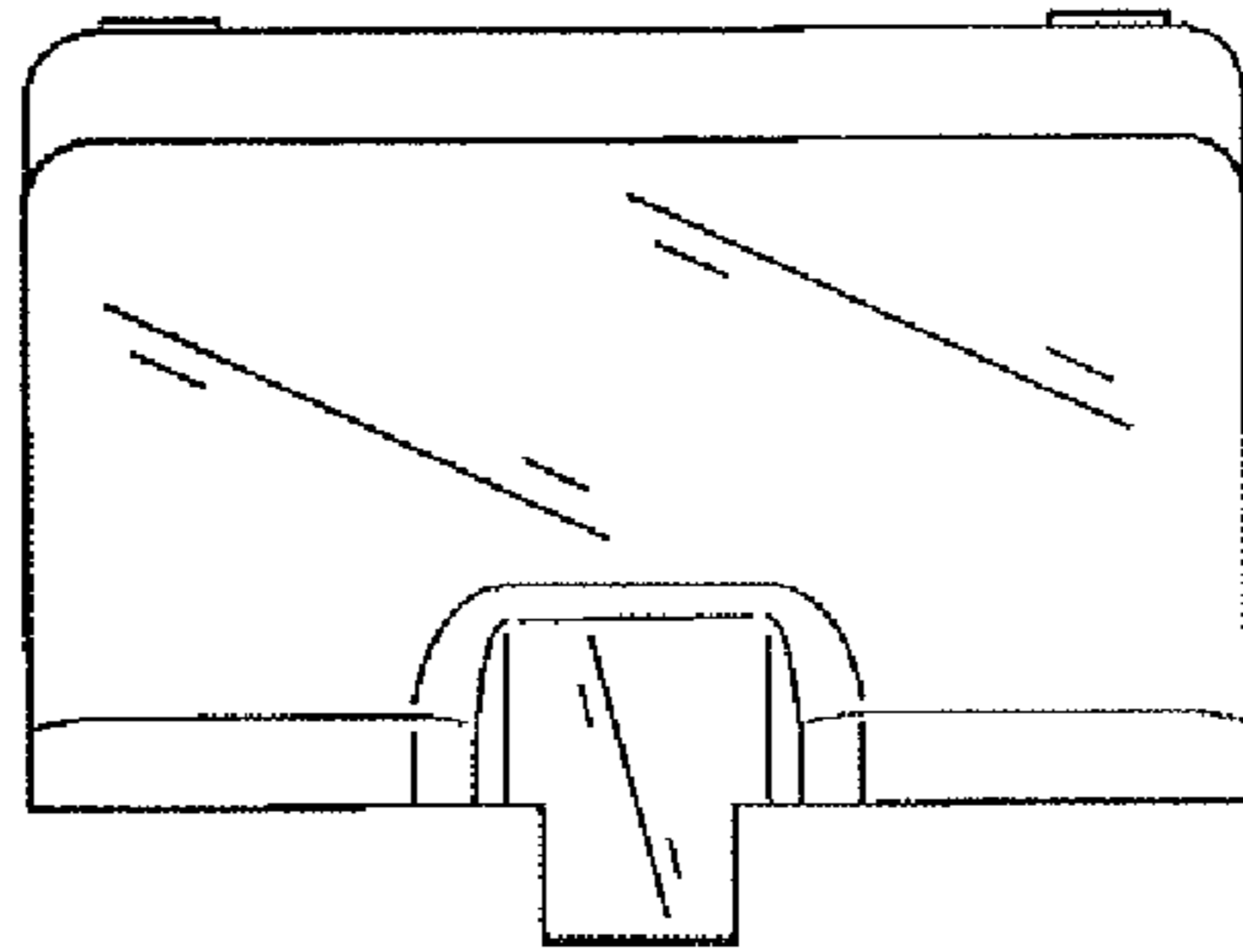


FIG. 10

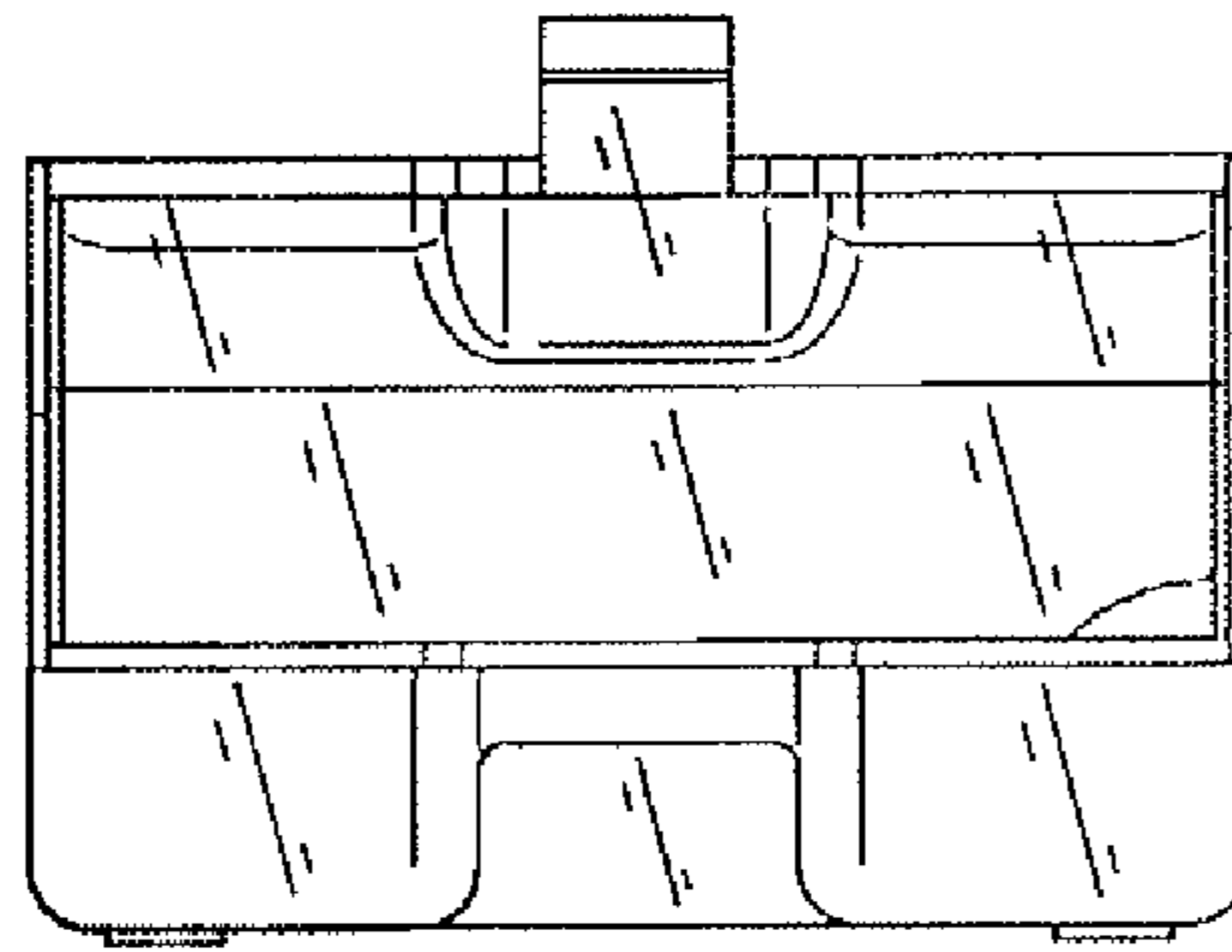


FIG. 11

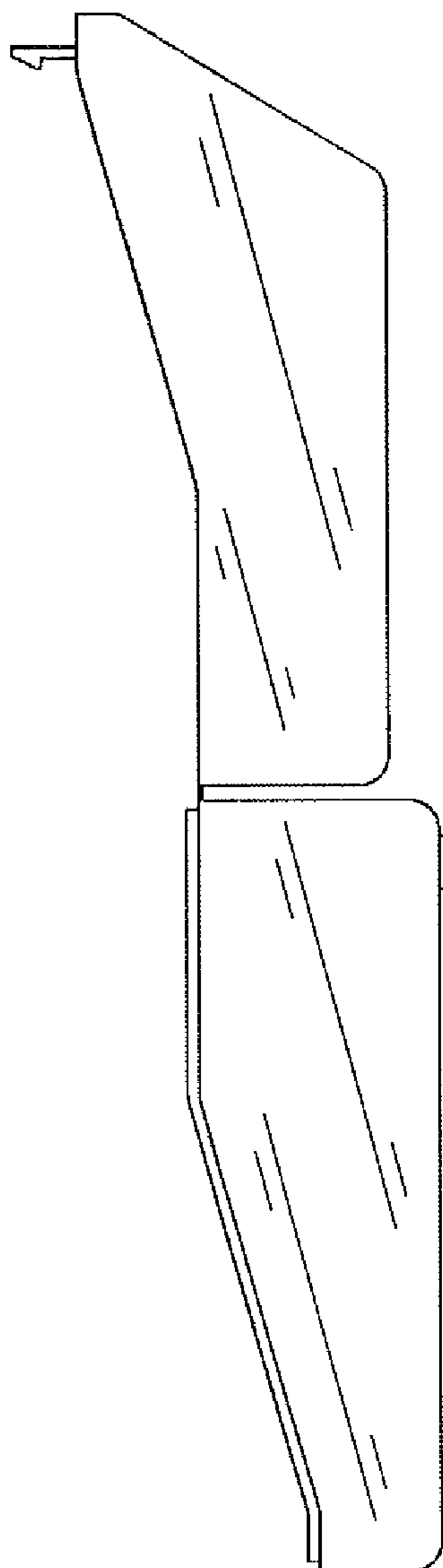


FIG. 12

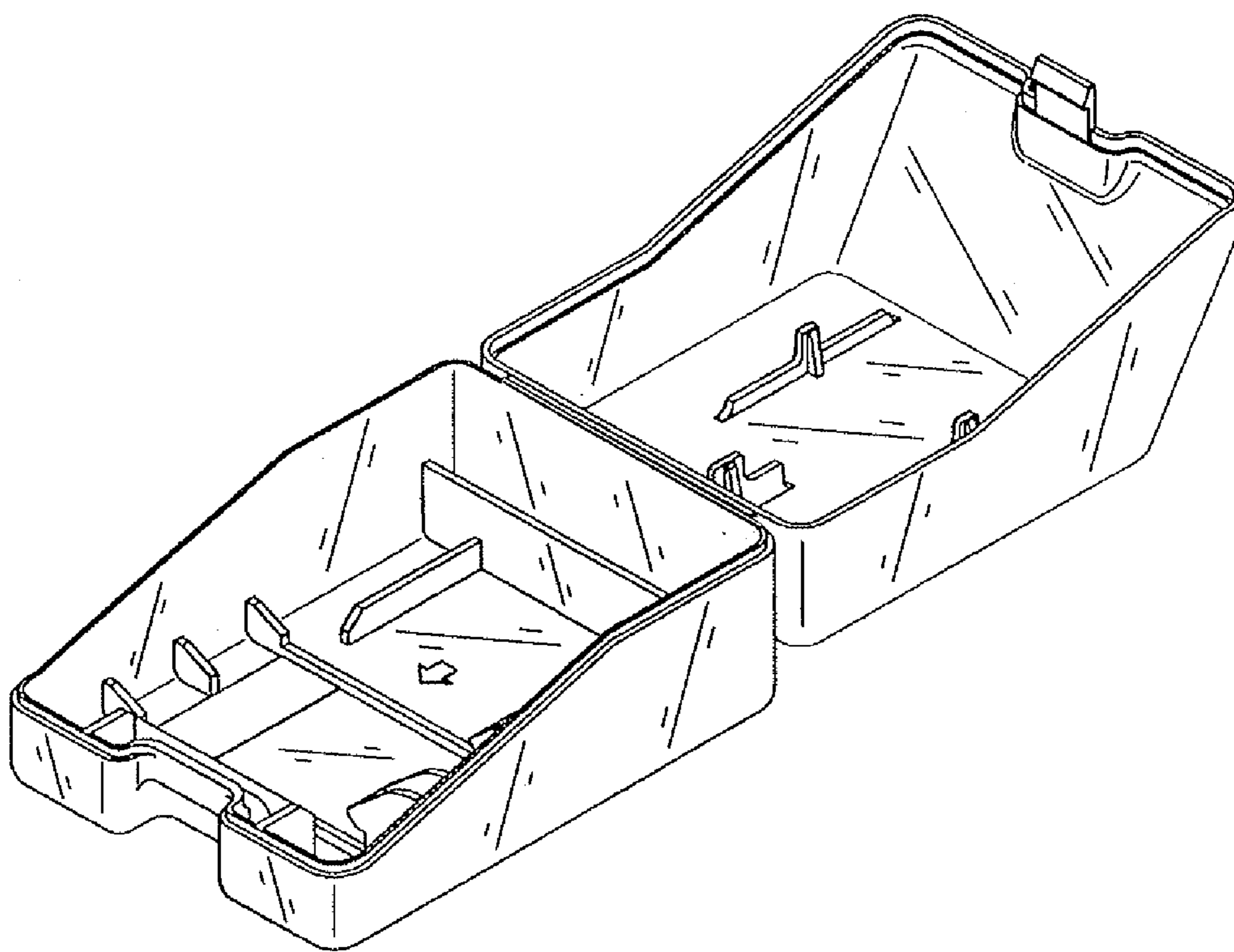


FIG. 13

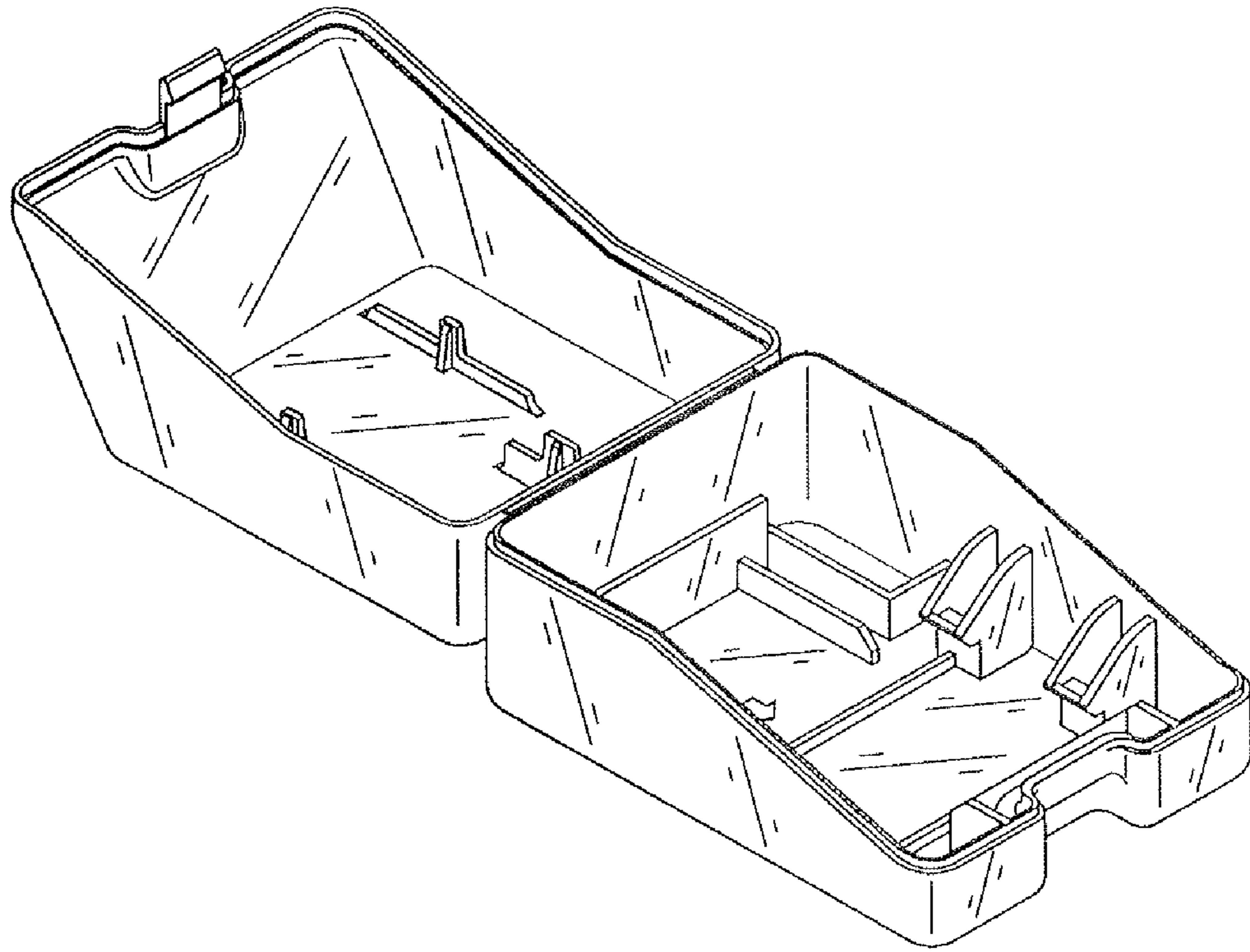


FIG. 14