



US00D657951S

(12) **United States Design Patent**
Davis et al.

(10) **Patent No.:** **US D657,951 S**

(45) **Date of Patent:** **** Apr. 24, 2012**

(54) **CONCEALED CARRY HOLSTER**

(76) Inventors: **Austin Kelly Davis**, Houston, TX (US);
Penny Feltman Davis, Houston, TX
(US)

(**) Term: **14 Years**

(21) Appl. No.: **29/401,348**

(22) Filed: **Sep. 11, 2011**

(51) **LOC (9) Cl.** **03-01**

(52) **U.S. Cl.** **D3/222**

(58) **Field of Classification Search** D3/222–223,
D3/218, 215; 224/192–193, 245, 244, 198,
224/624, 911, 581–583, 674–675, 607; D2/627;
D8/373

See application file for complete search history.

(56) **References Cited**

U.S. PATENT DOCUMENTS

3,664,560	A *	5/1972	Perkins	224/677
D255,062	S *	5/1980	Hill et al.	D3/222
4,903,874	A *	2/1990	Shoemaker	224/624
5,358,159	A *	10/1994	Lundie, Jr.	224/624

5,358,160	A *	10/1994	Bianchi	224/244
5,894,976	A *	4/1999	Harper	224/587
D600,009	S *	9/2009	Doty et al.	D3/222

* cited by examiner

Primary Examiner — Catheri Oliver

(74) *Attorney, Agent, or Firm* — QuickPatents, Inc.; Kevin Prince

(57) **CLAIM**

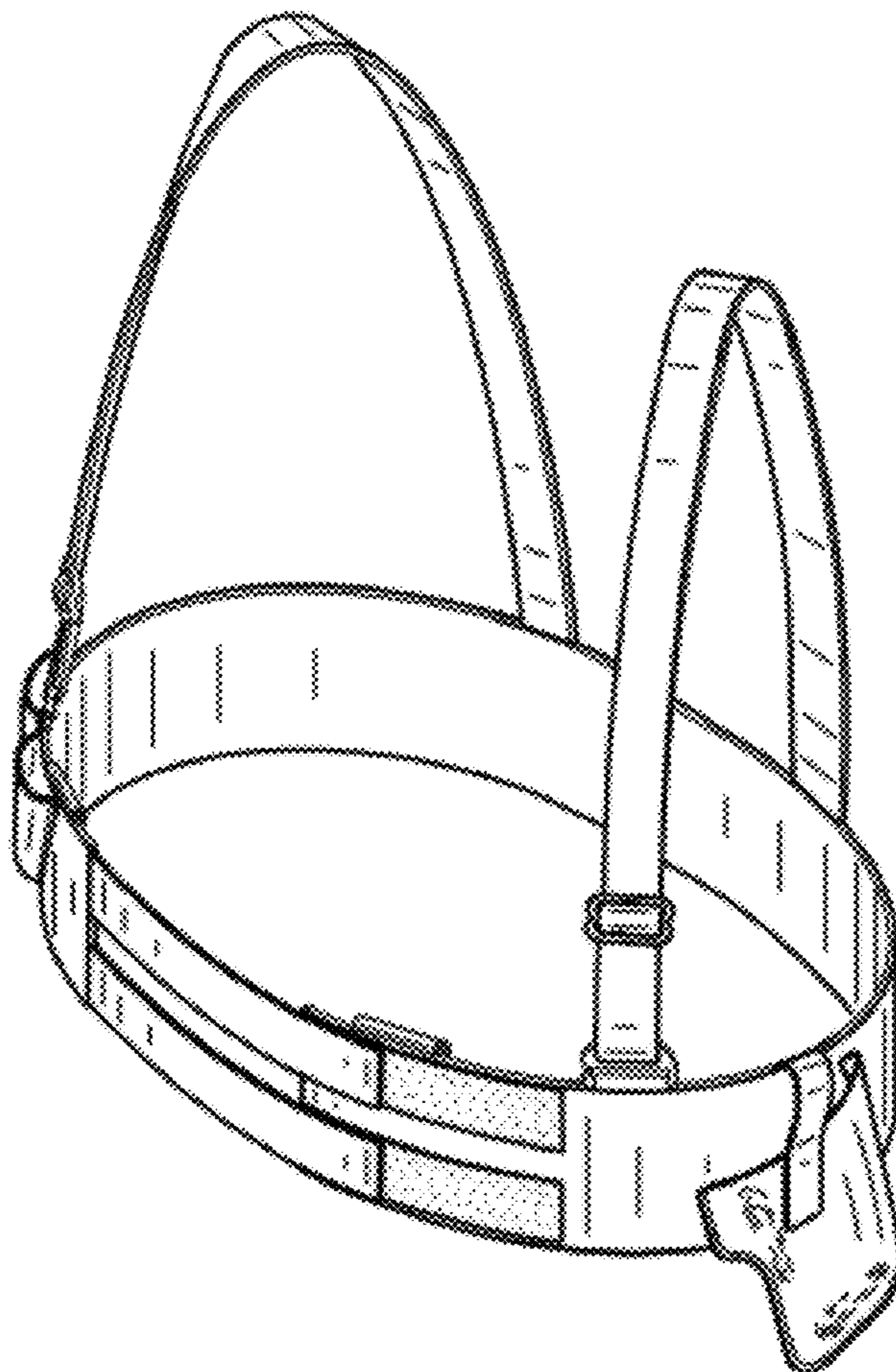
We claim the ornamental design for a concealed carry holster, as shown and described.

DESCRIPTION

FIG. 1 is a front perspective view of a concealed carry holster, showing our new design;
FIG. 2 is a rear perspective view thereof;
FIG. 3 is a front elevational view thereof;
FIG. 4 is a rear elevational view thereof;
FIG. 5 is a left-side elevational view thereof;
FIG. 6 is a right-side elevational view thereof;
FIG. 7 is a top plan view thereof; and,
FIG. 8 is a bottom plan view thereof.

The broken lines showing a safety pins in FIG. 1 depict environmental matter and form no part of the claimed design.

1 Claim, 3 Drawing Sheets



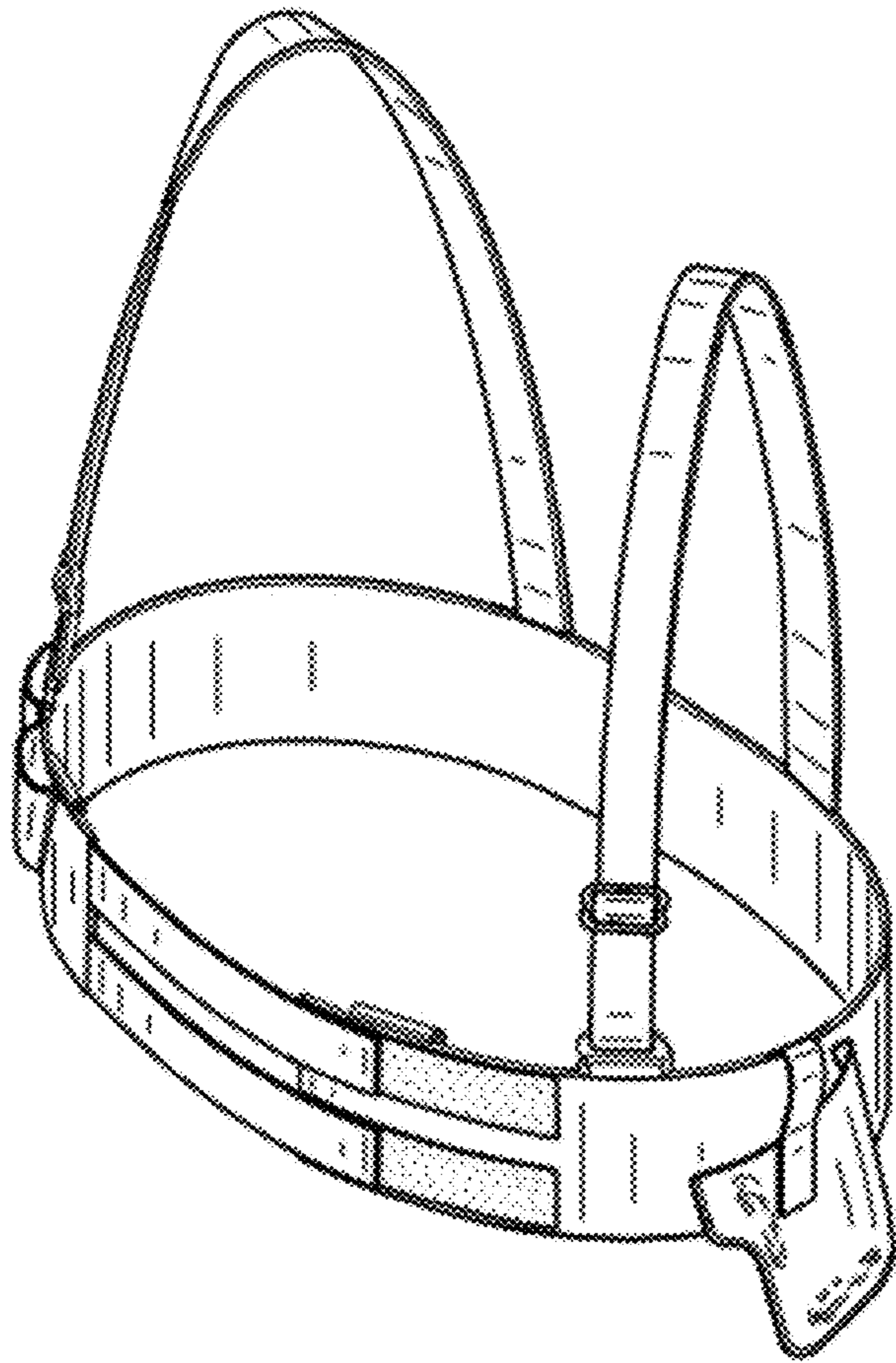


FIG. 1

FIG. 2

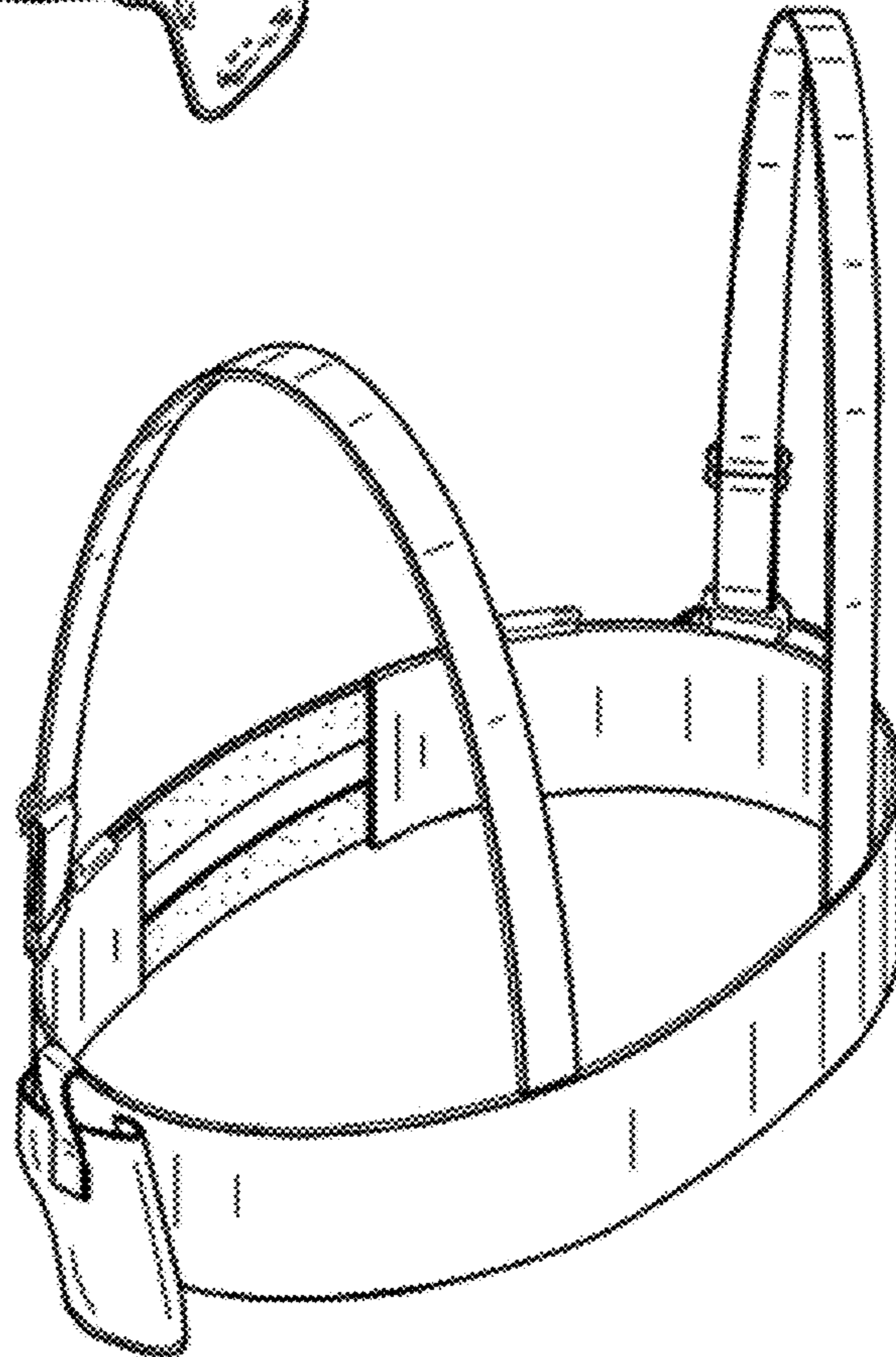


FIG. 3

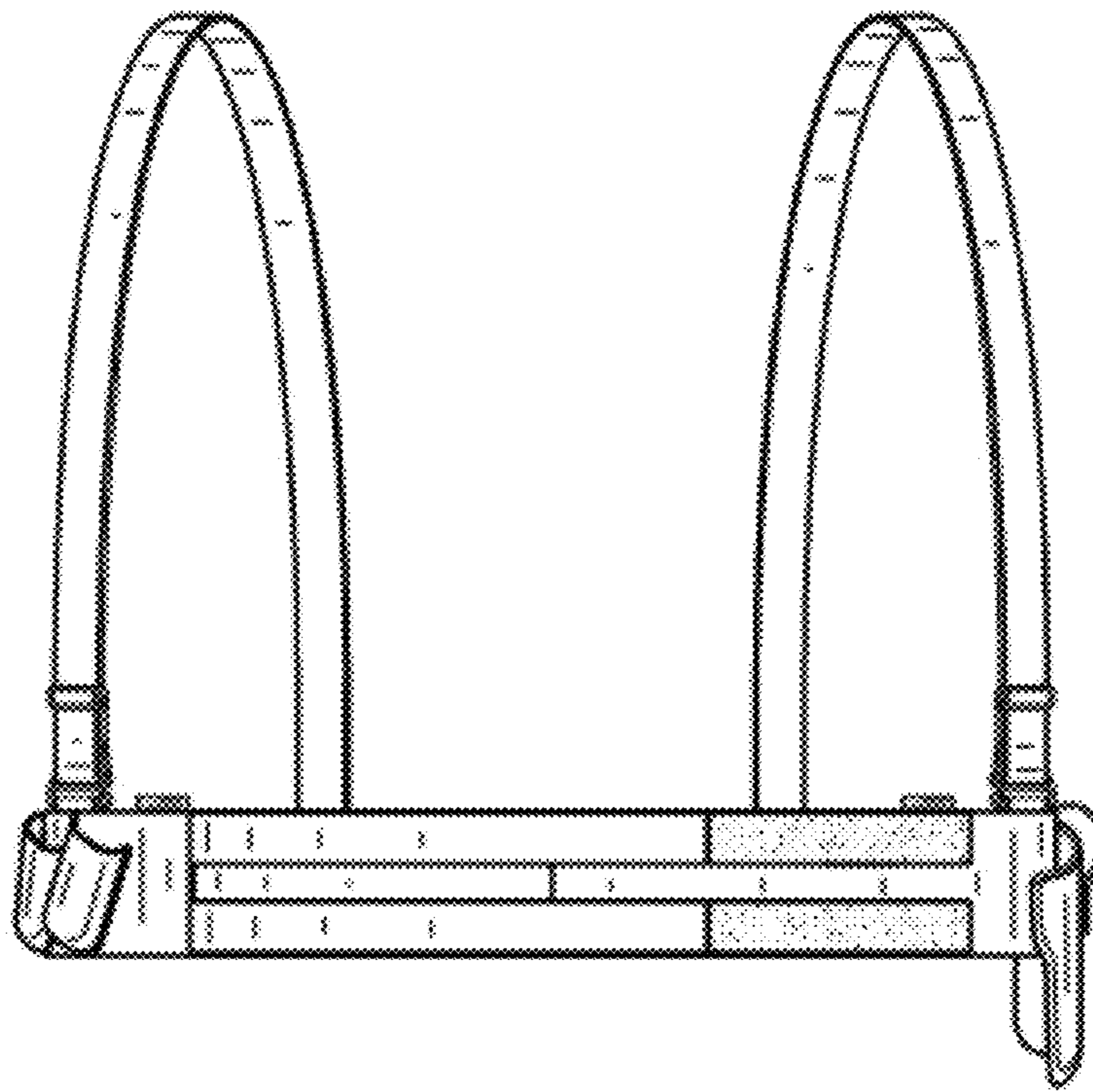
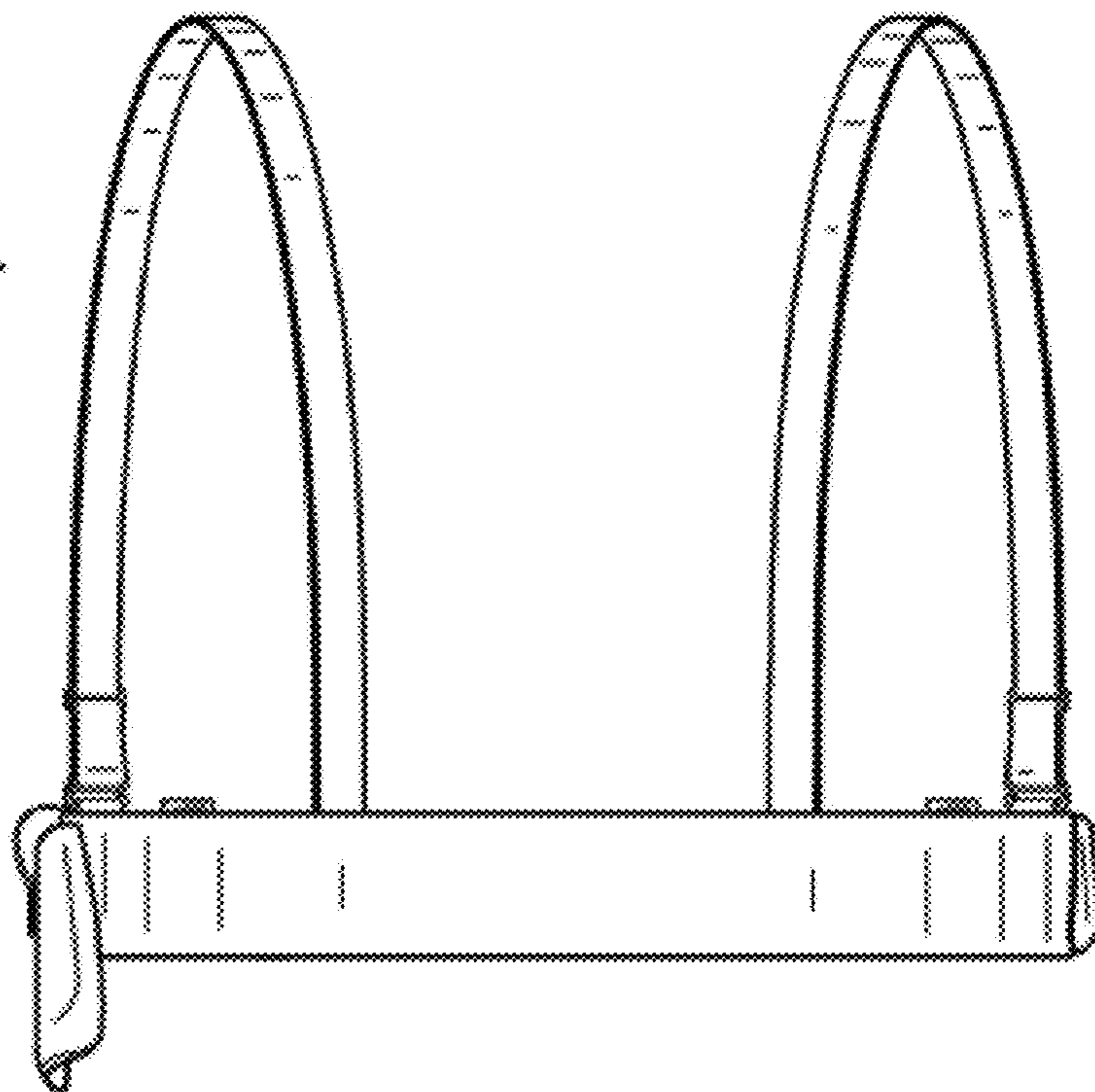


FIG. 4



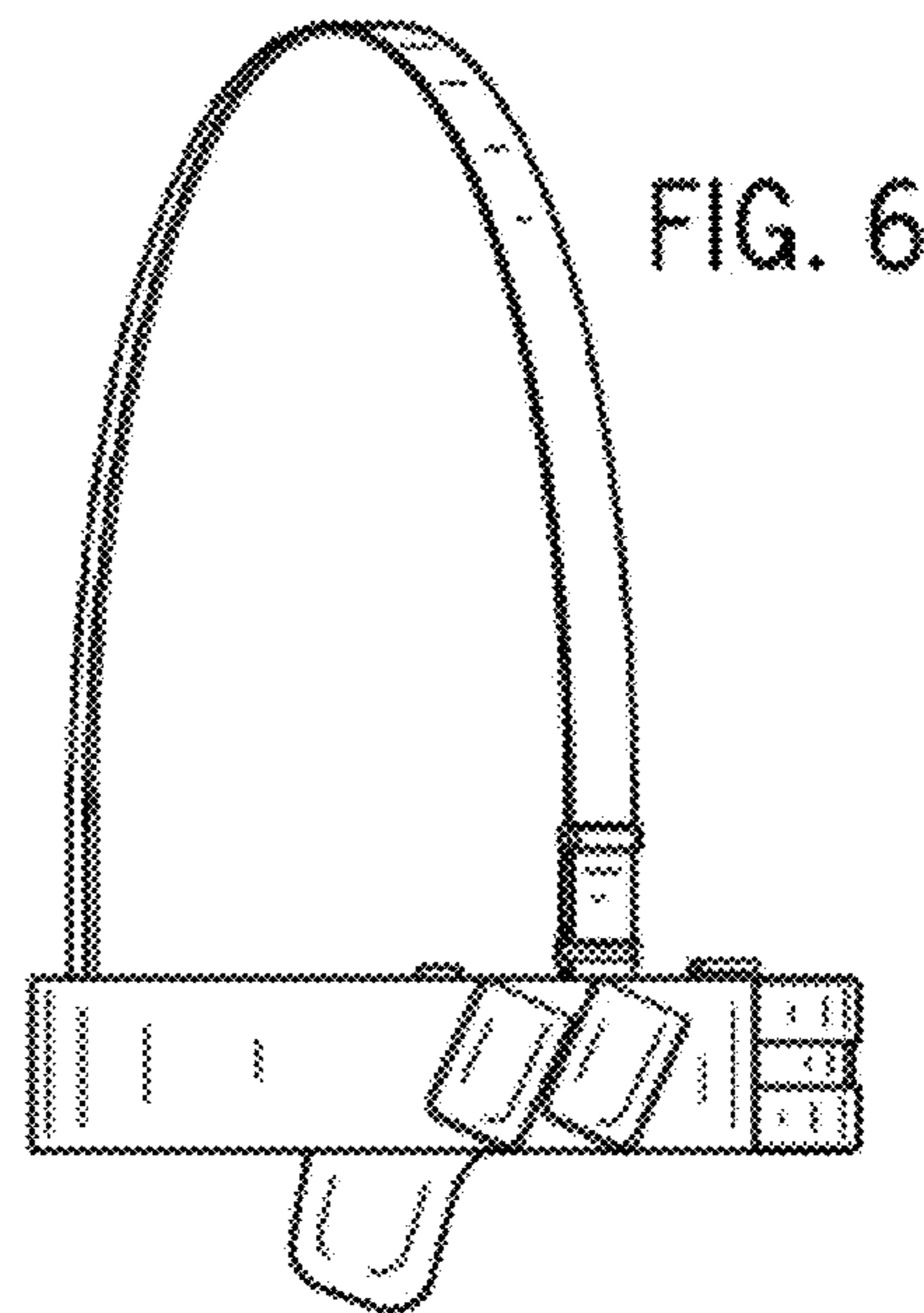
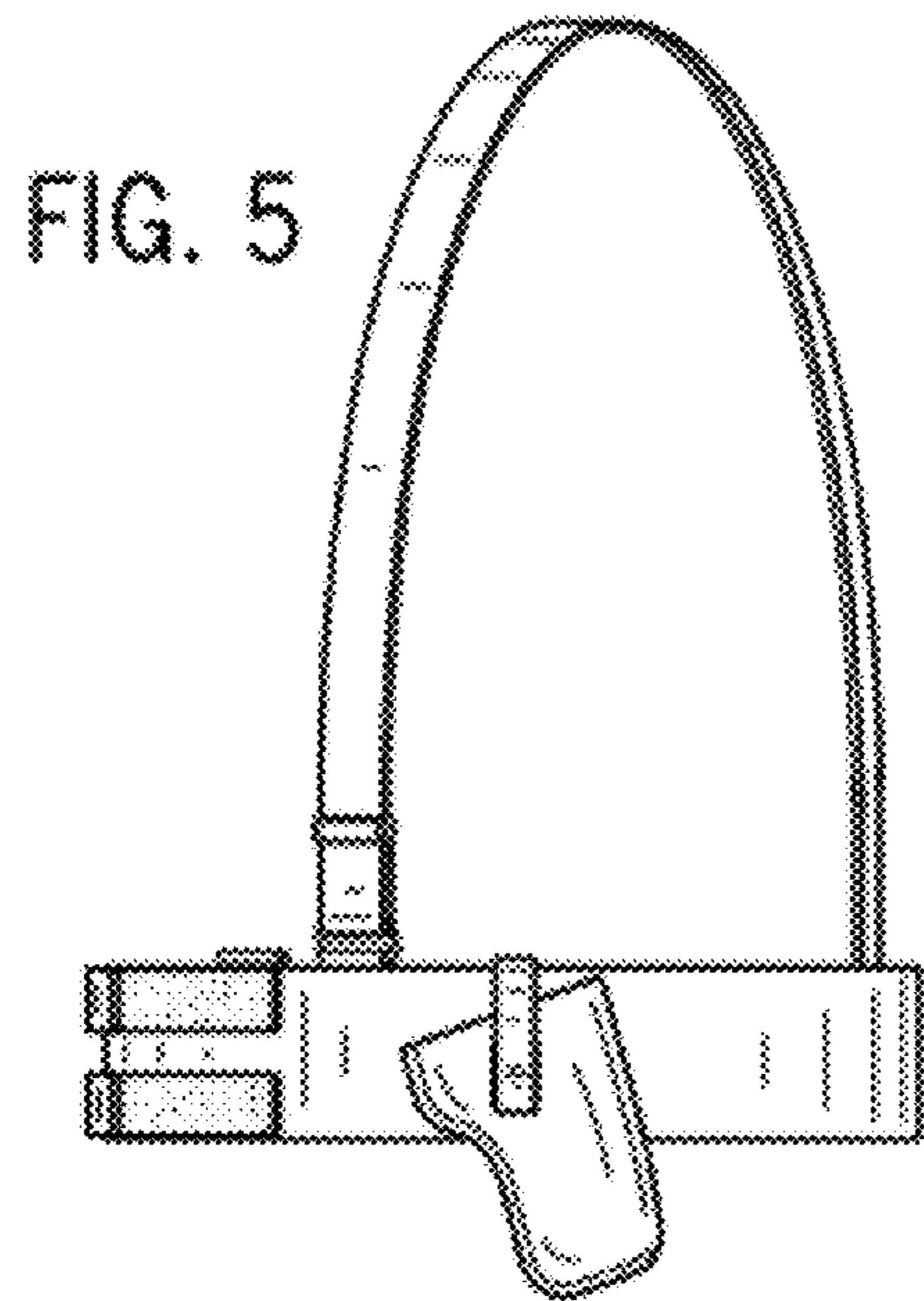


FIG. 7

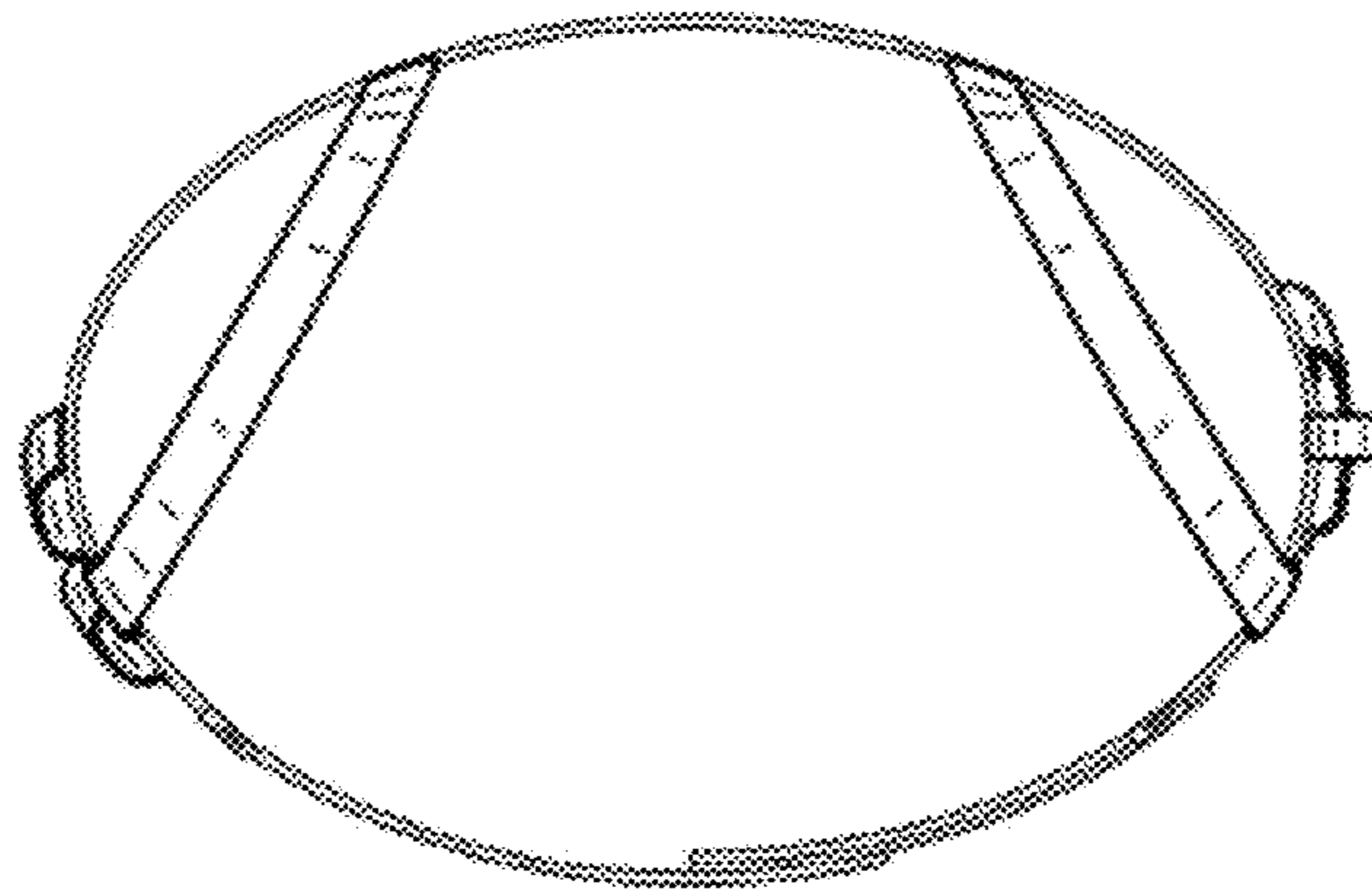


FIG. 8

