



US00D657935S

(12) **United States Design Patent**
Kessler et al.

(10) **Patent No.:** **US D657,935 S**
(45) **Date of Patent:** **** Apr. 17, 2012**

(54) **PALLET SUPPORT**

(76) Inventors: **Robert R. Kessler**, Augusta, IL (US);
Eric Renteria, Mediapolis, IA (US)

(**) Term: **14 Years**

(21) Appl. No.: **29/374,689**

(22) Filed: **Sep. 22, 2011**

Related U.S. Application Data

(60) Division of application No. 29/348,731, filed on Feb. 2, 2010, which is a continuation-in-part of application No. 29/305,558, filed on Mar. 24, 2008, now Pat. No. Des. 612,566.

(51) **LOC (9) Cl.** **09-08**

(52) **U.S. Cl.** **D34/38**

(58) **Field of Classification Search** D34/38;
108/51.11, 51.3, 53.1, 53.3, 53.5, 56.1, 573.18;
206/386, 597, 599, 600
See application file for complete search history.

(56) **References Cited**

U.S. PATENT DOCUMENTS

| | | | | | |
|-----------|------|---------|-----------------|-------|-----------|
| 3,940,101 | A * | 2/1976 | Heidelbach | | 248/346.4 |
| 4,509,433 | A * | 4/1985 | Farr | | 108/52.1 |
| 4,960,209 | A * | 10/1990 | Tudor | | 206/597 |
| D416,782 | S * | 11/1999 | Reinhardt | | D8/354 |
| D453,057 | S * | 1/2002 | Sewell | | D34/38 |
| 6,926,144 | B1 * | 8/2005 | Schnaars et al. | | 206/386 |

| | | | | | |
|----------|-----|--------|---------------|-------|--------|
| D547,024 | S * | 7/2007 | Brefka et al. | | D34/38 |
| D551,424 | S * | 9/2007 | Meisen et al. | | D34/38 |
| D612,566 | S * | 3/2010 | Kessler | | D34/38 |

* cited by examiner

Primary Examiner — Cynthia Ramirez

(74) *Attorney, Agent, or Firm* — Matthew R. P. Perrone; Brie A. Crawford

(57) **CLAIM**

The ornamental design for a pallet support, as shown and described.

DESCRIPTION

FIG. 1 is a front perspective view of a tapered pallet support of my invention in use with the pallet and rear pallet support shown in phantom;

FIG. 2 is a front plan view of a pallet support of my invention based on FIG. 1;

FIG. 3 is a rear plan view of a pallet support of my invention based on FIG. 1 and a reverse view of FIG. 2;

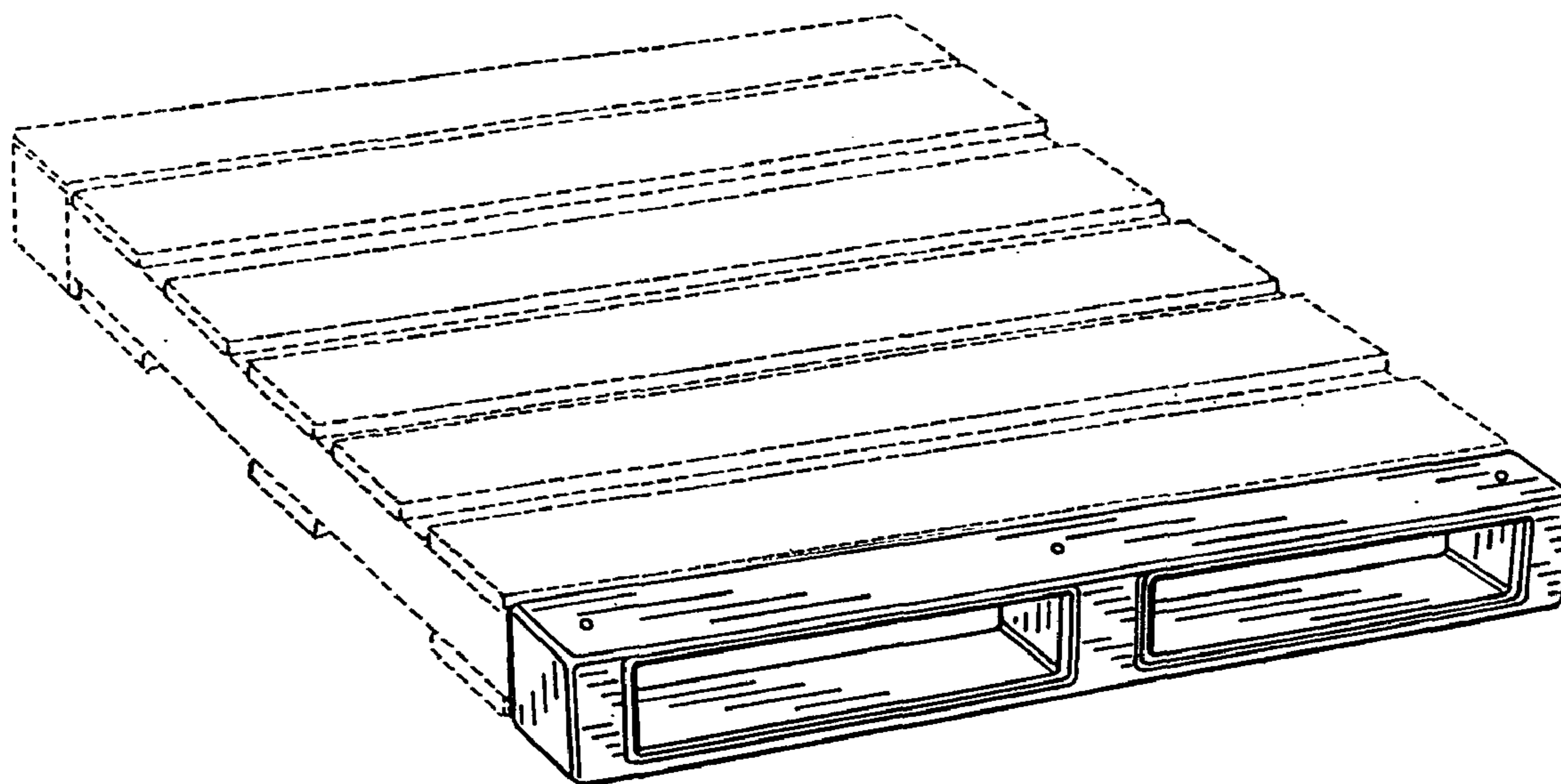
FIG. 4 is a top view of a pallet support of my invention based on FIG. 1;

FIG. 5 is an end plan view of a pallet support of my invention based on FIG. 1;

FIG. 6 is an end plan view of a pallet support of my invention based on FIG. 1 and a reverse view of FIG. 5; and,

FIG. 7 is a rear perspective view of a tapered pallet support of my invention based on FIG. 1.

1 Claim, 2 Drawing Sheets



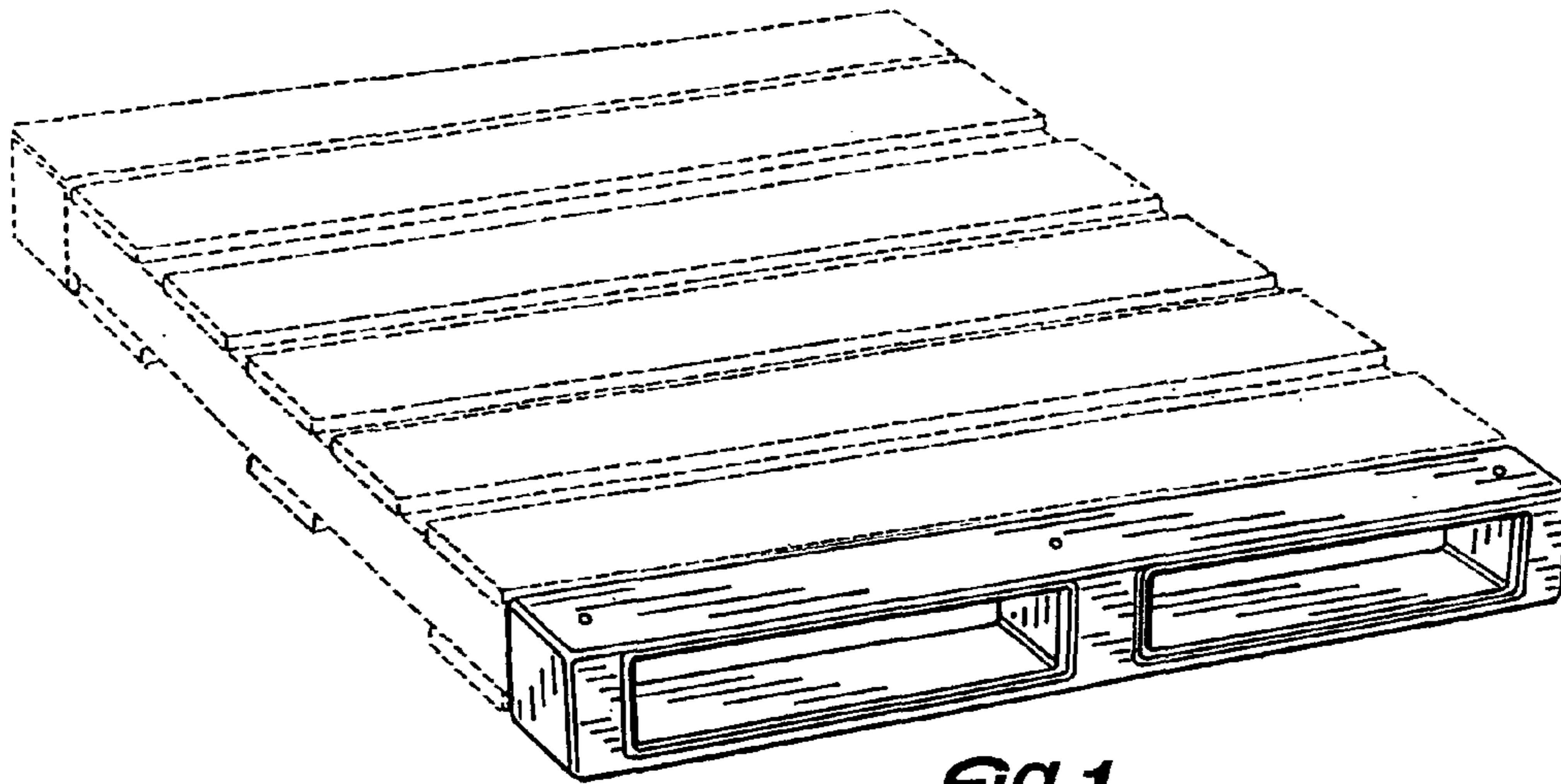


Fig. 1.

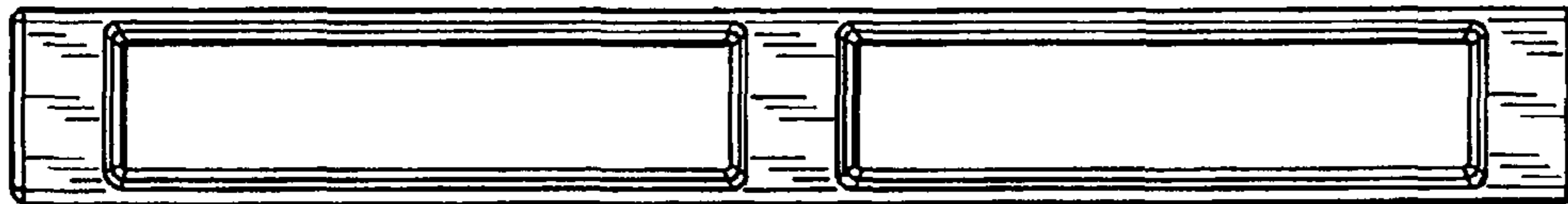


Fig. 2.

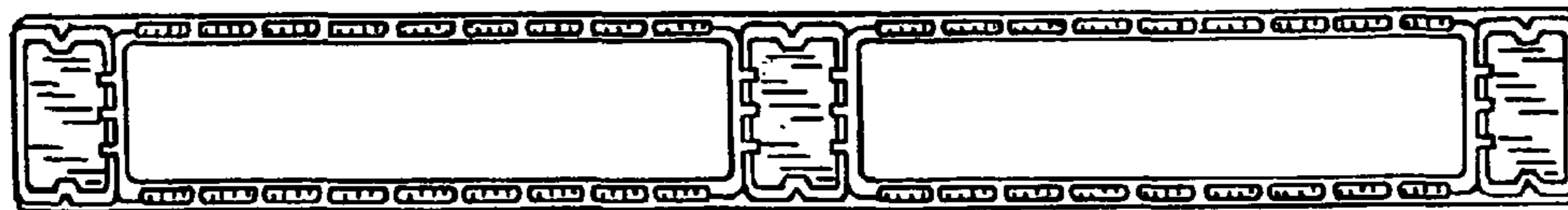


Fig. 3.

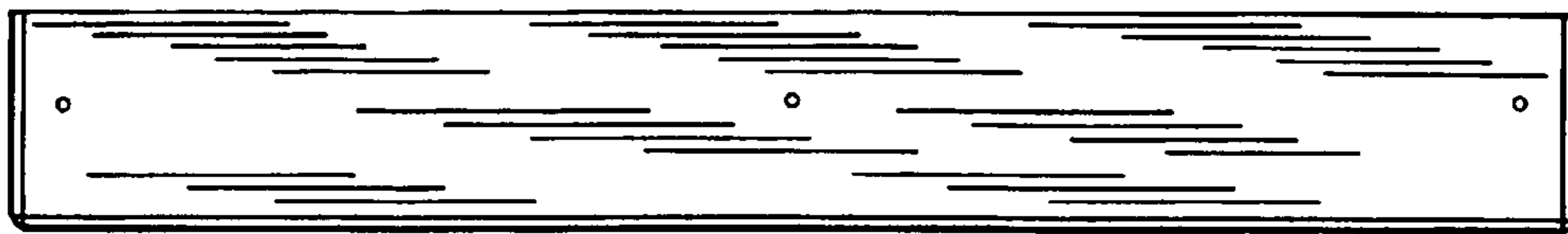


FIG. 4.



FIG. 5.

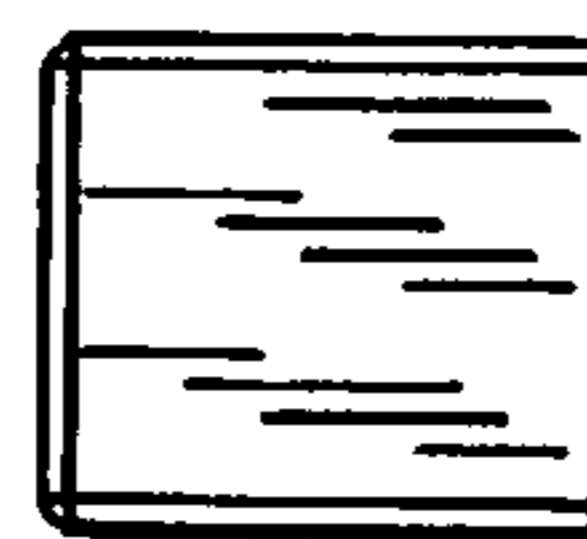


FIG. 6.

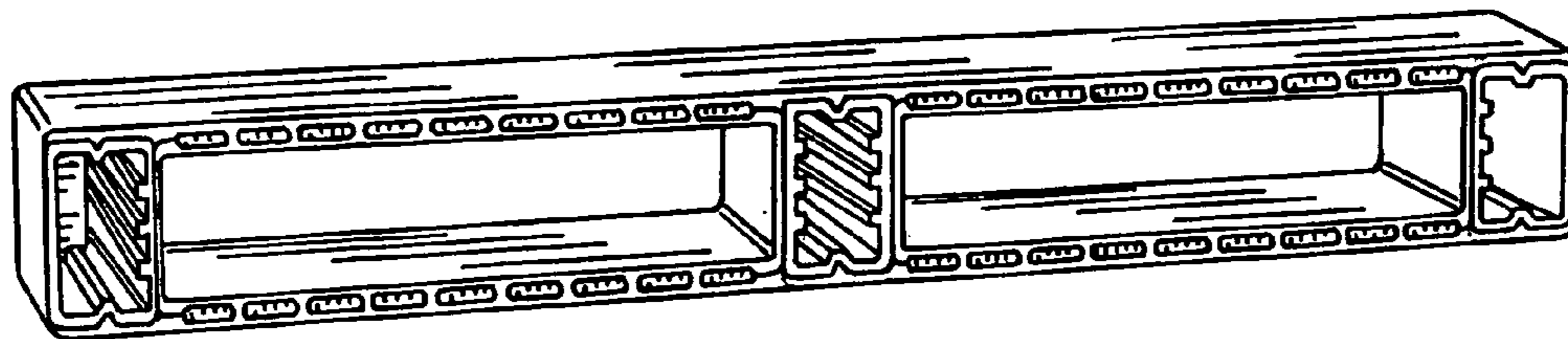


FIG. 7.