



US00D657934S

(12) **United States Design Patent**
Kessler et al.

(10) **Patent No.:** **US D657,934 S**
(45) **Date of Patent:** **** Apr. 17, 2012**

(54) **PALLET SUPPORT**

(76) Inventors: **Robert R. Kessler**, Augusta, IL (US);
Eric Renteria, Mediapolis, IA (US)

(**) Term: **14 Years**

(21) Appl. No.: **29/374,688**

(22) Filed: **Sep. 22, 2011**

Related U.S. Application Data

(60) Division of application No. 29/348,731, filed on Feb. 2, 2010, which is a continuation-in-part of application No. 29/305,558, filed on Mar. 24, 2008, now Pat. No. Des. 612,566.

(51) **LOC (9) Cl.** **09-08**

(52) **U.S. Cl.** **D34/38**

(58) **Field of Classification Search** D34/38;
108/51.11, 51.3, 53.1, 53.3, 53.5, 56.1, 573.18;
206/386, 597, 599, 600

See application file for complete search history.

(56) **References Cited**

U.S. PATENT DOCUMENTS

3,940,101 A * 2/1976 Heidelberg 248/346.4
4,509,433 A * 4/1985 Farr 108/52.1
4,960,209 A * 10/1990 Tudor 206/597

D416,782 S * 11/1999 Reinhardt D8/354
D453,057 S * 1/2002 Sewell D34/38
6,926,144 B1 * 8/2005 Schnaars et al. 206/386
D547,024 S * 7/2007 Brefka et al. D34/38
D551,424 S * 9/2007 Meisen et al. D34/38
D612,566 S * 3/2010 Kessler D34/38

* cited by examiner

Primary Examiner — Cynthia Ramirez

(74) *Attorney, Agent, or Firm* — Mathew R. P. Perrone, Jr.;
Brie A. Crawford

(57) **CLAIM**

The ornamental design for a pallet support, as shown and described.

DESCRIPTION

FIG. 1 is a front perspective view of a pallet support showing my new design;

FIG. 2 is a front plan view thereof;

FIG. 3 is a rear plan view thereof;

FIG. 4 is a top plan view thereof;

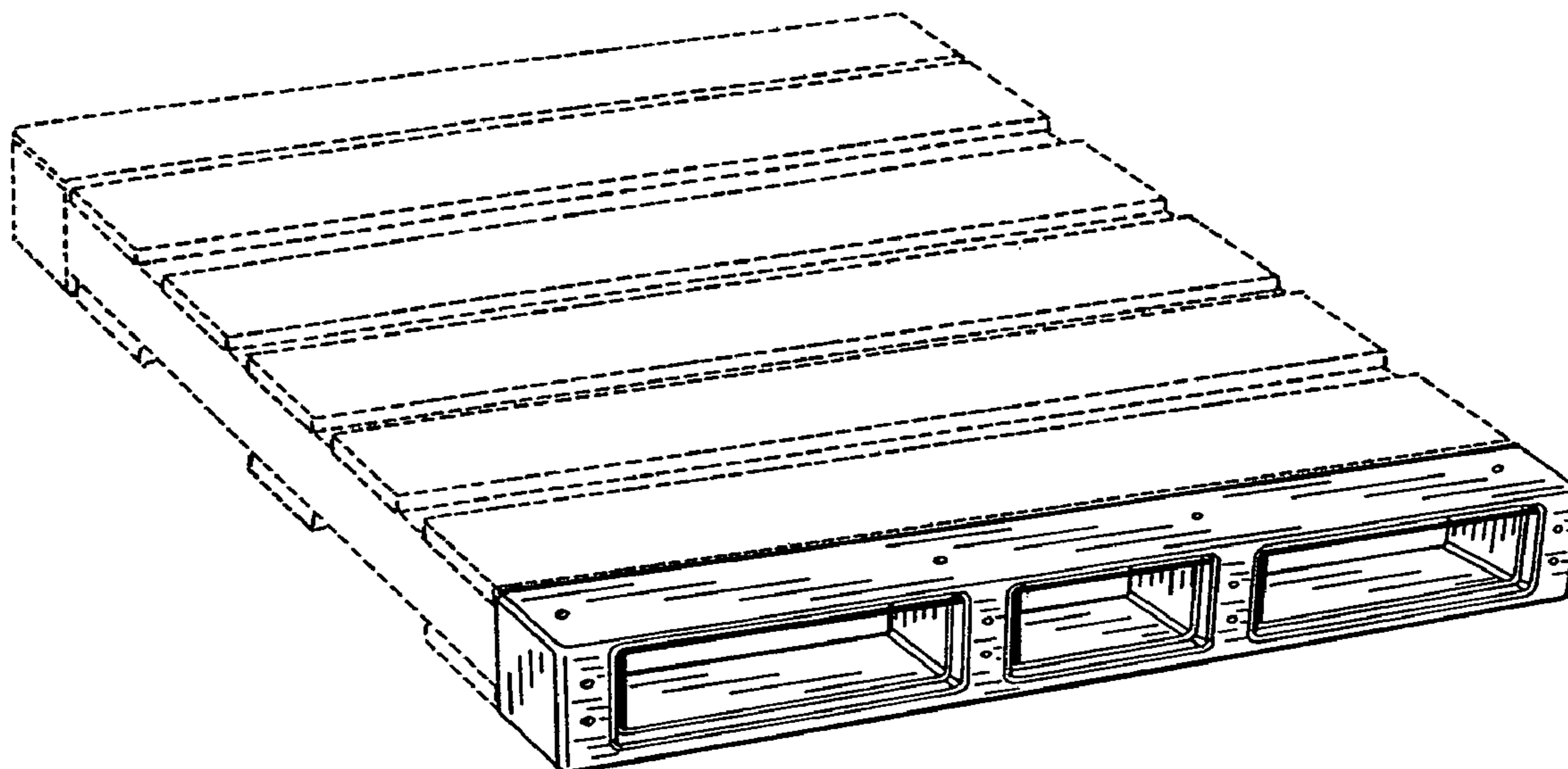
FIG. 5 is an end plan view thereof;

FIG. 6 is another end plan view thereof; and,

FIG. 7 is a rear perspective view thereof.

The broken lines shown in FIG. 1 are included for the purpose of illustrating environment and form no part of the claimed design.

1 Claim, 2 Drawing Sheets



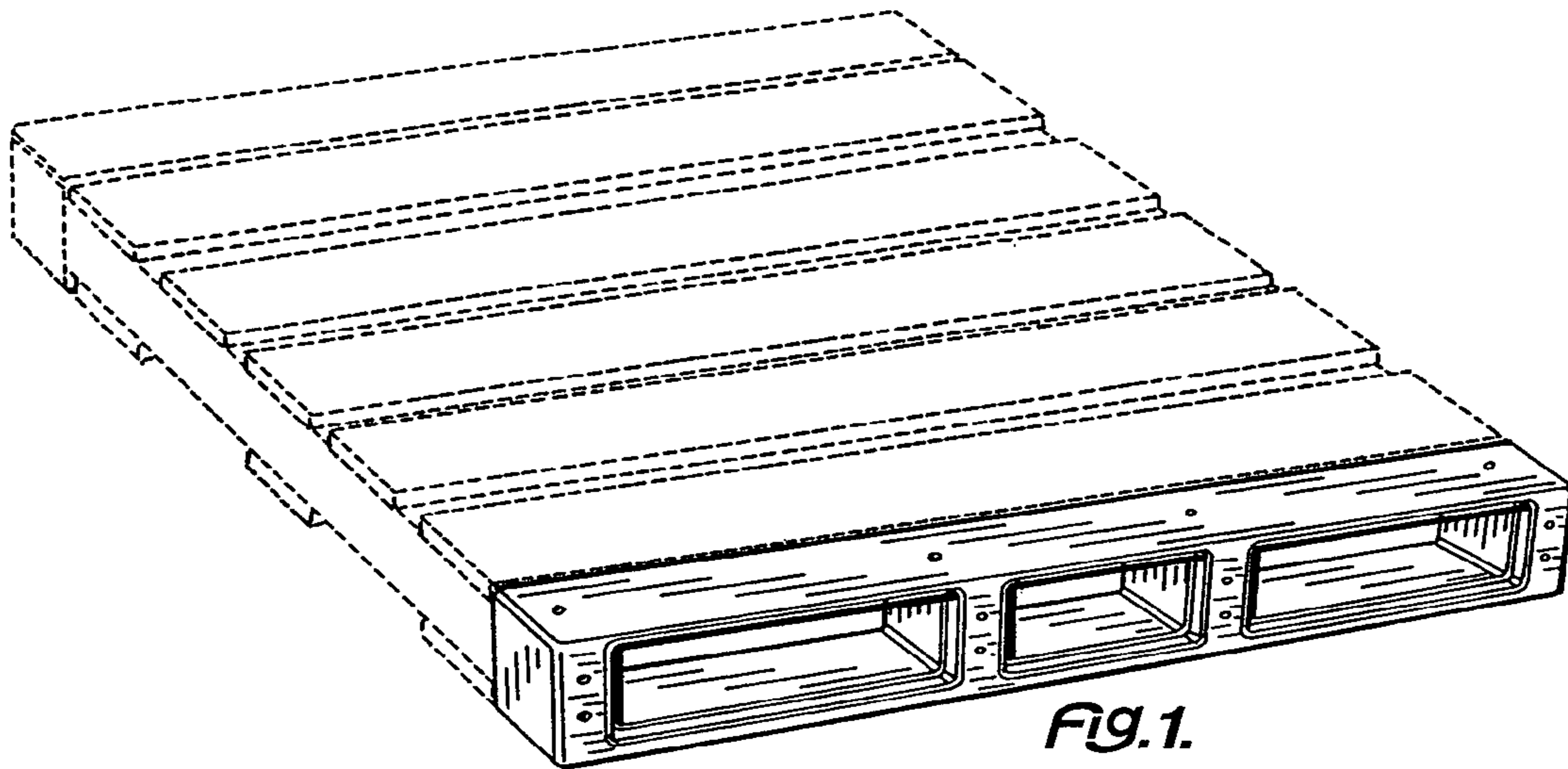


Fig. 1.

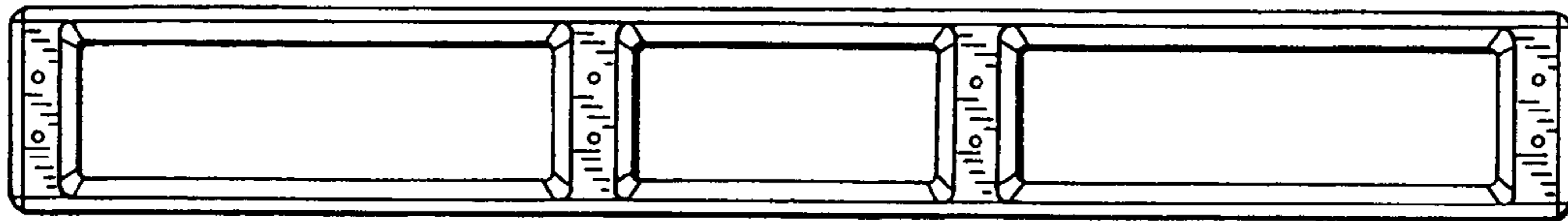


Fig. 2.

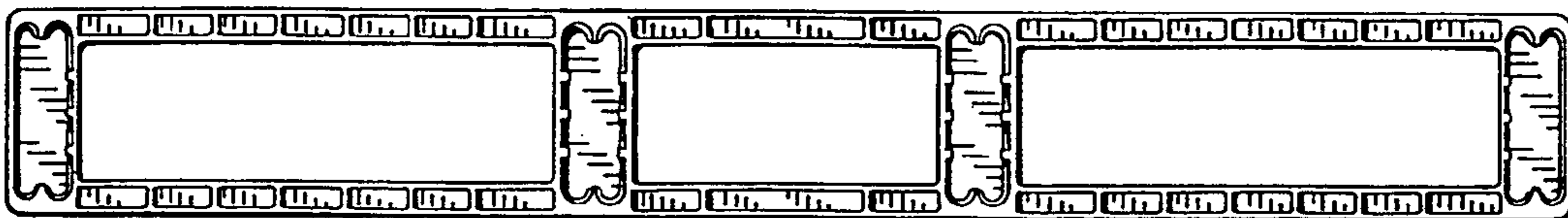


Fig. 3.

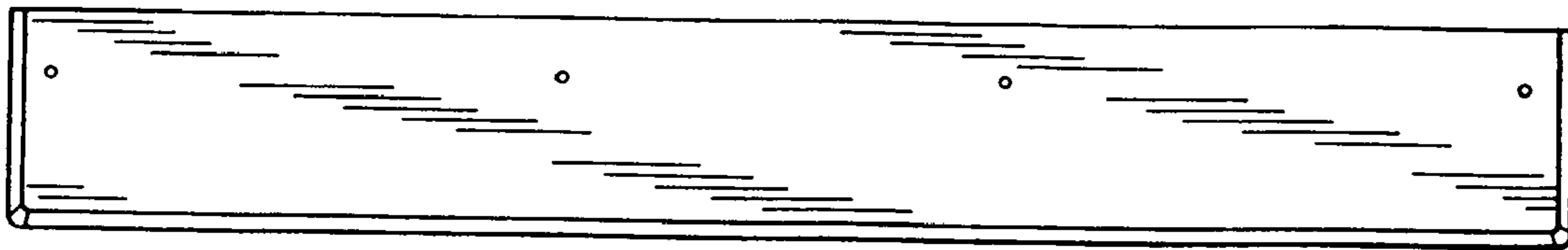


Fig. 4.



Fig. 5.

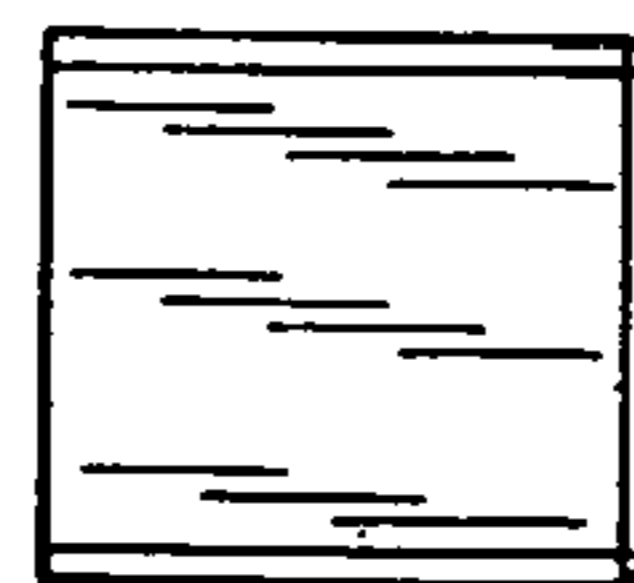


Fig. 6.

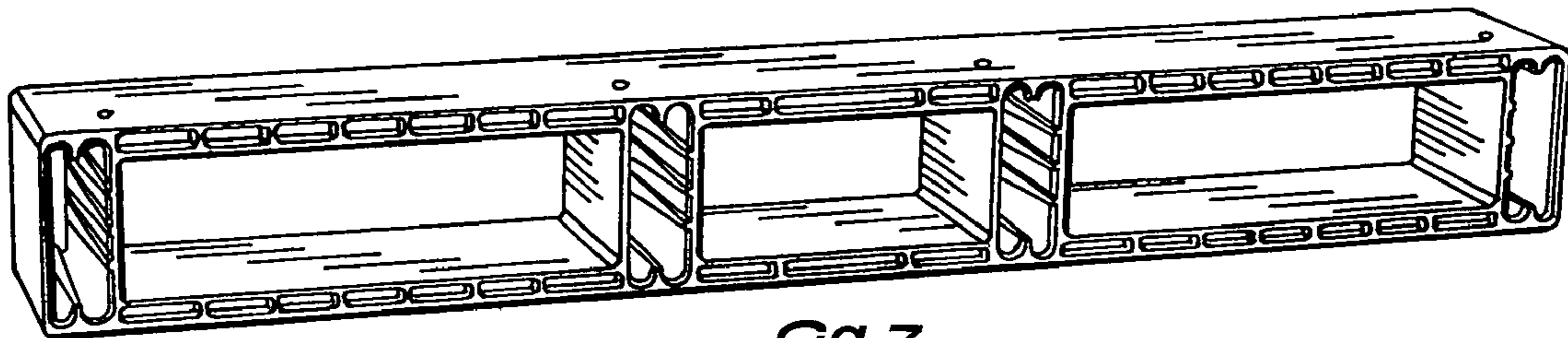


Fig. 7.