



US00D657933S

(12) **United States Design Patent**  
**Hamm et al.**

(10) **Patent No.:** **US D657,933 S**

(45) **Date of Patent:** **\*\* Apr. 17, 2012**

(54) **HANDLE**

(75) Inventors: **James E. Hamm**, Grafton, OH (US);  
**Lawrence Feskanich, Jr.**, Olmsted  
Township, OH (US)

(73) Assignee: **Emerson Electric Co.**, St. Louis, MO  
(US)

(\*\*) **Term:** **14 Years**

(21) **Appl. No.:** **29/397,751**

(22) **Filed:** **Jul. 20, 2011**

(51) **LOC (9) Cl.** ..... **12-05**

(52) **U.S. Cl.** ..... **D34/35; D34/31**

(58) **Field of Classification Search** ..... D34/28,  
D34/31, 35; 254/1, 12, 13, 92, 93 A, 93 H,  
254/95, 96, 98, 99, 100, 102, 101, 103  
See application file for complete search history.

(56) **References Cited**

**U.S. PATENT DOCUMENTS**

649,785	A	5/1900	Weinert	
795,547	A *	7/1905	Scaramuzza	28/287
1,784,991	A	12/1930	Holmes	
1,864,603	A *	6/1932	Lucker	254/102
1,912,475	A *	6/1933	Countryman	254/100
1,916,476	A *	7/1933	Harbaugh et al.	254/100

2,065,564	A *	12/1936	Cramer	254/100
3,030,073	A *	4/1962	Rhoads	254/7 R
3,565,399	A *	2/1971	Kelly	254/100
3,603,552	A	9/1971	Wheelock	
4,221,363	A	9/1980	Jasper	
D266,197	S *	9/1982	Colton	D34/31
4,558,848	A *	12/1985	Rutter	254/100
D313,300	S *	12/1990	Robertson	D34/31
D329,113	S *	9/1992	Kim	D34/31
5,297,779	A	3/1994	Collins et al.	
5,953,802	A *	9/1999	Radzio	29/239
5,971,362	A *	10/1999	Clark	254/100

\* cited by examiner

*Primary Examiner* — Cynthia Ramirez

(74) *Attorney, Agent, or Firm* — Rankin, Hill & Clark LLP

(57) **CLAIM**

The ornamental design for handle, as shown and described.

**DESCRIPTION**

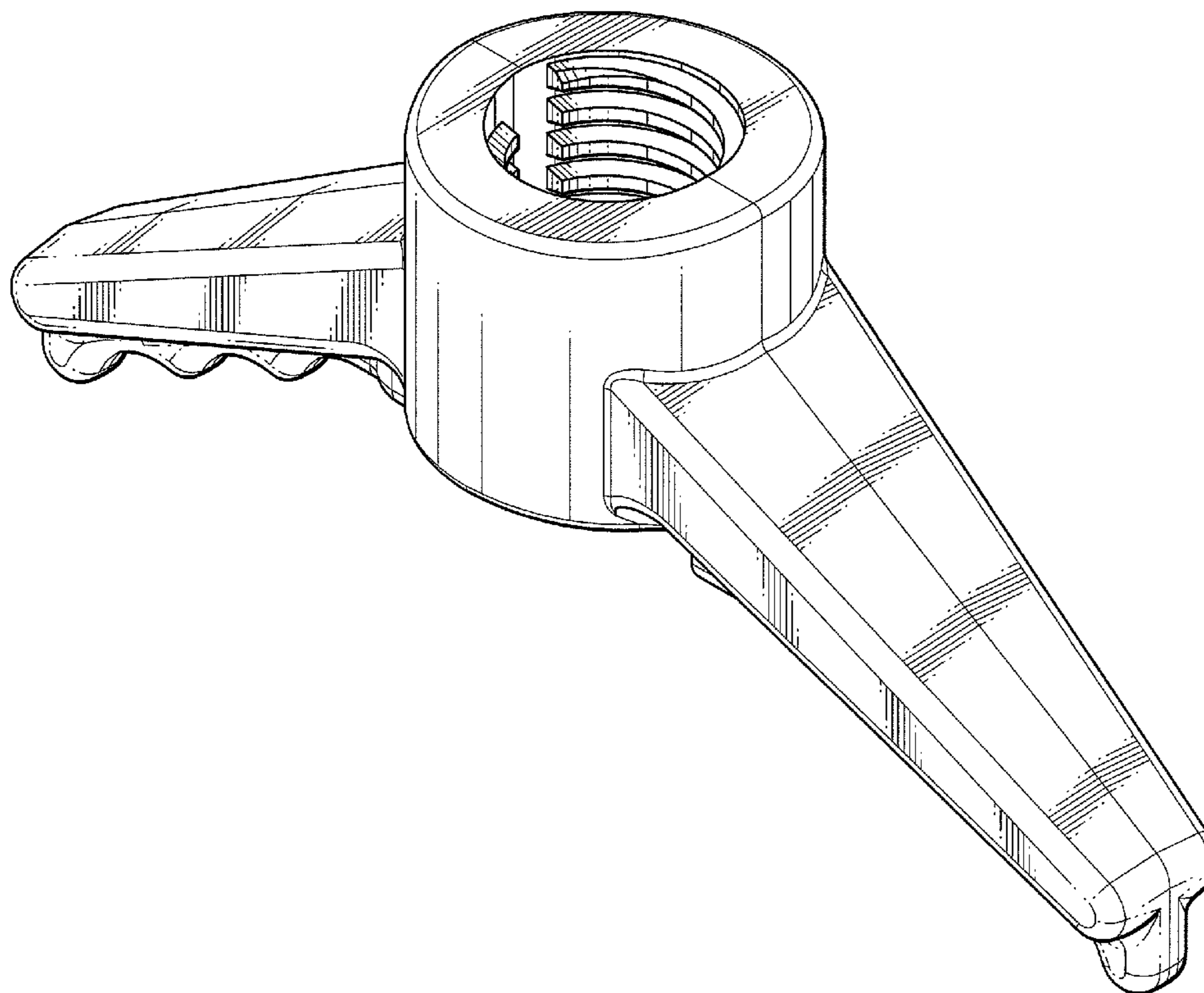
FIG. 1 is a perspective view illustrating a top face of a handle. FIG. 2 is a perspective view illustrating a bottom face of the handle of FIG. 1.

FIG. 3 is a front and rear elevational view of the handle of FIG. 1.

FIG. 4 is a right side and left side view of the handle of FIG. 1.

FIG. 5 is a bottom plan view of the handle of FIG. 1; and, FIG. 6 is a top plan view of the handle of FIG. 1.

**1 Claim, 6 Drawing Sheets**



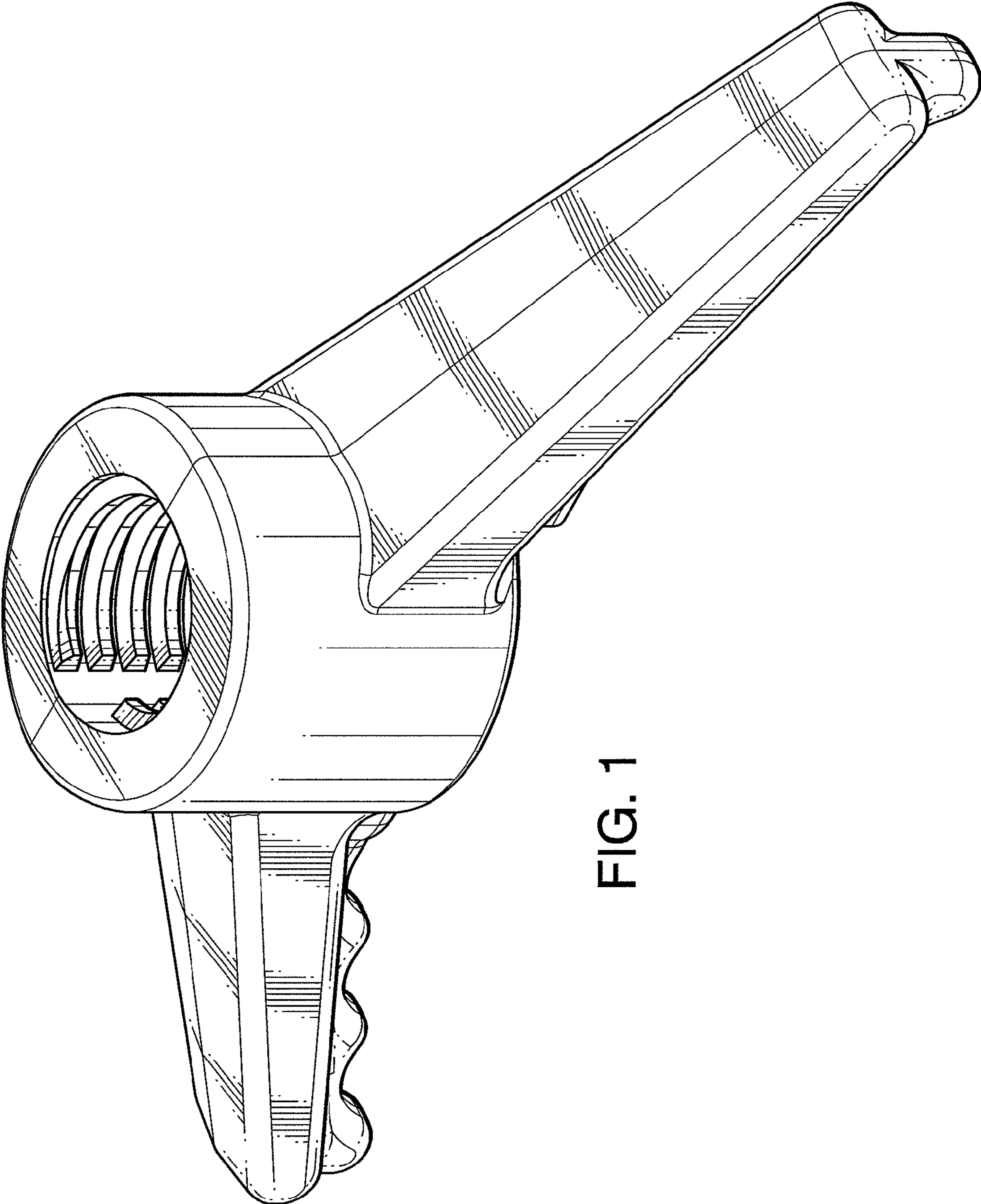
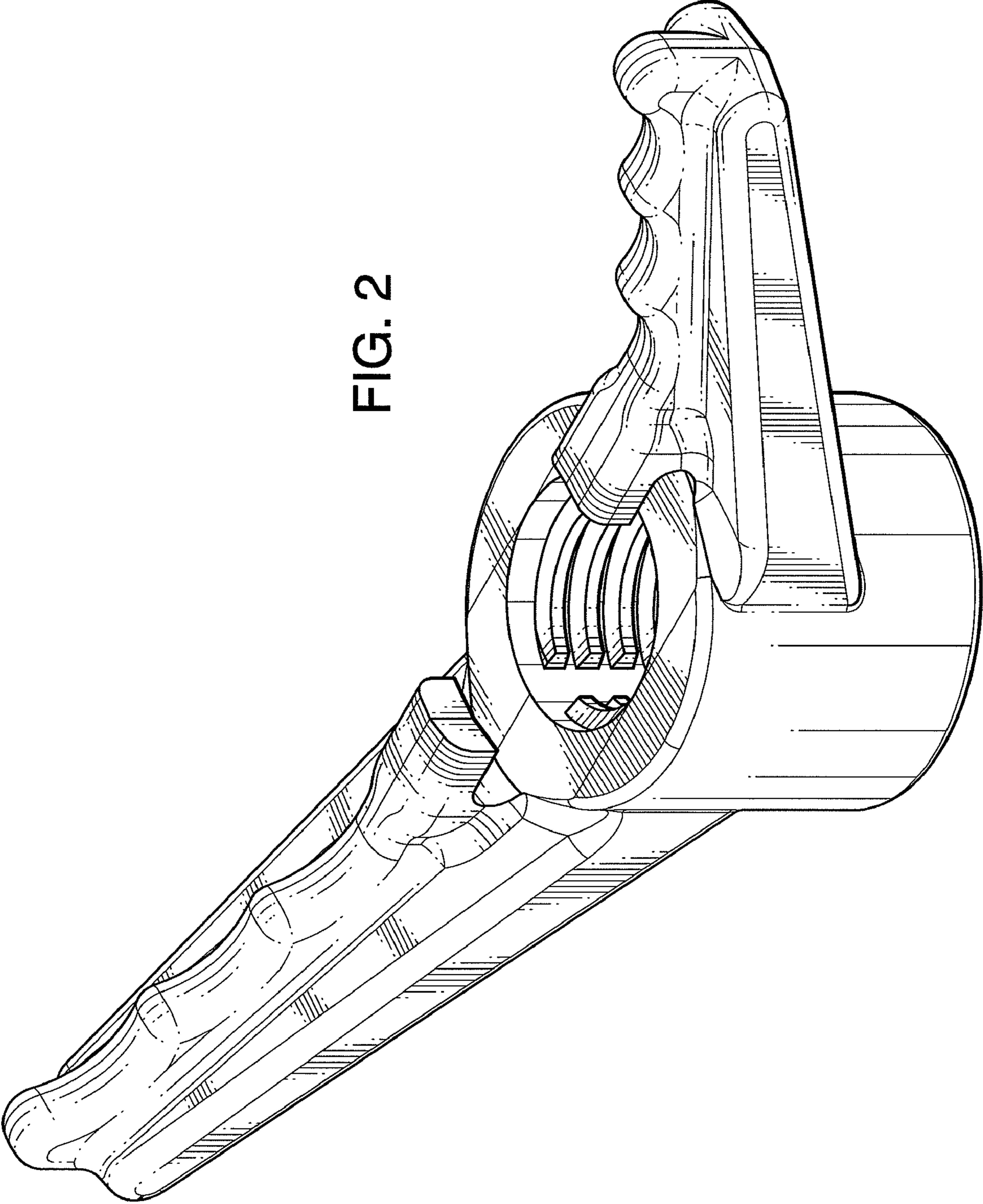
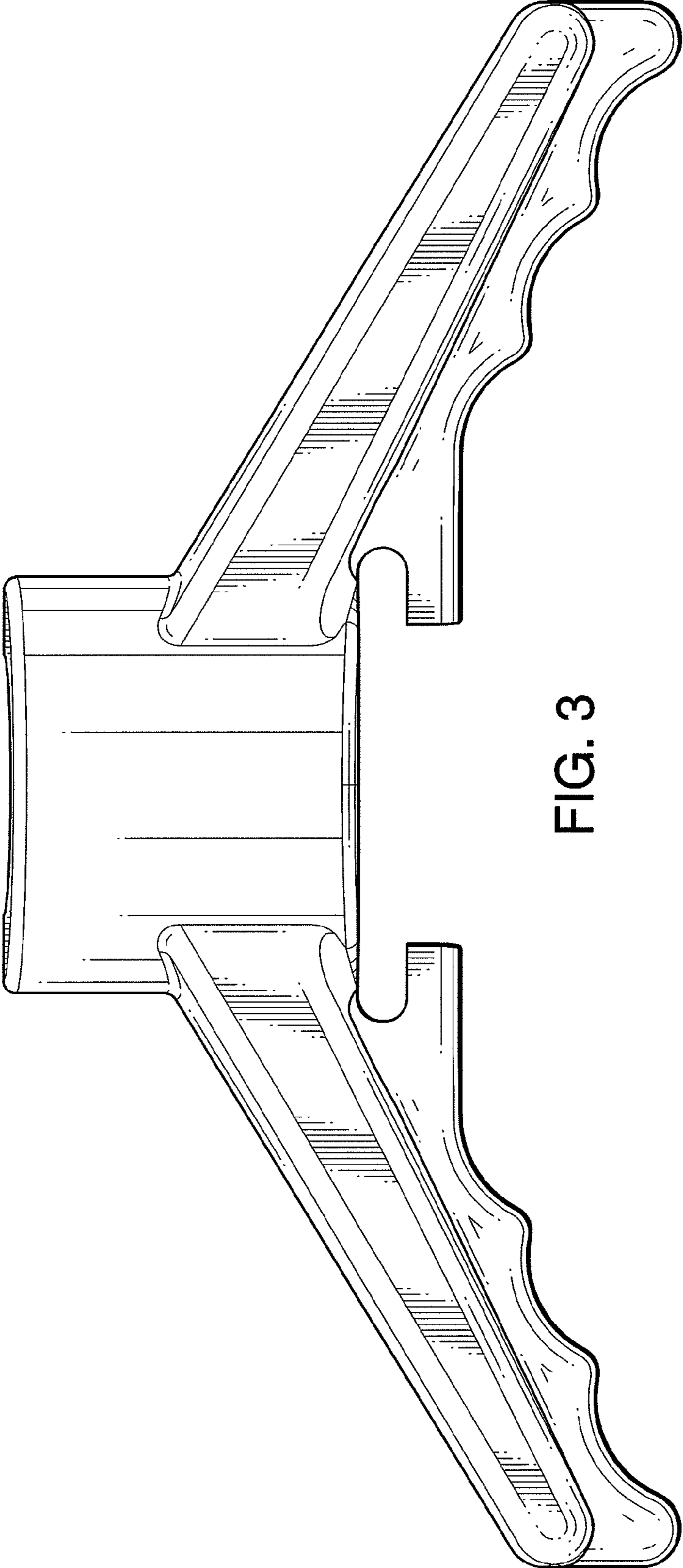


FIG. 1

FIG. 2





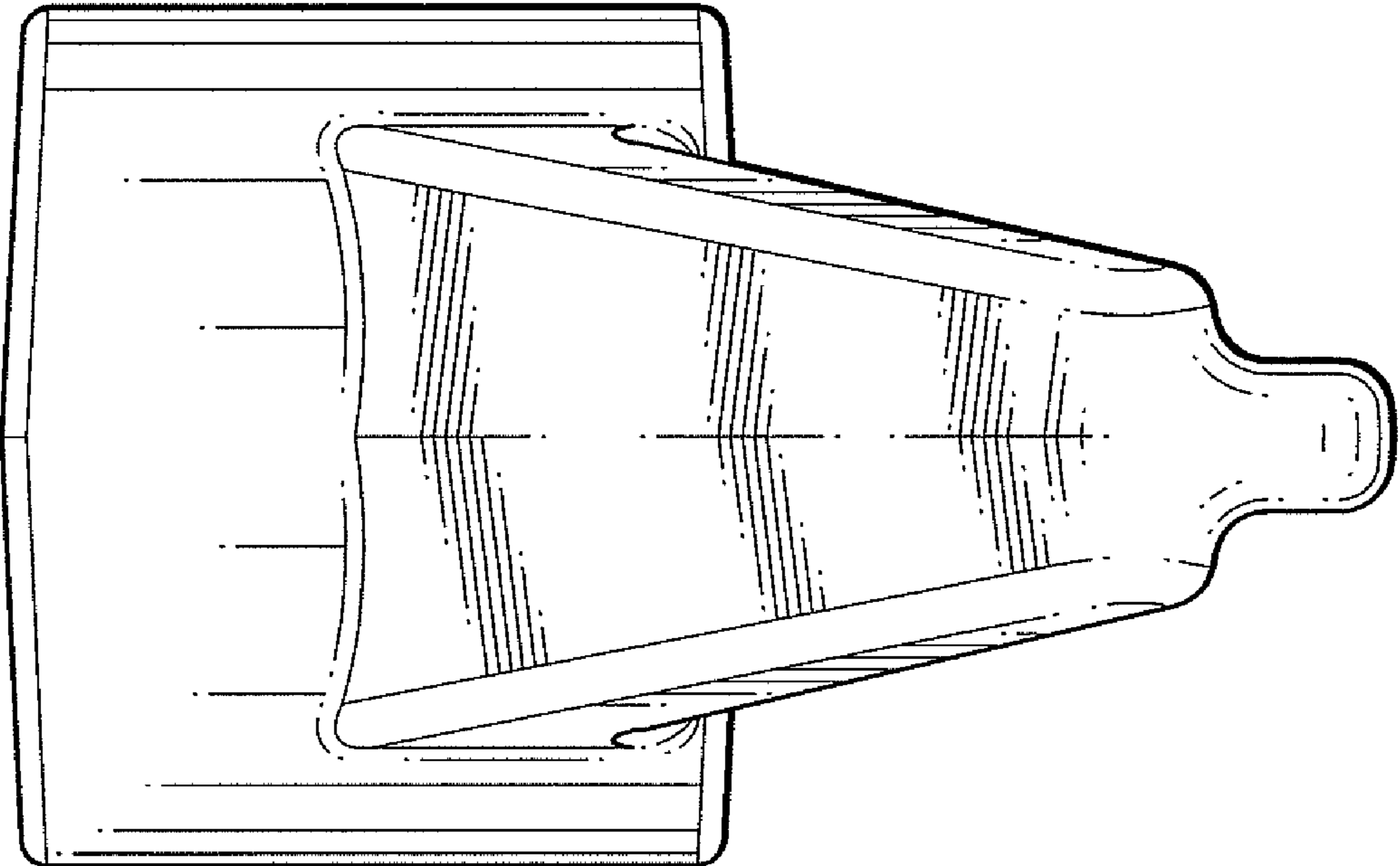


FIG. 4

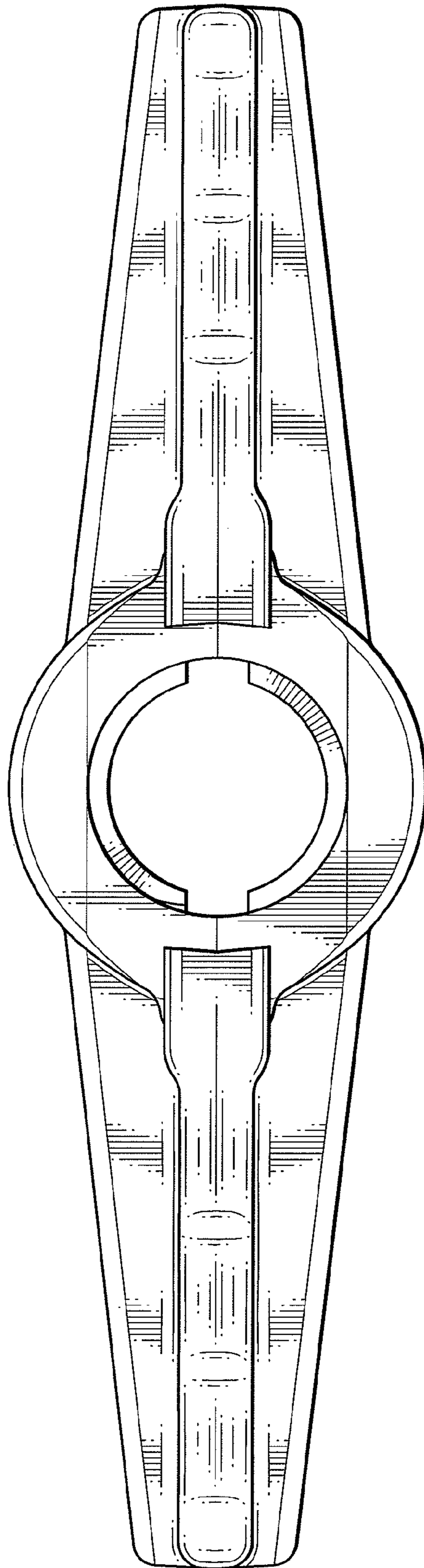


FIG. 5

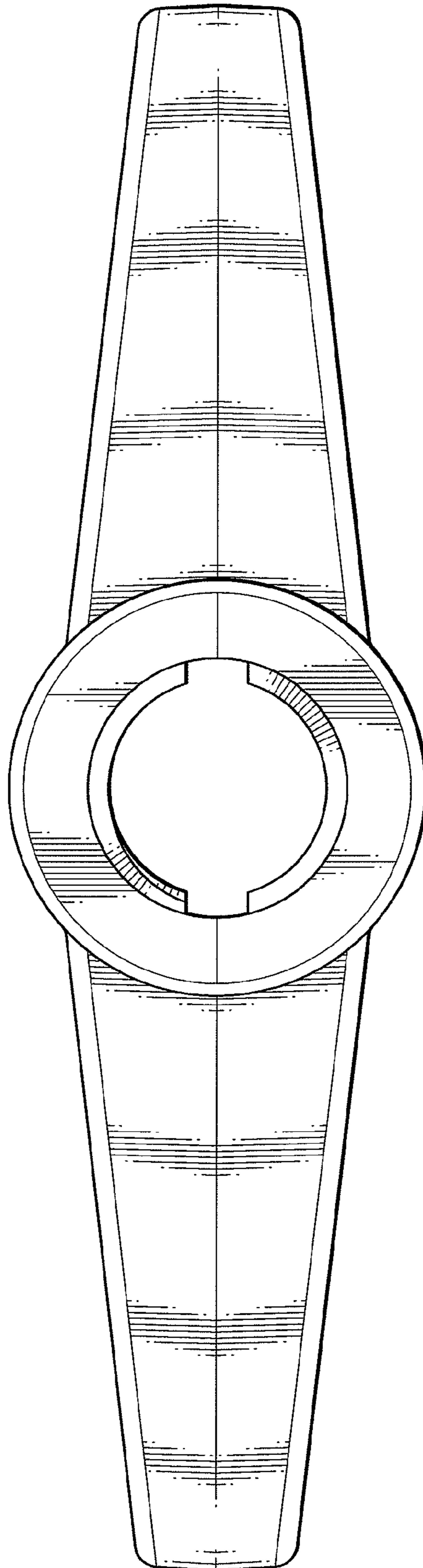


FIG. 6