



US00D657932S

(12) **United States Design Patent**
Kazaoka et al.

(10) **Patent No.:** **US D657,932 S**
(45) **Date of Patent:** **** Apr. 17, 2012**

(54) **FORKLIFT TRUCK**
(75) Inventors: **Naoki Kazaoka**, Tokyo (JP); **Mitsuaki Matsukuma**, Tokyo (JP); **Ryota Adachi**, Tokyo (JP)

(73) Assignee: **Mitsubishi Heavy Industries, Ltd.**, Tokyo (JP)

(**) Term: **14 Years**

(21) Appl. No.: **29/398,220**

(22) Filed: **Jul. 28, 2011**

(51) **LOC (9) Cl.** **12-05**

(52) **U.S. Cl.** **D34/34**

(58) **Field of Classification Search** D34/34;
187/222, 238, 237; 414/572, 592, 631, 785,
414/640; 180/89.12, 89.13, 89.17

See application file for complete search history.

(56) **References Cited**

U.S. PATENT DOCUMENTS

D242,337 S *	11/1976	De priester et al.	D34/37
D369,010 S *	4/1996	Soederberg	D34/34
D384,476 S *	9/1997	Rick et al.	D34/34
D386,872 S *	11/1997	Rick et al.	D34/34
D386,877 S *	11/1997	Russey et al.	D34/34
D396,928 S *	8/1998	Hahn et al.	D34/34
D441,936 S *	5/2001	Brandt et al.	D34/28
D469,236 S *	1/2003	Mitsuyoshi et al.	D34/34

D470,990 S *	2/2003	Han et al.	D34/34
D526,460 S *	8/2006	Goto et al.	D34/34
D557,474 S *	12/2007	Kouyama et al.	D34/34
D570,575 S *	6/2008	Stark	D34/34
D576,775 S *	9/2008	Buchmann et al.	D34/35
D584,873 S *	1/2009	Kuraoka et al.	D34/34
D594,173 S *	6/2009	Shibata et al.	D34/34
D601,325 S *	9/2009	Tanaka et al.	D34/34
D612,563 S *	3/2010	Stark	D34/34
D613,474 S *	4/2010	Yakushi	D34/34
D649,322 S *	11/2011	Bartlett et al.	D34/35

* cited by examiner

Primary Examiner — Cynthia Ramirez

(74) *Attorney, Agent, or Firm* — Birch, Stewart, Kolasch & Birch, LLP

(57) **CLAIM**

The ornamental design for a forklift truck, as shown and described.

DESCRIPTION

FIG. 1 is a perspective view of a forklift truck in accordance with our invention;

FIG. 2 is a right side elevation view thereof;

FIG. 3 is a left side elevation view thereof;

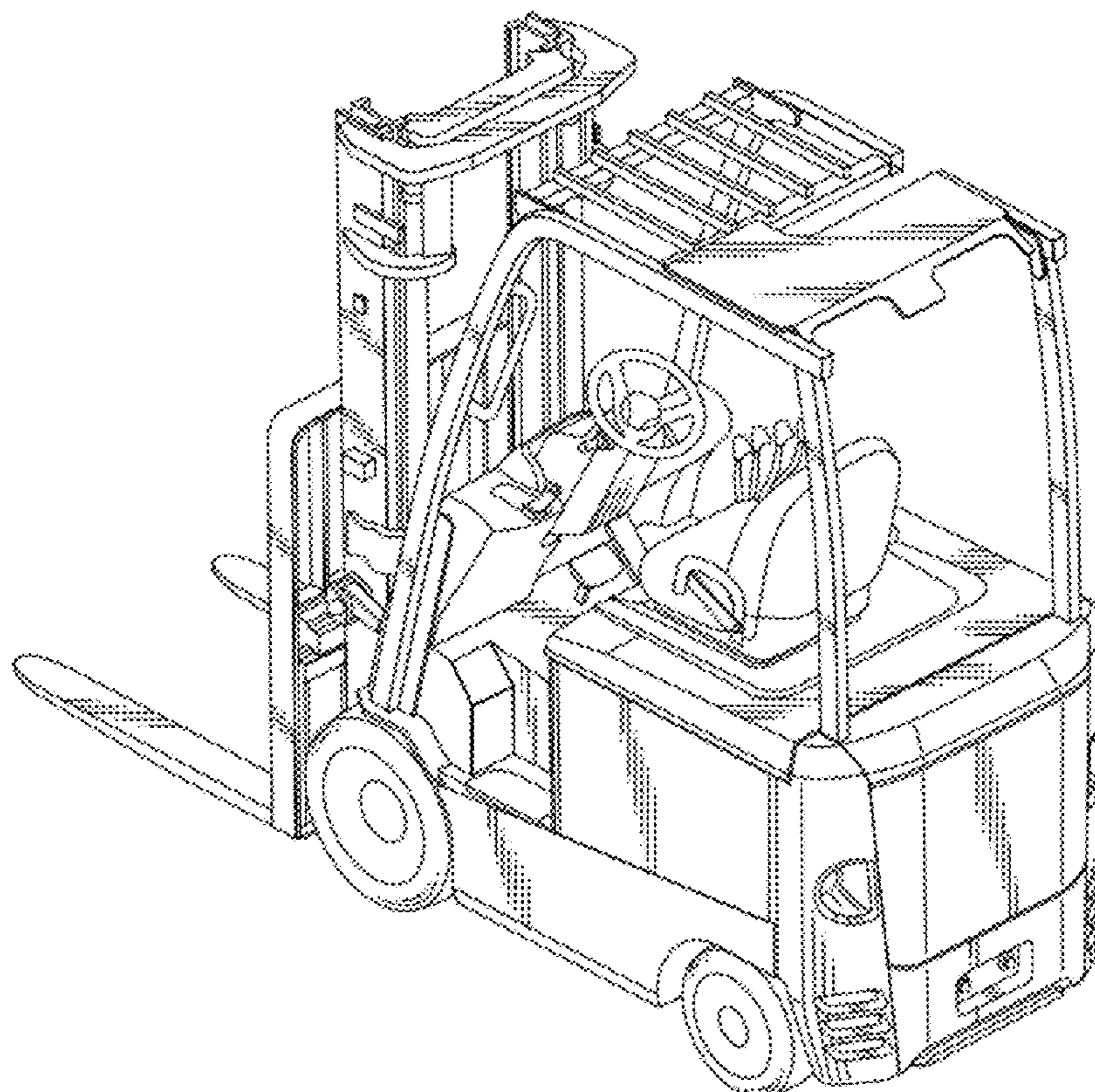
FIG. 4 is a front elevation view thereof;

FIG. 5 is a rear elevation view thereof;

FIG. 6 is a top plan view thereof; and,

FIG. 7 is a bottom plan view thereof.

1 Claim, 7 Drawing Sheets



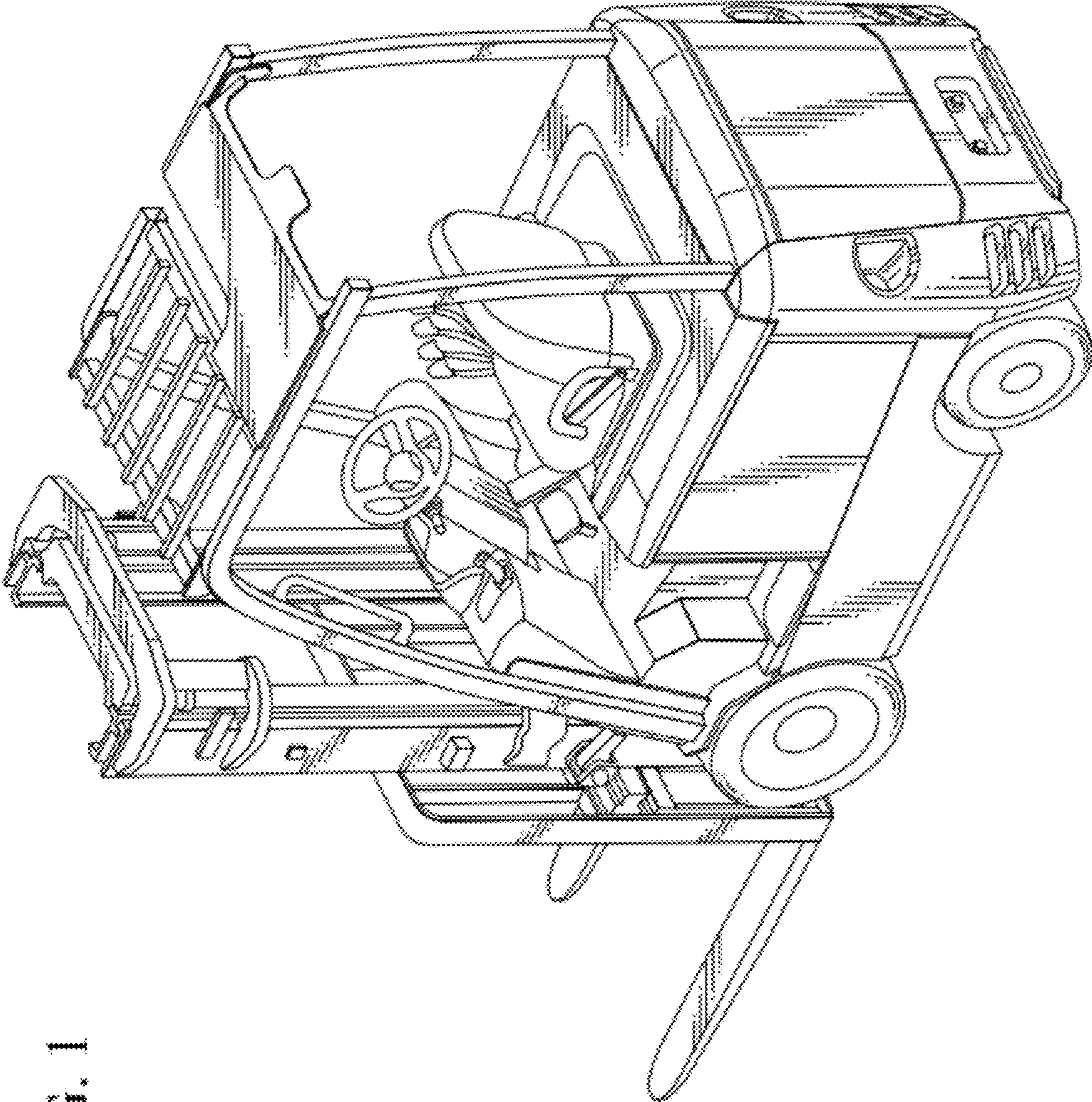


FIG. 1

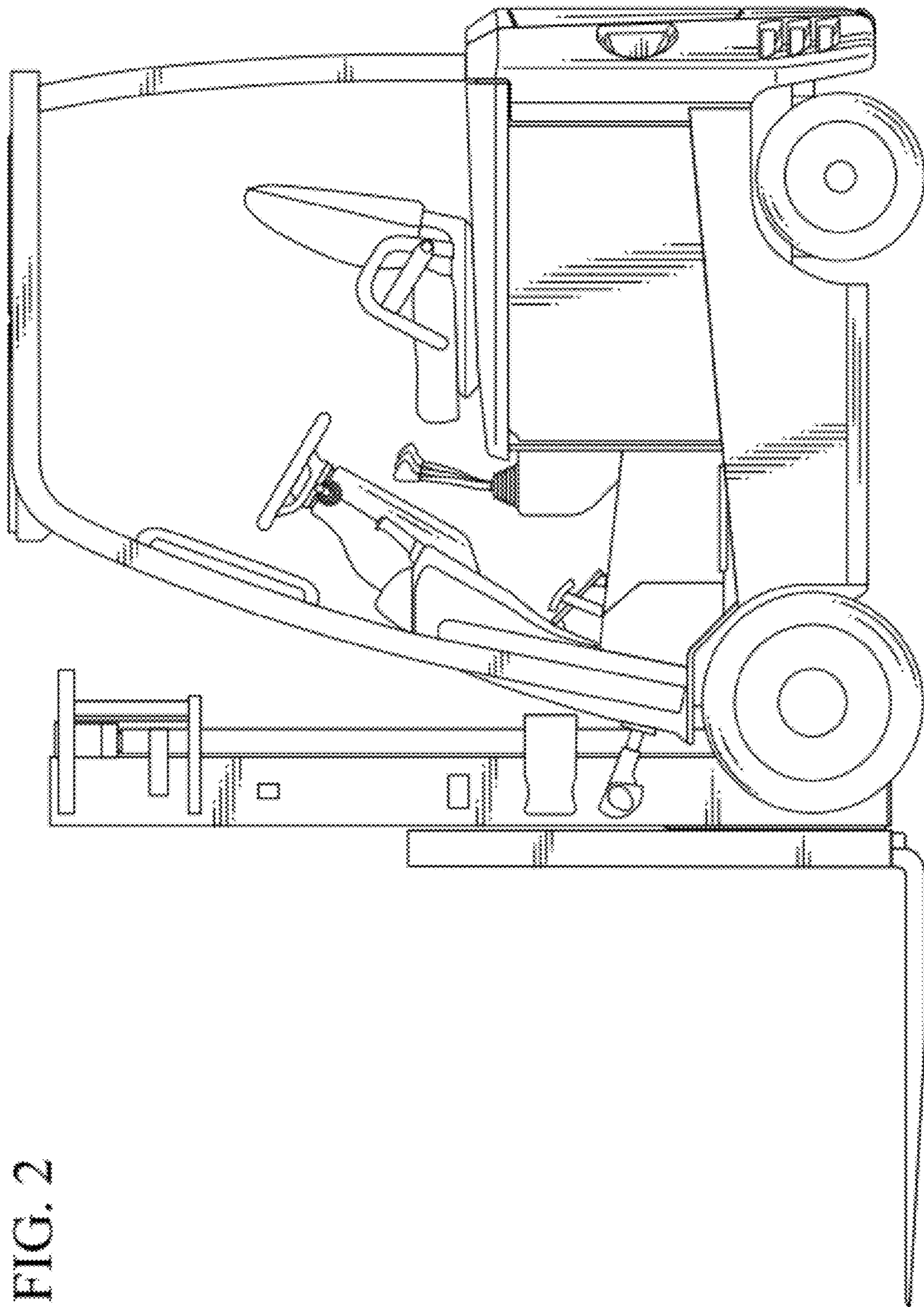


FIG. 2

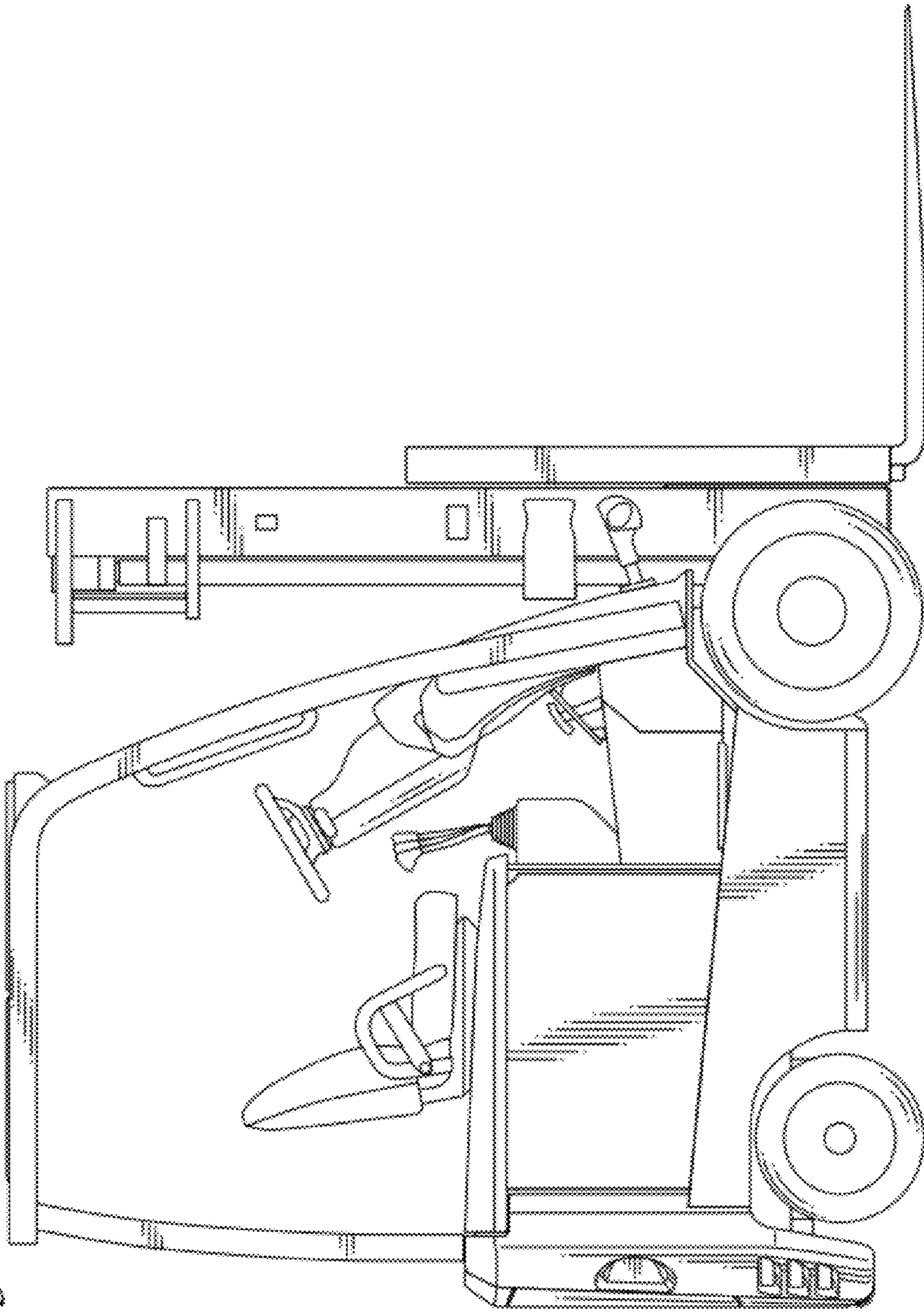


FIG. 3

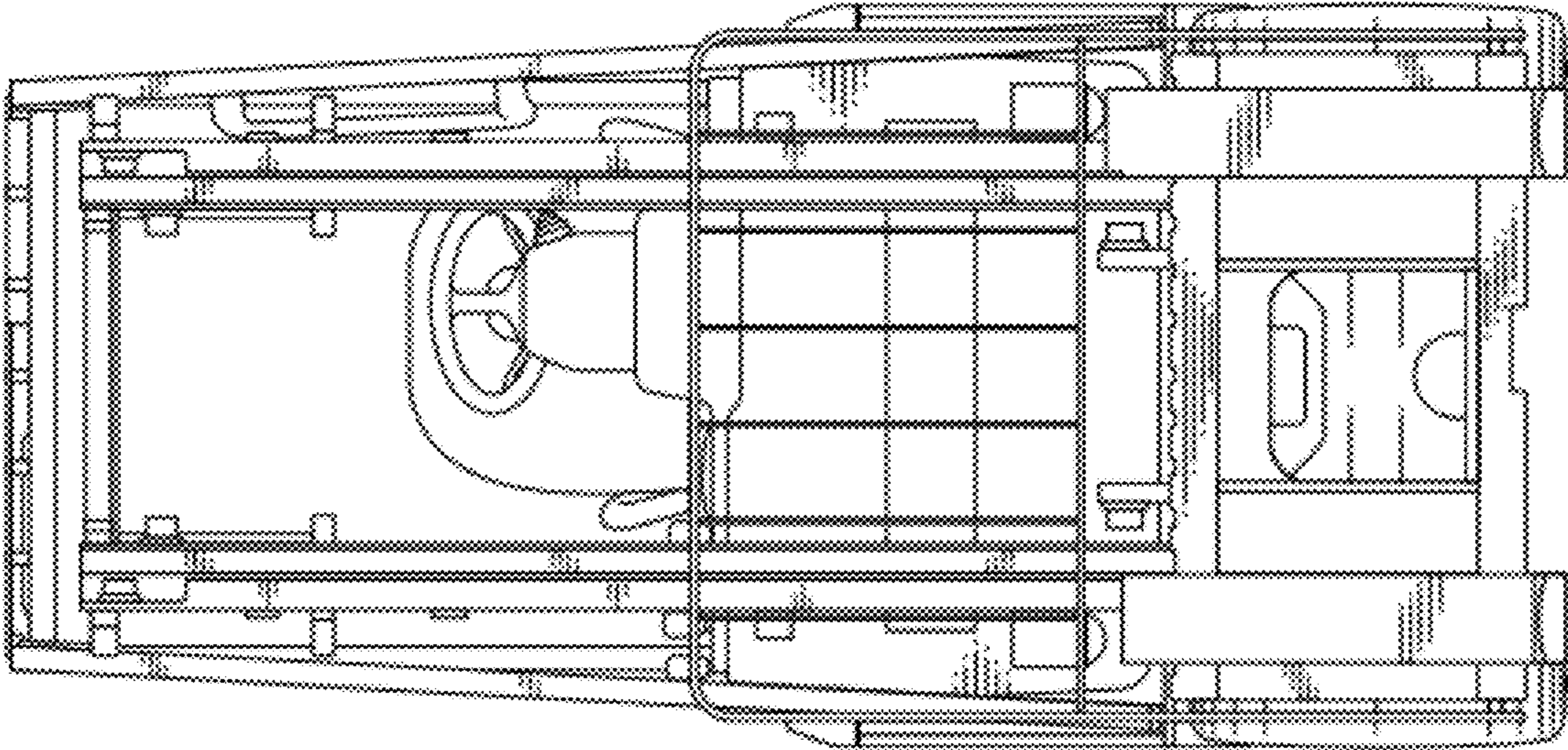


FIG. 4

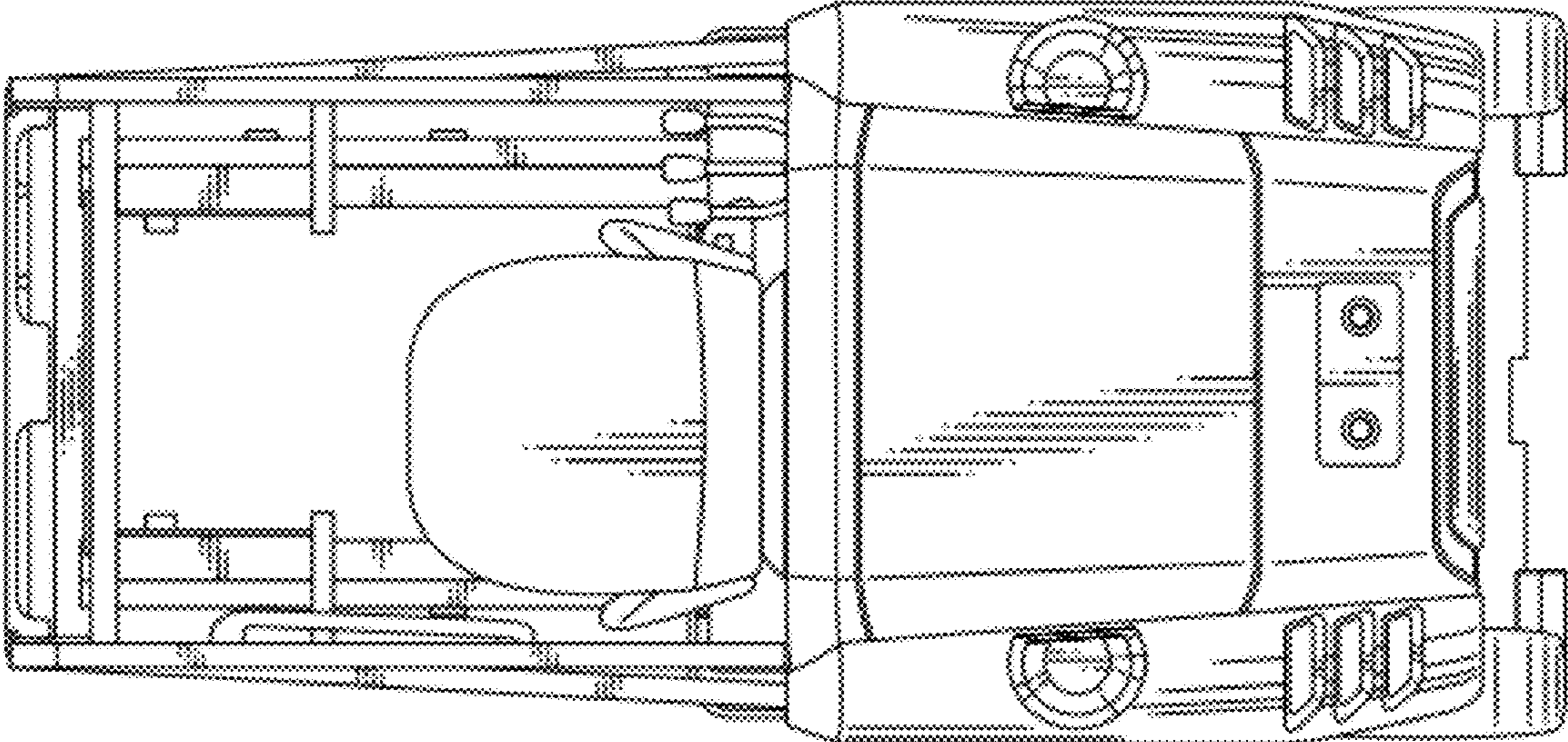


FIG. 5

FIG. 6

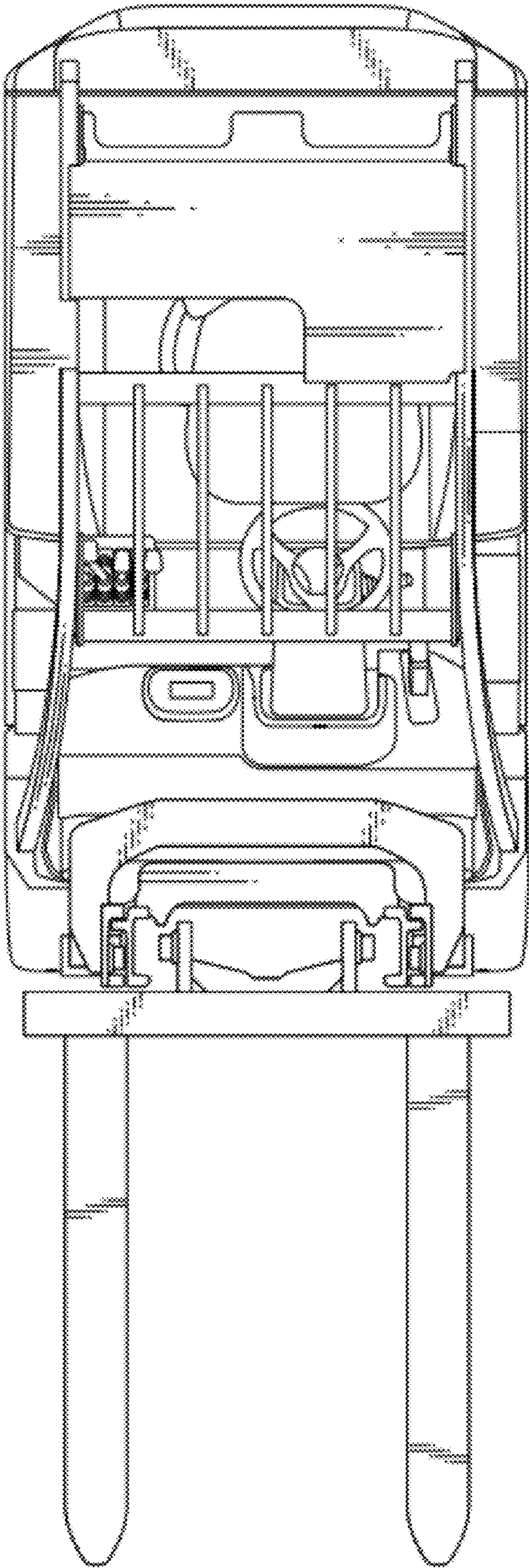


FIG. 7

