



US00D657930S

(12) **United States Design Patent**
Savage, Jr.

(10) **Patent No.:** **US D657,930 S**

(45) **Date of Patent:** **** Apr. 17, 2012**

(54) **RATCHET SCISSOR JACK**

(76) **Inventor:** **Les Savage, Jr.**, Port Monmouth, NJ
(US)

(**) **Term:** **14 Years**

(21) **Appl. No.:** **29/370,887**

(22) **Filed:** **Sep. 17, 2010**

(51) **LOC (9) Cl.** **12-05**

(52) **U.S. Cl.** **D34/31**

(58) **Field of Classification Search** D34/28,
D34/31; 254/8 B, 84, 11, 93 H, 2 B, DIG. 3,
254/126, 122

See application file for complete search history.

(56) **References Cited**

U.S. PATENT DOCUMENTS

1,954,558	A *	4/1934	Conrad	254/126
4,509,724	A *	4/1985	Okada	254/126
4,558,848	A *	12/1985	Rutter	254/100
4,653,727	A *	3/1987	Chang et al.	254/1
4,802,653	A *	2/1989	Engel	254/126
5,064,171	A *	11/1991	Engel	254/126
5,199,688	A *	4/1993	Engel	254/126
D340,566	S *	10/1993	Thomas	D34/31

D357,788	S *	4/1995	Everett	D34/31
5,603,486	A *	2/1997	Liu	254/8 B
D481,849	S *	11/2003	Waltz et al.	D34/31
2011/0006273	A1 *	1/2011	Chen	254/126

* cited by examiner

Primary Examiner — Cynthia Ramirez

(74) *Attorney, Agent, or Firm* — Ruth Eure

(57) **CLAIM**

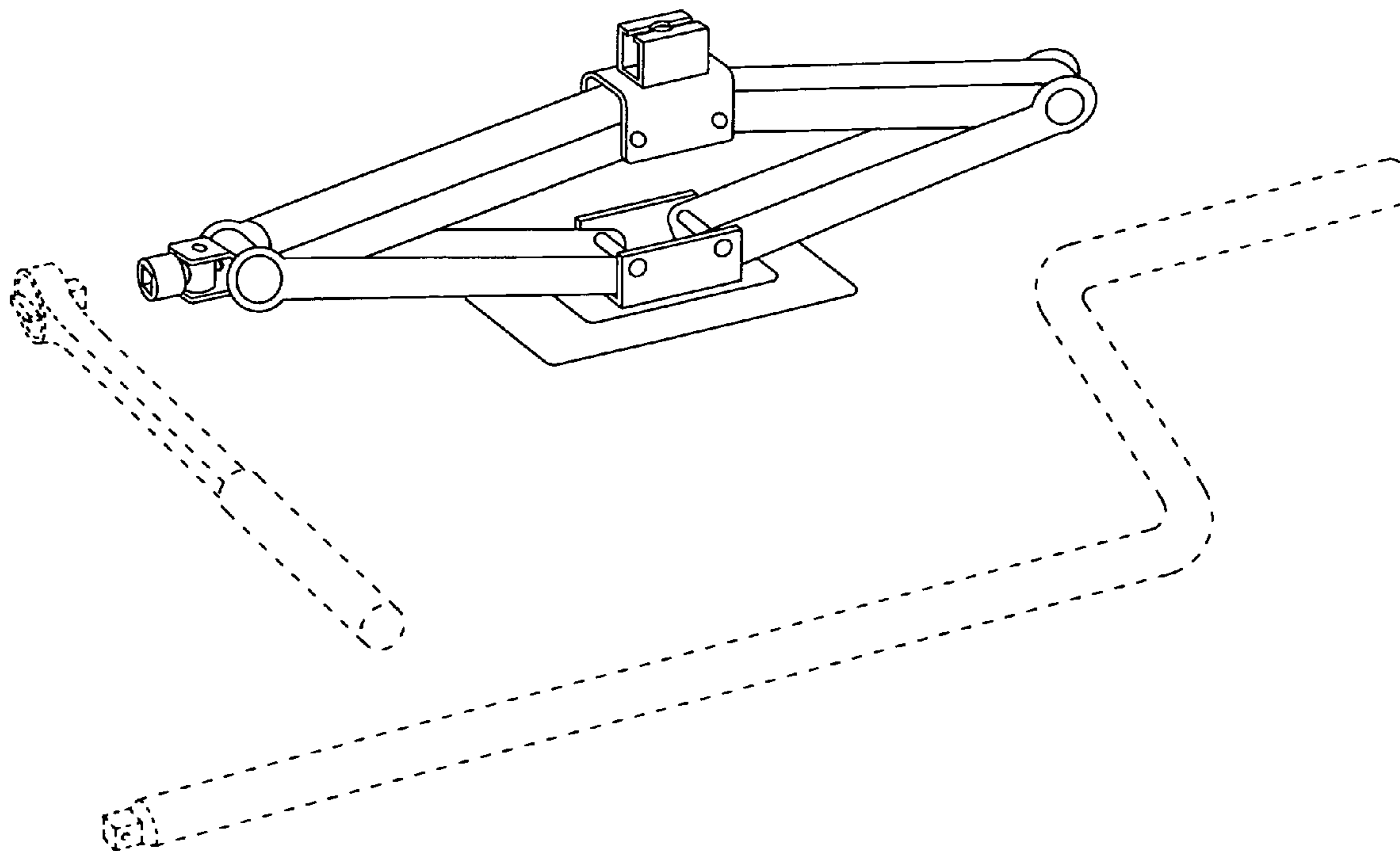
The ornamental design for a ratchet scissor jack, as shown and described.

DESCRIPTION

FIG. 1 is a front perspective view of a ratchet scissor jack;
FIG. 2 is a close up front perspective view of a ratchet scissor jack showing where the ratchet connects to the jack;
FIG. 3 is a back view thereof;
FIG. 4 is a front view thereof;
FIG. 5 is a left side view thereof;
FIG. 6 is a right side view thereof;
FIG. 7 is a bottom view thereof; and,
FIG. 8 is a top view thereof.

The portions of the jack shown in broken lines form no part of the claimed design.

1 Claim, 4 Drawing Sheets



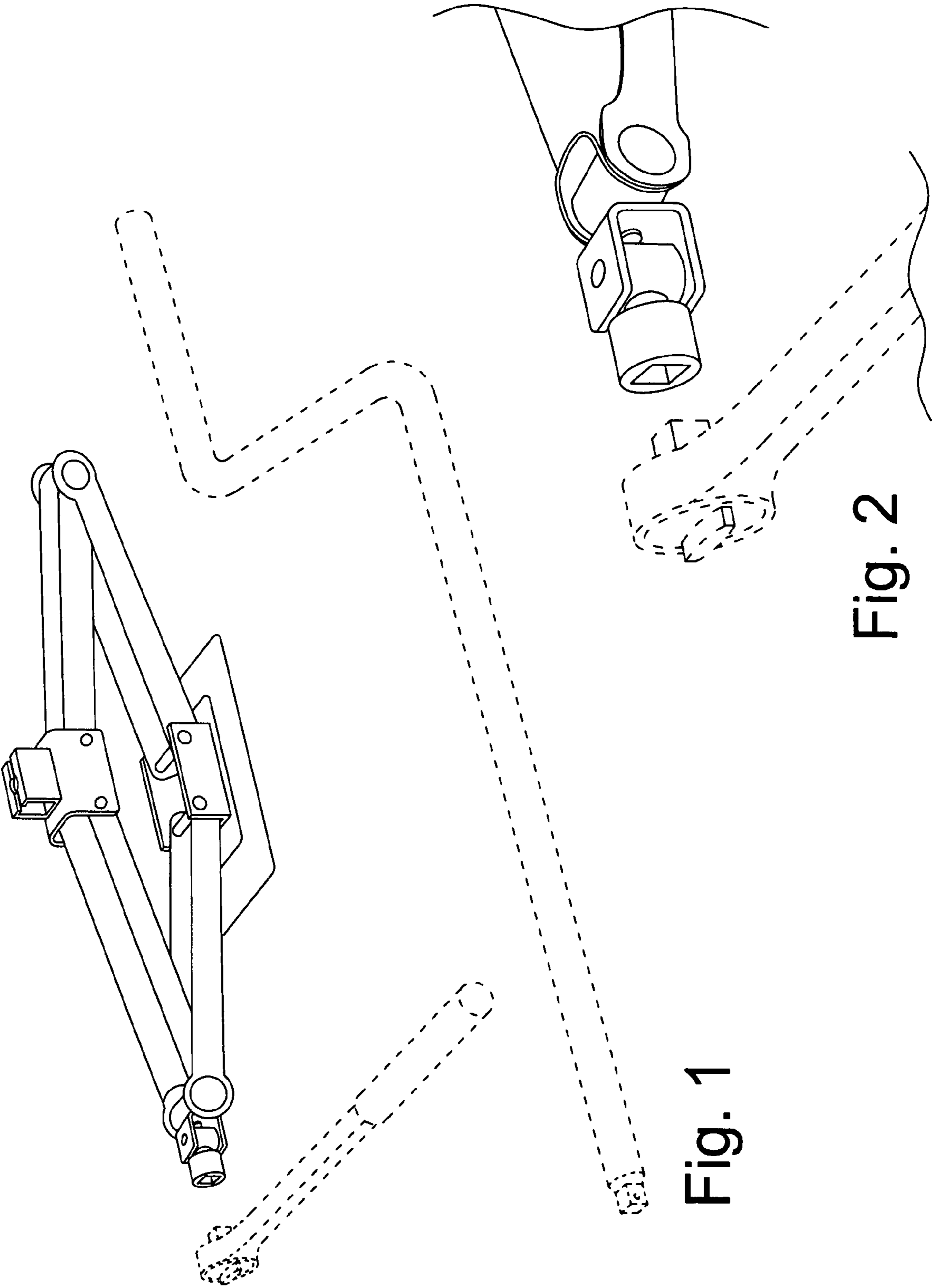


Fig. 1

Fig. 2

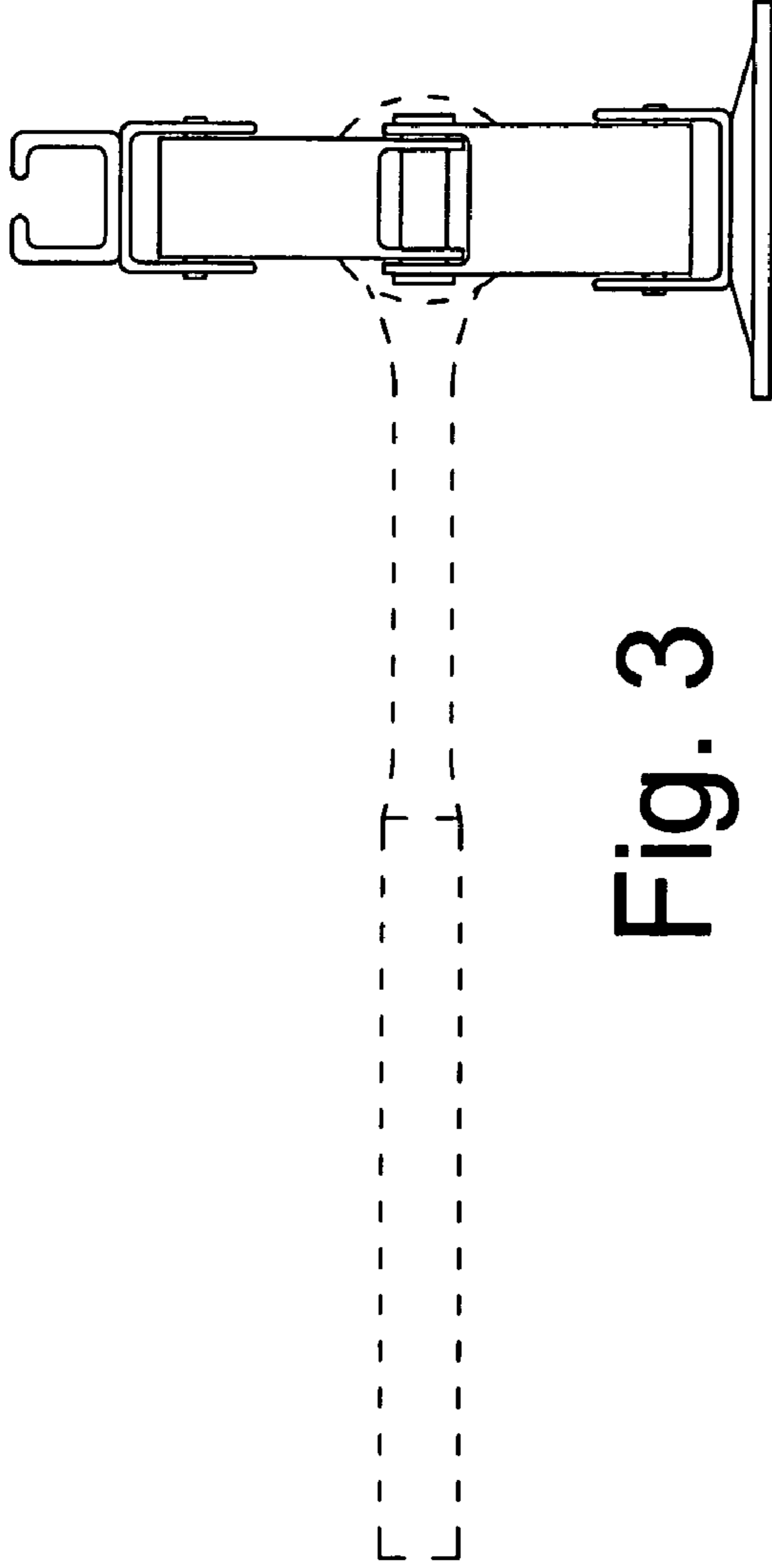


Fig. 3

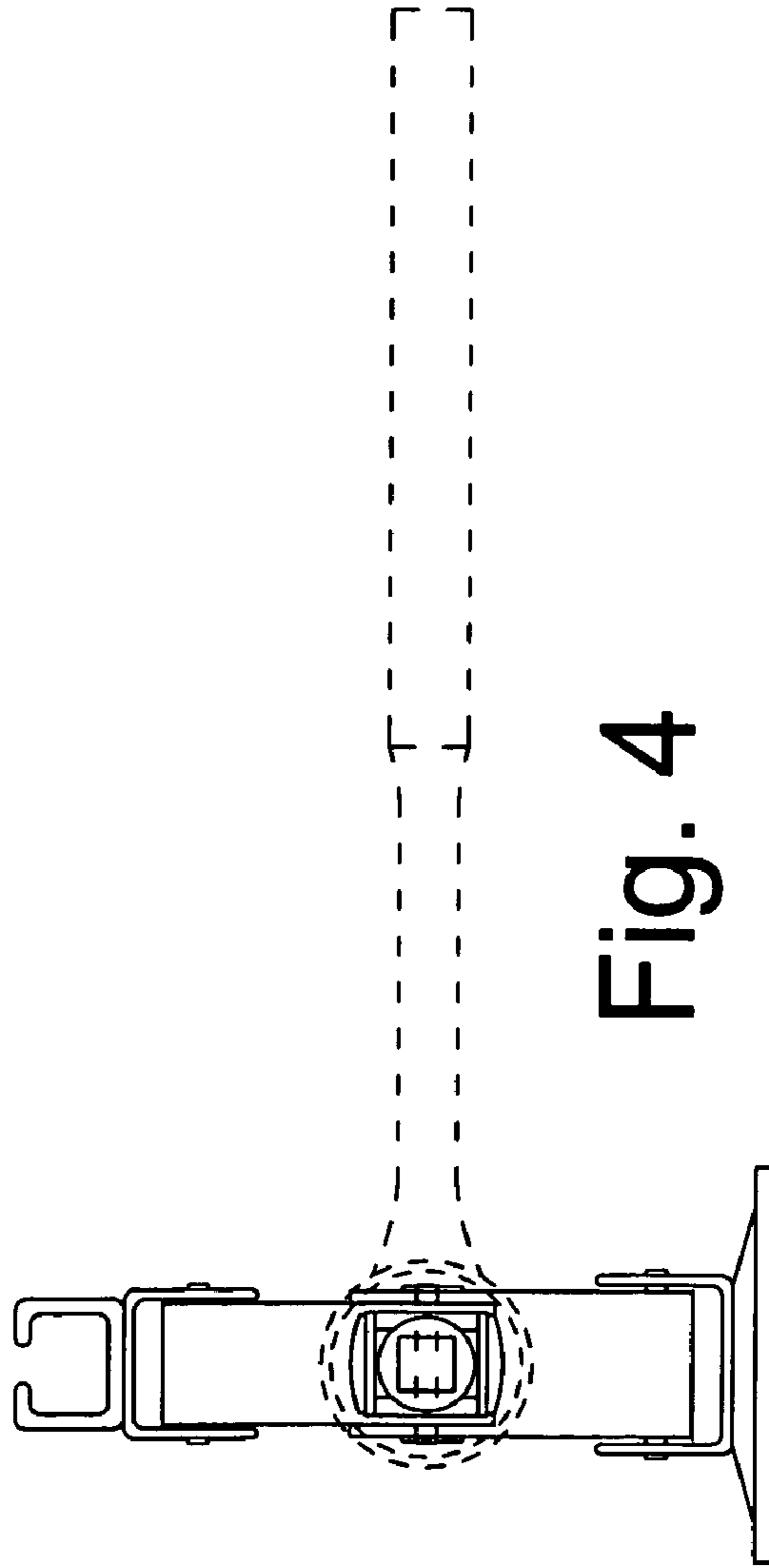


Fig. 4

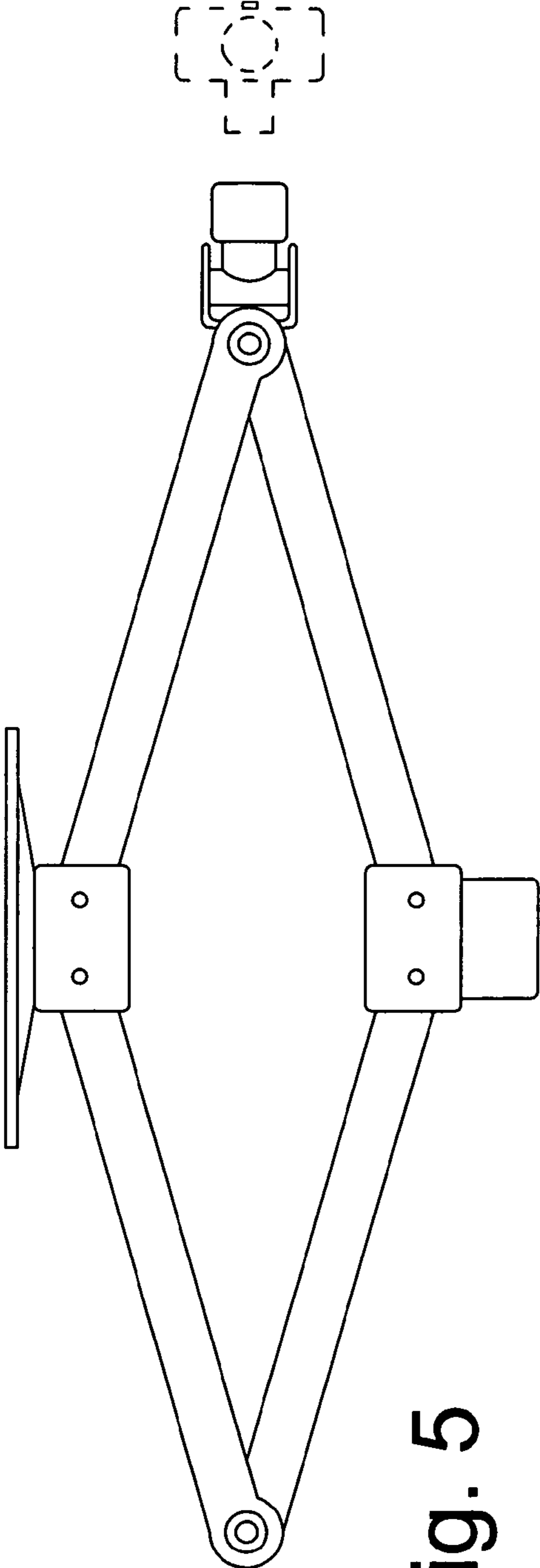


Fig. 5

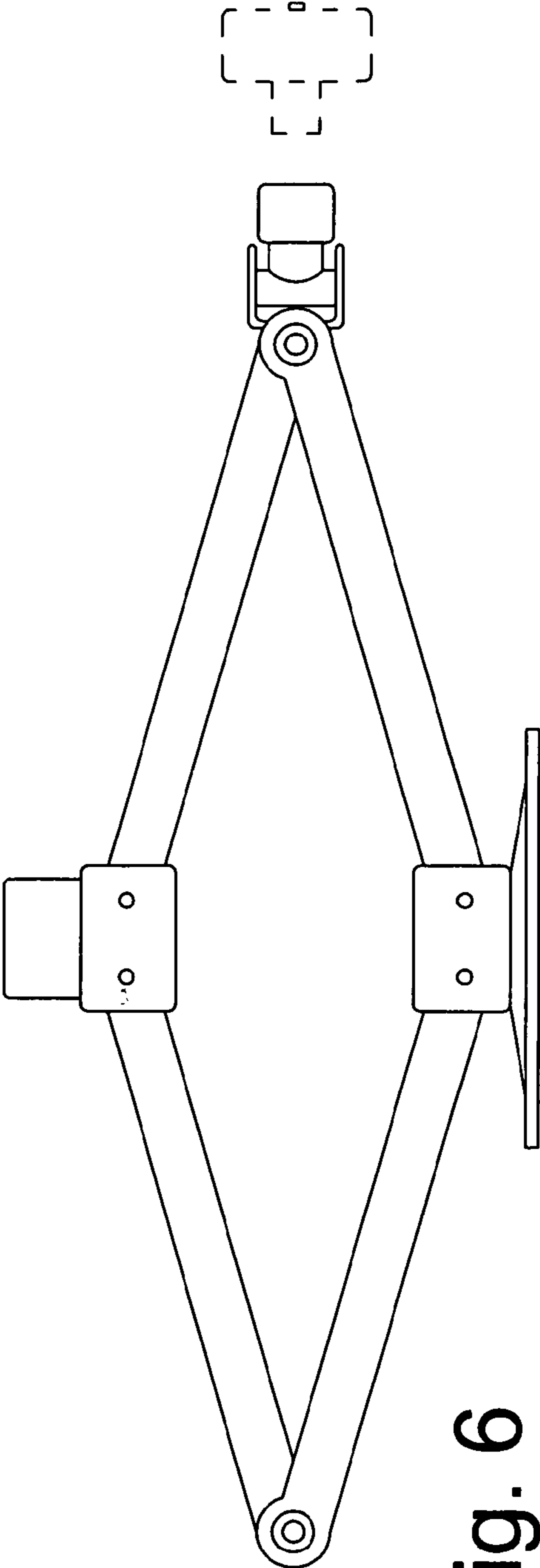


Fig. 6

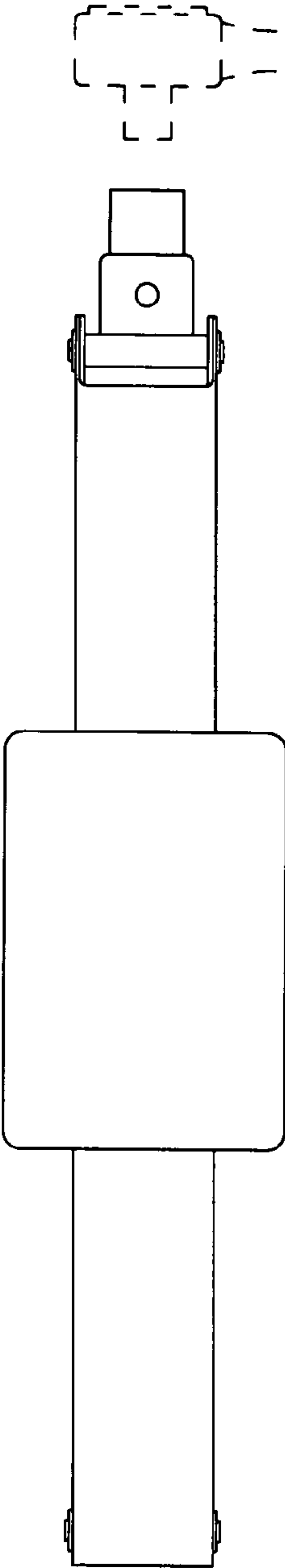


Fig. 7

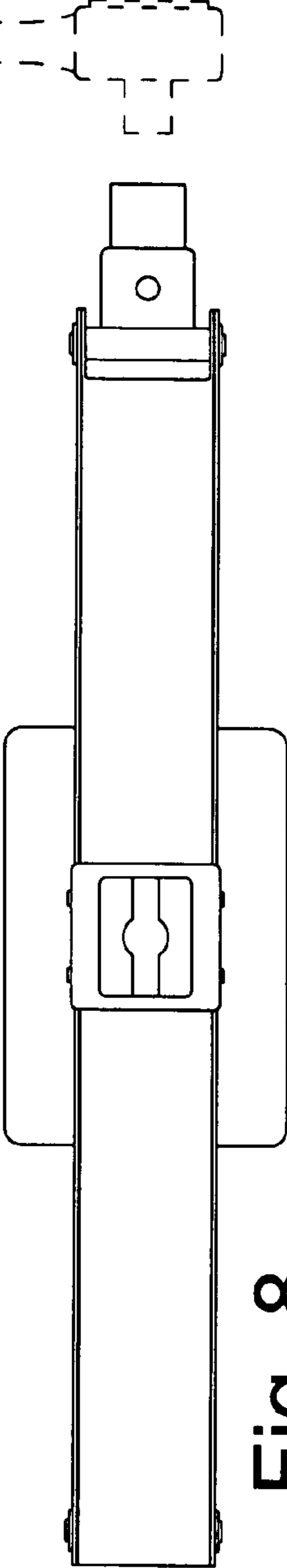
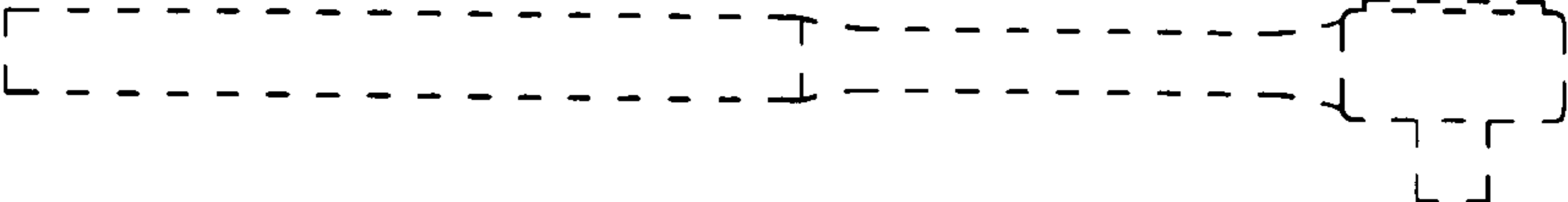


Fig. 8