



US00D657929S

(12) **United States Design Patent**
Gong

(10) **Patent No.:** **US D657,929 S**

(45) **Date of Patent:** **** Apr. 17, 2012**

(54) **GOLF TROLLEY**

Primary Examiner — Cynthia Ramirez

(75) Inventor: **Jiaxiong Gong**, Changzhou (CN)

(57) **CLAIM**

The ornamental design for a golf trolley, as shown and described.

(73) Assignee: **Ted Golf Equipment Co., Ltd.**,
Changzhou (CN)

(**) Term: **14 Years**

DESCRIPTION

(21) Appl. No.: **29/398,828**

FIG. 1 is a top view of a golf trolley in an unfolded position;
FIG. 2 is the bottom view of the golf trolley in the unfolded
position thereof;

(22) Filed: **Aug. 4, 2011**

(51) **LOC (9) Cl.** **12-13**

FIG. 3 is the right view of the golf trolley in the unfolded
position thereof;

(52) **U.S. Cl.** **D34/15**

FIG. 4 is the left view of the golf trolley in the unfolded
position thereof;

(58) **Field of Classification Search** D34/12-27;
280/62, DIG. 6, DIG. 5, 641, 642, 654, 651,
280/646, 47.26, 39, 40, 33.991, 33.992, 33.993
See application file for complete search history.

FIG. 5 is the front view of the golf trolley in the unfolded
position thereof;

(56) **References Cited**

U.S. PATENT DOCUMENTS

D454,417 S *	3/2002	Wu	D34/15
D531,374 S *	10/2006	Liao	D34/15
D556,414 S *	11/2007	Gong et al.	D34/15
D574,571 S *	8/2008	Liao	D34/15
D586,522 S *	2/2009	Liao	D34/15
D599,522 S *	9/2009	Wu	D34/15
D599,973 S *	9/2009	Liao	D34/15
D629,993 S *	12/2010	Liao	D34/15
D629,994 S *	12/2010	Liao	D34/15
D632,449 S *	2/2011	Liao	D34/15
D634,091 S *	3/2011	Liao	D34/15
D637,783 S *	5/2011	Liao	D34/15
D638,600 S *	5/2011	Wu	D34/15
D638,601 S *	5/2011	Lin	D34/15
D647,679 S *	10/2011	Liao	D34/15
D648,913 S *	11/2011	Fung	D34/15
2009/0115168 A1 *	5/2009	Liao	280/651

FIG. 6 is the back view of the golf trolley in the unfolded
position thereof;

FIG. 7 is the top view of the golf trolley in a folded position
thereof;

FIG. 8 is the bottom view of the golf trolley in the folded
position thereof;

FIG. 9 is the right view of the golf trolley in the folded
position thereof;

FIG. 10 is the left view of the golf trolley in the folded position
thereof;

FIG. 11 is the front view of the golf trolley in the folded
position thereof;

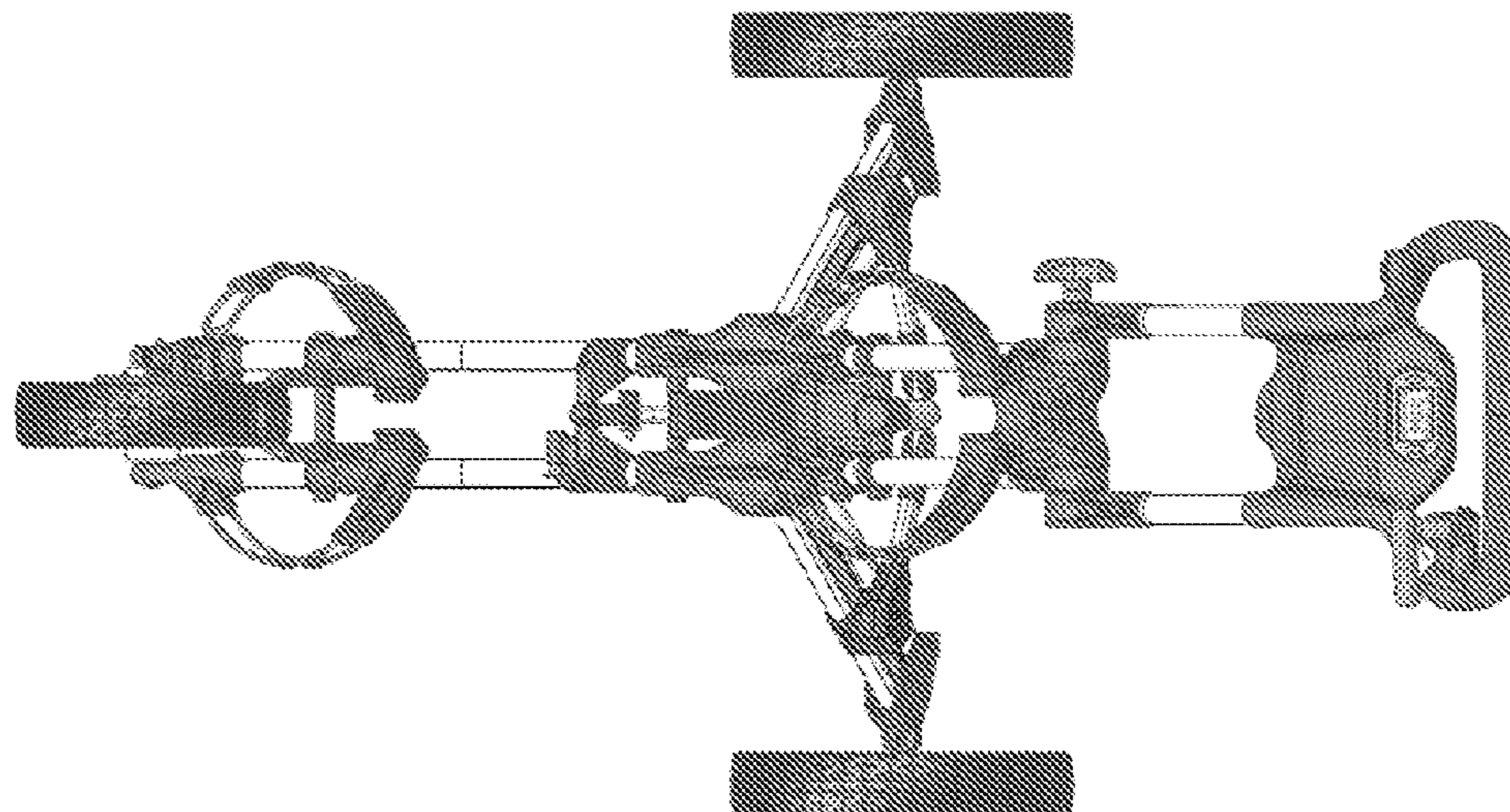
FIG. 12 is the back view of the golf trolley in the folded
position thereof;

FIG. 13 is the perspective view of the golf trolley in the
unfolded position thereof; and,

FIG. 14 is the perspective view of the golf trolley in the folded
position.

* cited by examiner

1 Claim, 14 Drawing Sheets



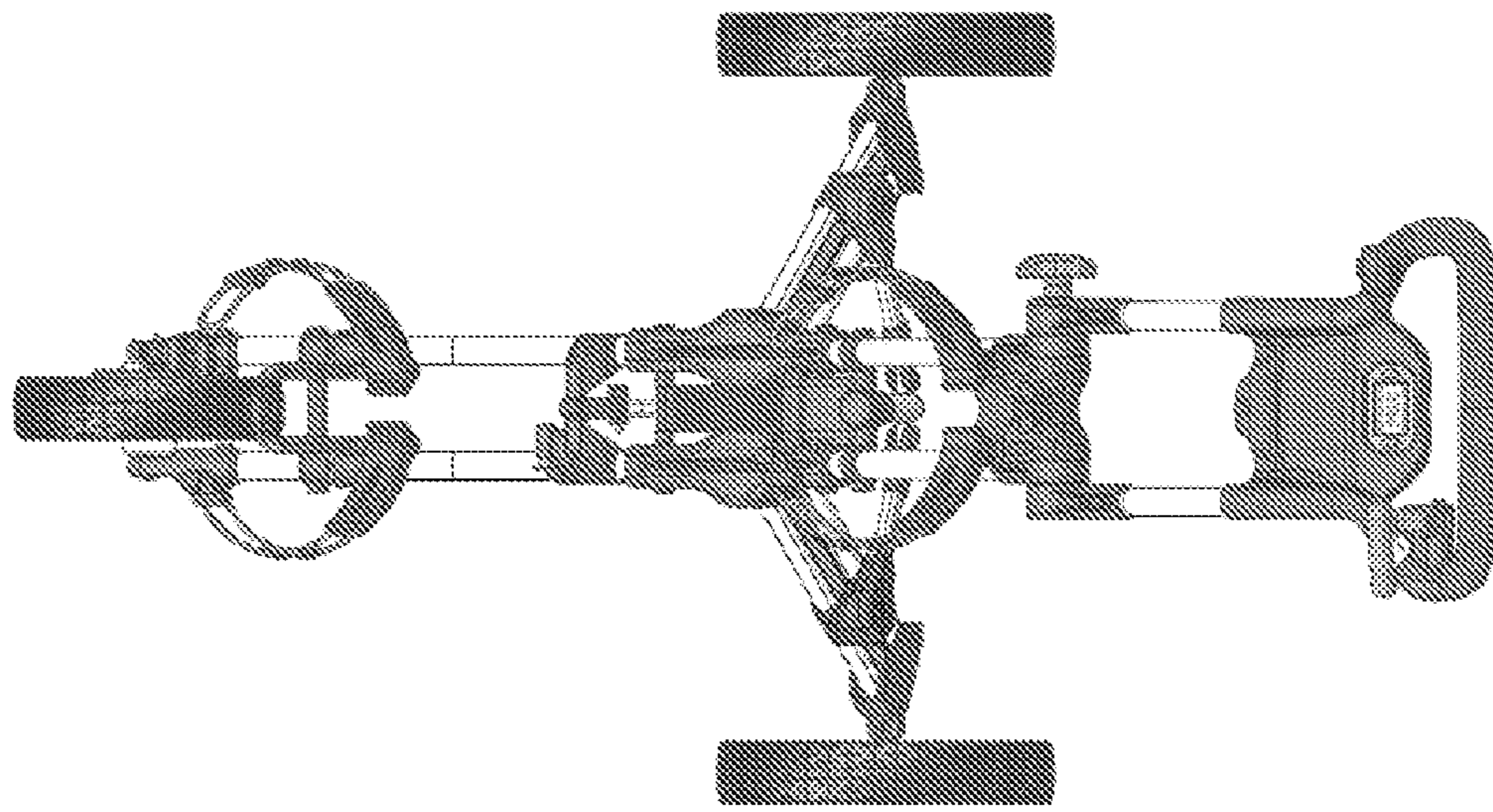


FIG.1

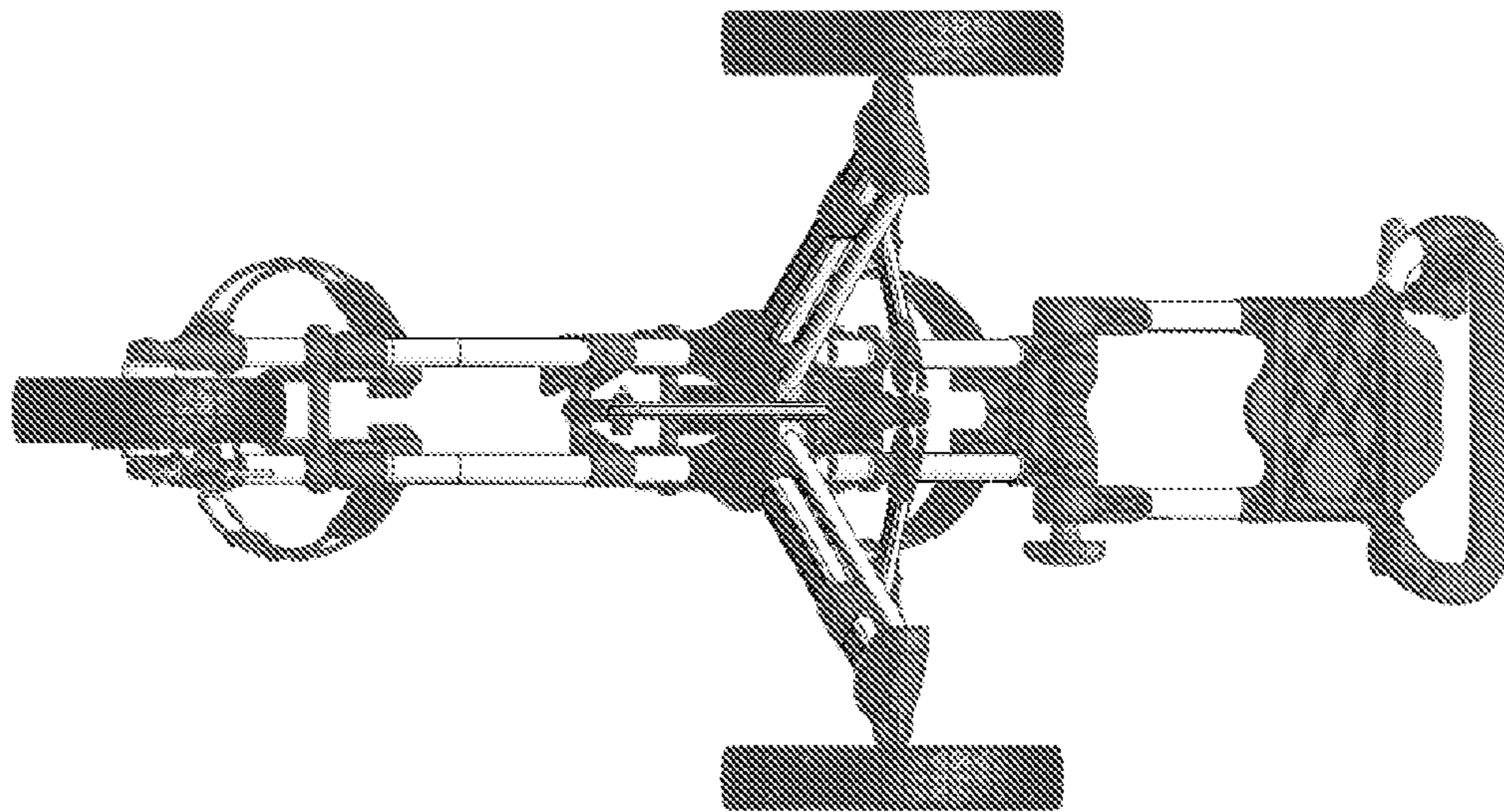


FIG.2

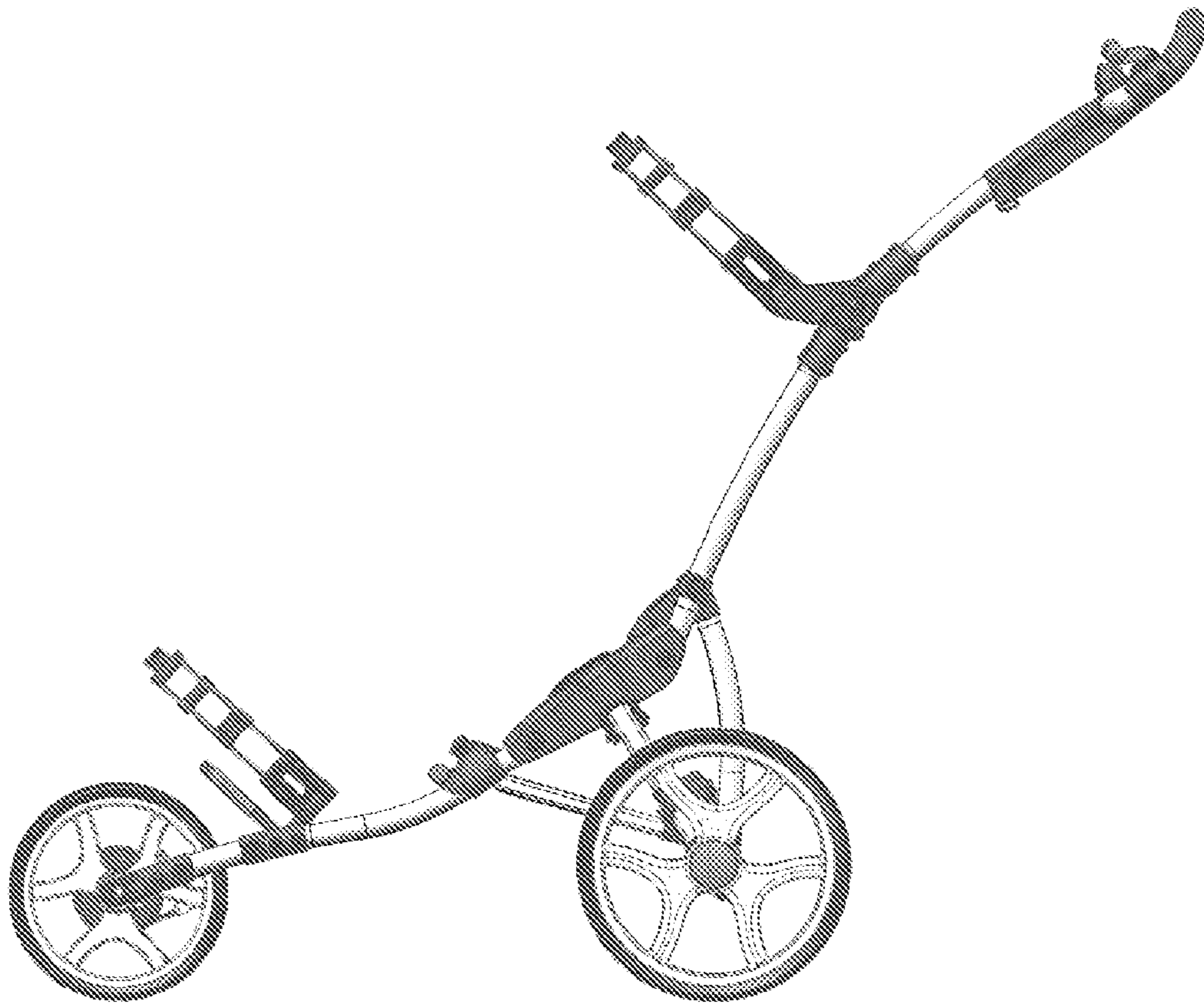


FIG.3

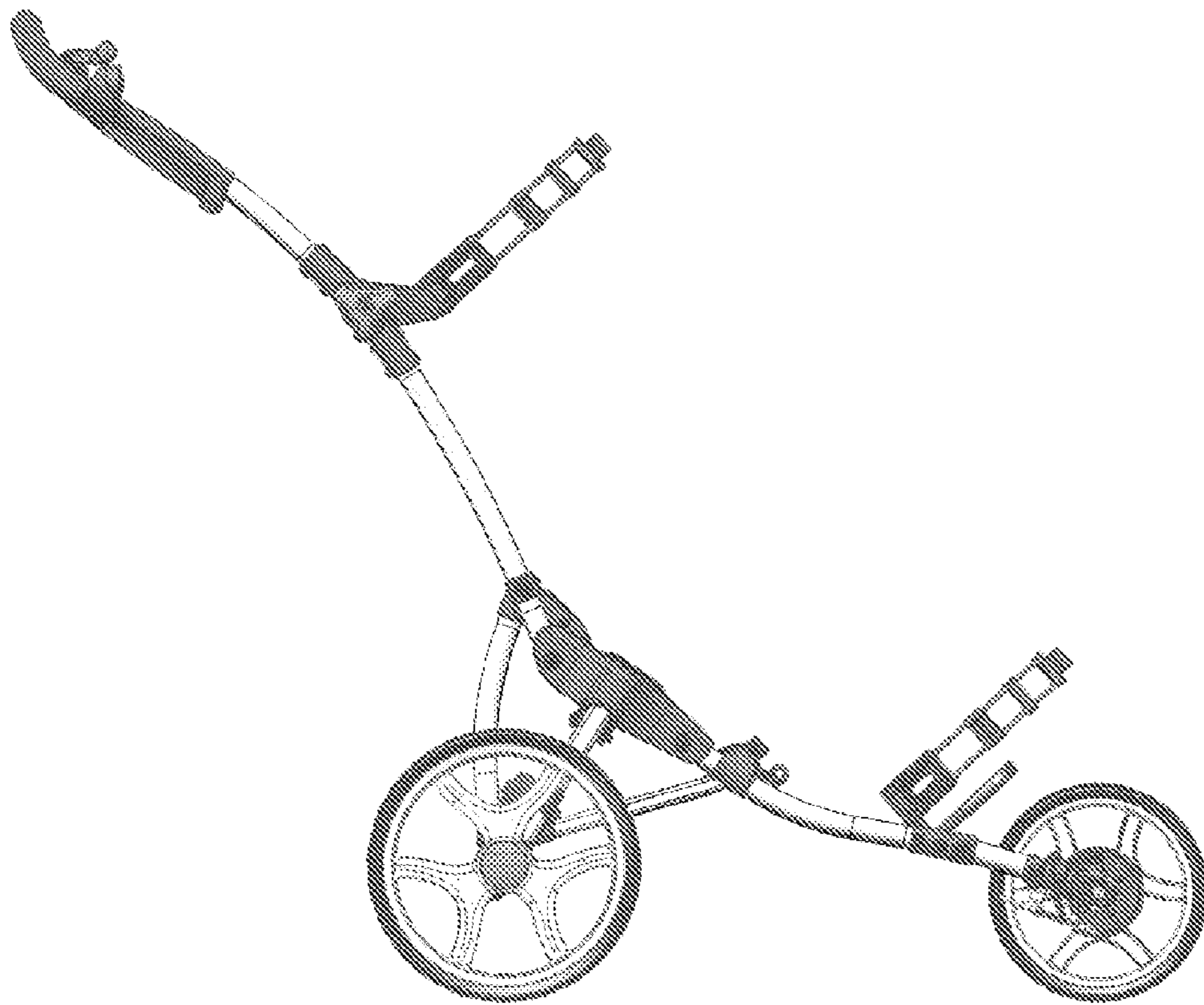


FIG.4

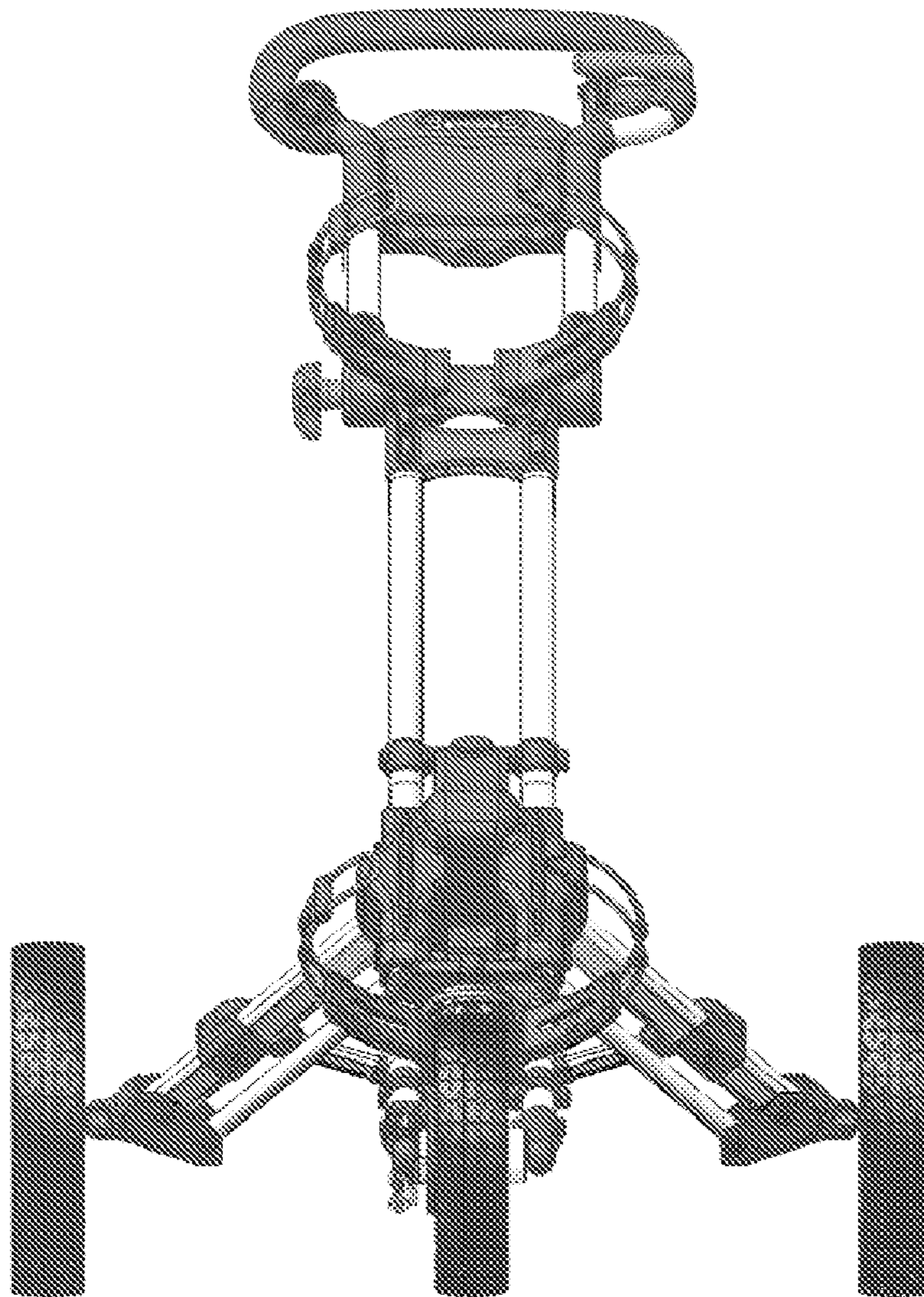


FIG.5

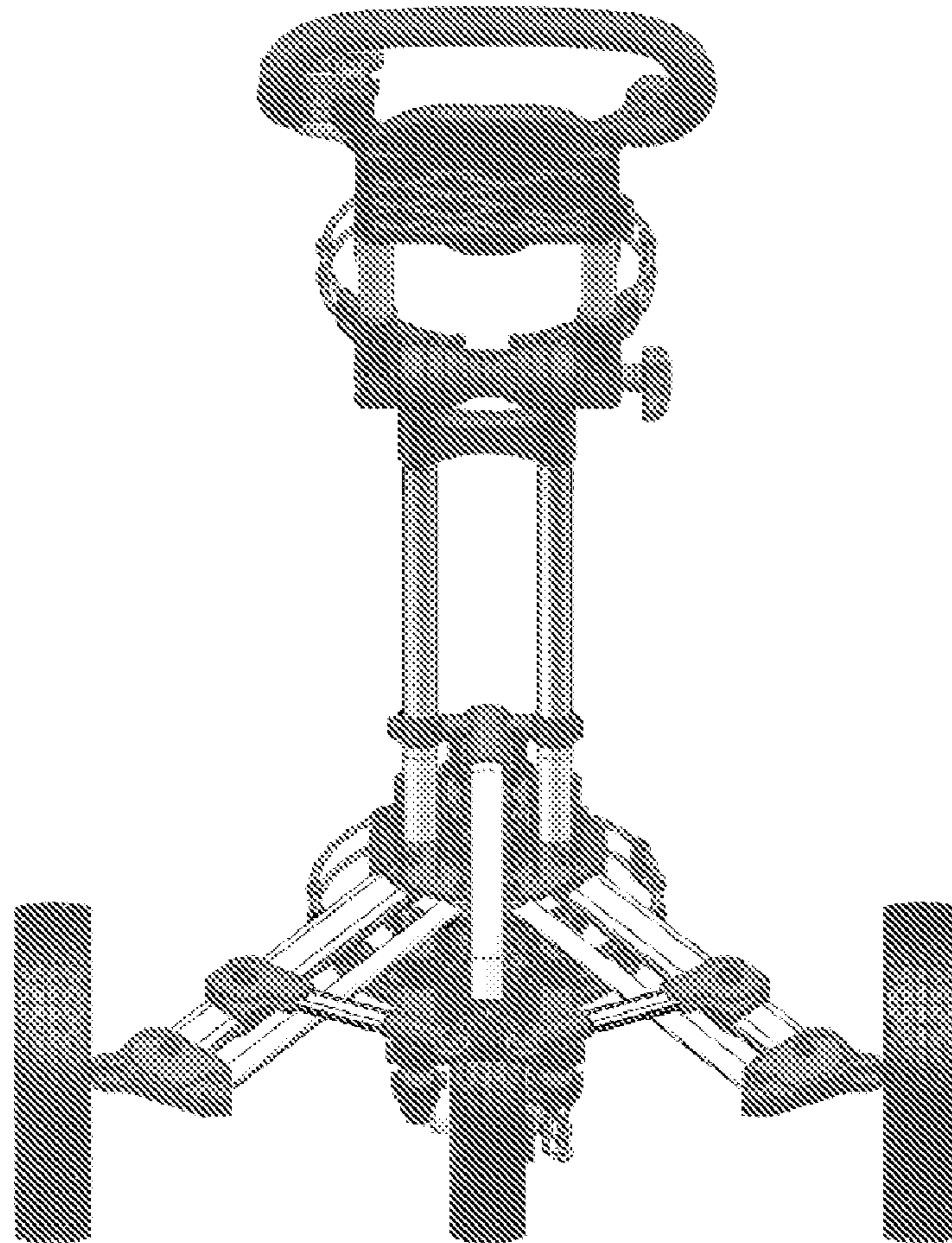


FIG.6

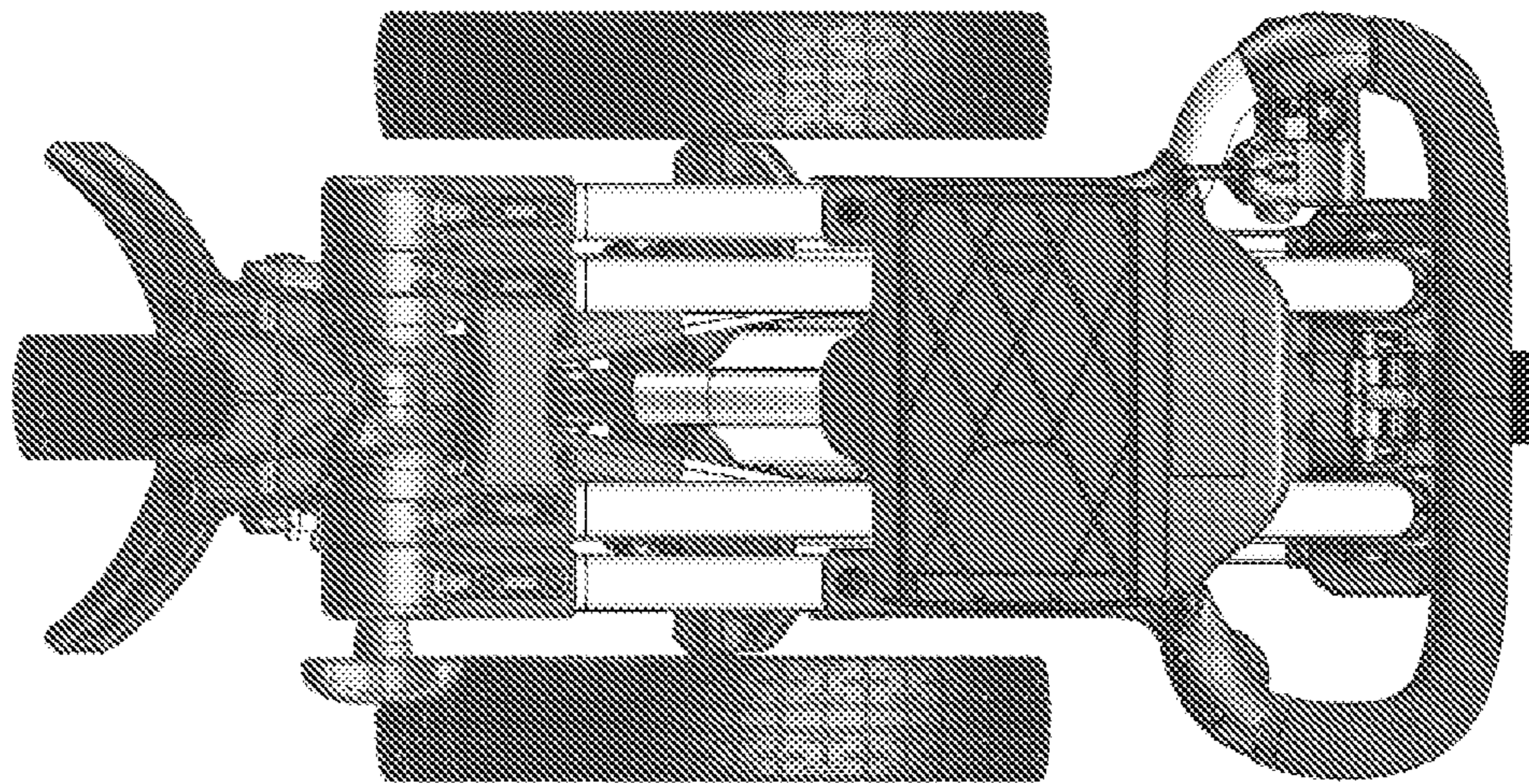


FIG.7

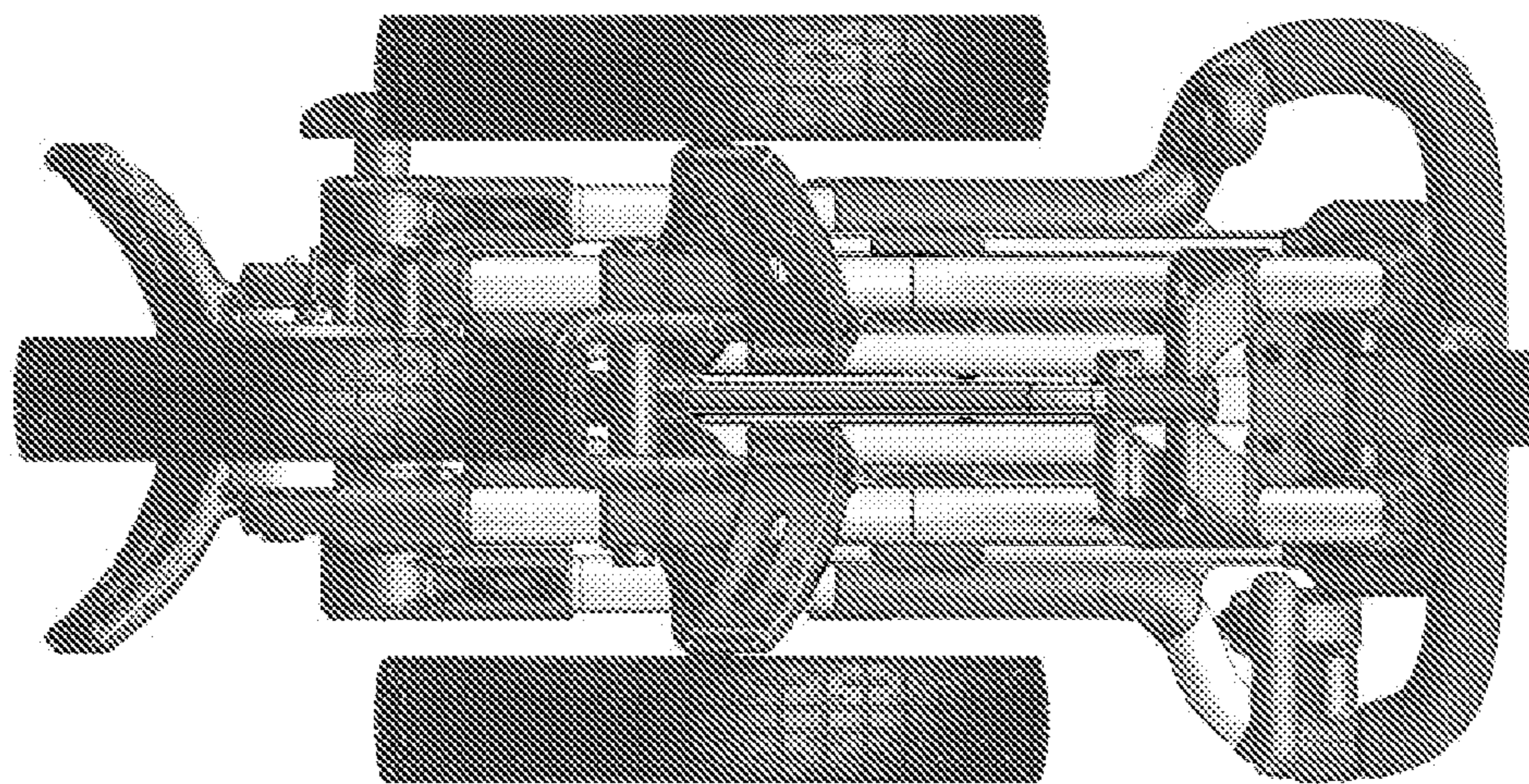


FIG.8

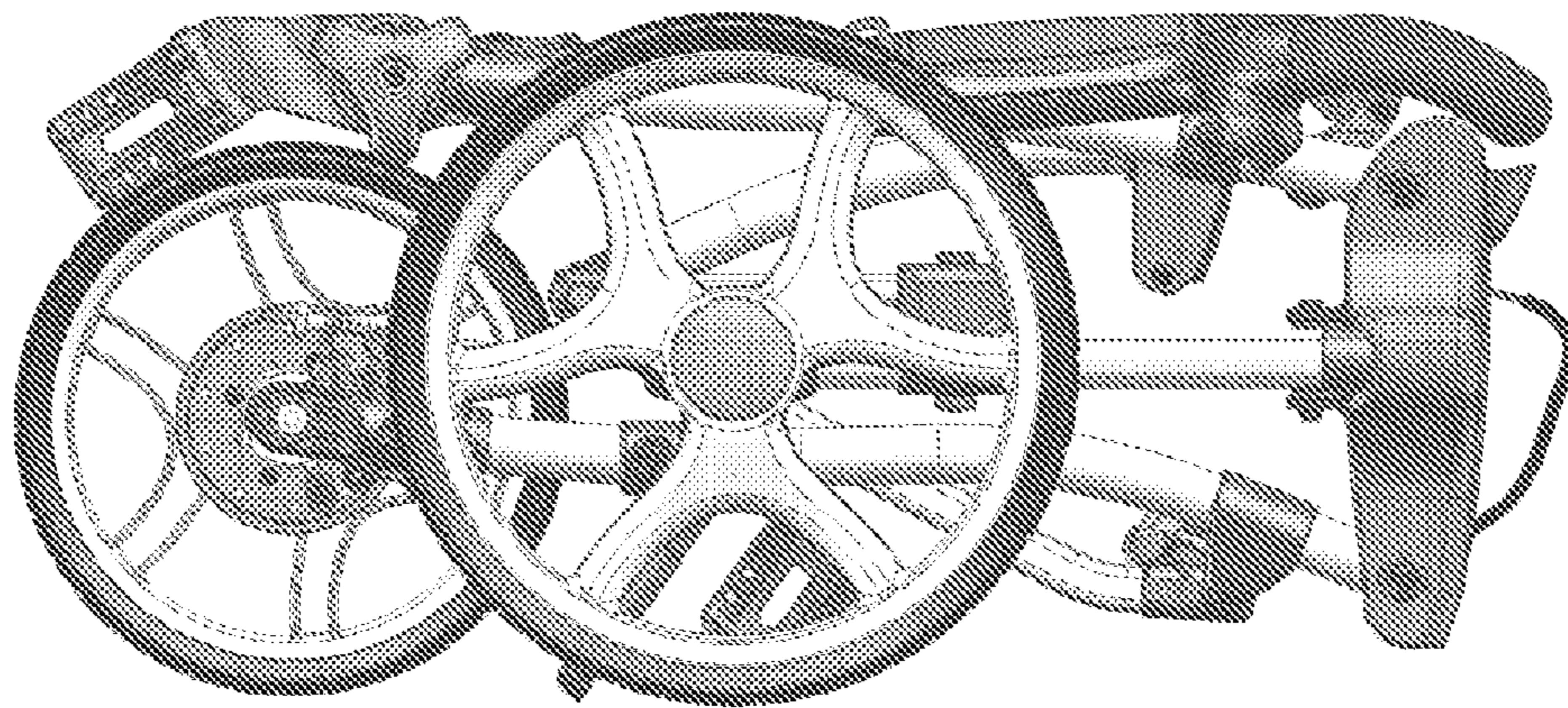


FIG.9

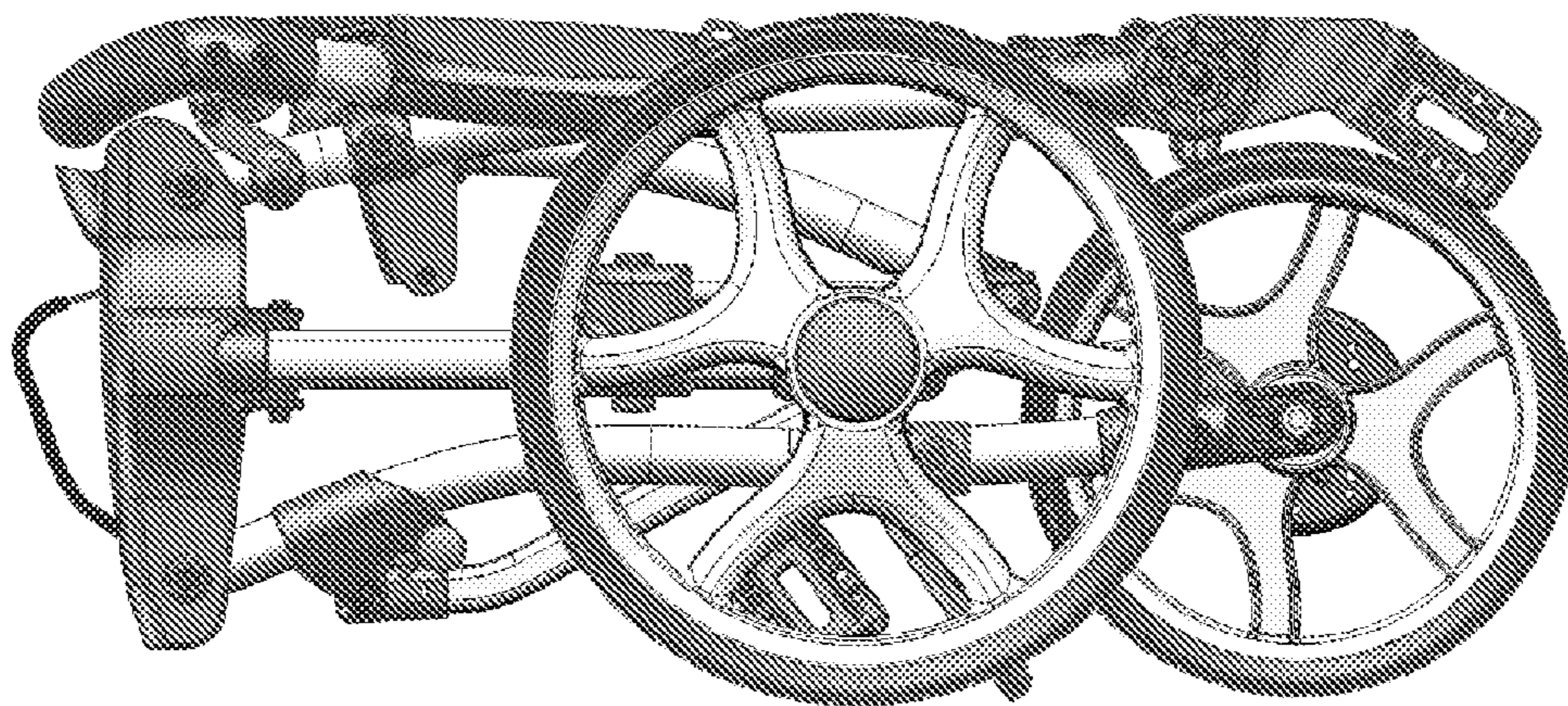


FIG.10

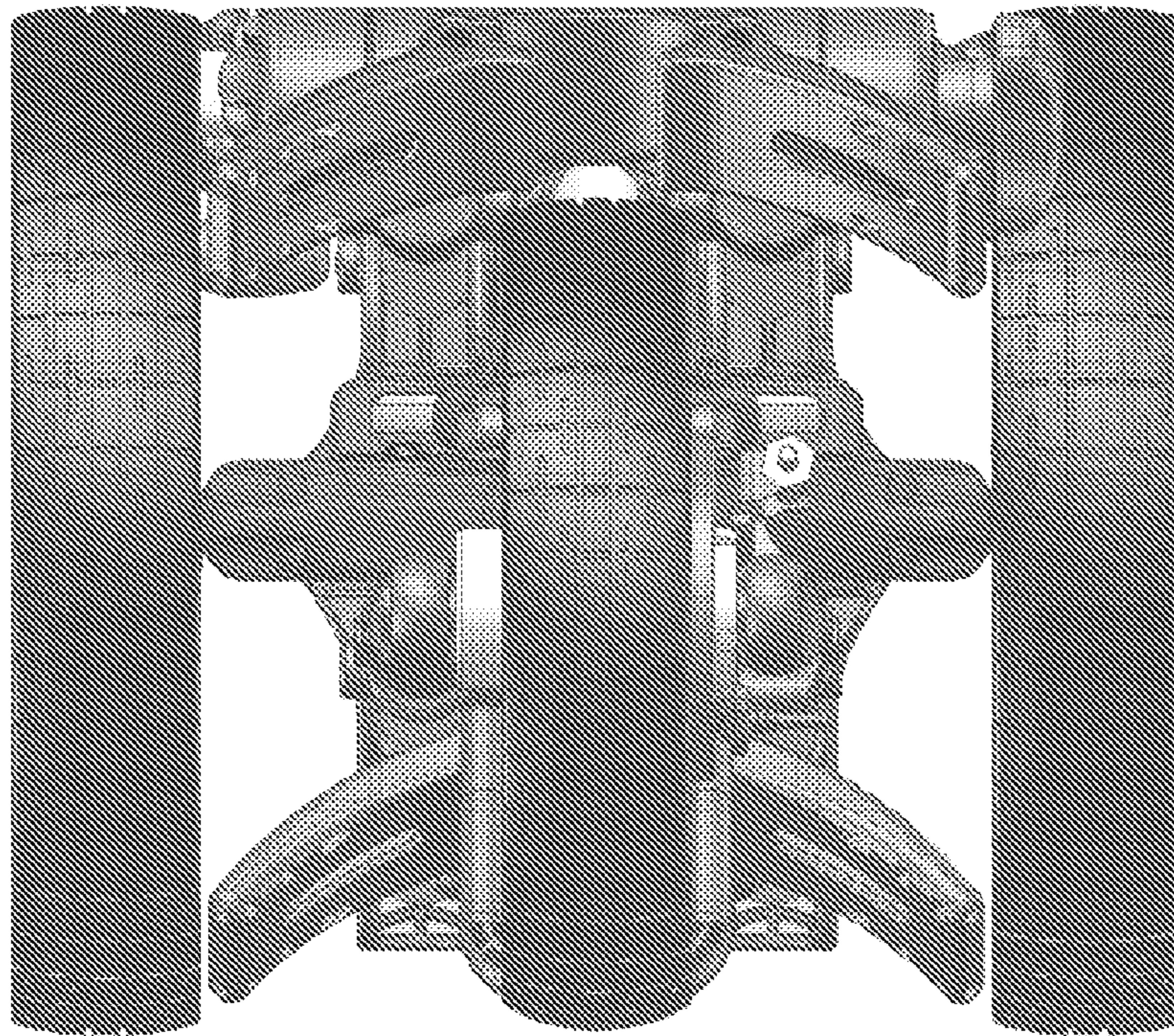


FIG.11

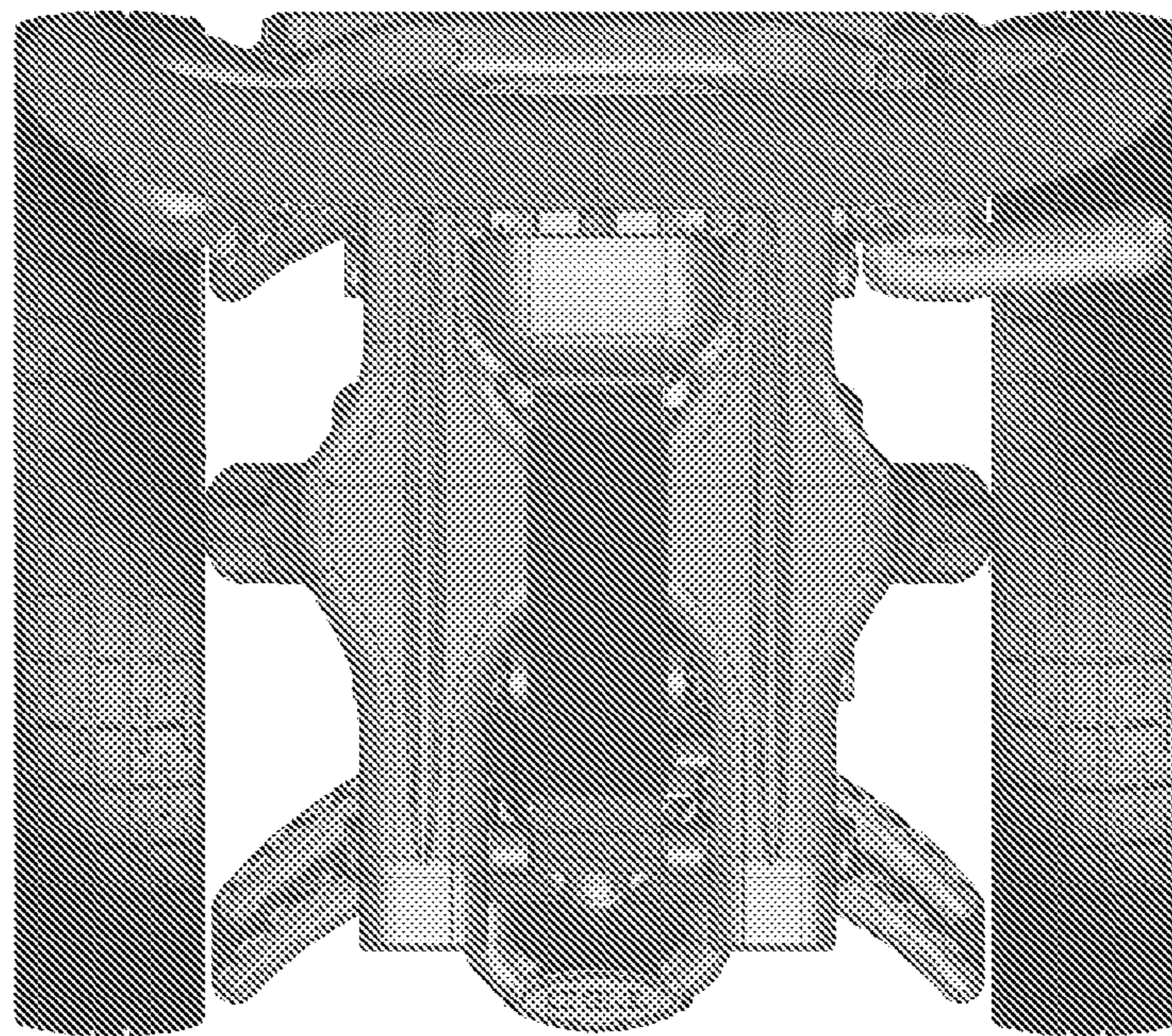


FIG.12



FIG.13

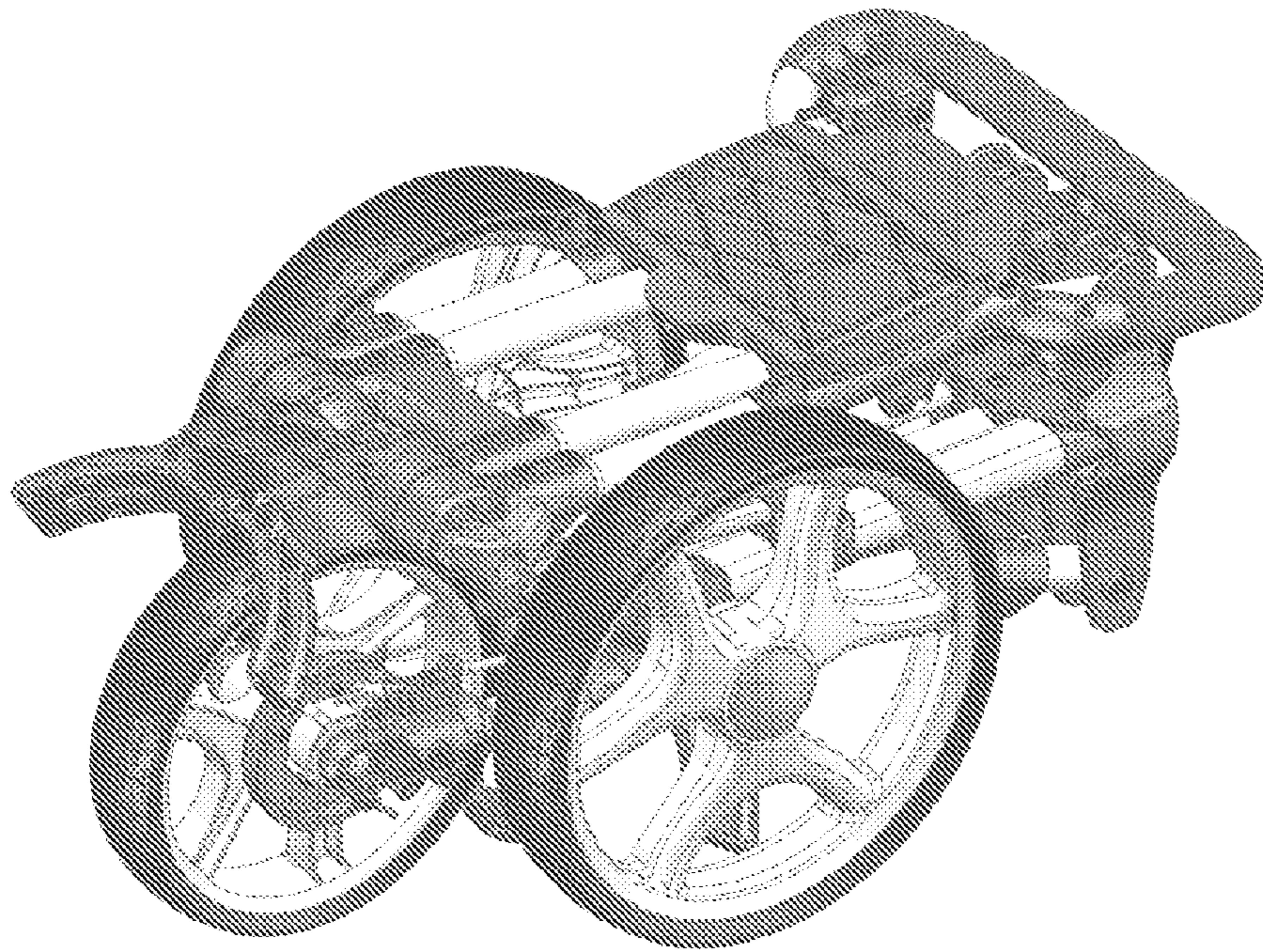


FIG.14