



US00D657924S

(12) **United States Design Patent**
Soegaard

(10) **Patent No.:** **US D657,924 S**

(45) **Date of Patent:** **** Apr. 17, 2012**

(54) **SPONGE**

(75) Inventor: **Astrid Soegaard**, La Canada, CA (US)

(73) Assignee: **Simply Sponges, L.L.C.**, La Canada, CA (US)

(**) Term: **14 Years**

(21) Appl. No.: **29/366,360**

(22) Filed: **Jul. 23, 2010**

(51) **LOC (9) Cl.** **04-01**

(52) **U.S. Cl.** **D32/40; D32/43; D30/160**

(58) **Field of Classification Search** D32/40-46;
D1/199, 106, 111, 128; D30/155, 160; D6/588;
15/244.1-244.4, 208, 209.1; 119/708, 709
See application file for complete search history.

(56) **References Cited**

U.S. PATENT DOCUMENTS

D184,234 S	1/1959	Maccio	
D305,951 S *	2/1990	Spiel et al.	D1/106
D394,414 S *	5/1998	Catalano	D11/133
D407,185 S *	3/1999	Marcks	D1/106
D416,654 S	11/1999	Haynes	
D422,761 S *	4/2000	Zalevsky	D30/160
D428,136 S *	7/2000	Cady et al.	D24/101
D466,662 S	12/2002	Lorkovic	
D487,327 S *	3/2004	Andersen et al.	D1/199
D490,965 S *	6/2004	Lawrenson	D1/106
D510,171 S *	10/2005	Lawrenson	D1/106
D523,591 S *	6/2006	Kreamer	D30/160
D550,996 S *	9/2007	Edwards	D6/518
D578,717 S	10/2008	Trueheart	

D620,207 S *	7/2010	Byrne	D30/160
D634,506 S *	3/2011	de Socio	D1/106
2003/0121117 A1	7/2003	Isenberg	
2004/0093679 A1	5/2004	Kukoff	
2007/0067937 A1	3/2007	Federlein et al.	

OTHER PUBLICATIONS

Spoon Sisters Dog Bowl Sponge from internet Oct. 31, 2011.*
Uncle Norman's Pet Bowl Cleaner and Bath Sponge, <http://mygloss.com/pet/2009/10/13/gloss-find-uncle-normans-pet-bowl-cleaner-bath-sponge/>, retrieved on May 26, 2010.
Pet Bowl Cleaner Sponge, http://www.casabella.com/Merchant2/merchant.mvc?Screen=PROD&Store_Code=C&Product_Code=15490_3&Category_Code=dishwashing, retrieved on May 26, 2010.

* cited by examiner

Primary Examiner — Robin V Webster

(74) *Attorney, Agent, or Firm* — Knobbe Martens Olson & Bear LLP

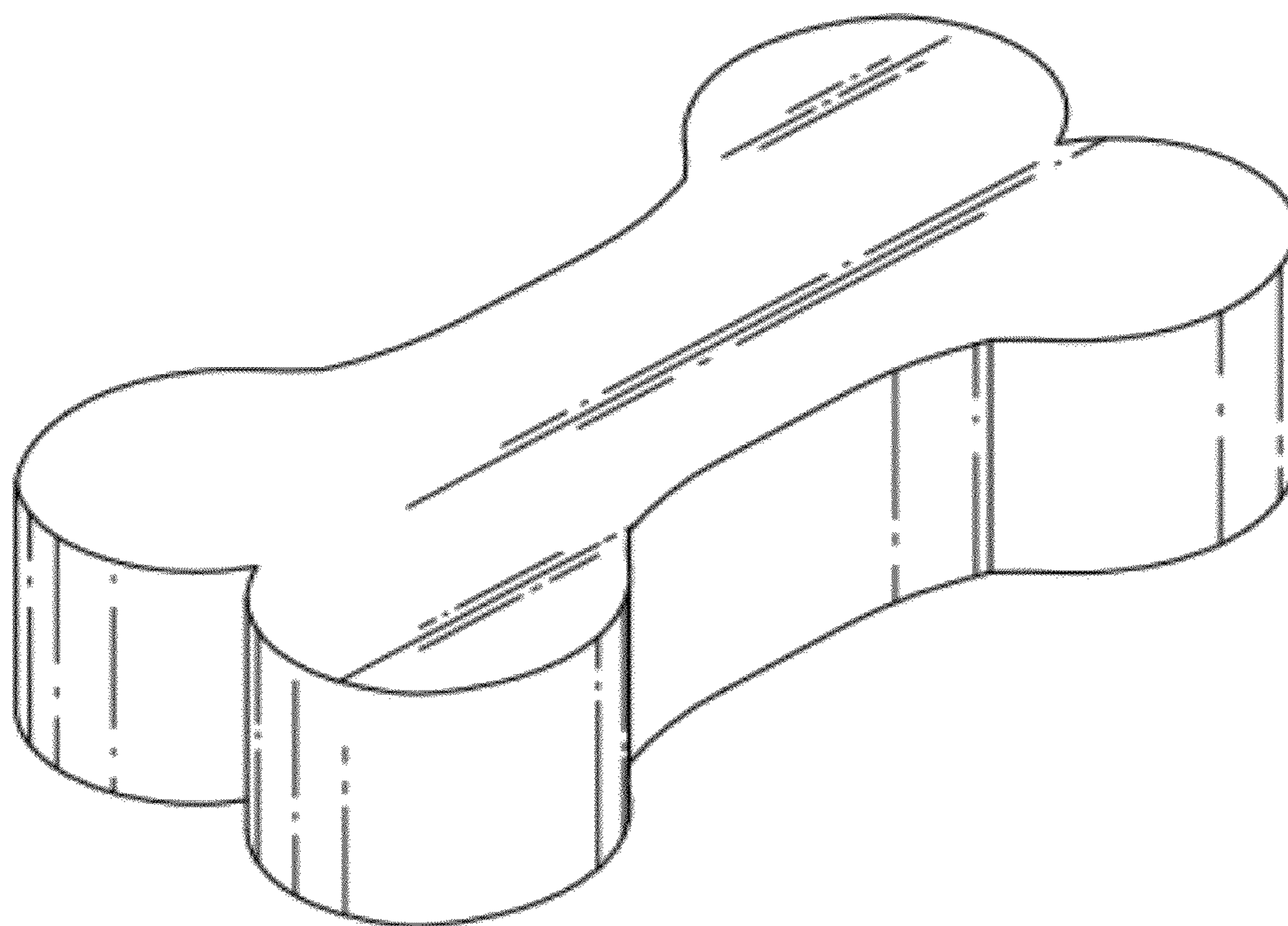
(57) **CLAIM**

The ornamental design for a sponge, as shown and described.

DESCRIPTION

FIG. 1 is a top, front, and right side perspective view of a sponge embodying my new design.
FIG. 2 is a top plan view thereof.
FIG. 3 is a right side elevation view thereof, the left side being a mirror image; and,
FIG. 4 is a front elevation view thereof, the rear elevation being a mirror image.

1 Claim, 2 Drawing Sheets



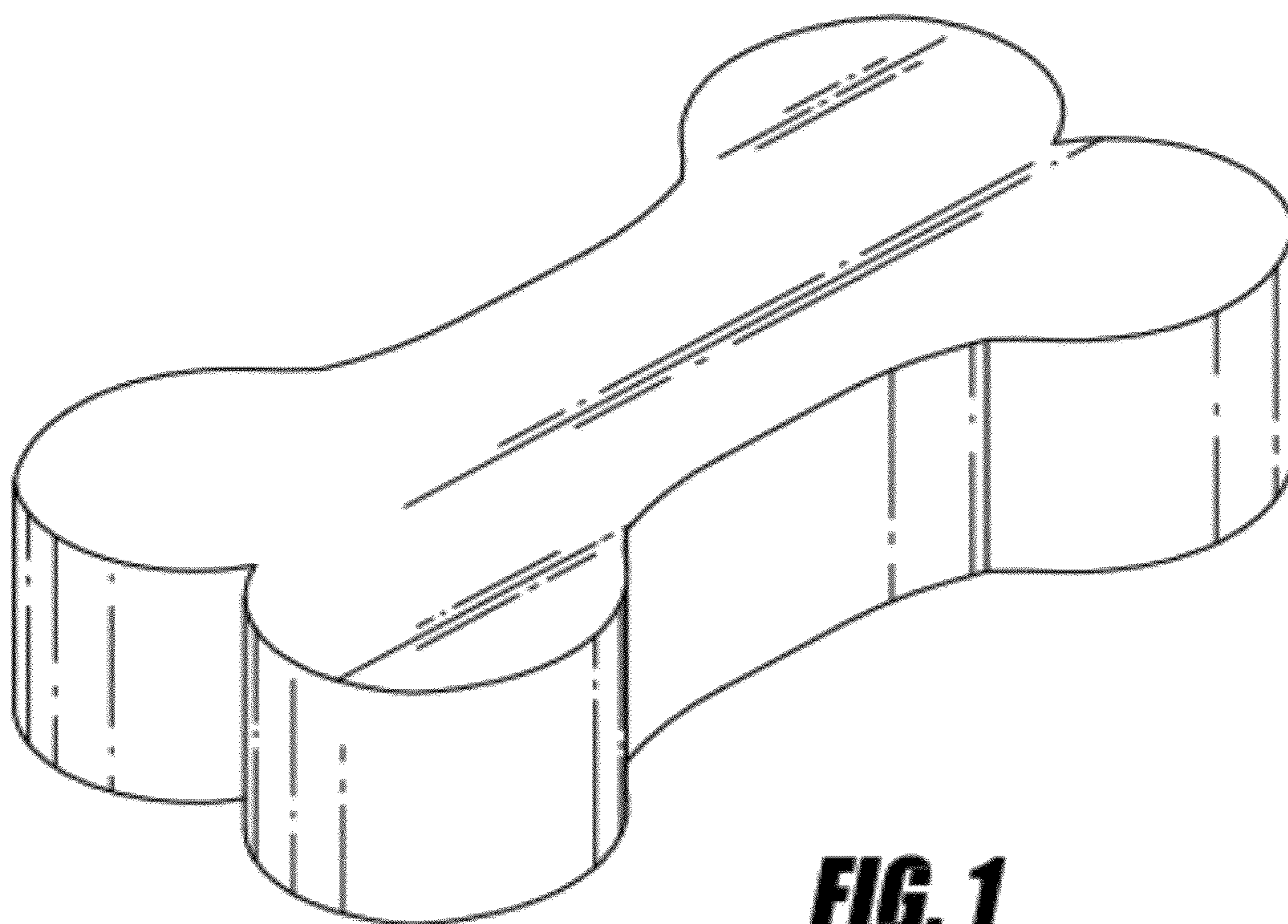


FIG. 1

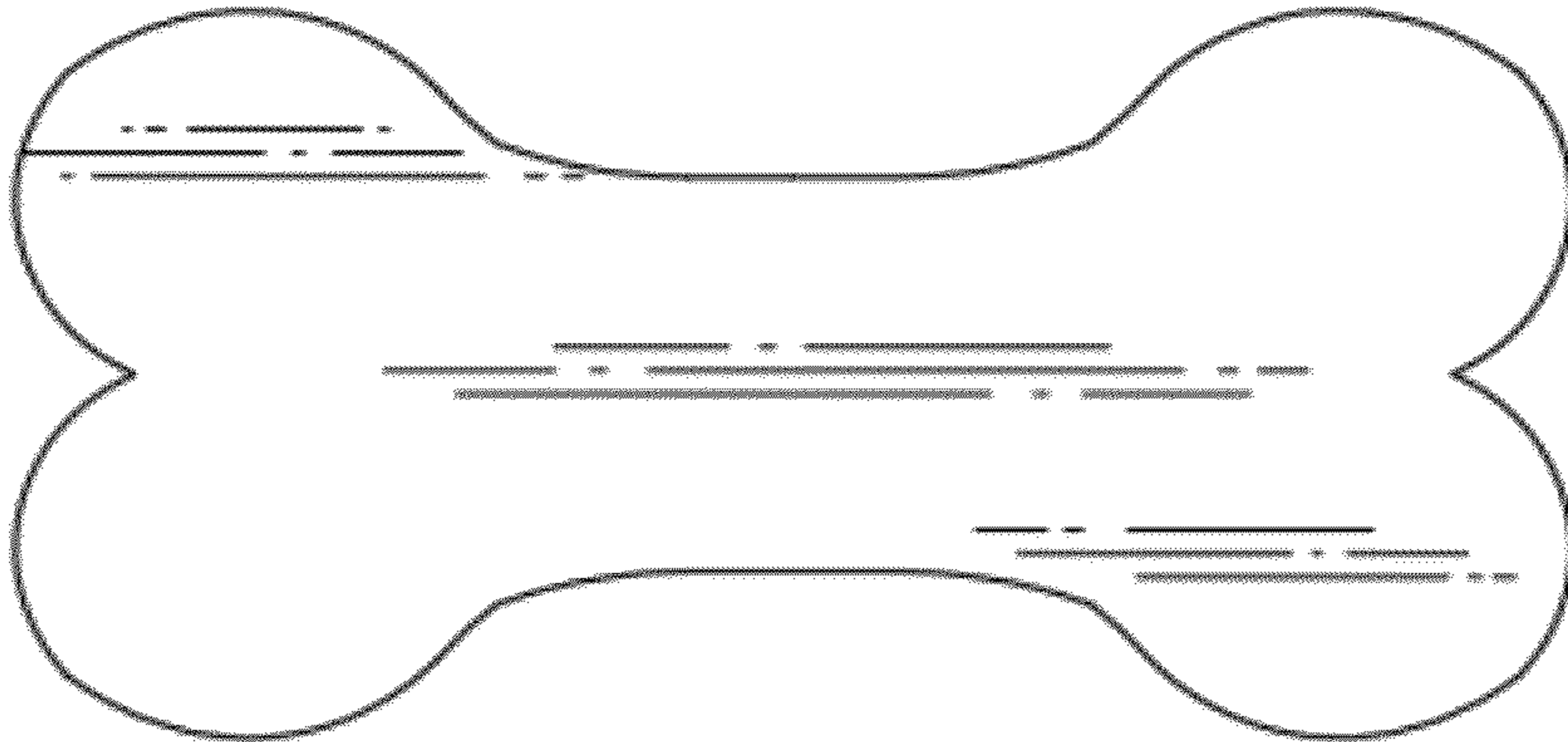


FIG. 2

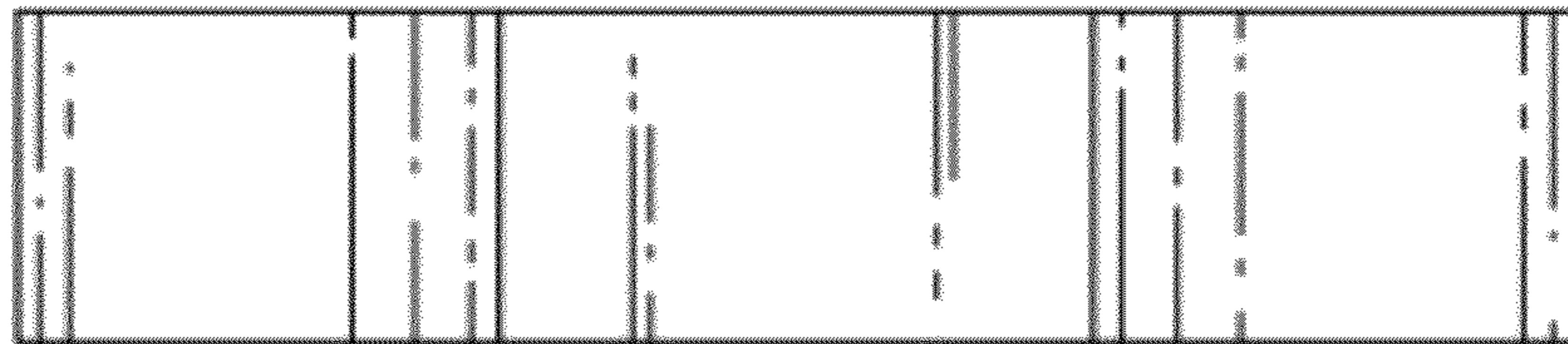


FIG. 3

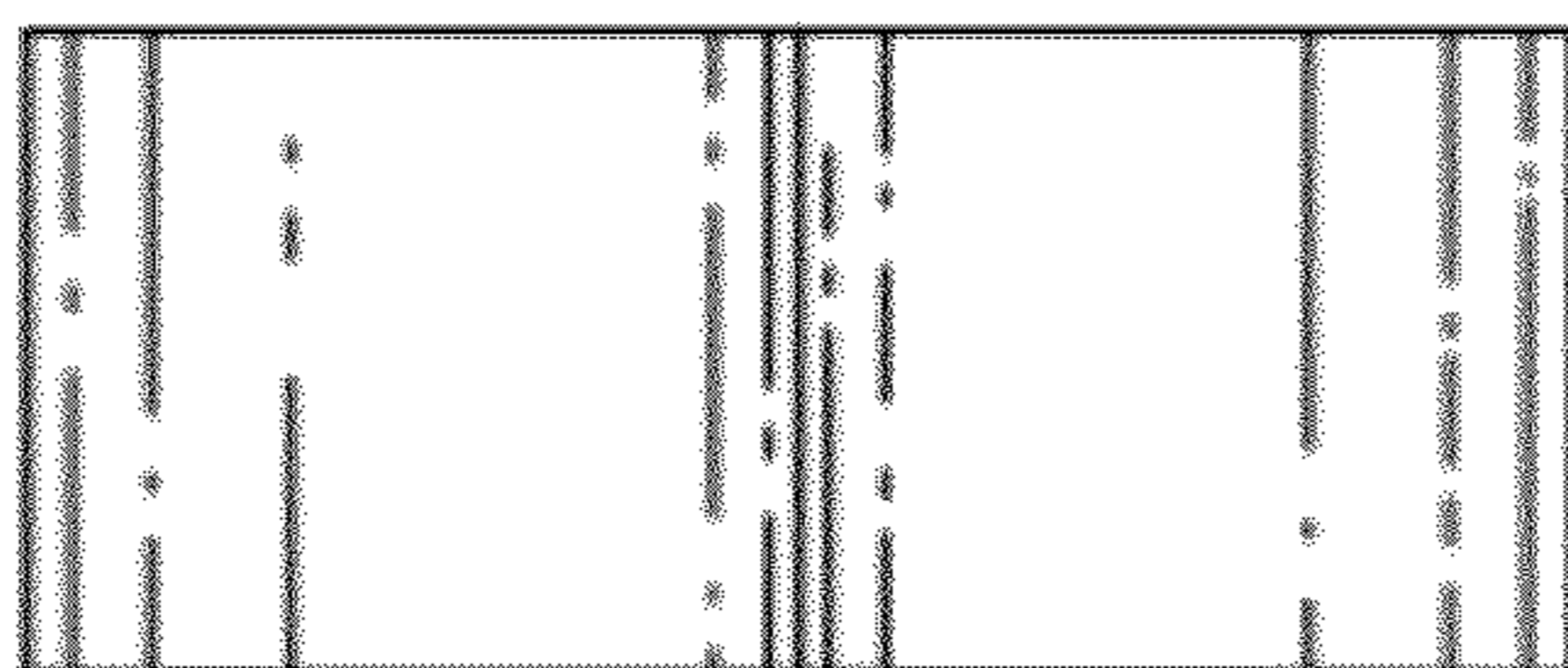


FIG. 4