



US00D657921S

(12) **United States Design Patent**
Lee

(10) **Patent No.:** **US D657,921 S**
(45) **Date of Patent:** **** Apr. 17, 2012**

(54) **VACUUM CLEANER**

(75) Inventor: **Hyun Il Lee**, Seoul (KR)

(73) Assignee: **Samsung Electronics Co., Ltd.**,
Suwom-si (KR)

(**) Term: **14 Years**

(21) Appl. No.: **29/357,022**

(22) Filed: **Mar. 5, 2010**

(51) **LOC (9) Cl.** **15-05**

(52) **U.S. Cl.** **D32/21**

(58) **Field of Classification Search** D32/21-24,
D32/31; 15/327.1-327.7, 329, 412, 320-321;
55/DIG. 3, 345, 357, 429, 271; 95/271
See application file for complete search history.

(56) **References Cited**

U.S. PATENT DOCUMENTS

D391,700 S * 3/1998 Hughes D32/21
D394,527 S * 5/1998 Pochopien et al. D32/21
D430,711 S * 9/2000 Piret D32/21

D503,250 S * 3/2005 Choi D32/21
D597,713 S * 8/2009 Brown et al. D32/21
D599,512 S * 9/2009 Lee et al. D32/21
D601,315 S * 9/2009 Lee et al. D32/21
D626,709 S * 11/2010 Fjellman D32/21

* cited by examiner

Primary Examiner — Ruth McInroy

(74) *Attorney, Agent, or Firm* — Ladas & Parry LLP

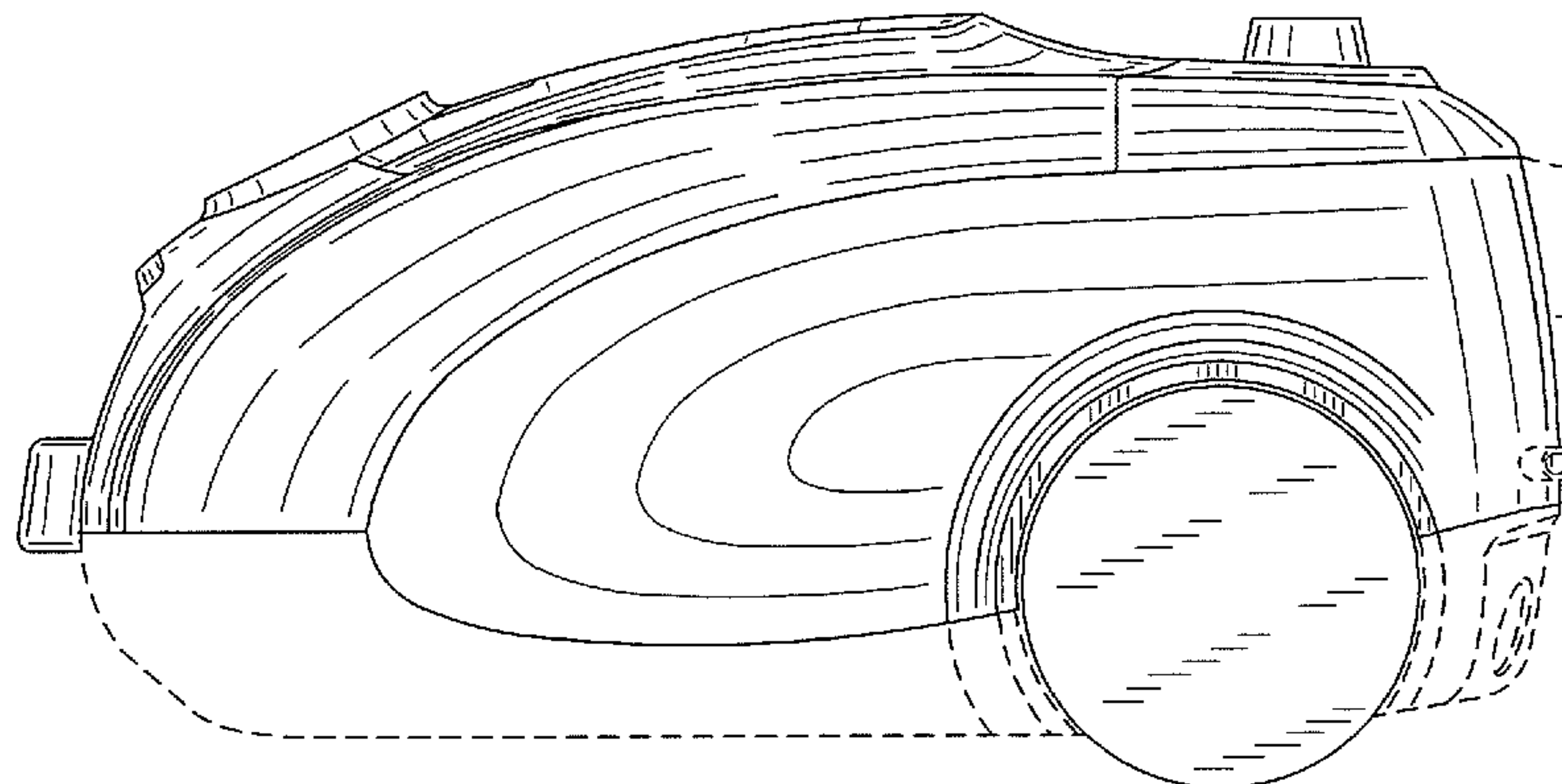
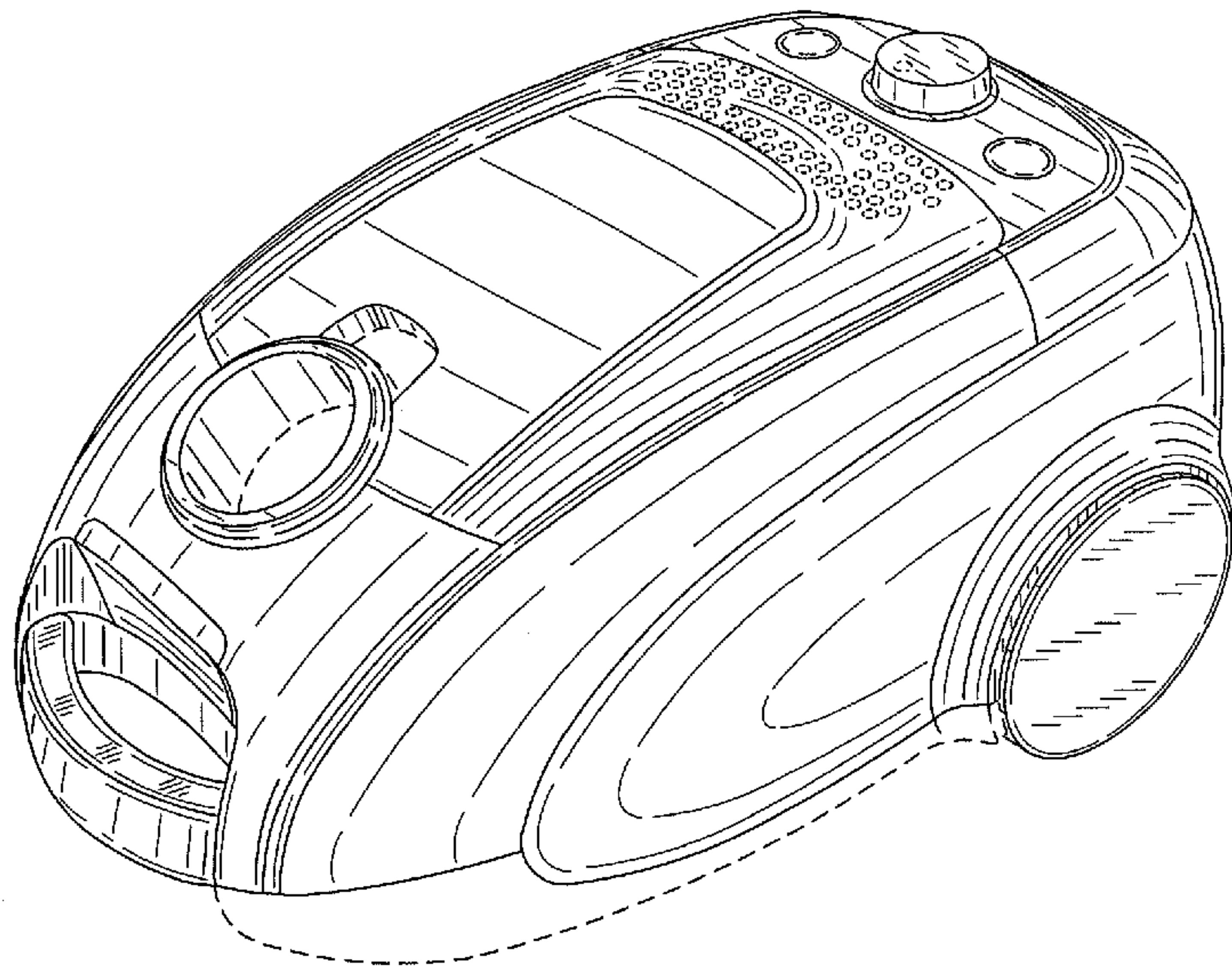
(57) **CLAIM**

I claim the ornamental design for a vacuum cleaner, as shown and described.

DESCRIPTION

FIG. 1 is a top, front and right-side perspective view of a vacuum cleaner showing my new design;
FIG. 2 is a front elevational view thereof;
FIG. 3 is a rear elevational view thereof;
FIG. 4 is a left-side elevational view thereof;
FIG. 5 is a right-side elevational view thereof;
FIG. 6 is a top plan view thereof; and,
FIG. 7 is a bottom plan view thereof.

1 Claim, 6 Drawing Sheets



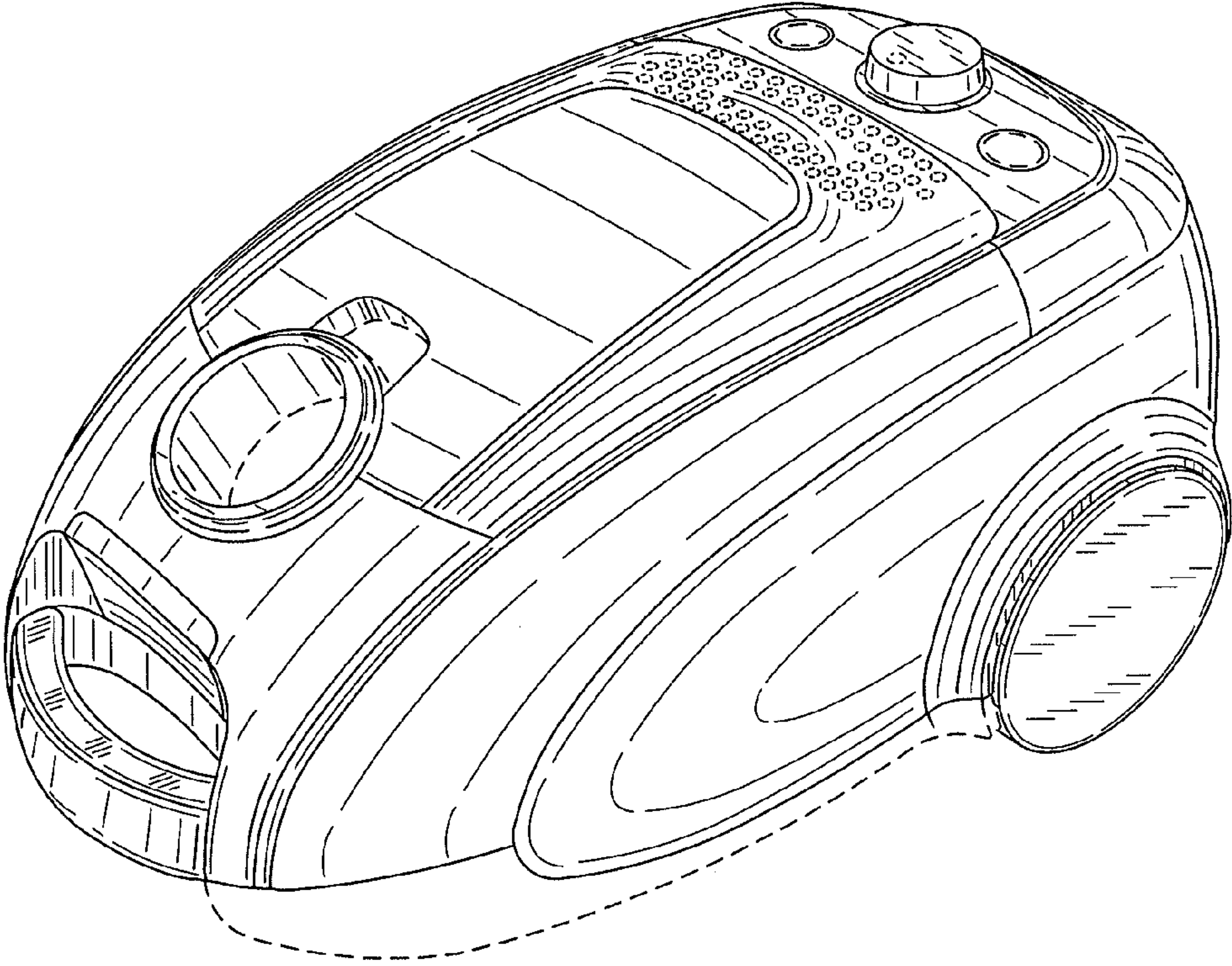


FIG. 1

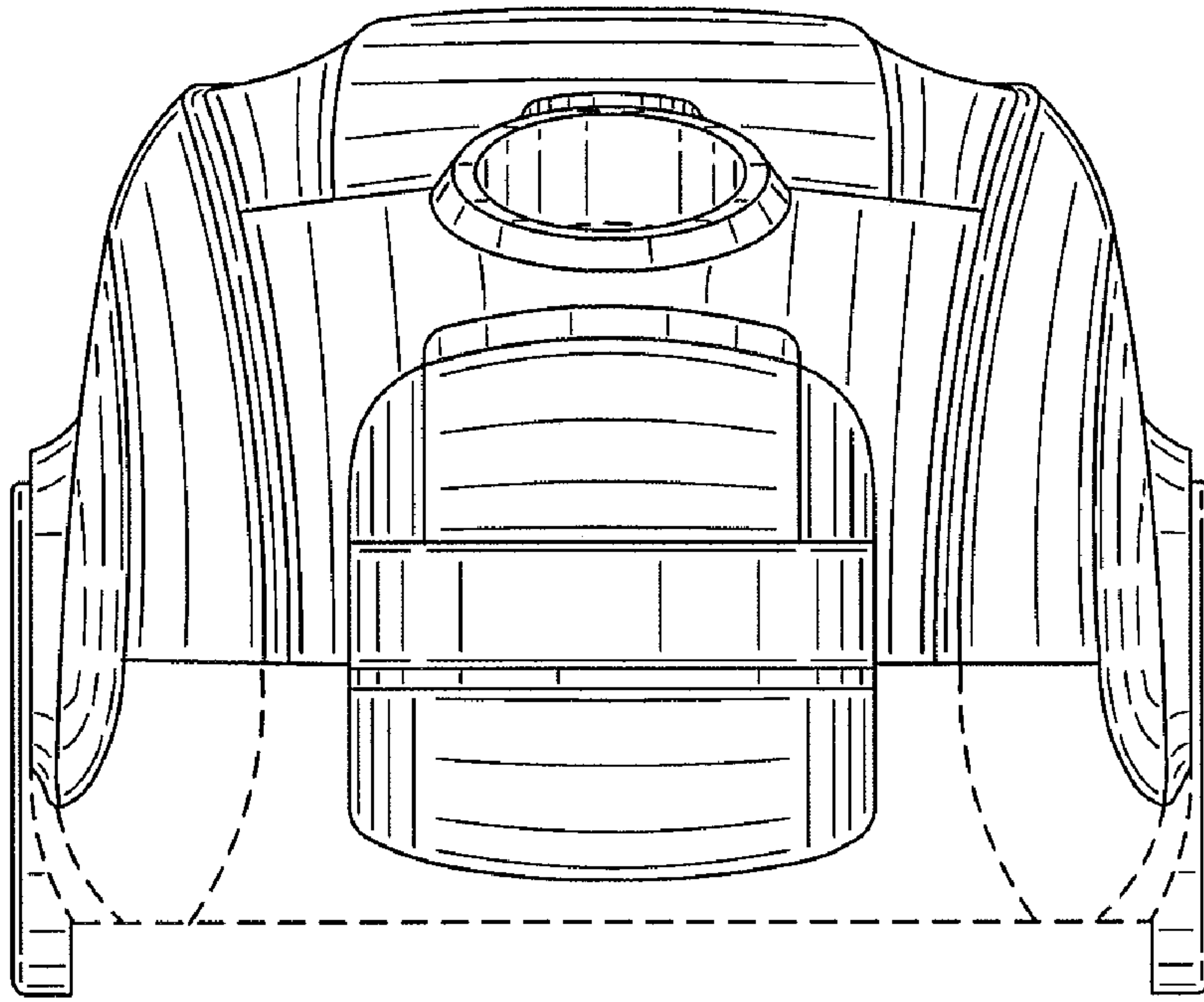


FIG. 2

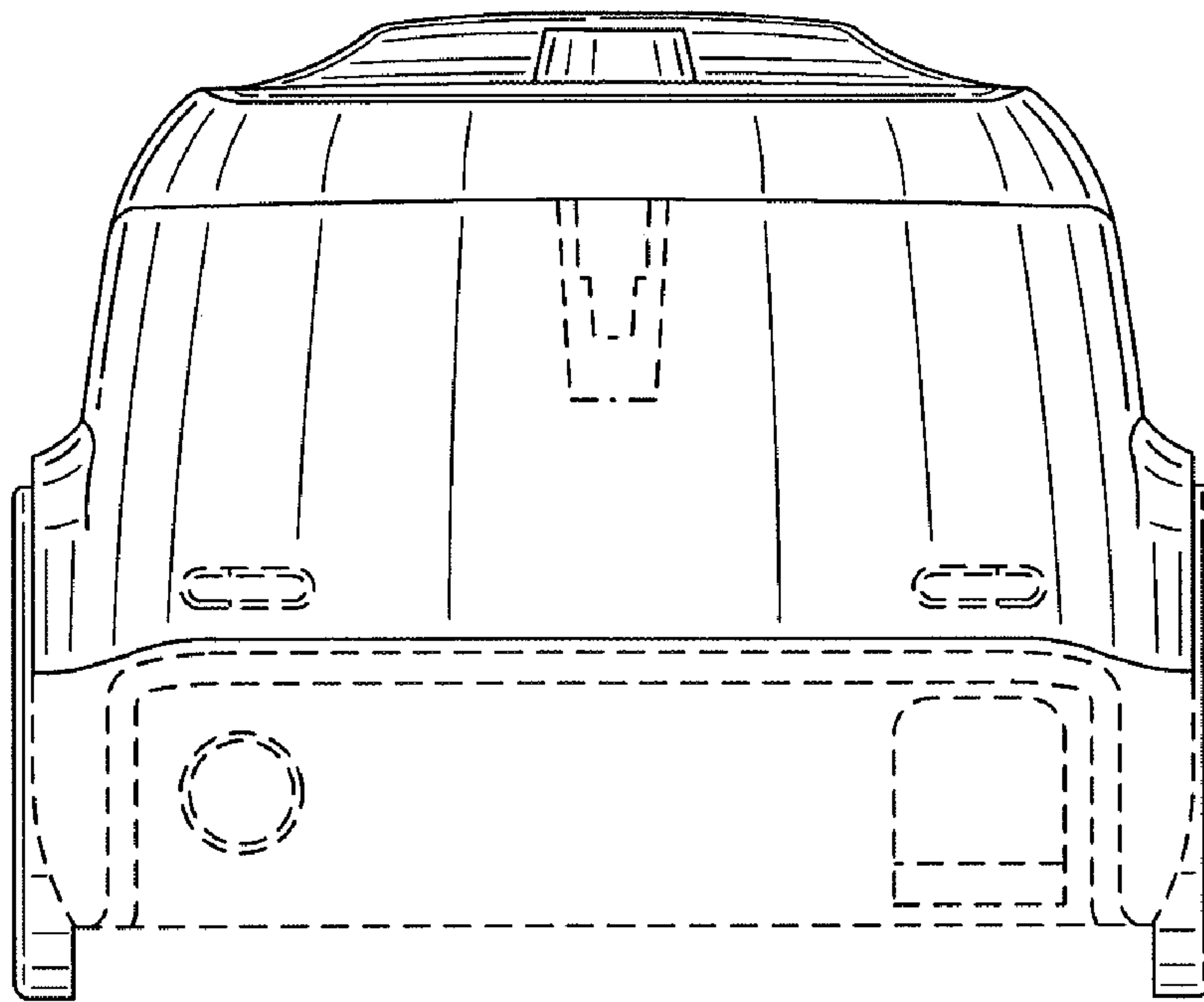


FIG. 3

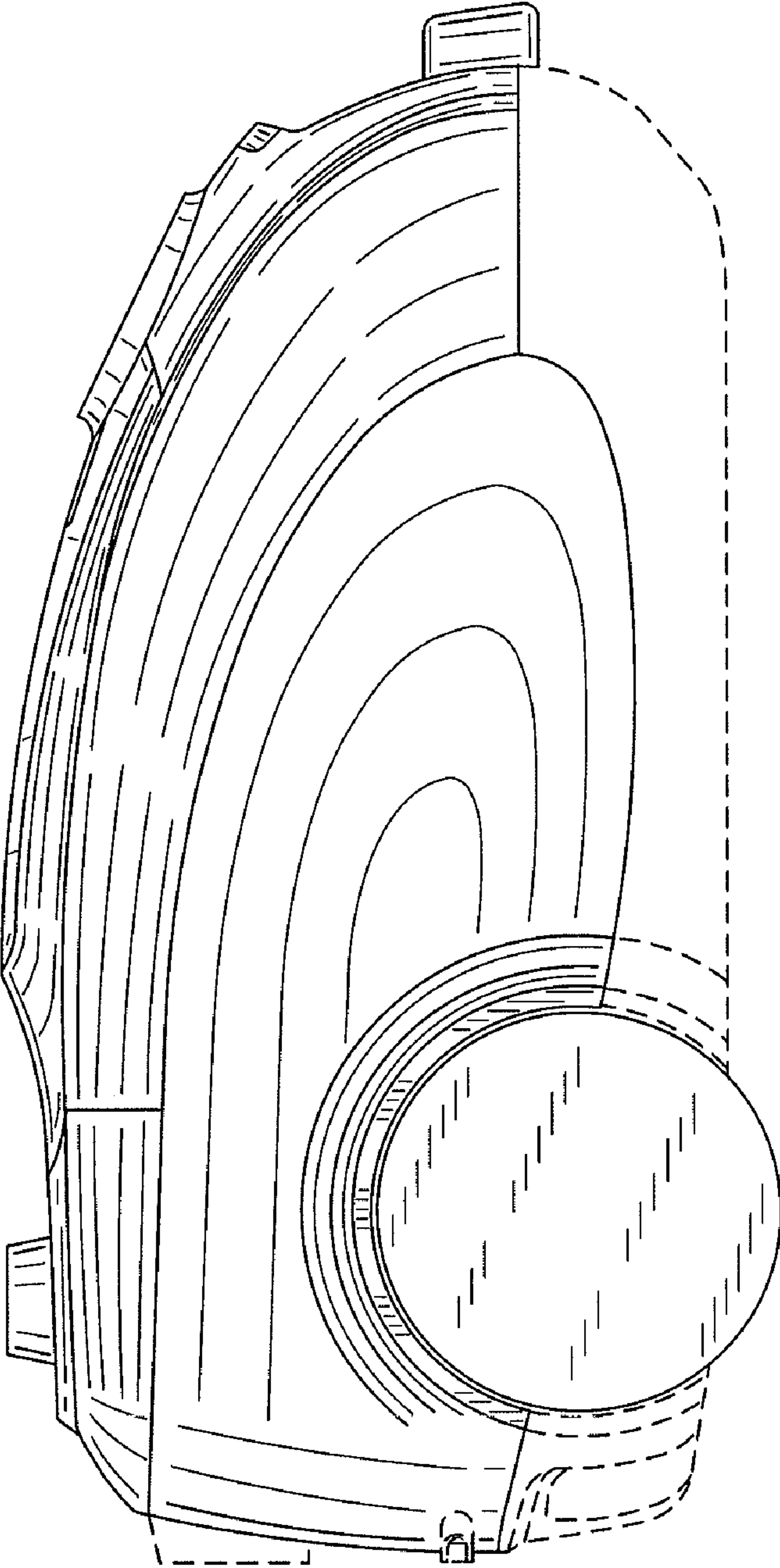


FIG. 4

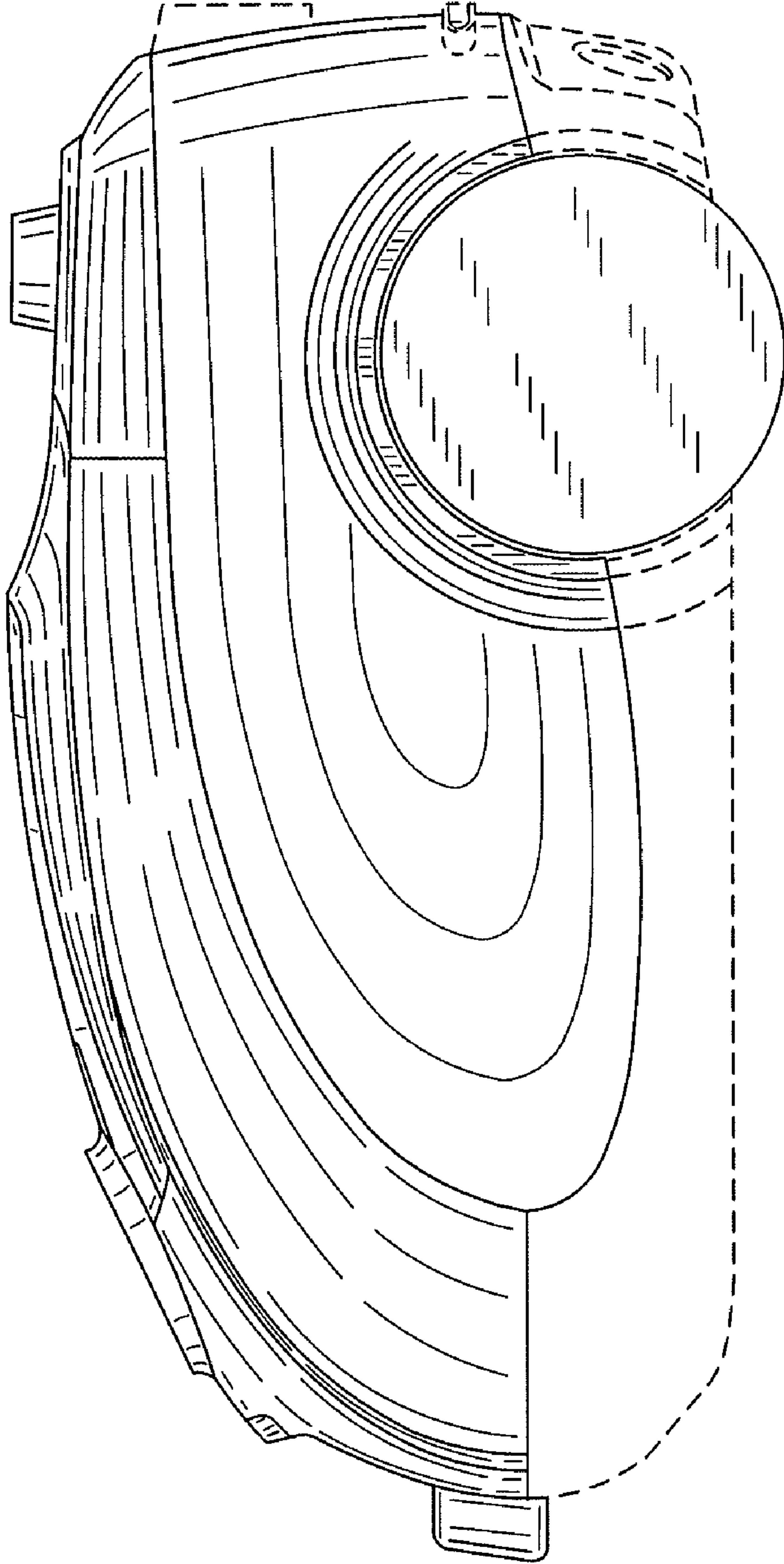


FIG. 5

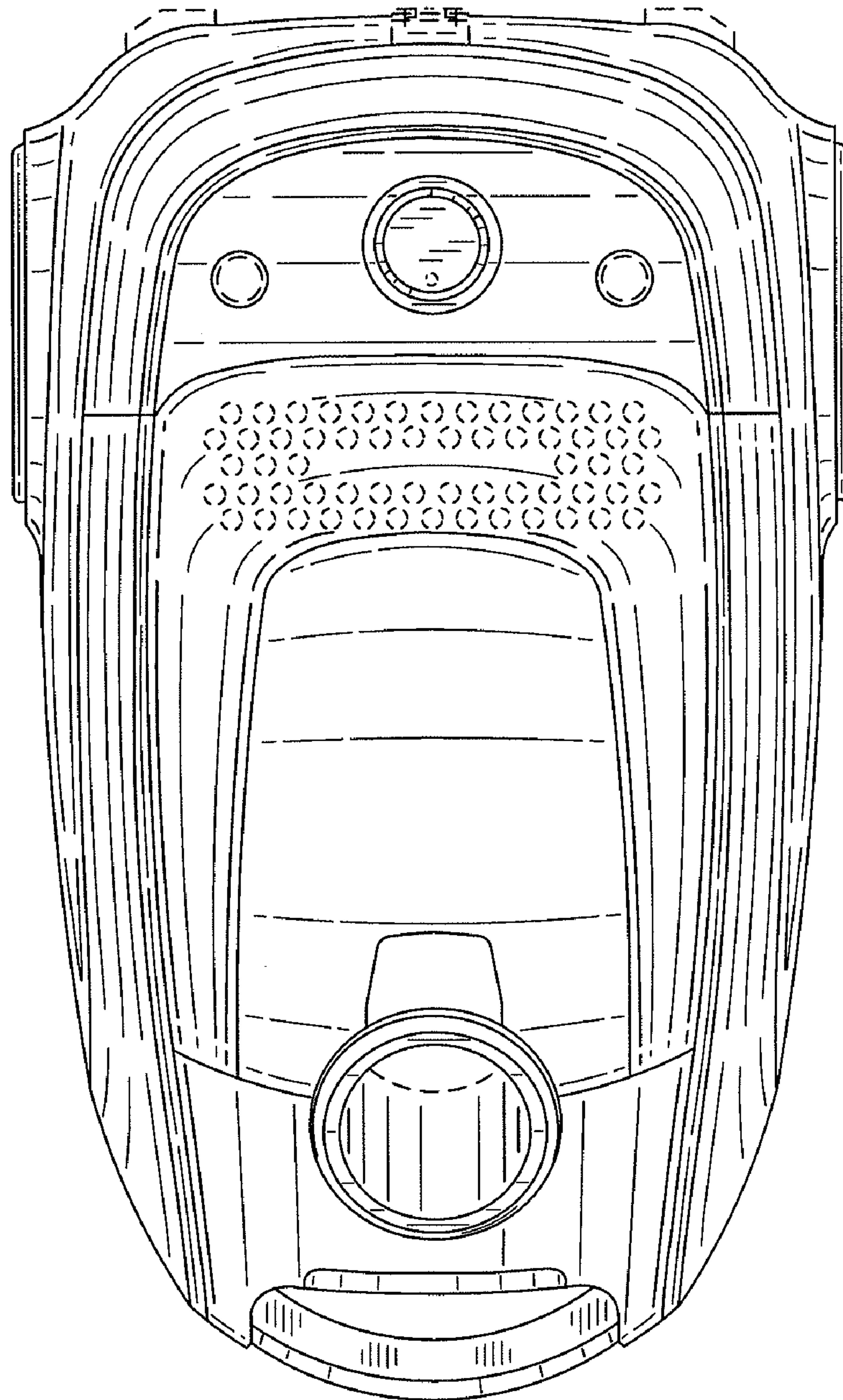


FIG. 6

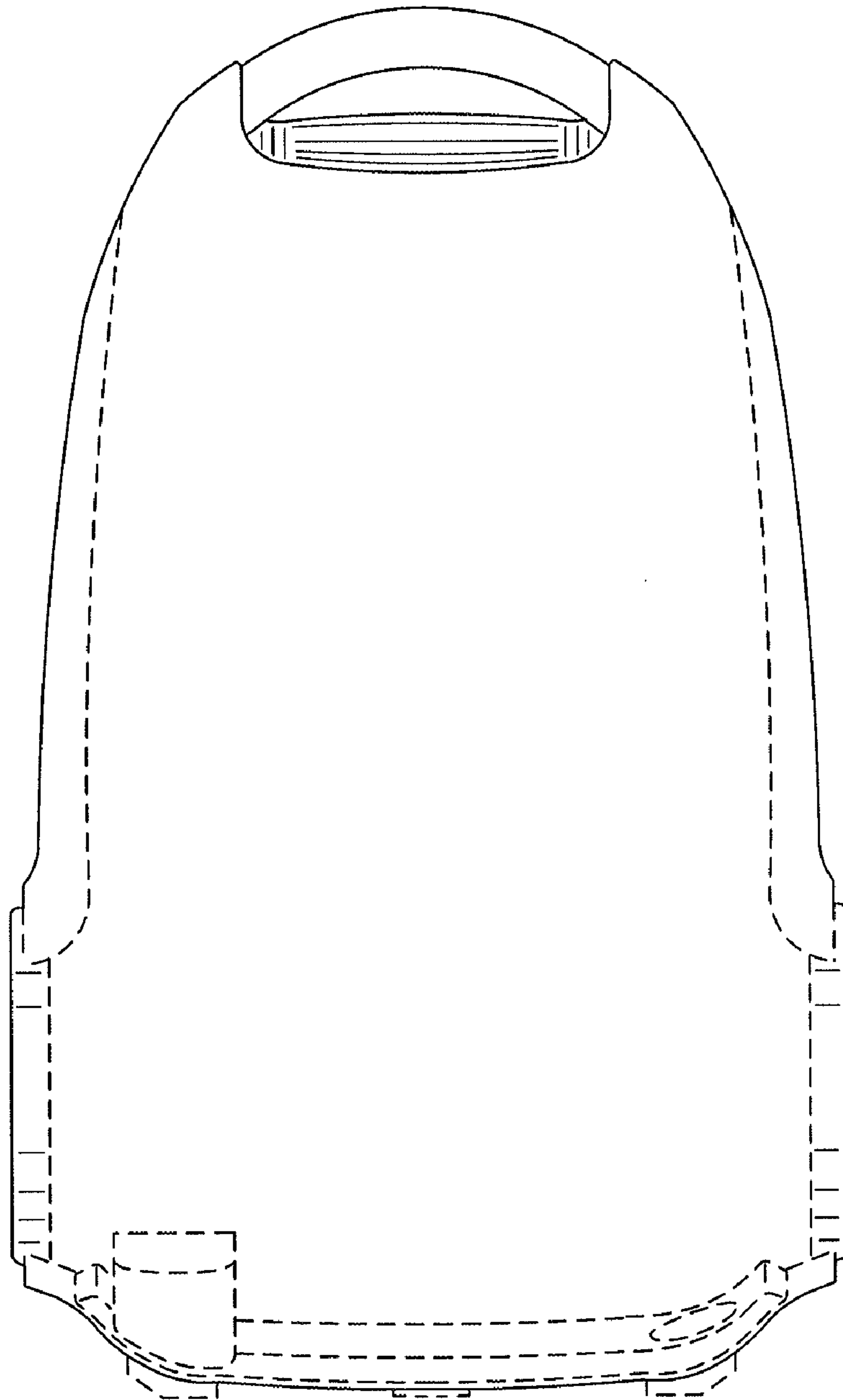


FIG. 7