



US00D657918S

(12) **United States Design Patent**
Lee

(10) **Patent No.:** **US D657,918 S**

(45) **Date of Patent:** **** Apr. 17, 2012**

(54) **PROTECTIVE MASK**

(76) Inventor: **Shih-Min Lee**, Taoyuan County (TW)

(**) Term: **14 Years**

(21) Appl. No.: **29/399,342**

(22) Filed: **Aug. 12, 2011**

(51) **LOC (9) Cl.** **29-02**

(52) **U.S. Cl.** **D29/110**

(58) **Field of Classification Search** D29/100,
D29/102, 104, 105, 106, 107, 108, 109, 110,
D29/111, 122; 2/455, 410, 8.1, 8.2, 8.3,
2/8.4, 8.7, 9, 422, 423, 424, 425, 15, 6.3,
2/6.5, 6.7, 7, 206, 417, 418, 419, 171, 205,
2/431, 432; D2/878, 879, 882; D24/110.1,
D24/110.2, 110.3; 128/206.12, 206.13, 206.28,
128/206.24, 857

See application file for complete search history.

(56) **References Cited**

U.S. PATENT DOCUMENTS

D503,498 S *	3/2005	Canavan et al.	D29/110
D504,195 S *	4/2005	Canavan et al.	D29/122
D512,187 S *	11/2005	Canavan et al.	D29/122
D539,485 S *	3/2007	Huh	D29/110
D557,461 S *	12/2007	Probst	D29/108

D558,403 S *	12/2007	Lee et al.	D29/108
D584,858 S *	1/2009	Wang	D29/110
D585,604 S *	1/2009	Martin	D29/110
D586,956 S *	2/2009	Huh	D29/110
D624,705 S *	9/2010	Wright	D29/108
D630,383 S *	1/2011	Broersma	D29/110
D636,129 S *	4/2011	Wu	D29/110

* cited by examiner

Primary Examiner — Elizabeth J Oswecki

(74) *Attorney, Agent, or Firm* — Rosenberg, Klein & Lee

(57) **CLAIM**

The ornamental design for a protective mask, as shown and described.

DESCRIPTION

FIG. 1 is a perspective view of a protective mask showing my new design;

FIG. 2 is a front elevational view thereof;

FIG. 3 is a rear elevational view thereof;

FIG. 4 is a left side elevational view thereof;

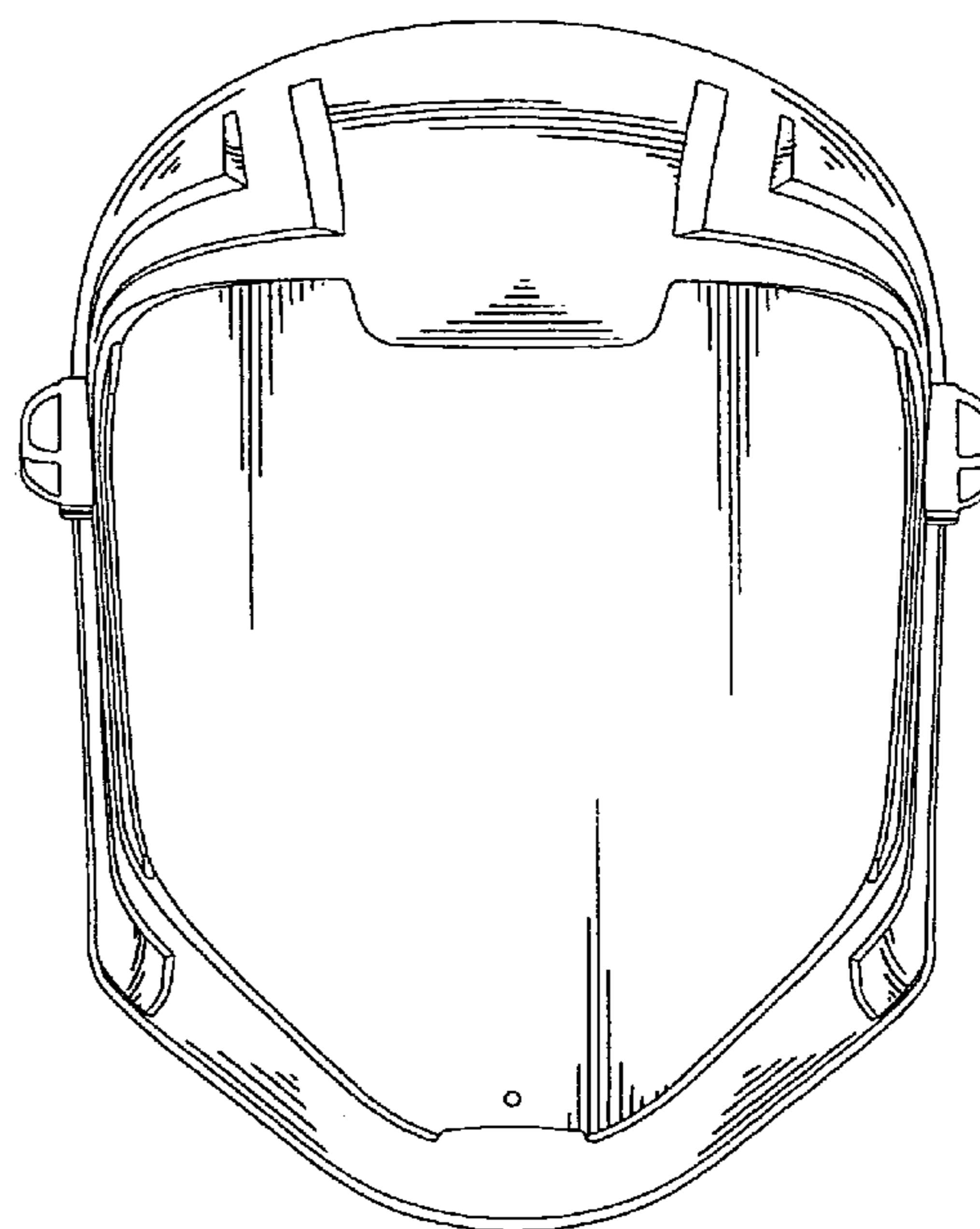
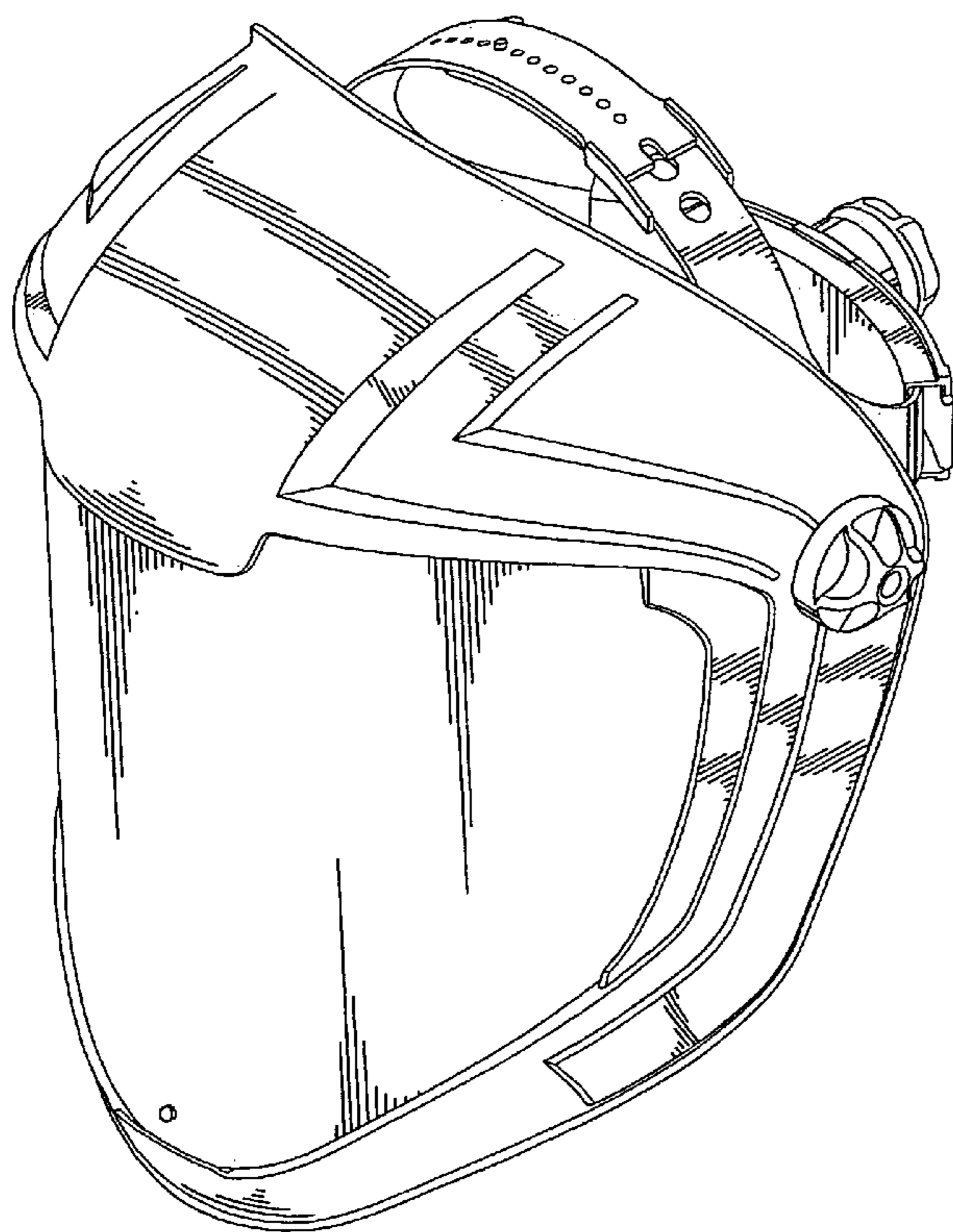
FIG. 5 is a right side elevational view thereof;

FIG. 6 is a top plan view thereof; and,

FIG. 7 is a bottom plan view thereof.

In the drawings, the broken lines in FIG. 3 depict a portion of the design that form no part of the claim.

1 Claim, 7 Drawing Sheets



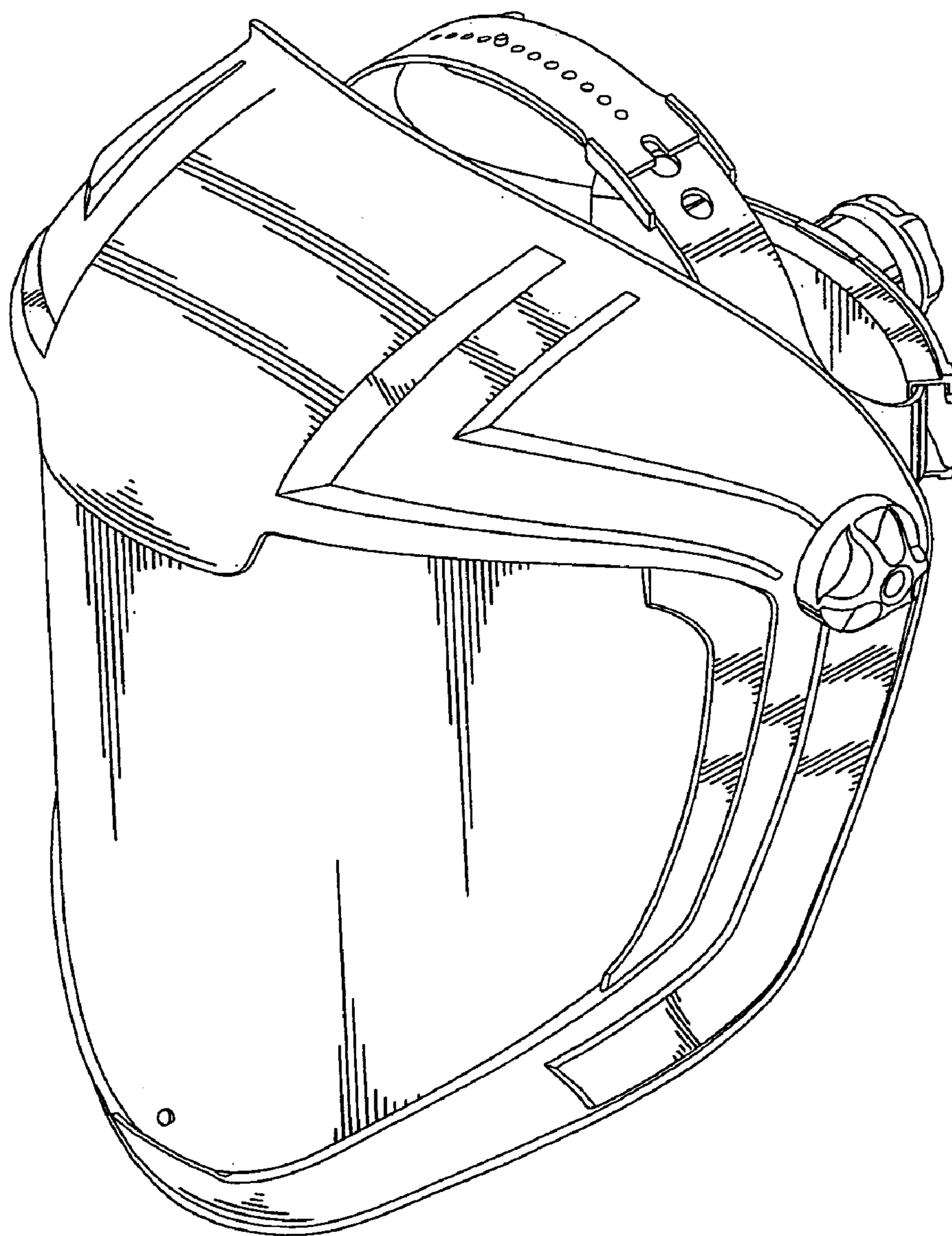


FIG. 1

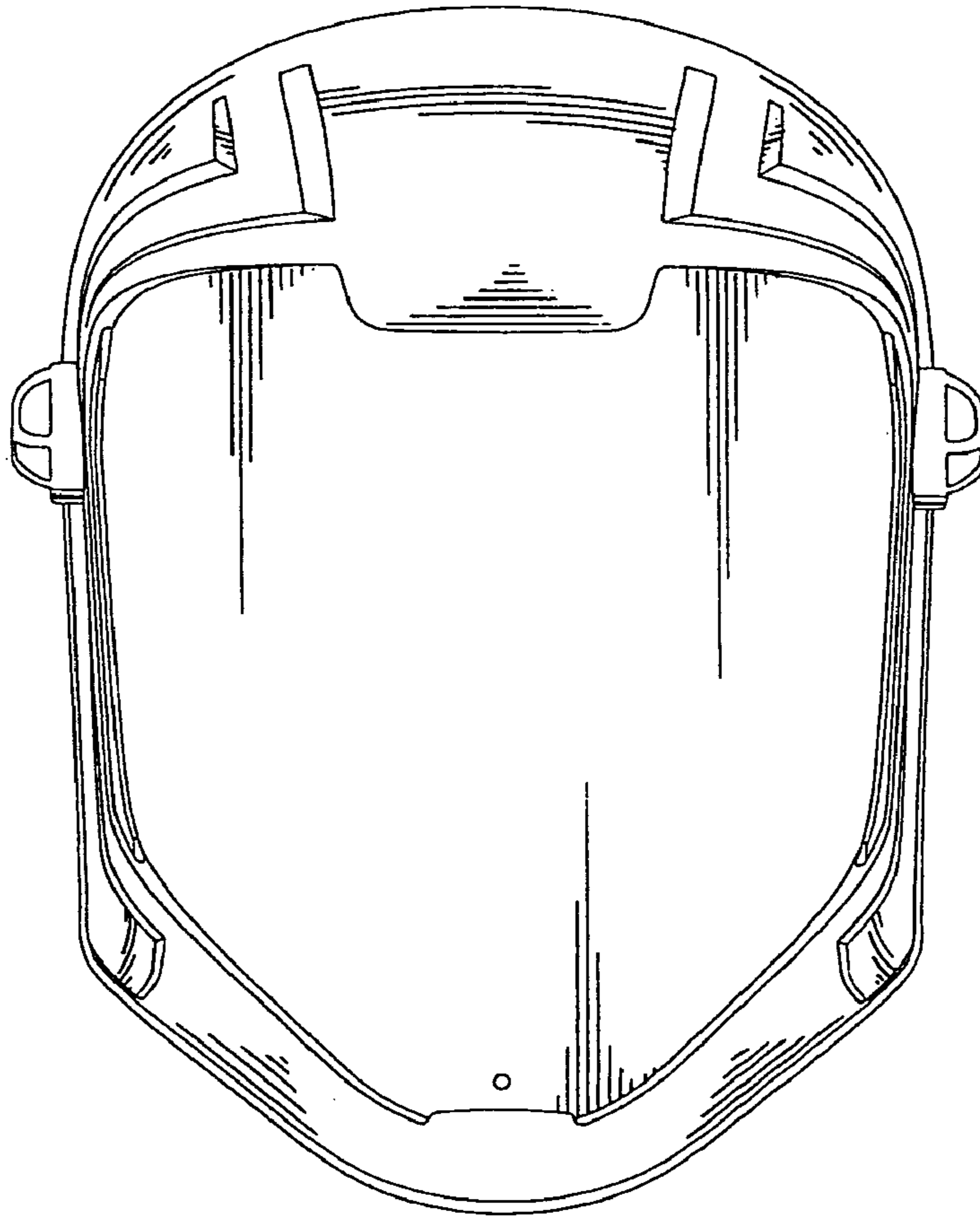


FIG. 2

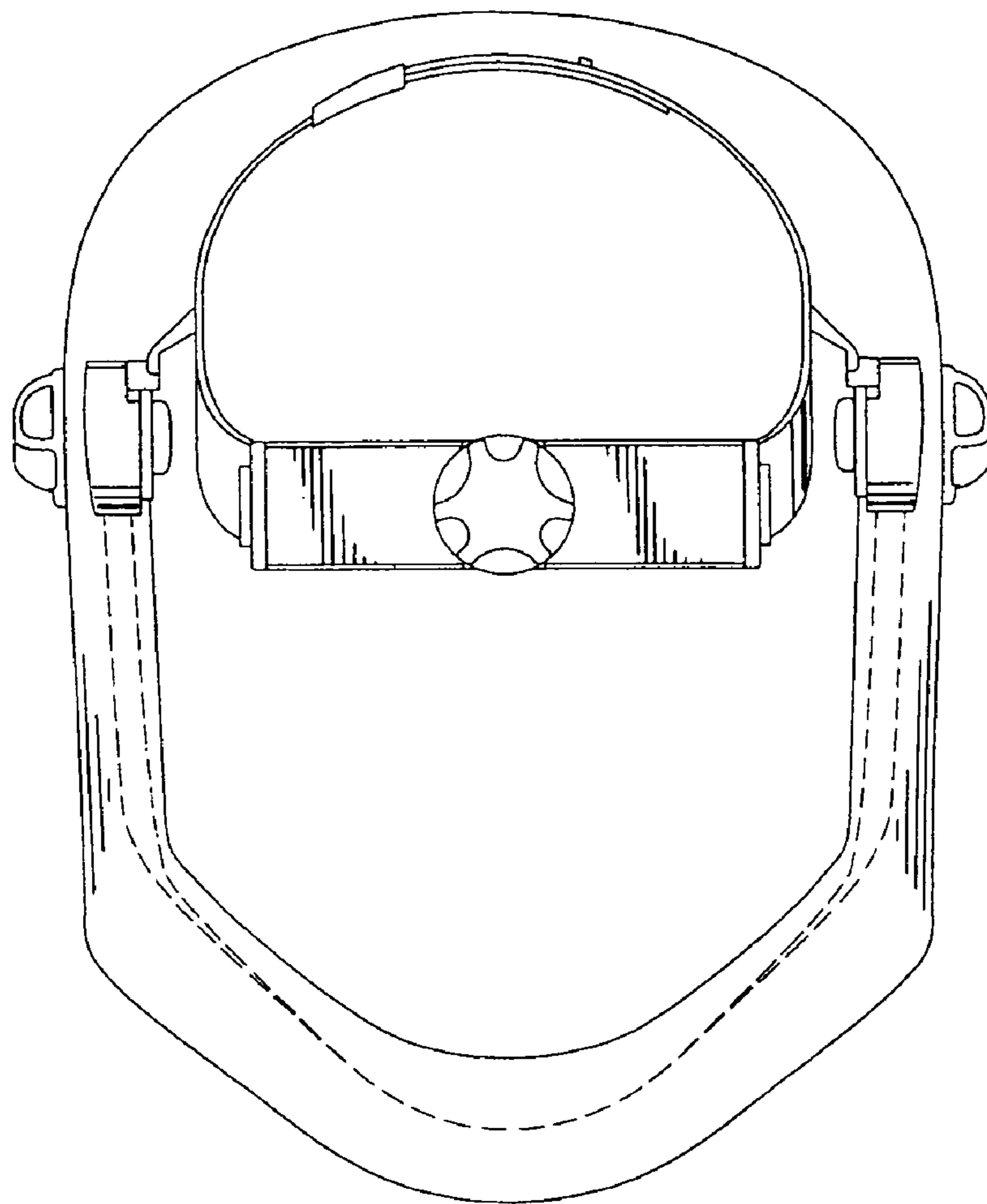


FIG. 3

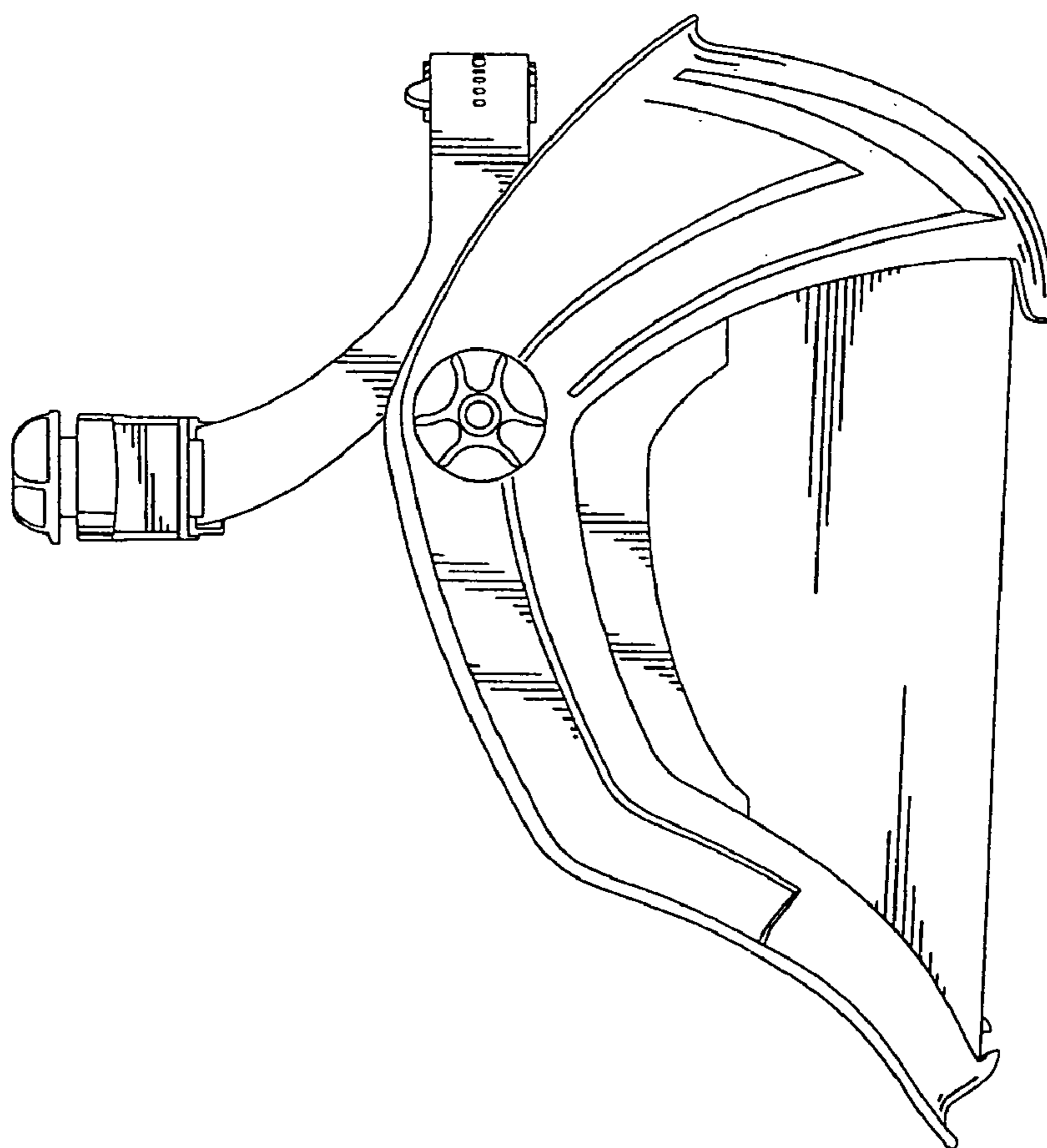


FIG. 4

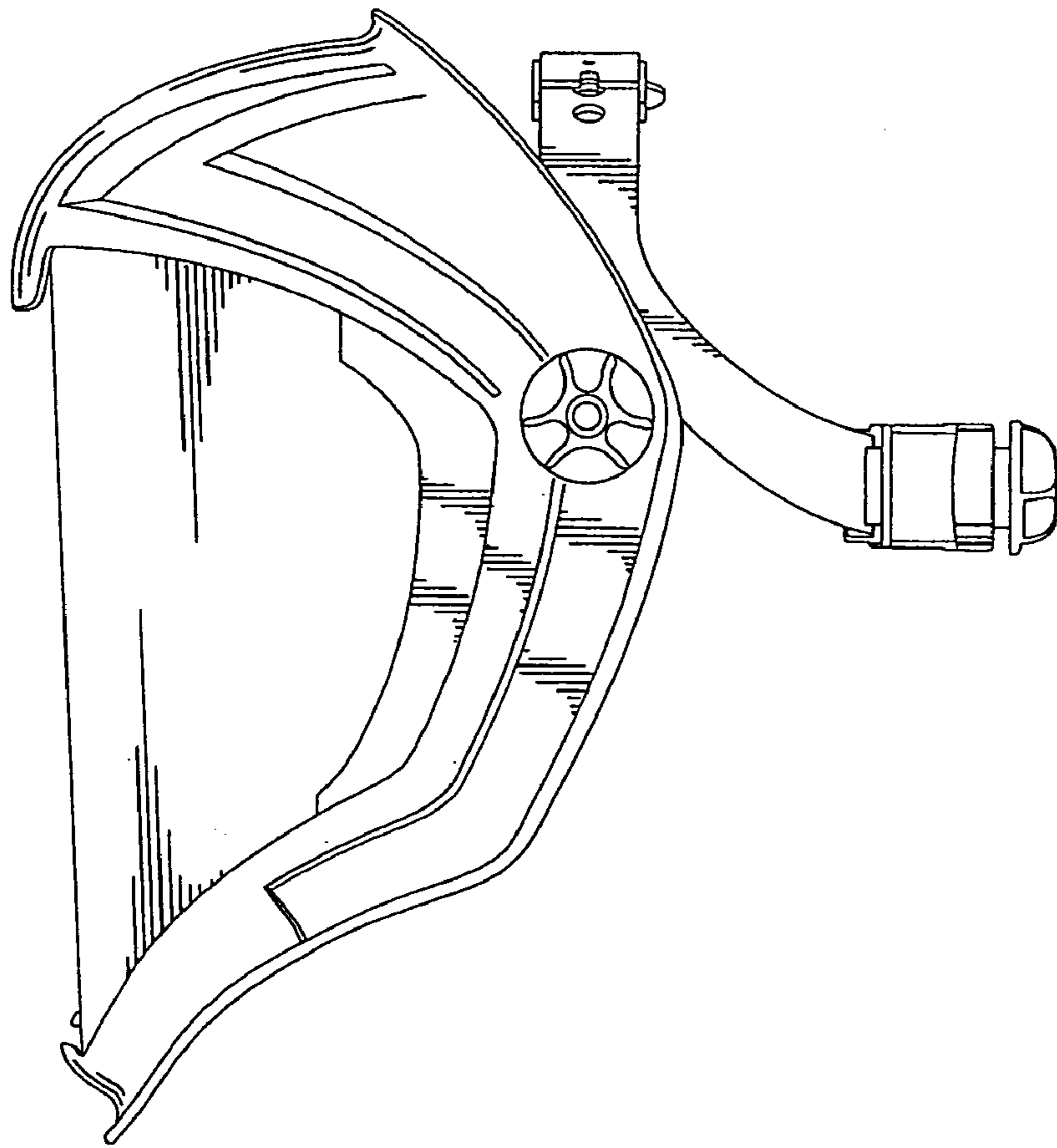


FIG. 5

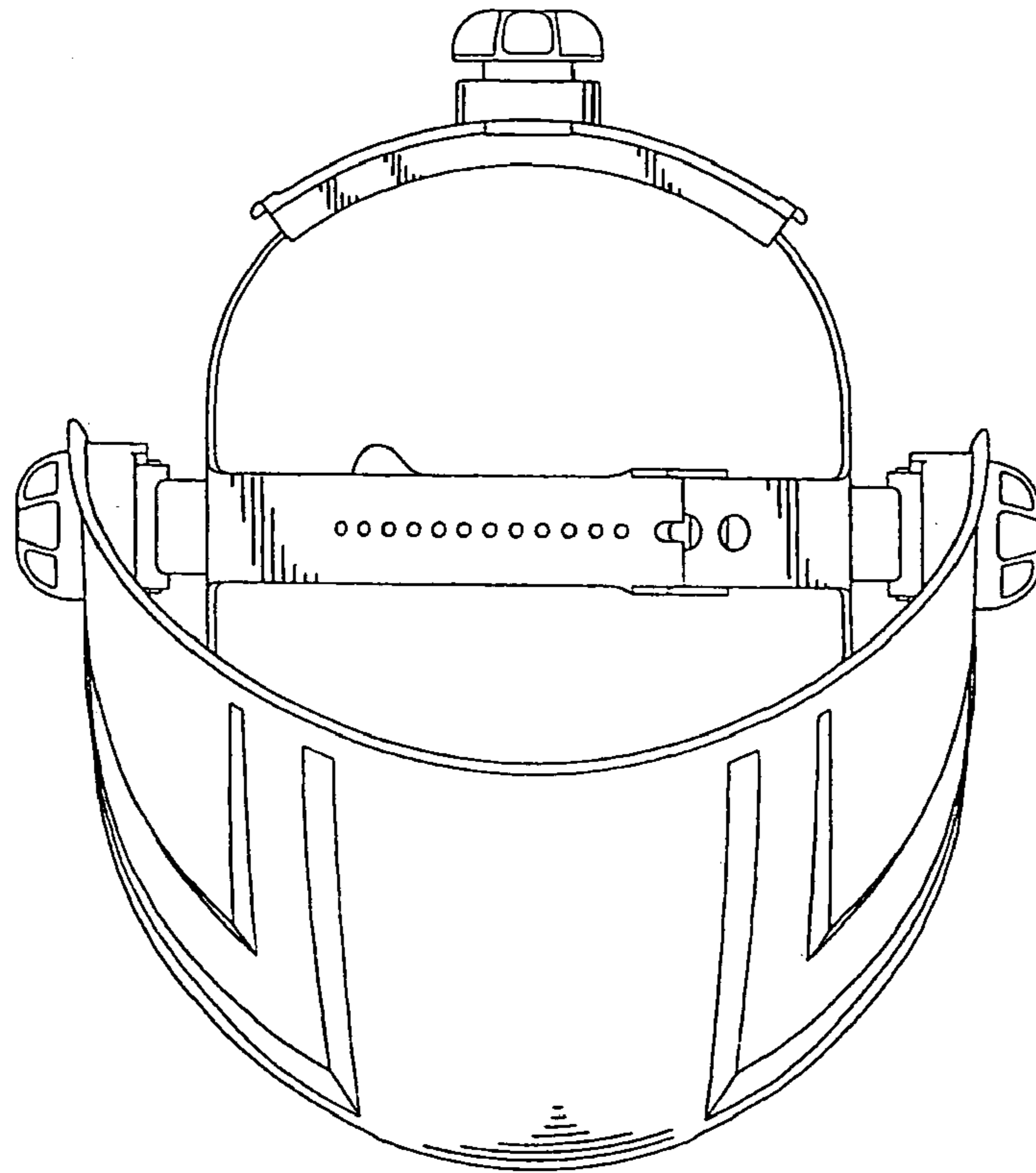


FIG. 6

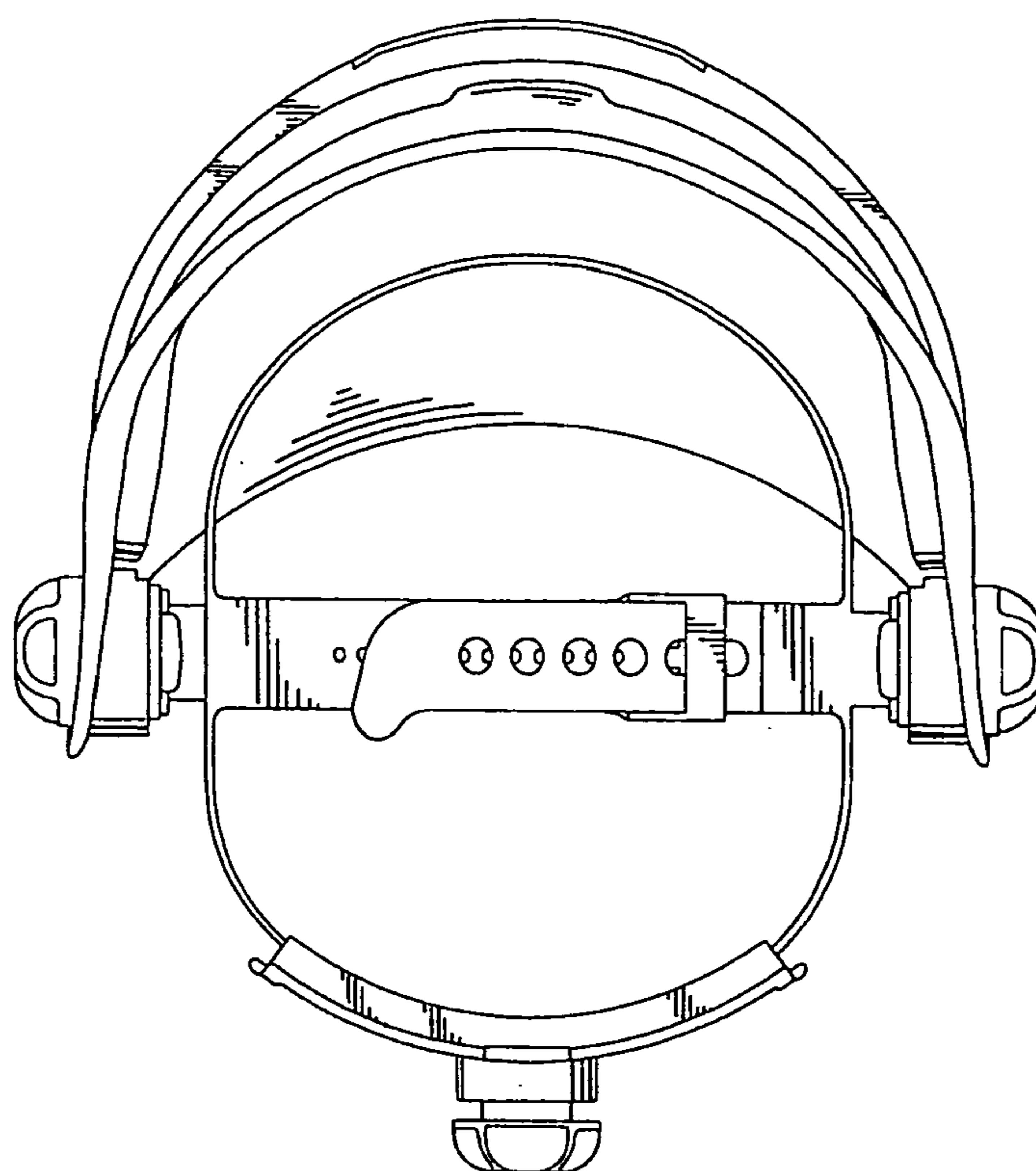


FIG. 7