



US00D657915S

(12) **United States Design Patent**
Lai

(10) **Patent No.:** **US D657,915 S**
(45) **Date of Patent:** **** Apr. 17, 2012**

(54) **COSMETIC CASE**

(75) Inventor: **Chin-Chun Lai**, New Taipei (TW)

(73) Assignee: **Chao Ling Chemical Industry Co., Ltd.**, Hsin Chu (TW)

(**) Term: **14 Years**

(21) Appl. No.: **29/390,373**

(22) Filed: **Apr. 25, 2011**

(51) **LOC (9) Cl.** **28-03**

(52) **U.S. Cl.** **D28/83; D3/284; D3/901**

(58) **Field of Classification Search** D28/73,
D28/76-84; D3/294-296, 901, 284; 206/581,
206/823; 132/286-318

See application file for complete search history.

(56) **References Cited**

U.S. PATENT DOCUMENTS

2,009,781	A *	7/1935	Matthes	191/43
2,205,118	A *	6/1940	Friedman	190/104
D202,160	S *	8/1965	Territo	D3/284
4,936,463	A *	6/1990	Tiramani	206/581
5,878,757	A *	3/1999	Hernandez	132/287
5,941,255	A *	8/1999	Chen	132/315
D467,428	S *	12/2002	Wolf	D3/291
D485,067	S *	1/2004	Wolf	D3/295
D485,682	S *	1/2004	Wolf	D3/295

7,048,114	B1 *	5/2006	Prottas	206/229
D614,814	S *	4/2010	Lin	D28/83
D618,854	S *	6/2010	Lin	D28/83
D631,201	S *	1/2011	Lai	D28/73

* cited by examiner

Primary Examiner — Jennifer Rivard

(74) *Attorney, Agent, or Firm* — Leong C. Lei

(57) **CLAIM**

The ornamental design for a cosmetic case, as shown and described.

DESCRIPTION

FIG. 1 is a front perspective view of a cosmetic case showing my new design;

FIG. 2 is a front elevational view thereof;

FIG. 3 is a rear elevational view thereof;

FIG. 4 is a left elevational view thereof;

FIG. 5 is a right elevational view thereof;

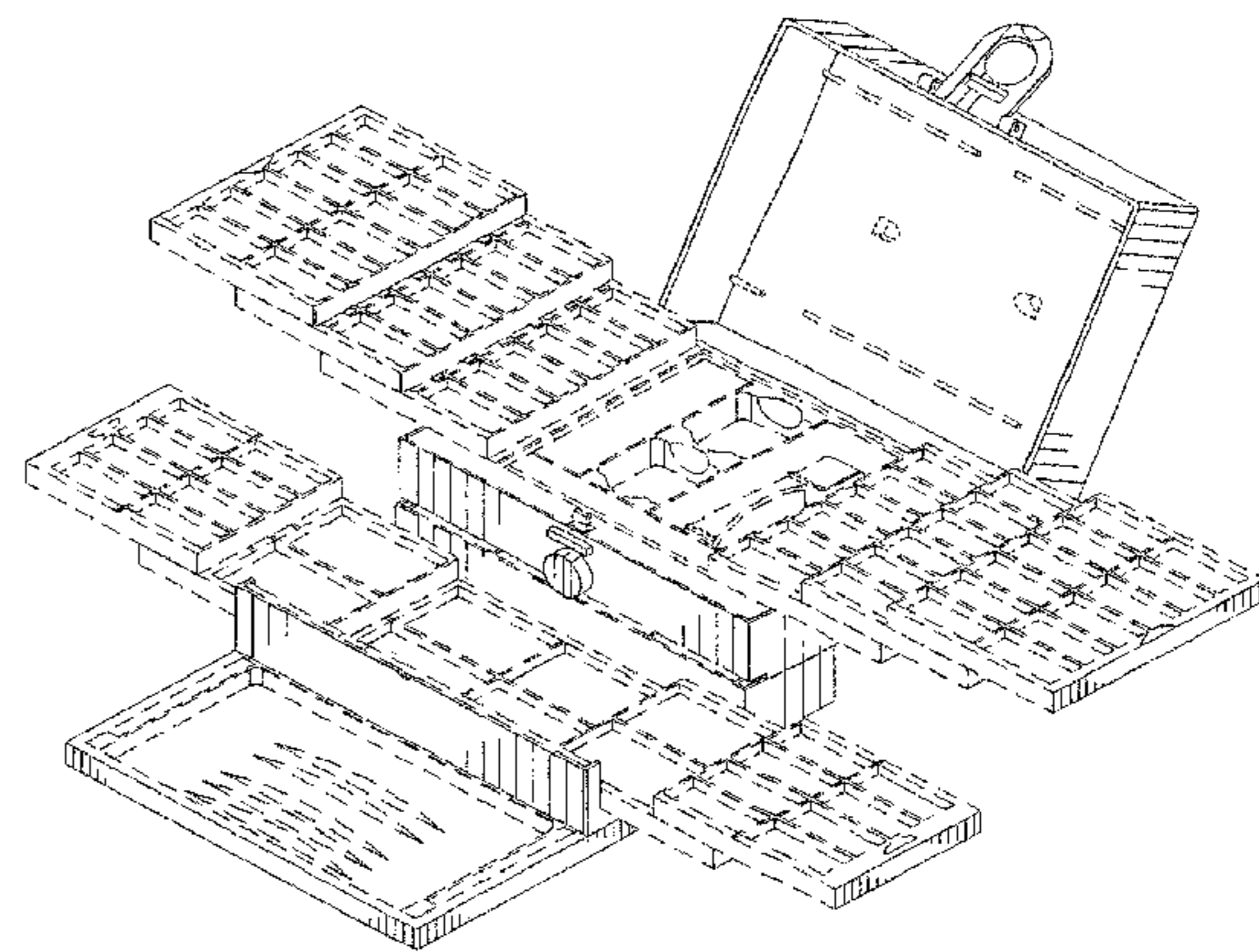
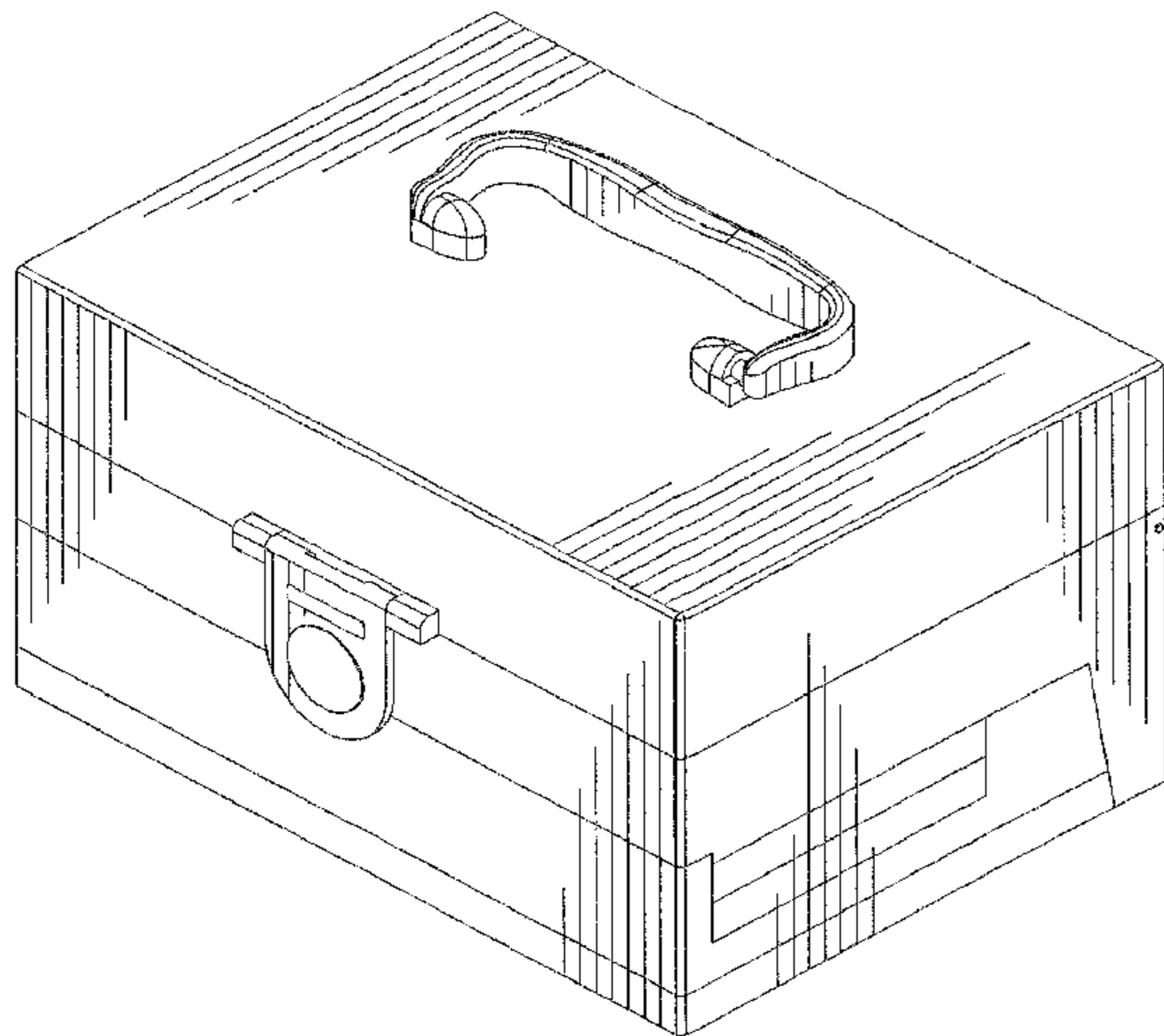
FIG. 6 is a top plan view thereof;

FIG. 7 is a bottom plan view thereof; and,

FIG. 8 is another perspective view thereof, showing the status while in use.

The dotted line showing of the internal storage compartments is for illustrative purposes only and forms no part of the claimed design.

1 Claim, 8 Drawing Sheets



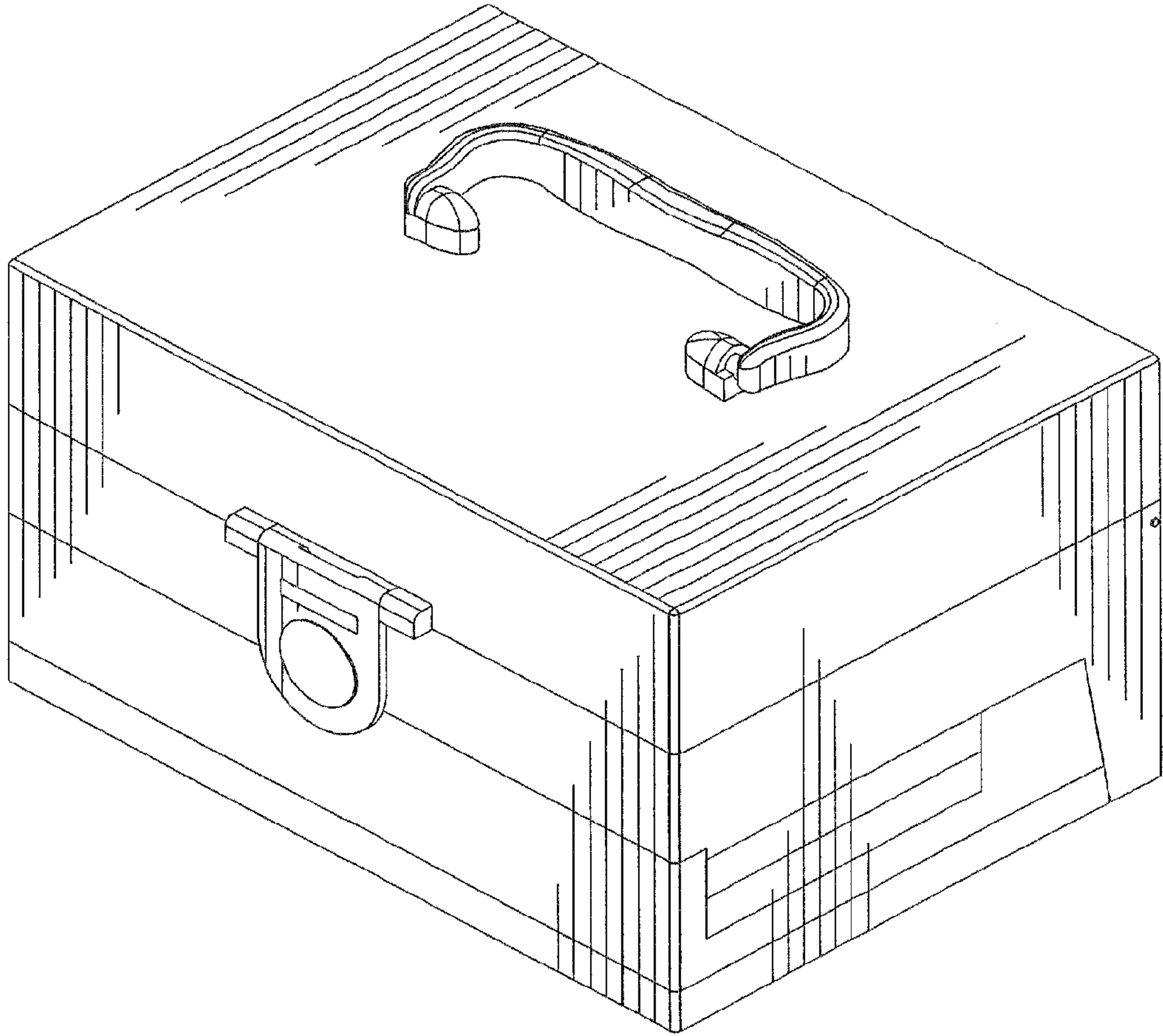


FIG. 1

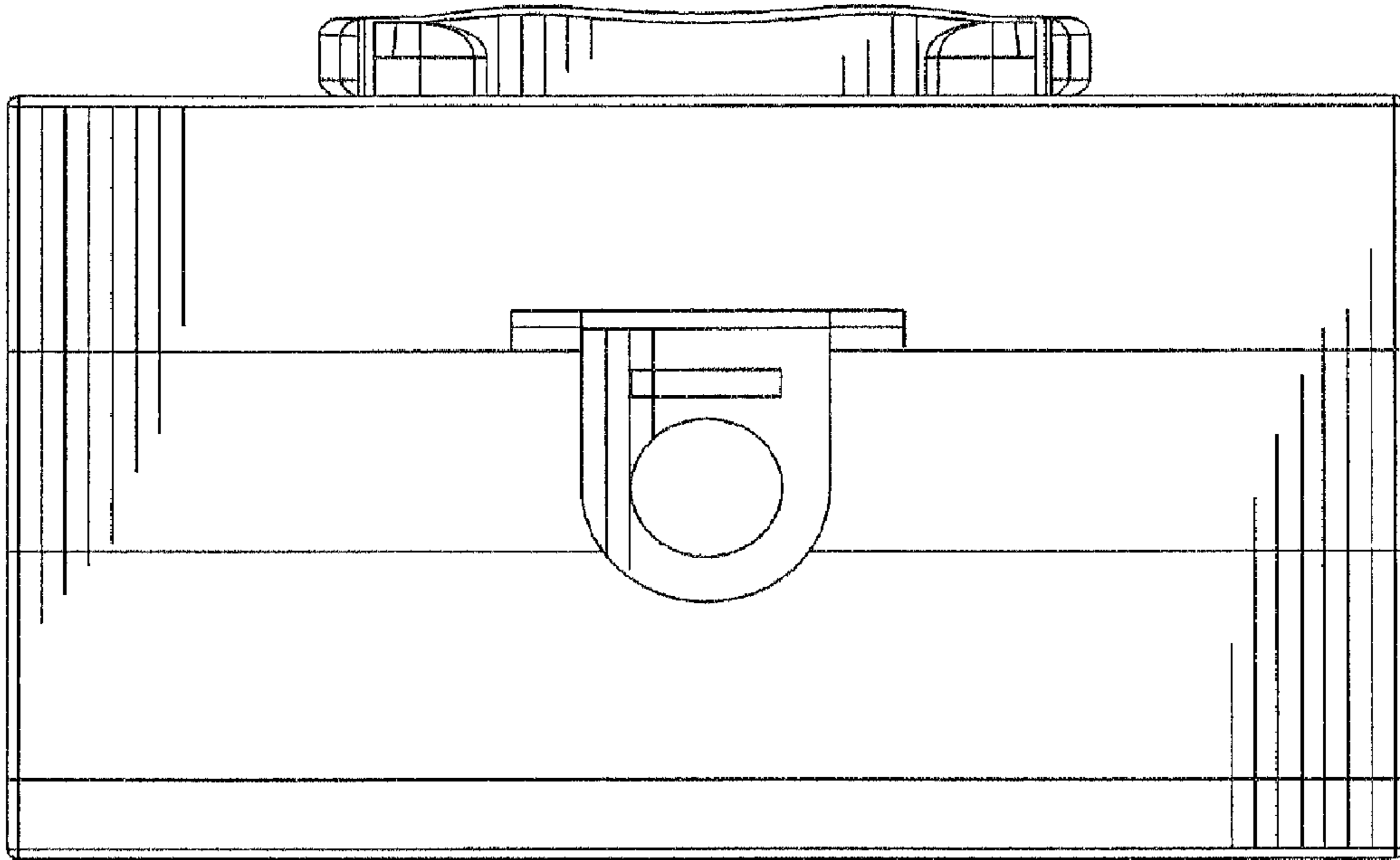


FIG.2

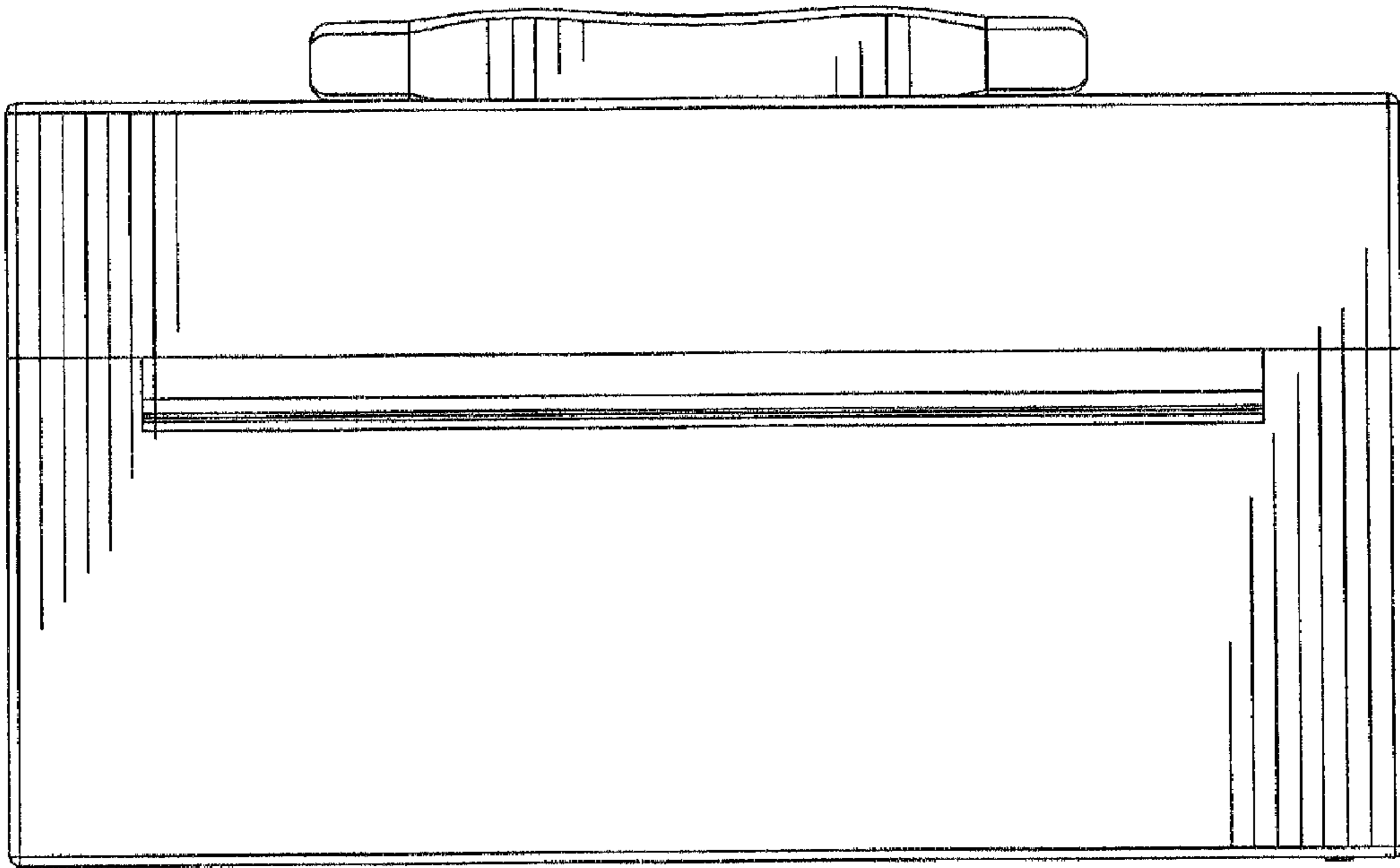


FIG.3

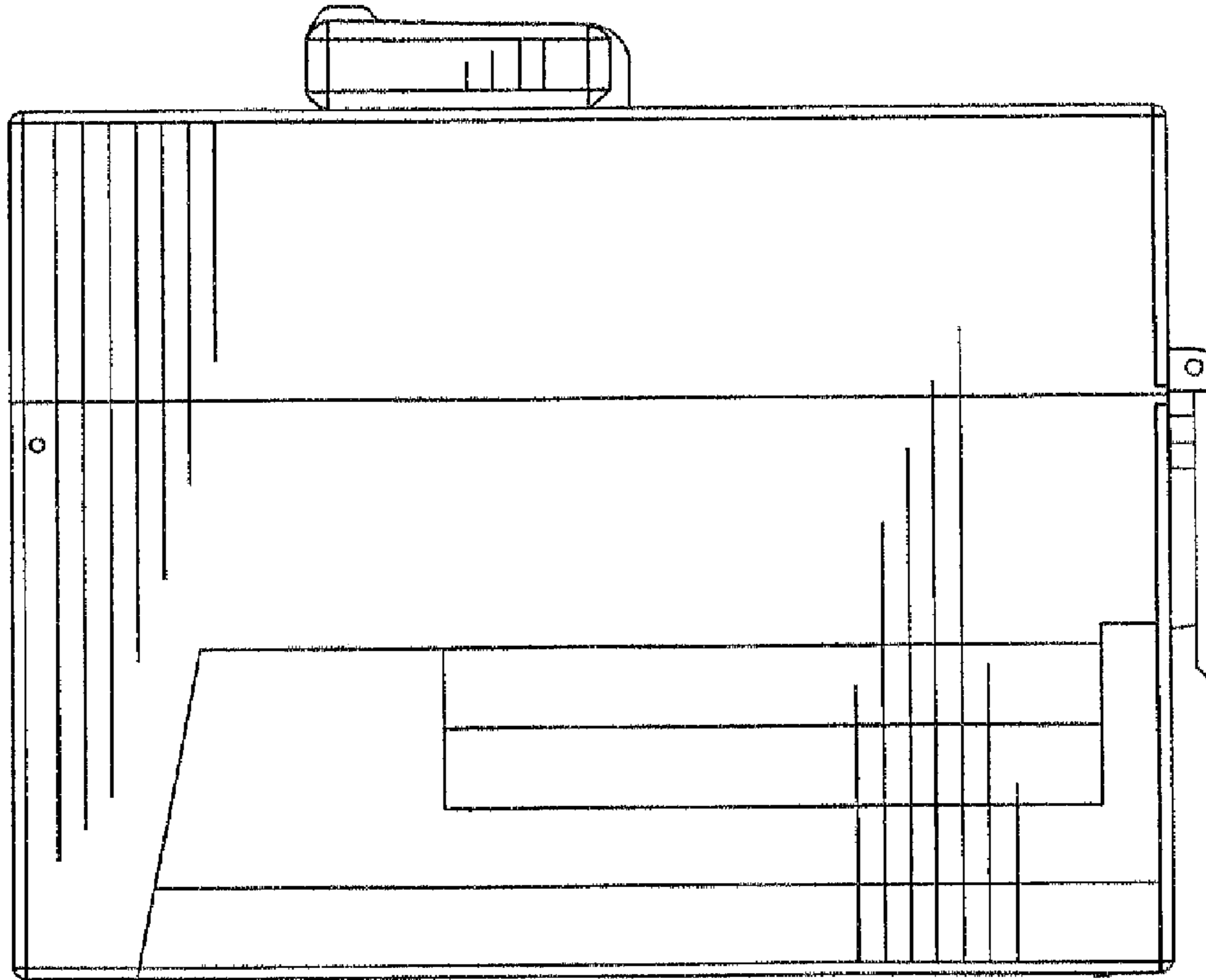


FIG.4

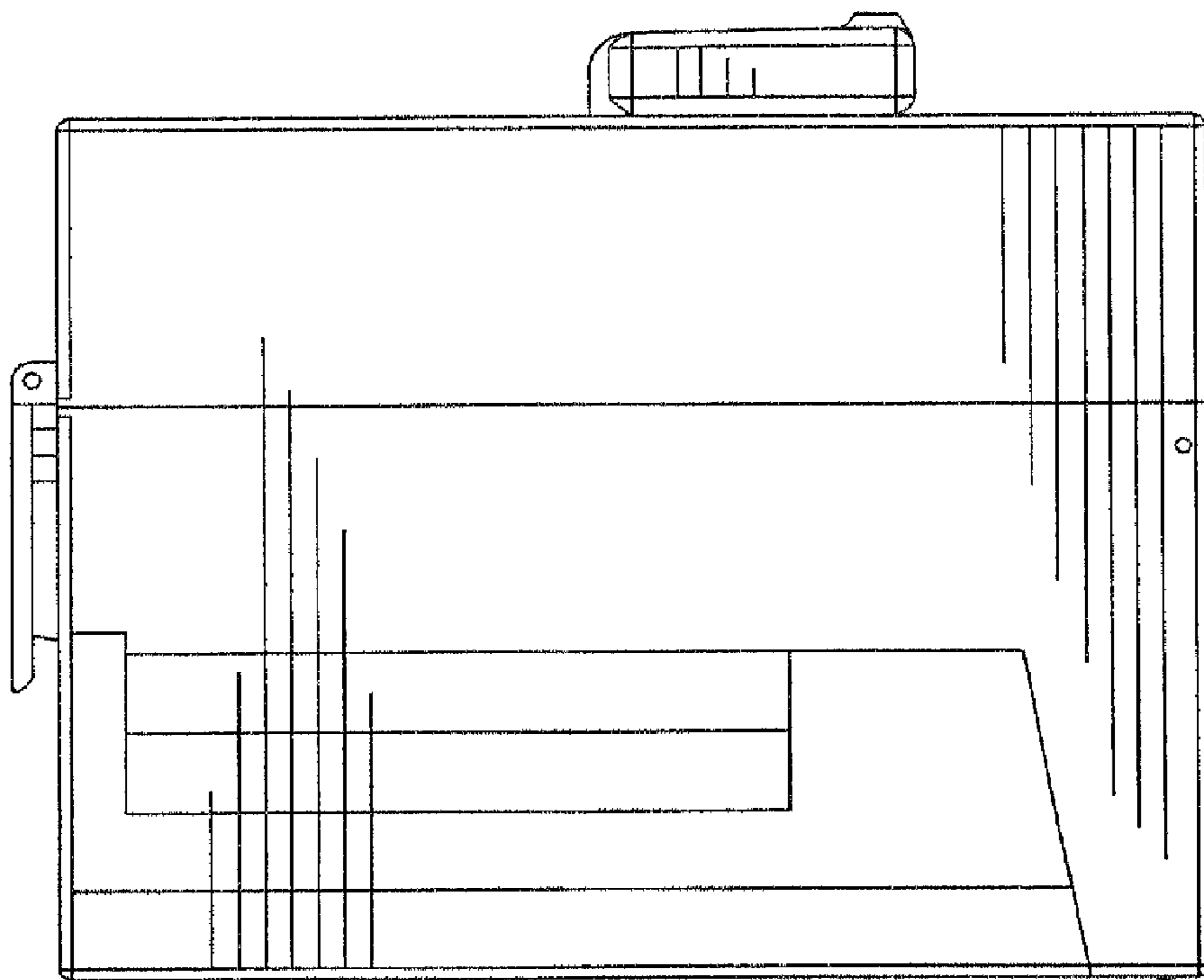


FIG.5

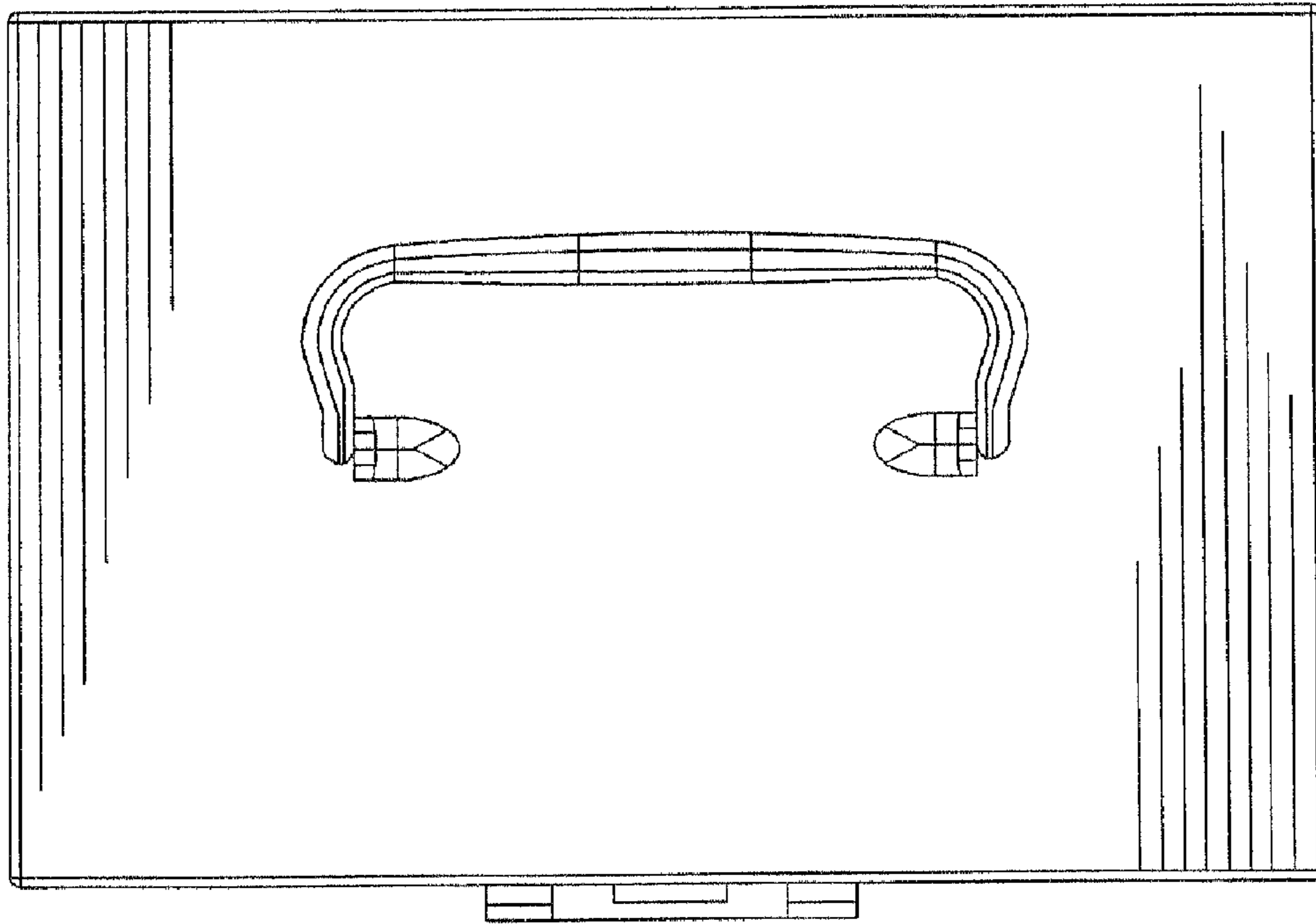


FIG.6

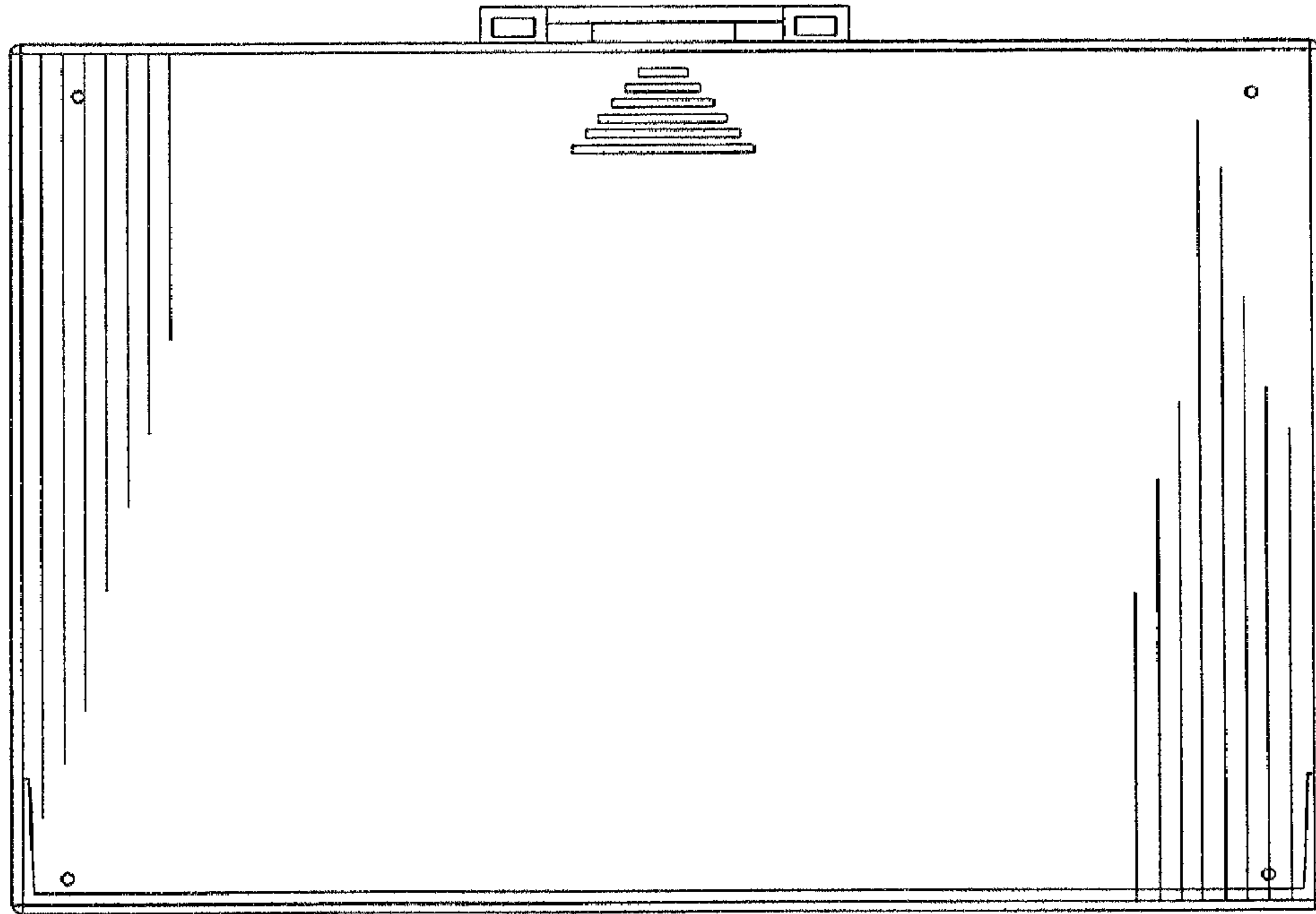


FIG. 7

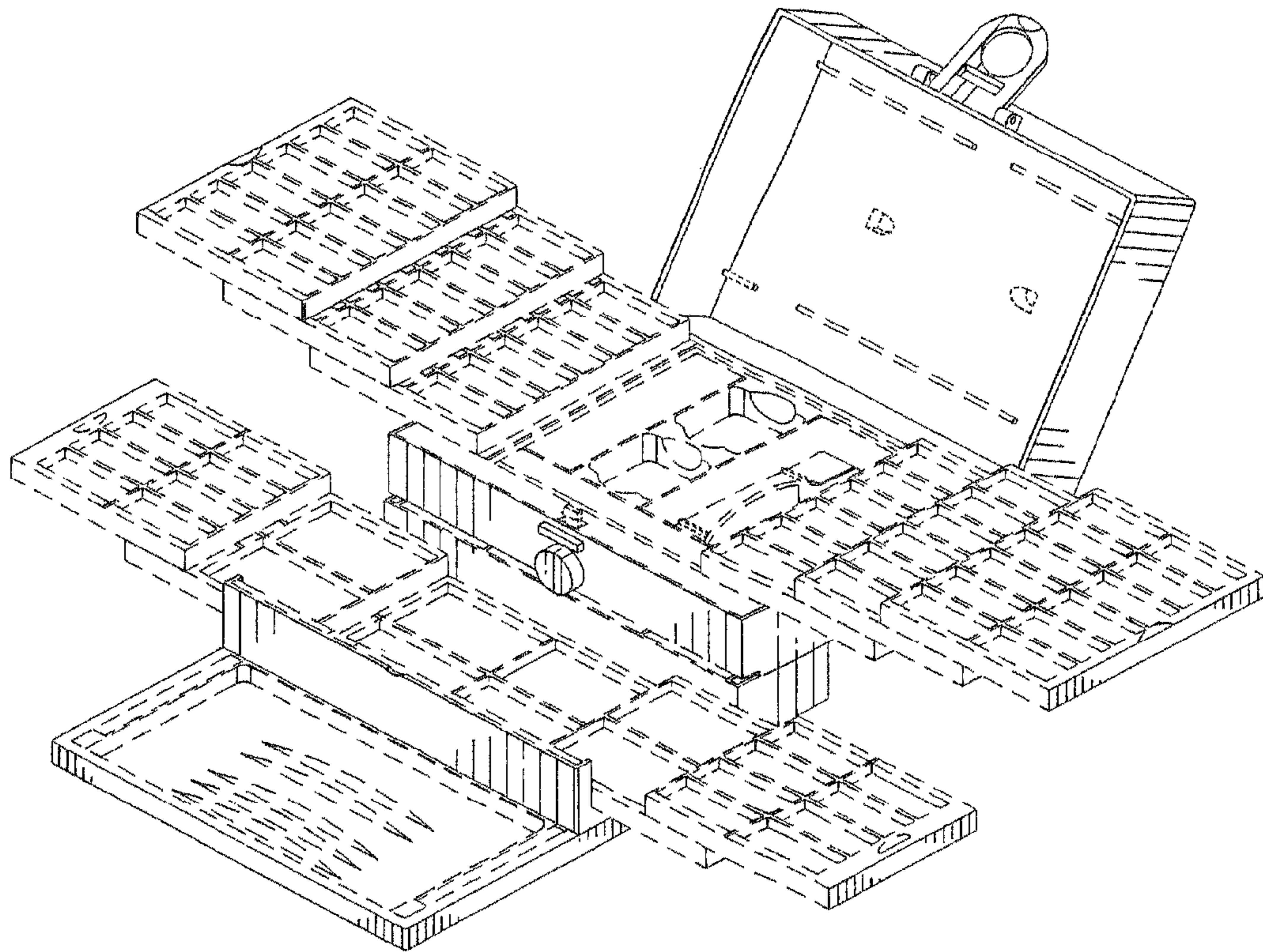


FIG.8