



US00D657913S

(12) **United States Design Patent**
Rivera

(10) **Patent No.:** **US D657,913 S**

(45) **Date of Patent:** **** Apr. 17, 2012**

(54) **DISPOSABLE CLEANING PICK FOR BETWEEN TEETH**

(76) Inventor: **David C. Rivera**, Santa Fe, NM (US)

(**) Term: **14 Years**

(21) Appl. No.: **29/398,945**

(22) Filed: **Aug. 8, 2011**

(51) **LOC (9) Cl.** **28-03**

(52) **U.S. Cl.** **D28/65**

(58) **Field of Classification Search** D28/31,
D28/56, 65-68, 73; D24/152; 433/141,
433/146-147; 132/322-329

See application file for complete search history.

(56) **References Cited**

U.S. PATENT DOCUMENTS

2,896,639	A	7/1959	Fleming	
3,247,857	A	4/1966	Kanbar	
4,493,978	A *	1/1985	Starnes	219/438
4,646,766	A	3/1987	Stallard	
D367,545	S *	2/1996	Burke	D28/65
5,560,379	A	10/1996	Pieczenik	
5,868,430	A *	2/1999	Kolosvary	283/80
6,044,848	A *	4/2000	Huang	132/321

D475,917	S	6/2003	Grant	
D480,754	S *	10/2003	Berger	D19/1
D483,405	S *	12/2003	Bratter et al.	D19/2
D485,907	S	1/2004	Bosma et al.	
D496,131	S *	9/2004	Winkler et al.	D28/65
D524,152	S *	7/2006	Recchia	D9/415
D613,451	S *	4/2010	Welsh	D28/4

* cited by examiner

Primary Examiner — Zenia Bennett

(74) *Attorney, Agent, or Firm* — Montgomery Patent & Design, LLC; Robert C. Montgomery; Joseph T. Yaksich

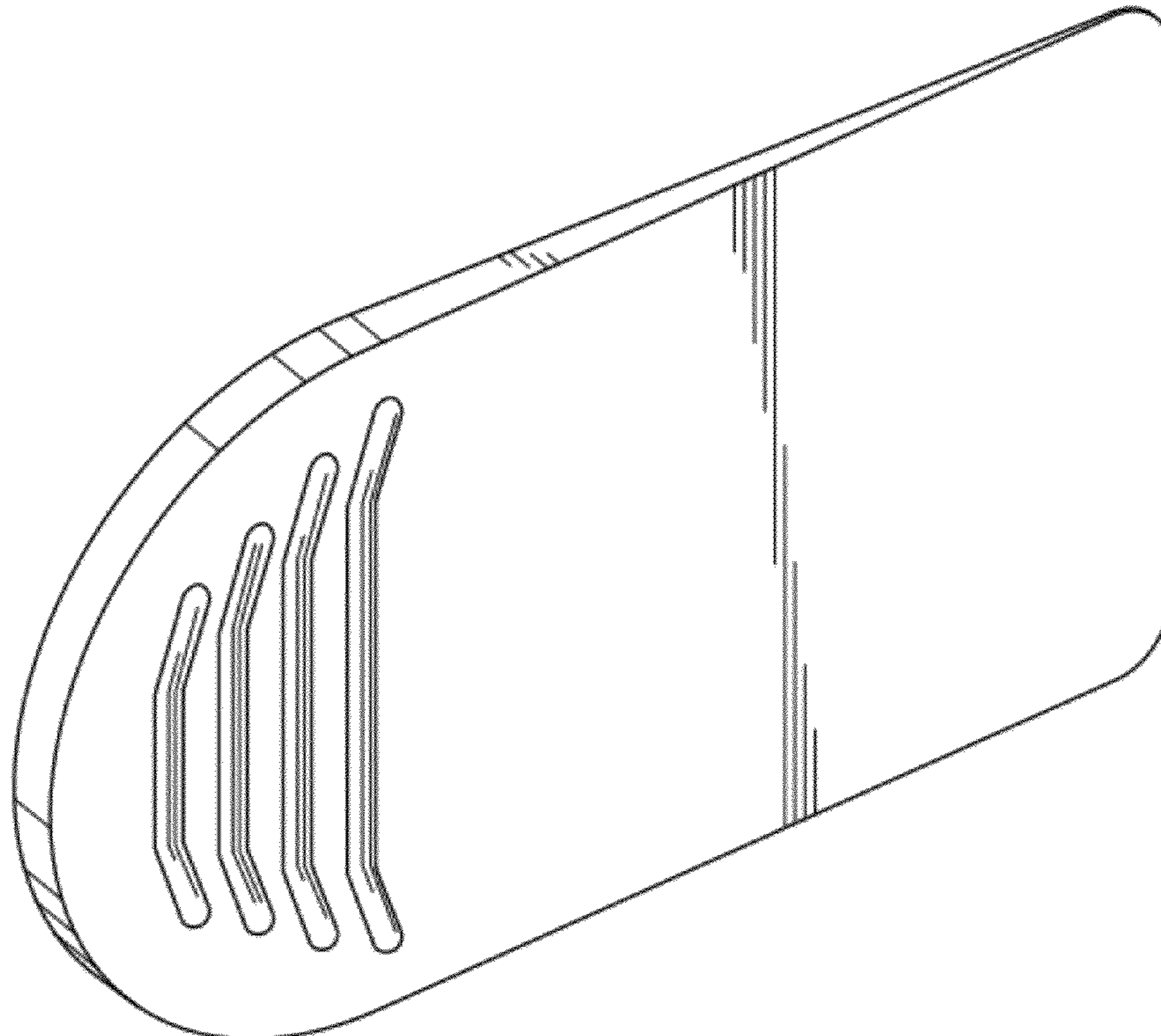
(57) **CLAIM**

The ornamental design for a disposable cleaning pick for between teeth.

DESCRIPTION

FIG. 1 is a rear perspective view of a disposable cleaning pick for between teeth, showing my new design;
FIG. 2 is a rear view thereof;
FIG. 3 is a front view thereof;
FIG. 4 is a left side view thereof with a right side view being a mirror image; and,
FIG. 5 is a top view thereof with a bottom view being a mirror image.

1 Claim, 4 Drawing Sheets



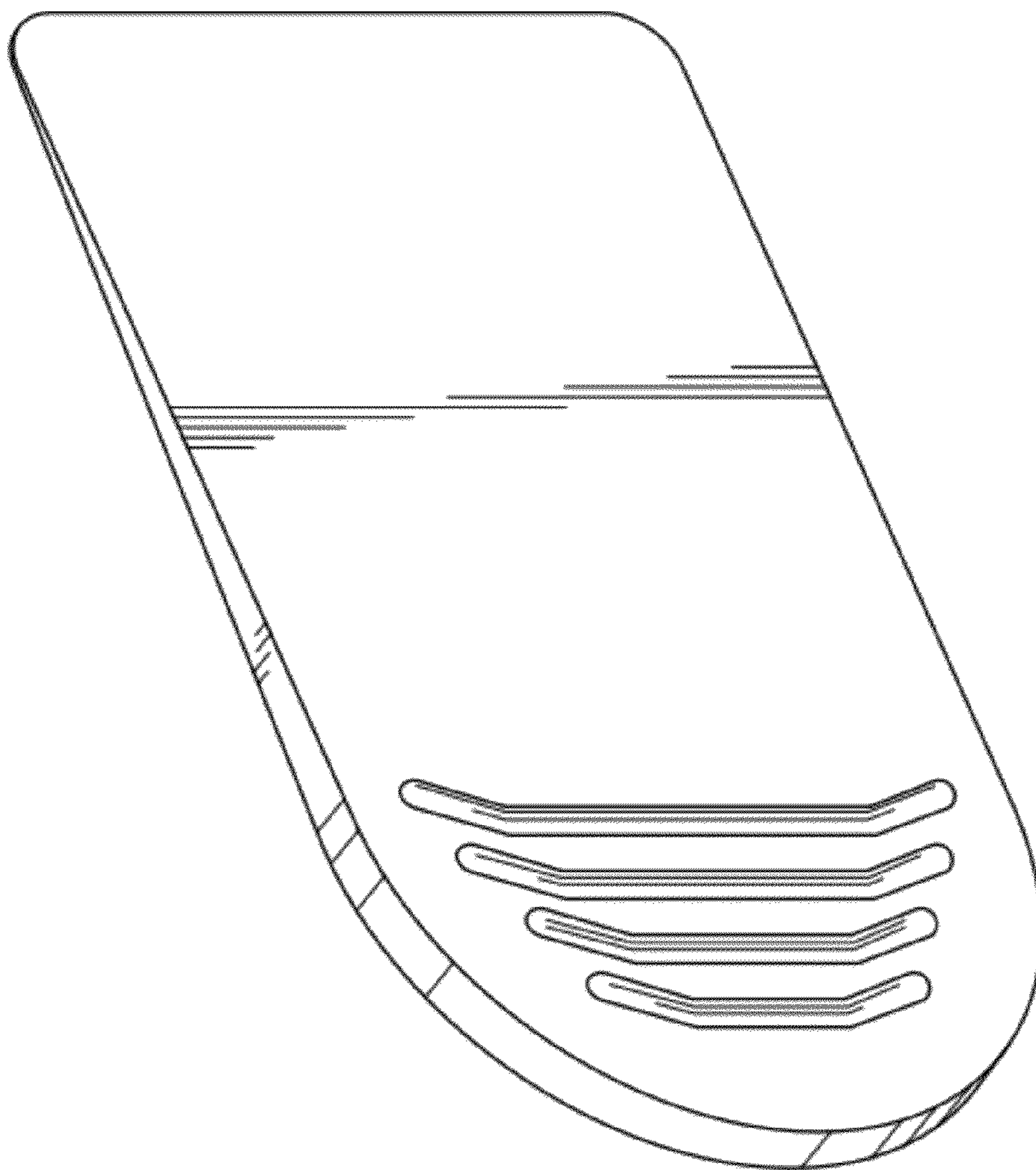


Fig. 1

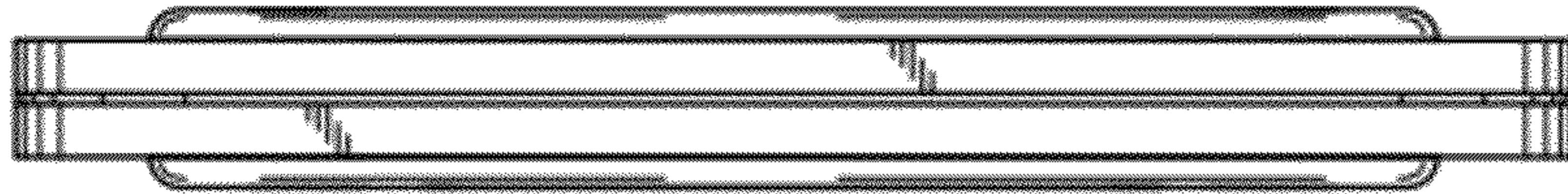


Fig. 3



Fig. 2

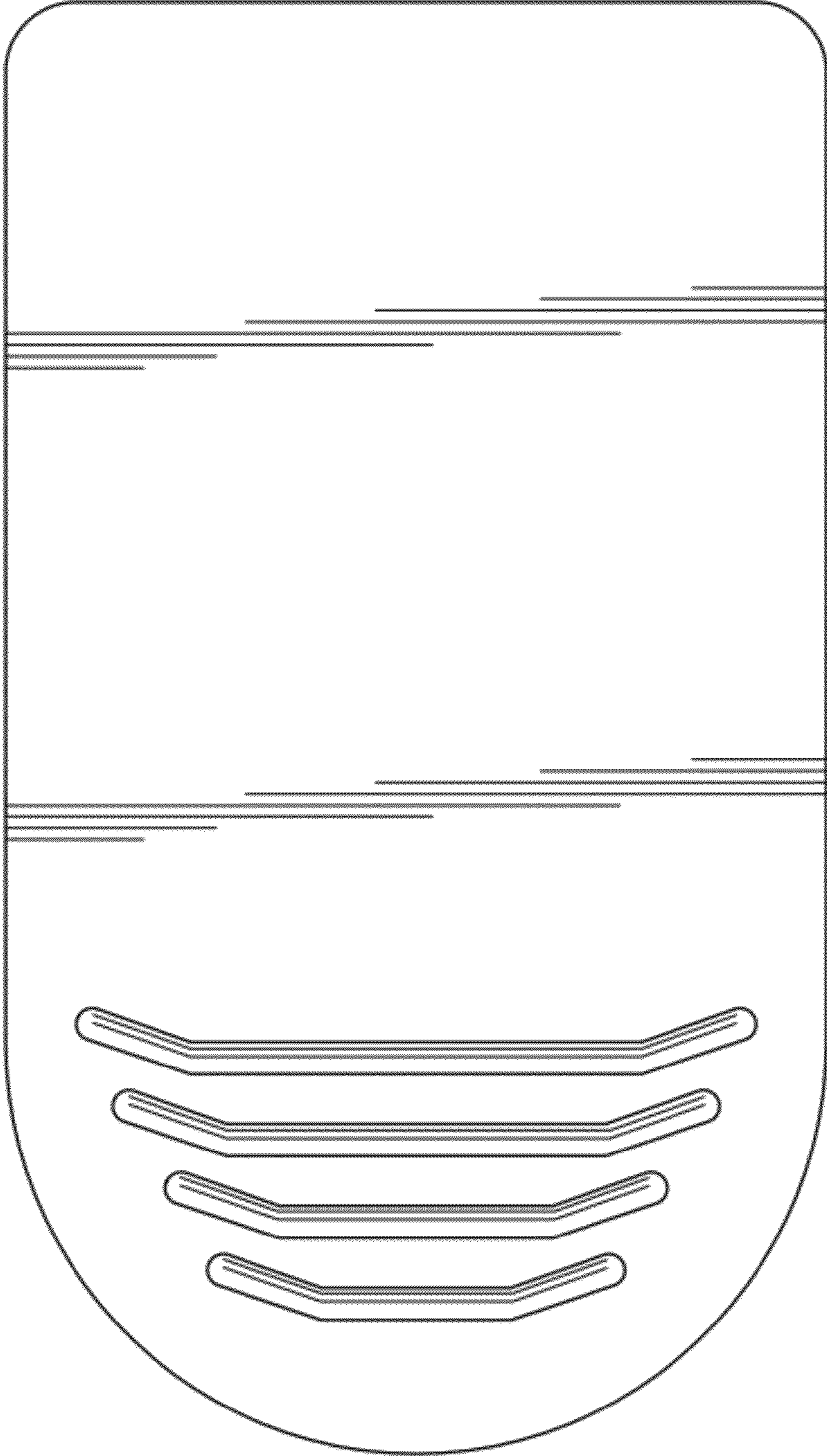


Fig. 4

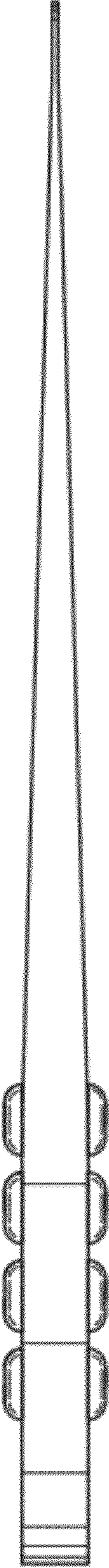


Fig. 5