



US00D657911S

(12) **United States Design Patent**
Cirillo

(10) **Patent No.:** **US D657,911 S**

(45) **Date of Patent:** **** Apr. 17, 2012**

(54) **HAIR BEAD RETAINER**

(76) Inventor: **Maureen Cirillo**, Winthrop, MA (US)

(**) Term: **14 Years**

(21) Appl. No.: **29/387,126**

(22) Filed: **Mar. 9, 2011**

(51) **LOC (9) Cl.** **28-03**

(52) **U.S. Cl.** **D28/42**

(58) **Field of Classification Search** D28/21-34,
D28/39-43; 132/101, 126, 128-131, 144,
132/148, 219, 275-284

See application file for complete search history.

(56) **References Cited**

U.S. PATENT DOCUMENTS

3,190,086	A *	6/1965	Klein	66/193
4,011,639	A *	3/1977	Koleske	24/561
D246,293	S *	11/1977	Doughty	D11/4
5,388,598	A *	2/1995	Whitten	132/275
5,771,908	A *	6/1998	Dorsey	132/275
5,881,736	A *	3/1999	Turner et al.	132/200
5,946,728	A *	9/1999	Tane	2/171
6,305,386	B1 *	10/2001	Wochadlo	132/275
6,314,969	B1 *	11/2001	Lacause	132/275

6,523,549	B1 *	2/2003	Frame et al.	132/275
6,581,611	B2 *	6/2003	Sartena	132/275
2008/0072923	A1 *	3/2008	Tropeano	132/275

* cited by examiner

Primary Examiner — Zenia Bennett

(74) *Attorney, Agent, or Firm* — Lambert & Associates;
Gary E. Lambert; David J. Connaughton, Jr.

(57) **CLAIM**

The ornamental design for a hair bead retainer, as shown and described.

DESCRIPTION

FIG. 1 is a front elevation view of the hair bead retainer, which embodies my design;

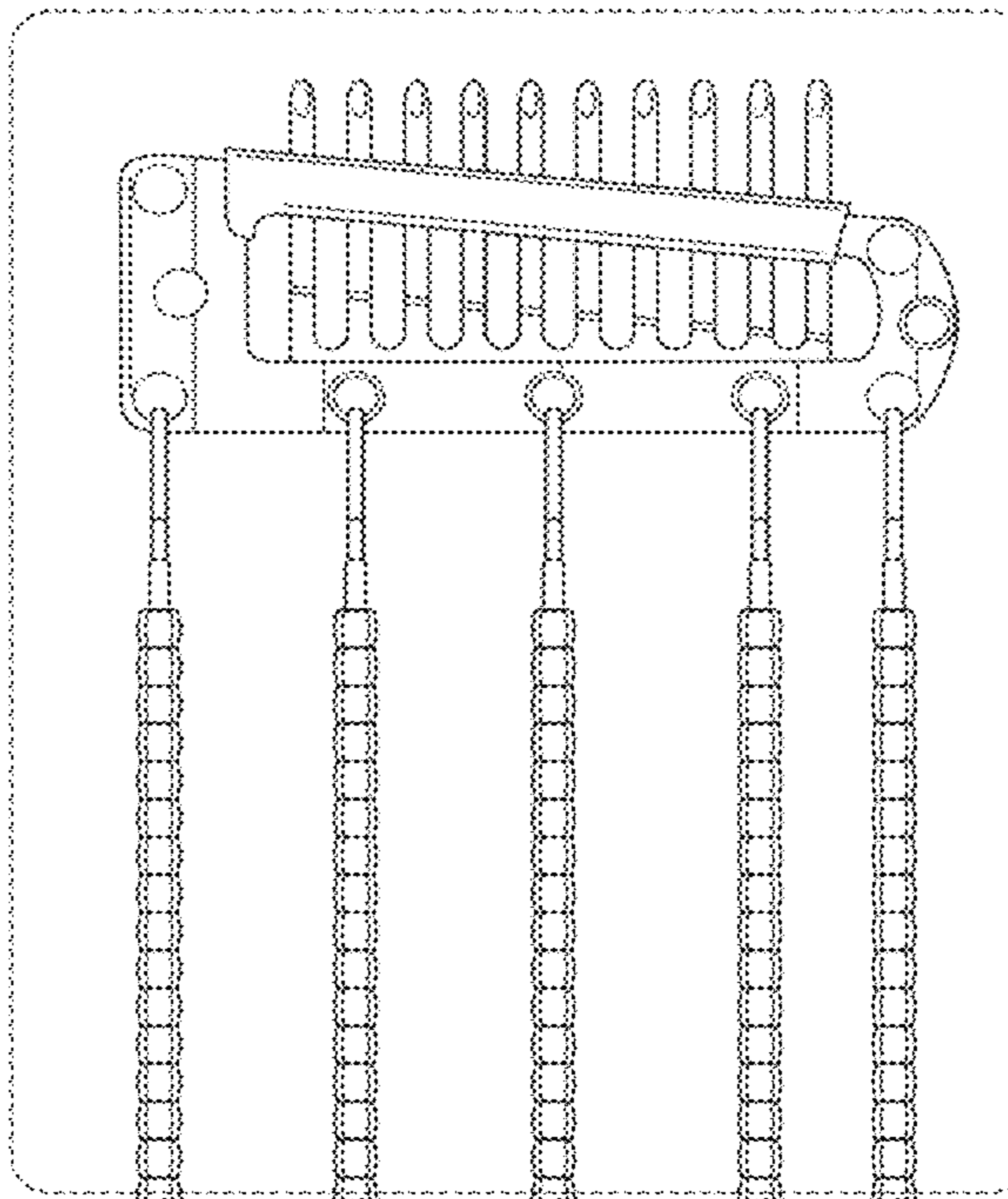
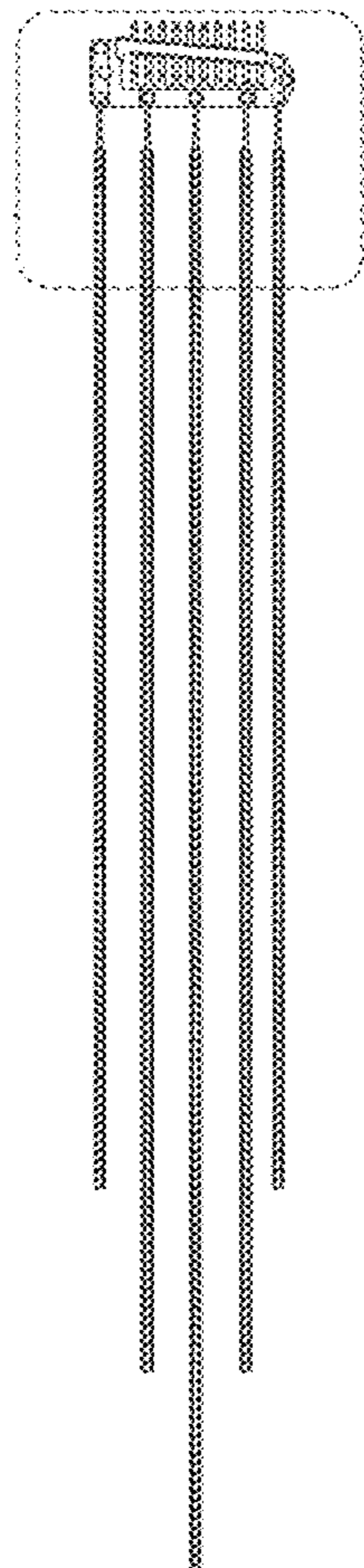
FIG. 2 is an enlarged front view of a portion of the hair bead retainer;

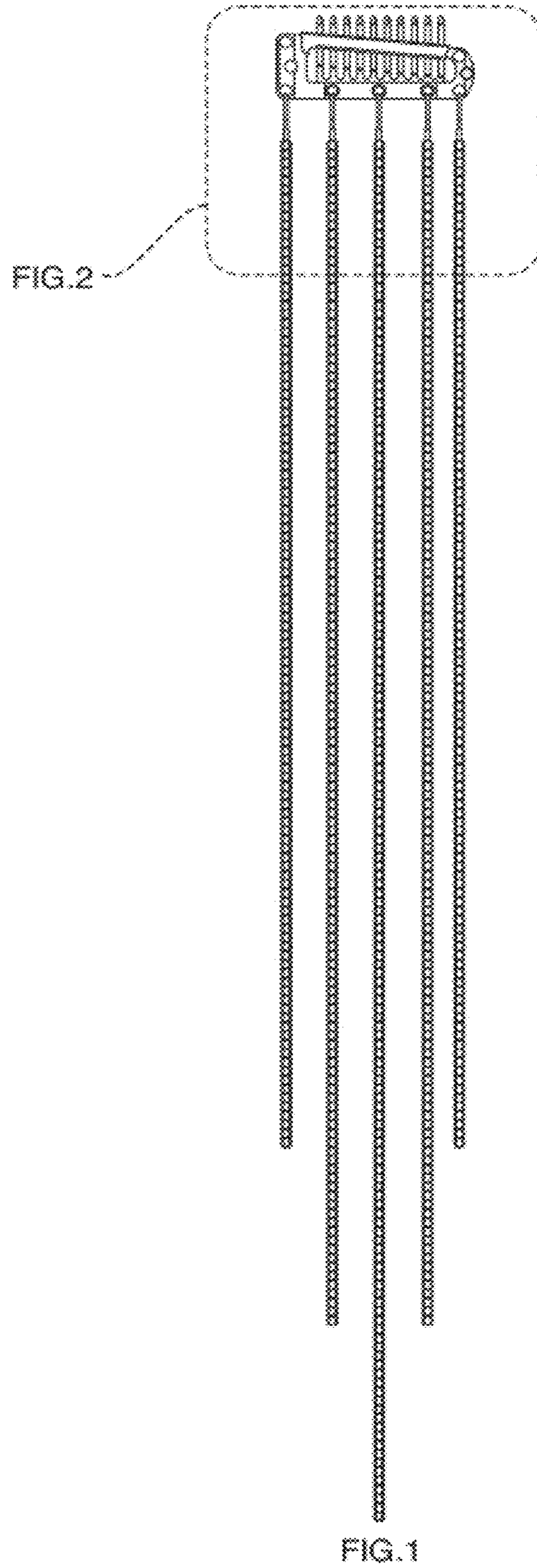
FIG. 3 is an enlarged rear view of a portion of the hair bead retainer;

FIG. 4 is an enlarged right side view of a portion of the hair bead retainer; and,

FIG. 5 is an enlarged left side view of a portion of the hair bead retainer.

1 Claim, 4 Drawing Sheets





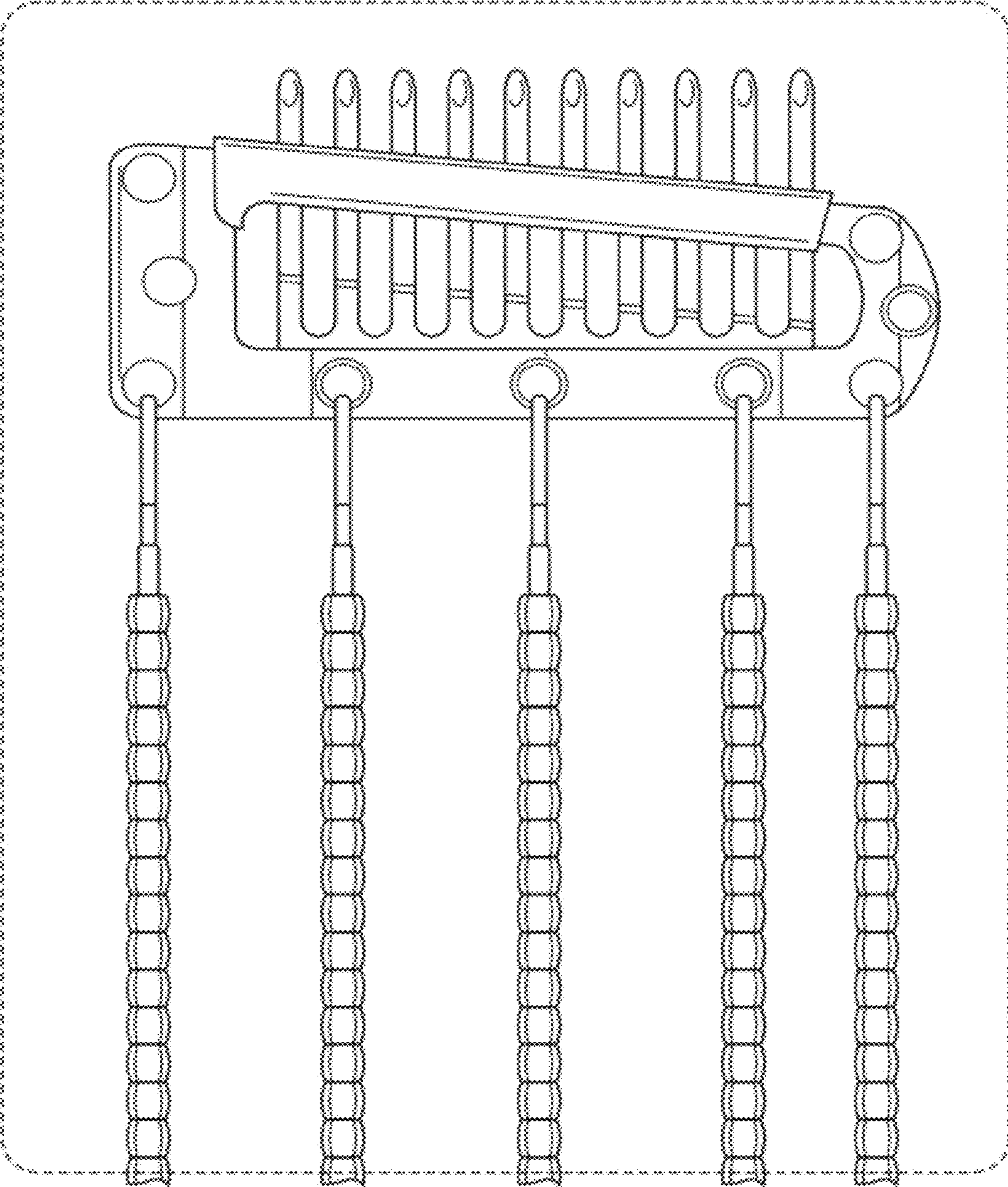


FIG. 2

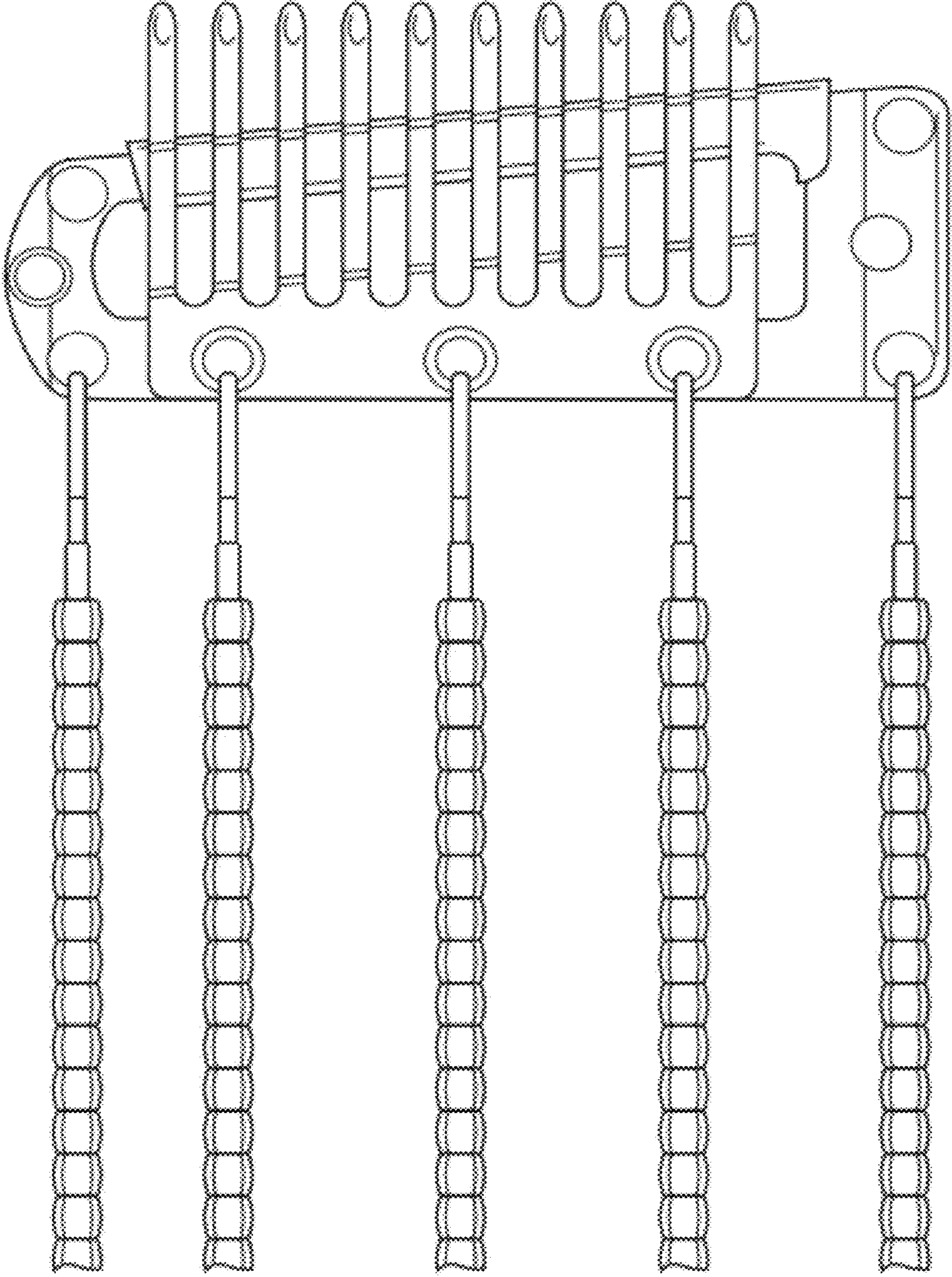


FIG. 3

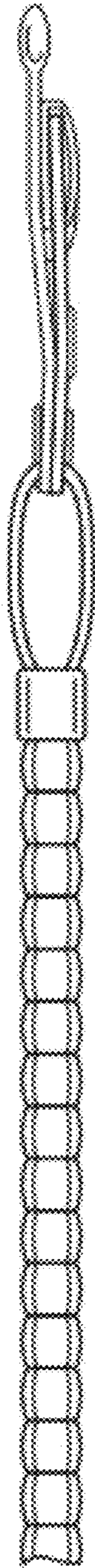


FIG. 4

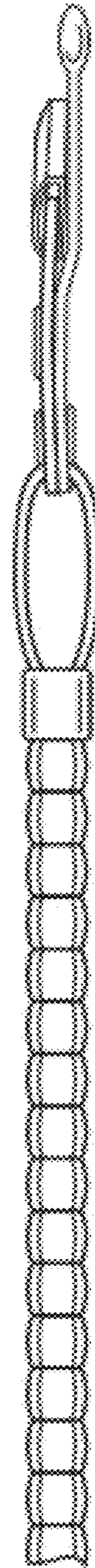


FIG. 5