



US00D657909S

(12) **United States Design Patent**  
**Parish et al.**

(10) **Patent No.:** **US D657,909 S**  
(45) **Date of Patent:** **\*\* Apr. 17, 2012**

(54) **CIGARETTE HOLDING AND SNUFFING  
DEVICE**

(75) Inventors: **Edwin A. Parish**, Wichita, KS (US);  
**Troy R. Thompson**, Wichita, KS (US)

(73) Assignee: **Fairway Innovations, LLC**, Wichita,  
KS (US)

(\*\*) Term: **14 Years**

(21) Appl. No.: **29/392,611**

(22) Filed: **May 24, 2011**

(51) **LOC (9) Cl.** ..... **27-03**

(52) **U.S. Cl.** ..... **D27/136**

(58) **Field of Classification Search** ..... D27/101,  
D27/194, 163, 102, 103, 104, 105, 118, 133,  
D27/135, 126, 123, 124, 136, 125, 183, 188,  
D27/162, 164, 186, 189, 144, 175, 134, 115,  
D27/139, 154, 157, 141, 147, 153, 158, 155,  
D27/156, 143, 195, 173, 161, 152, 192; 131/180,  
131/330, 201, 231, 241, 242, 256, 173, 185,  
131/196, 199; 431/129-153, 253-257, 273-277;  
D12/199; 229/146; 206/268, 246, 85, 86,  
206/105, 106, 108, 137; D3/294, 304, 313,  
D3/320, 328; D34/1, 6, 7, 8; D11/143, 144,  
D11/145, 146, 154, 153, 149; D9/500, 505,  
D9/545, 522, 523, 542, 415, 548, 503; D7/300,  
D7/316, 523, 400, 416, 417; D6/515, 553,  
D6/567

See application file for complete search history.

(56) **References Cited**

**U.S. PATENT DOCUMENTS**

D76,302 S 9/1928 Hubbard  
1,740,826 A 12/1929 Mattson

D83,926 S 4/1931 Seidle  
2,268,149 A 12/1941 Hinkle  
D175,199 S 7/1955 Terney  
2,919,096 A 12/1959 Cohen  
2,963,027 A 12/1960 Hercules  
D207,824 S \* 5/1967 Ostrand et al. .... D27/120  
3,853,263 A \* 12/1974 Otsuka ..... 232/43.1  
4,101,024 A 7/1978 Furuya et al.  
D302,050 S \* 7/1989 Ingrisani ..... D27/104

(Continued)

*Primary Examiner* — Kevin Rudzinski

(57) **CLAIM**

The ornamental for a cigarette holding and snuffing device, as shown and described.

**DESCRIPTION**

FIG. 1 is a perspective view of the cigarette holding and snuffing device of the present invention showing our new design.

FIG. 2 is a front view of the cigarette holding and snuffing device of the present invention showing our new design.

FIG. 3 is a back view of the cigarette holding and snuffing device of the present invention showing our new design.

FIG. 4 is a right side view of the cigarette holding and snuffing device of the present invention showing our new design.

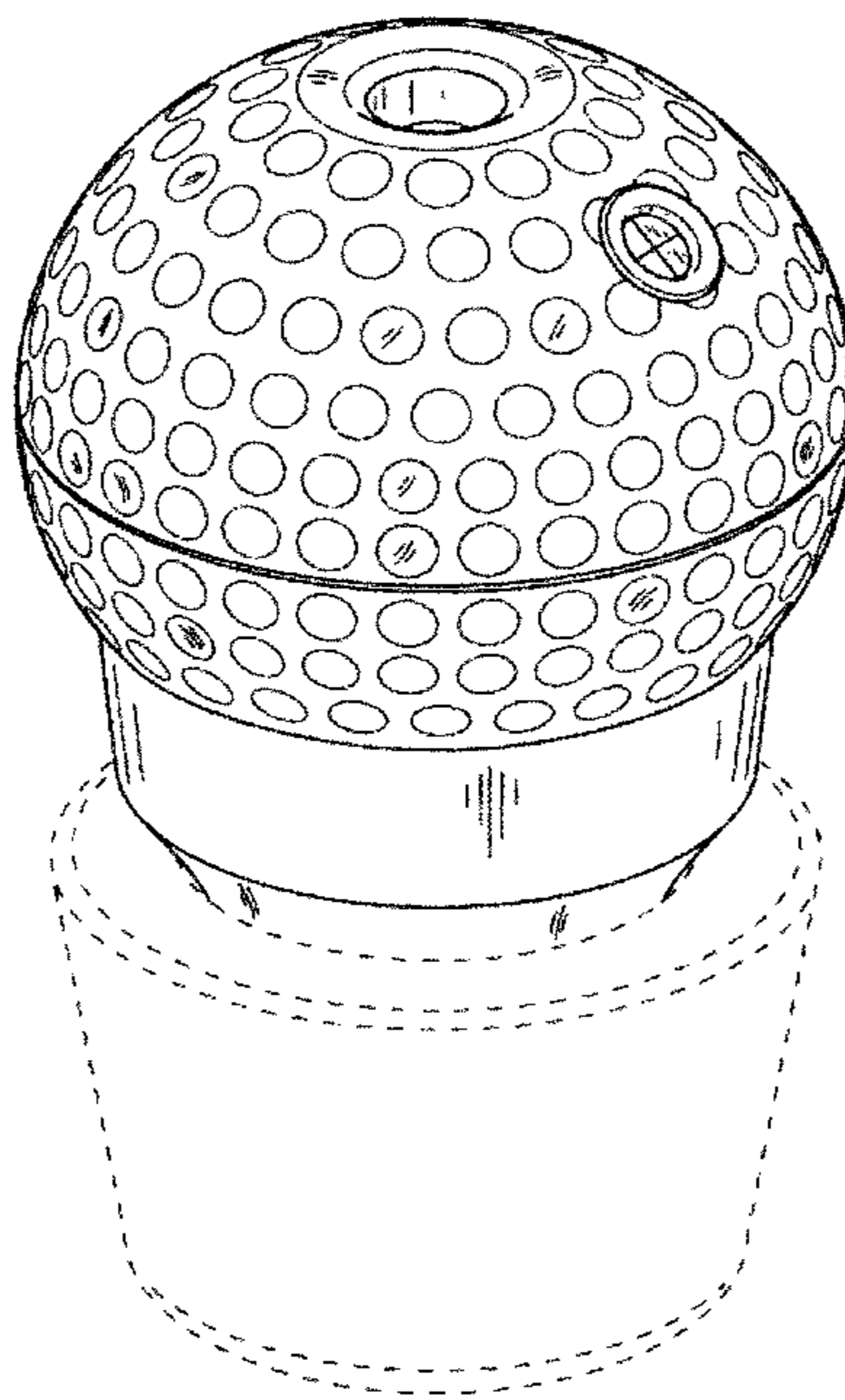
FIG. 5 is a left side view of the cigarette holding and snuffing device of the present invention showing our new design.

FIG. 6 is a top view of the cigarette holding and snuffing device of the present invention showing our new design; and,

FIG. 7 is a bottom view of the cigarette holding and snuffing device of the present invention showing our new design.

The broken lines shown in FIGS. 1-7 illustrate environmental structure and form no part of the claimed design. The dash-dot-dash lines shown in FIG. 6 indicate the bounds of the claimed design and form no part of the claimed design.

**1 Claim, 6 Drawing Sheets**



# US D657,909 S

Page 2

---

## U.S. PATENT DOCUMENTS

5,361,785	A	11/1994	Wu	
D355,995	S *	3/1995	Stoddard et al.	D6/450
D360,109	S *	7/1995	Blankenburg et al.	D7/515
D370,829	S *	6/1996	Neale	D7/515
D380,862	S *	7/1997	Hasselgren et al.	D27/192
D395,731	S *	6/1998	Olis	D27/192
D405,224	S *	2/1999	Falconio	D27/183
D421,167	S *	2/2000	Bacon et al.	D34/1
D425,706	S *	5/2000	Calderone	D4/116
6,234,179	B1	5/2001	Alcaraz	
D448,282	S *	9/2001	O'Hair	D9/668
D467,685	S *	12/2002	Nista et al.	D27/183
6,530,510	B2	3/2003	Ferrari	
D560,510	S *	1/2008	Lepoitevin	D9/668
D604,562	S *	11/2009	Lopez	D7/515
D612,536	S *	3/2010	Panozzo et al.	D27/120
7,766,168	B2	8/2010	Thrapp et al.	
D636,682	S *	4/2011	Gilliard, II	D9/668
2001/0013350	A1	8/2001	Cho	

\* cited by examiner

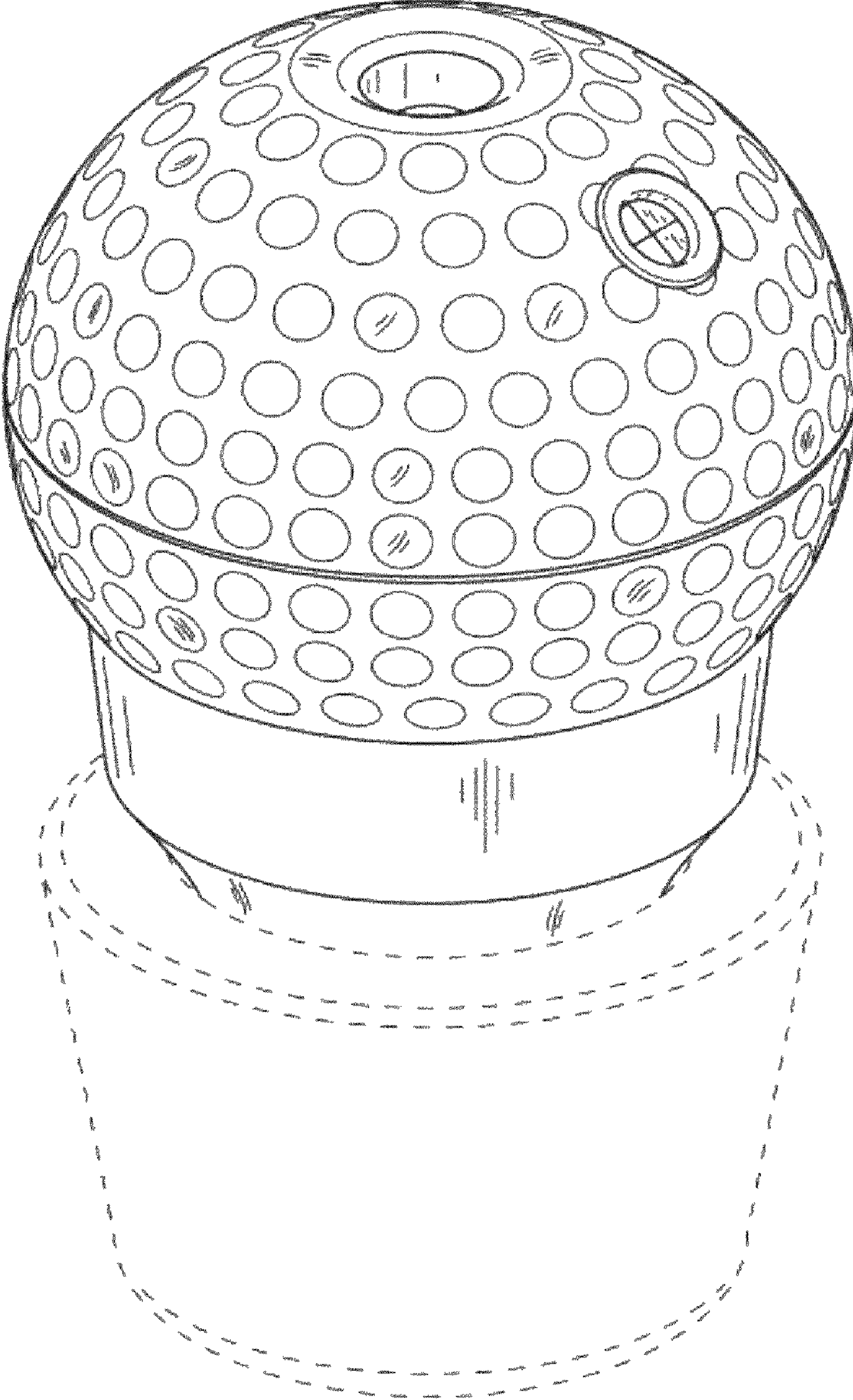


FIG. 1

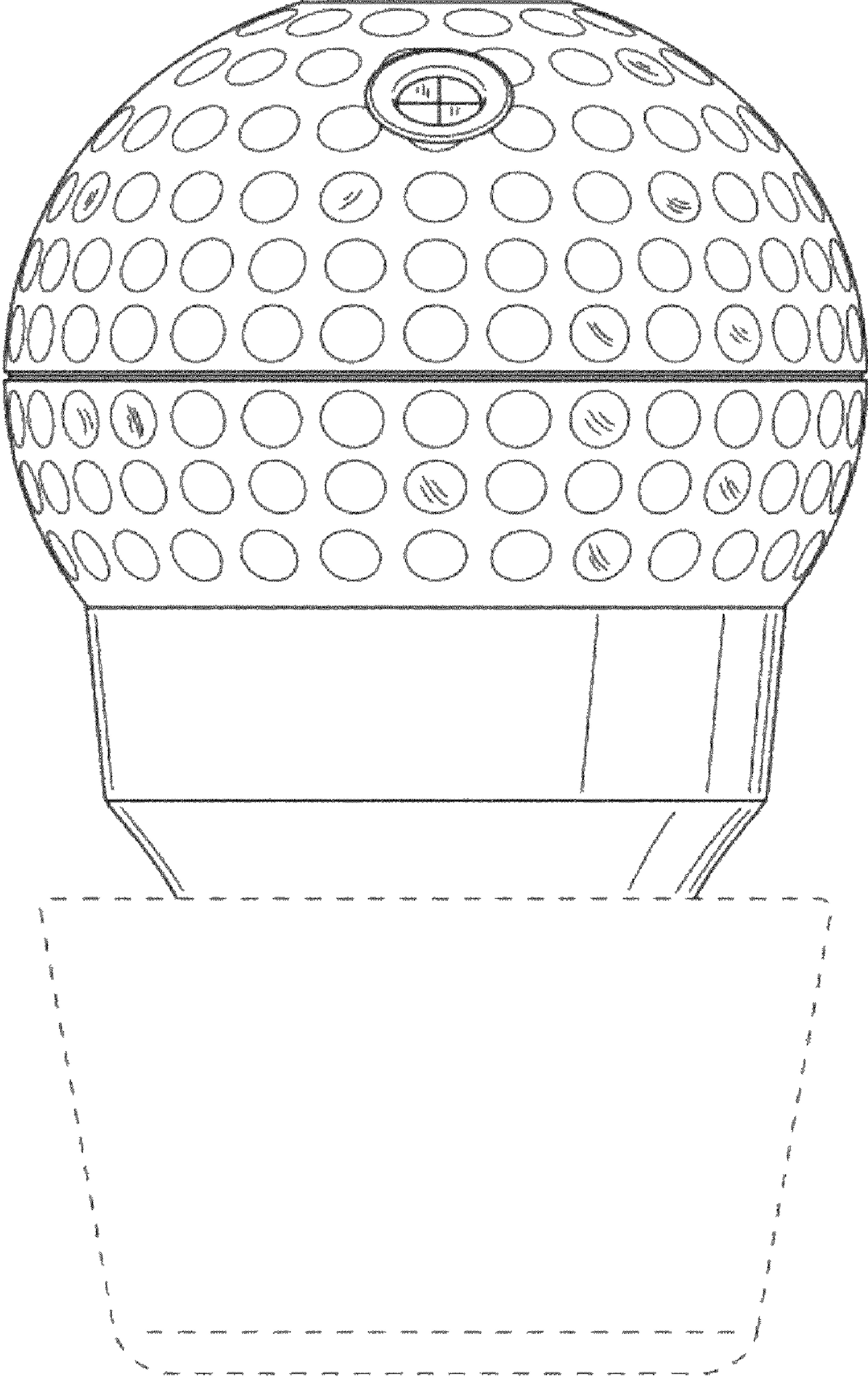


FIG.2

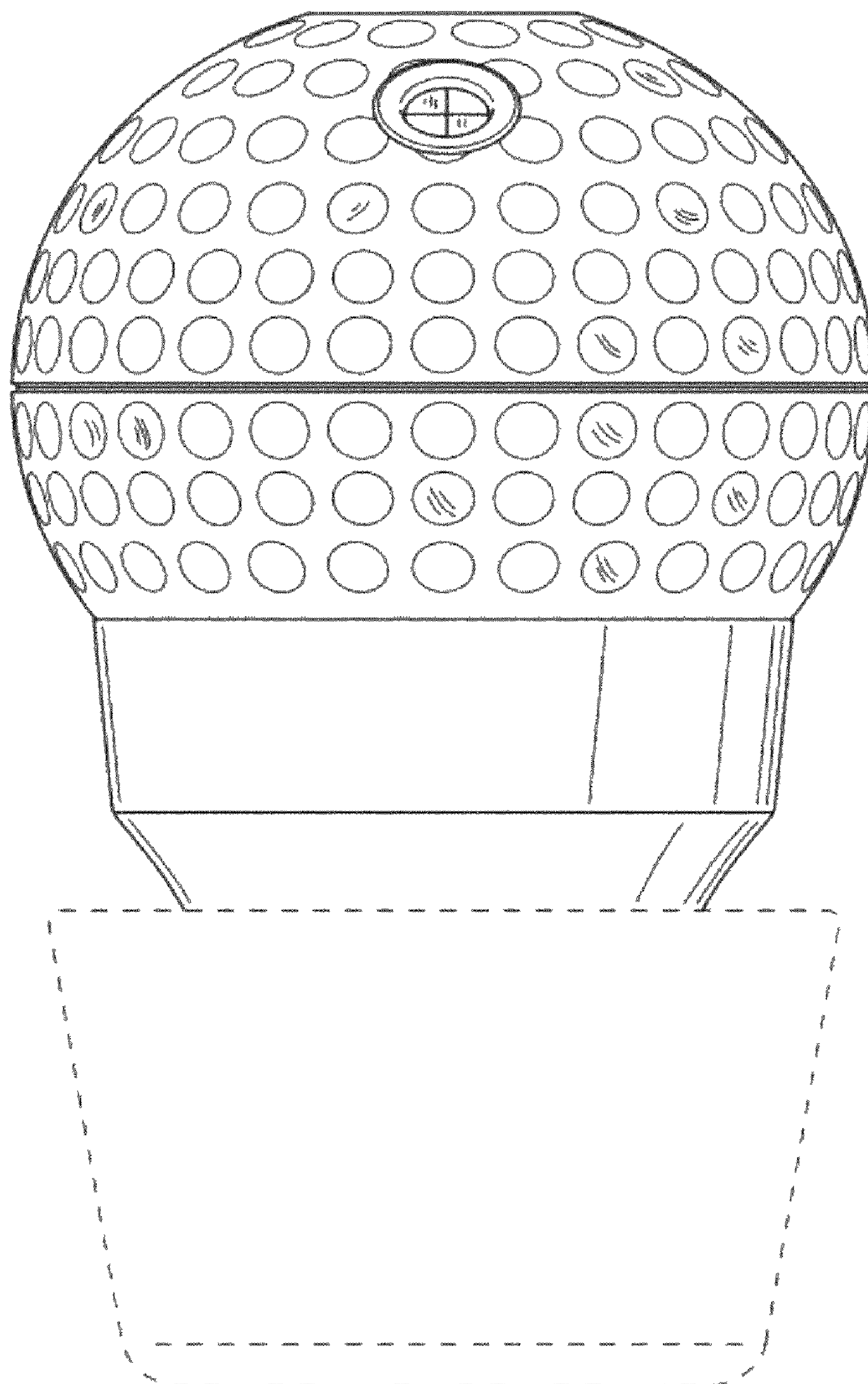


FIG. 3

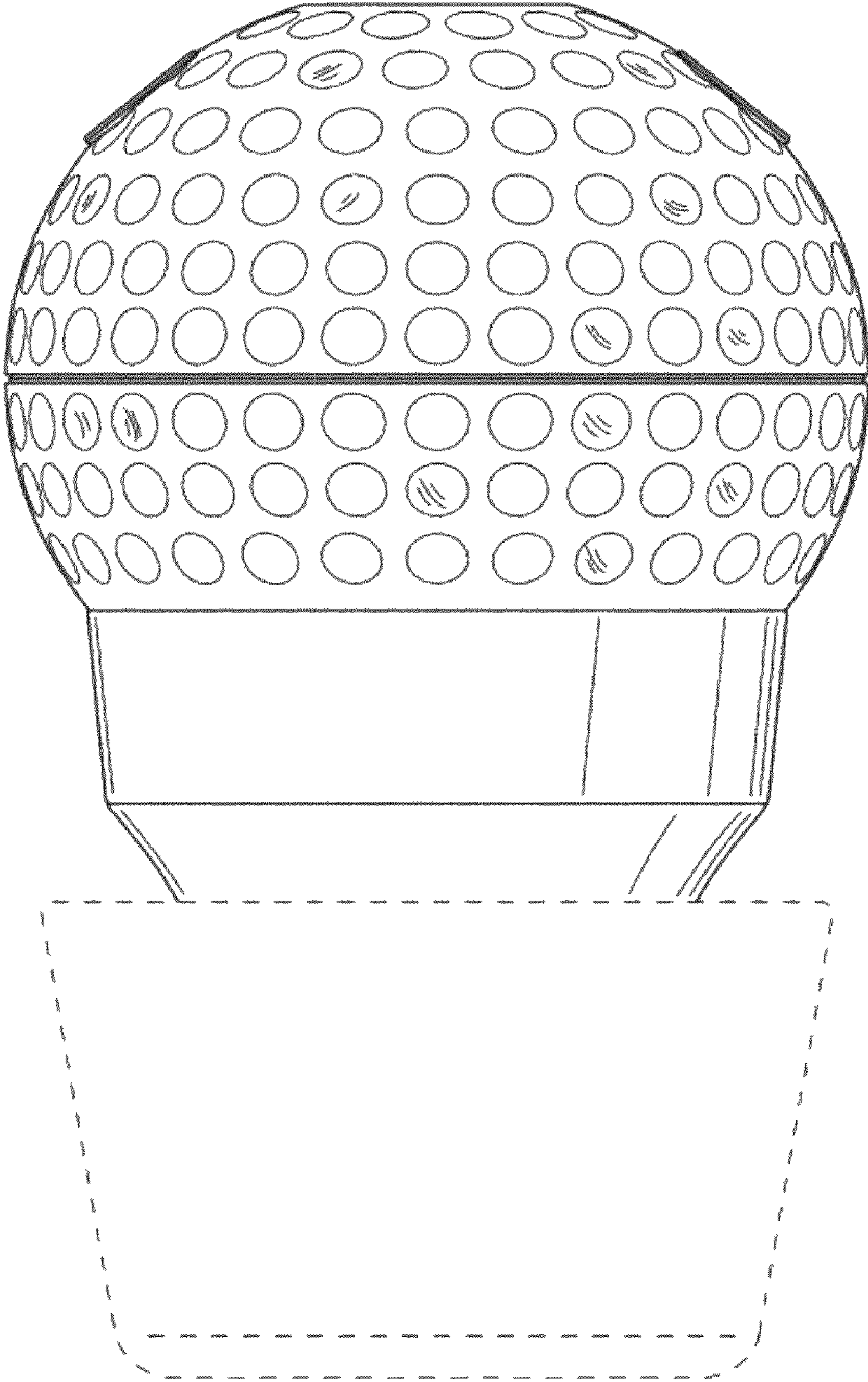


FIG.4

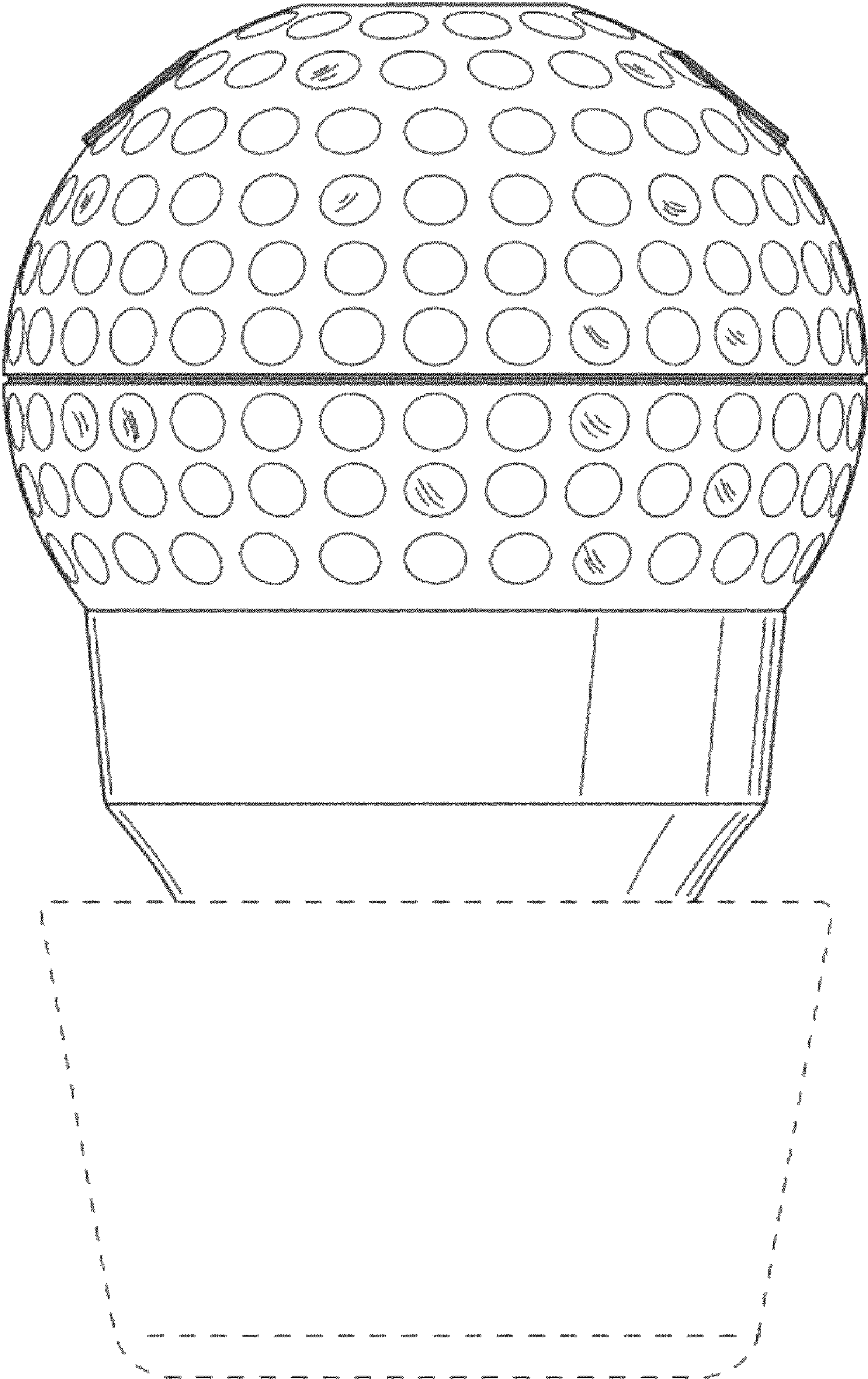


FIG.5

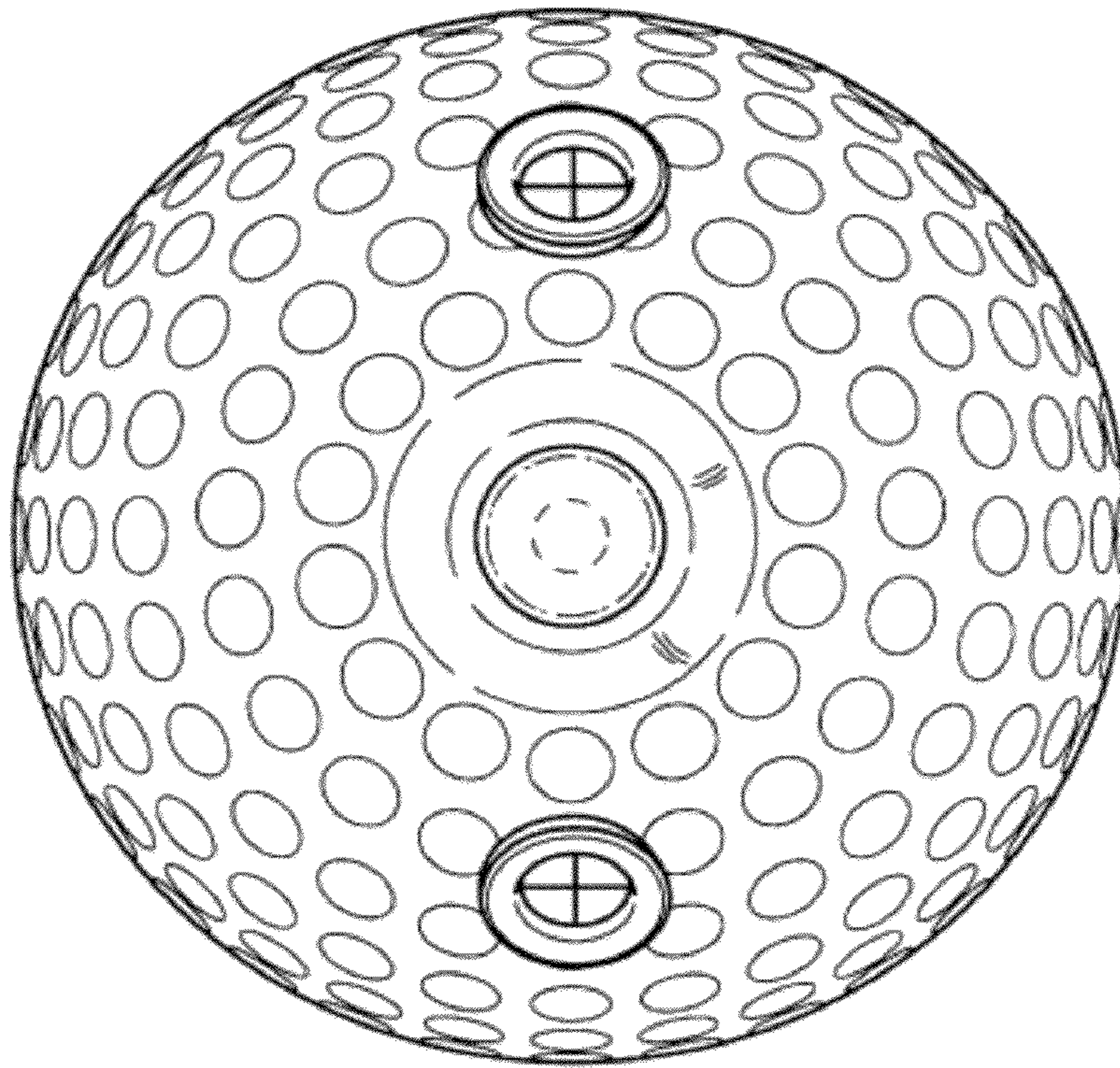


FIG. 6

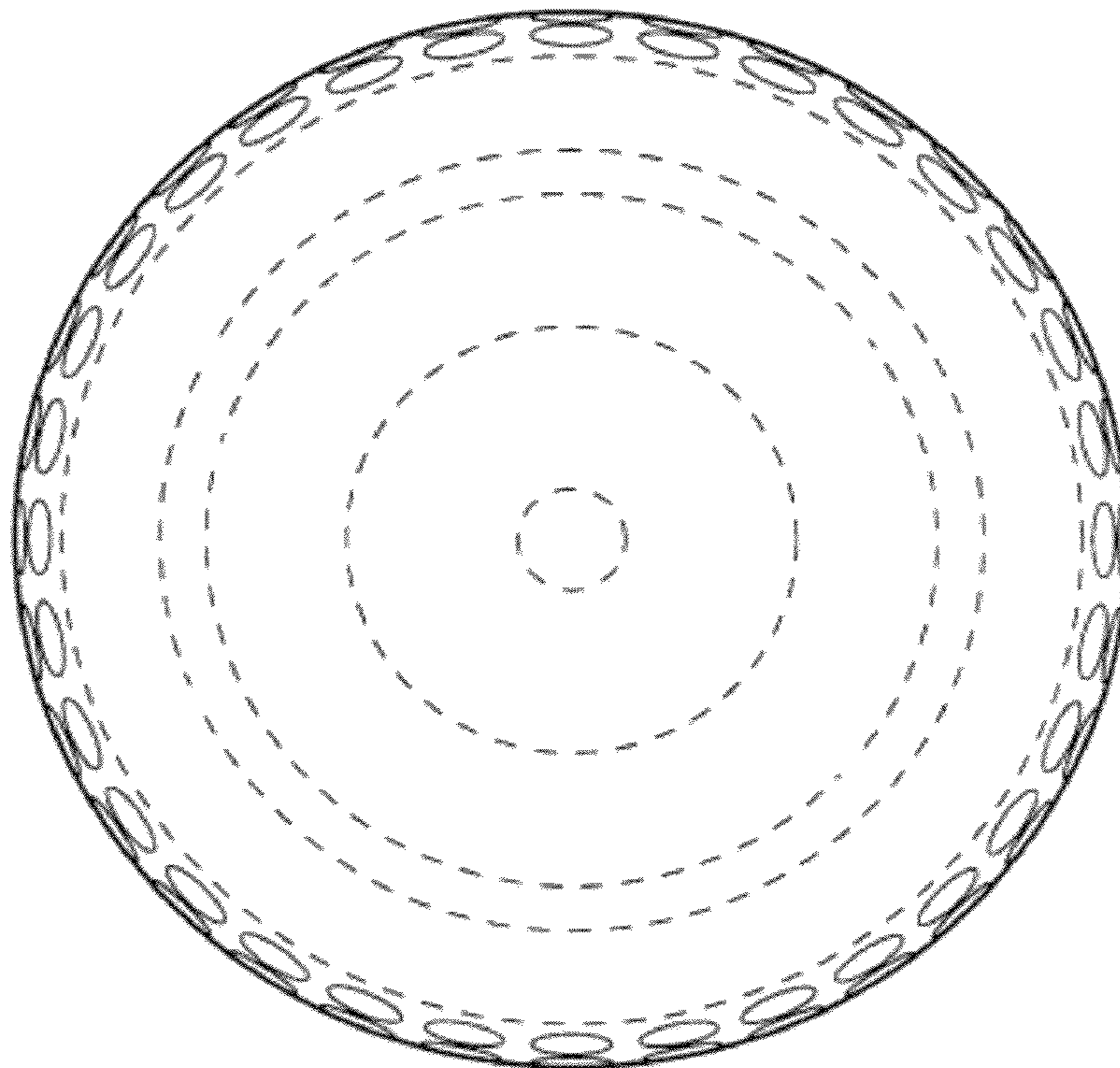


FIG. 7