

US00D657908S

(12) **United States Design Patent**
Blincoe et al.

(10) **Patent No.:** **US D657,908 S**
(45) **Date of Patent:** **** Apr. 17, 2012**

(54) **LIGHTING FIXTURE**

(75) Inventors: **Patrick Stephen Blincoe**, Kirkville, NY (US); **Clifford Randy Helmer**, Fulton, NY (US); **Andrew Adams Litteer**, Clay, NY (US)

(73) Assignee: **Cooper Technologies Company**, Houston, TX (US)

(**) Term: **14 Years**

(21) Appl. No.: **29/396,321**

(22) Filed: **Jun. 28, 2011**

Related U.S. Application Data

(62) Division of application No. 29/358,164, filed on Mar. 23, 2010, now Pat. No. Des. 642,732.

(51) **LOC (9) Cl.** **26-99**

(52) **U.S. Cl.** **D26/152**

(58) **Field of Classification Search** D26/72, D26/74, 113, 118, 85, 71, 63, 120, 122, 87, D26/86, 84, 73, 75, 119, 121, 123, 124, 125, D26/126, 127, 128, 129, 130, 131, 132, 134, D26/135, 136, 137, 138, 139, 140, 141, 142, D26/143, 144, 145, 146, 147, 151, 152, 153, D26/154, 155, 90, 91, 92, 93, 61, 62, 64, D26/65, 66, 67, 68, 69, 51, 59, 1, 2; 362/240, 362/147, 146, 600, 294, 276, 431, 545.3, 362/394, 355, 362, 413, 373; D11/121; 257/727, 257/713, 719, 717; 361/695, 700, 709; 165/121, 165/185, 80.3, 104.26

See application file for complete search history.

(56) **References Cited**

U.S. PATENT DOCUMENTS

2,432,513 A * 12/1947 Depew 313/44
2,883,591 A * 4/1959 Camp 257/715

3,023,264 A 2/1962 Allison
3,239,003 A 3/1966 Boudette et al.
D205,770 S 9/1966 Coe
3,372,733 A * 3/1968 Callender 165/80.3
D212,708 S 11/1968 Mayer
4,105,905 A 8/1978 Barcus
D250,124 S * 10/1978 Glaspie et al. D23/209
D267,005 S 11/1982 Dennis
4,715,438 A 12/1987 Gabuzda et al.
D297,671 S * 9/1988 Groh D26/63
4,841,422 A 6/1989 Groh
D303,437 S 9/1989 Mason
D307,461 S * 4/1990 Kim D23/209
D339,651 S 9/1993 Vieyra
5,375,652 A * 12/1994 Matsunaga et al. 165/80.3
5,397,919 A * 3/1995 Tata et al. 257/717
5,412,535 A * 5/1995 Chao et al. 361/700
5,690,424 A 11/1997 Warshauer et al.
D397,482 S 8/1998 Binsukor
5,794,685 A 8/1998 Dean
D400,278 S 10/1998 Binsukor
5,945,736 A * 8/1999 Rife et al. 257/719
6,304,451 B1 * 10/2001 Rife 361/704

(Continued)

Primary Examiner — Kevin Rudzinski

(74) *Attorney, Agent, or Firm* — King & Spalding LLP

(57) **CLAIM**

The ornamental design for a lighting fixture, as shown and described.

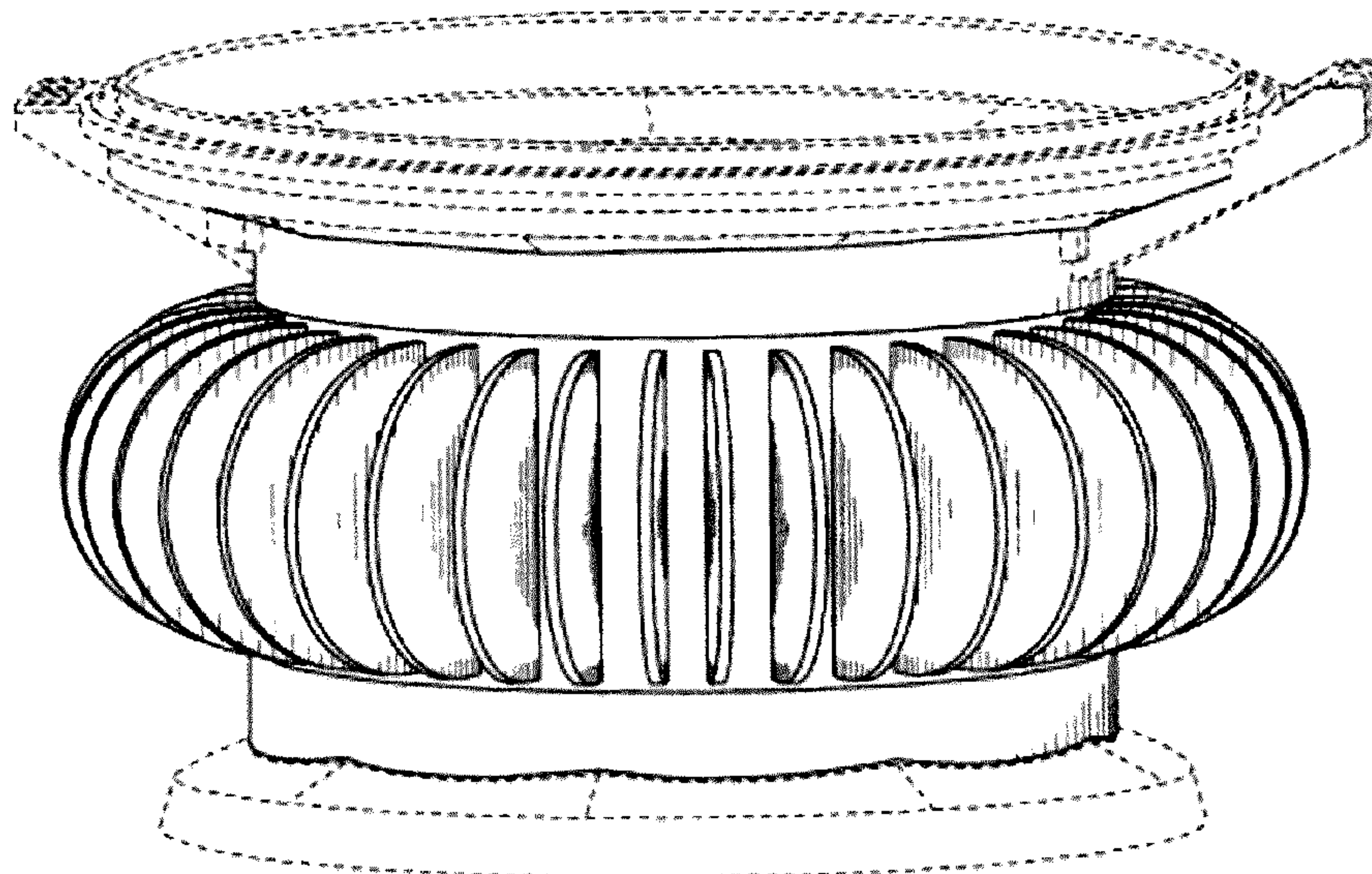
DESCRIPTION

FIG. 1 is a perspective view of a lighting fixture in accordance with our design; and,

FIG. 2 is a top view of the lighting fixture in accordance with our design.

The broken lines shown in the drawings illustrate unclaimed portions of the lighting fixture and form no part of the claimed design.

1 Claim, 1 Drawing Sheet



US D657,908 S

Page 2

U.S. PATENT DOCUMENTS

6,330,908	B1	12/2001	Lee et al.				
6,437,469	B1	8/2002	Davis et al.				
6,491,091	B1 *	12/2002	Lin et al.	165/80.3			
D473,529	S *	4/2003	Feinbloom	D13/179			
D481,688	S	11/2003	Lee et al.				
6,828,673	B2 *	12/2004	Ficorilli et al.	257/707			
6,851,467	B1	2/2005	Bamford et al.				
6,938,680	B2 *	9/2005	Garner et al.	165/104.26			
D530,779	S *	10/2006	Lee	D23/207			
D550,391	S	9/2007	Cesaro				
7,273,091	B2 *	9/2007	Bahl et al.	165/121			
D573,290	S	7/2008	Shuai et al.				
D579,420	S *	10/2008	Chu	D13/179			
D579,602	S	10/2008	Gotz-Schafer				
7,438,448	B2	10/2008	Chen				
D592,799	S	5/2009	Scott				
D593,044	S	5/2009	Chen				
D595,011	S	6/2009	Scott				
7,553,047	B2 *	6/2009	Shin et al.	362/294			
D596,764	S *	7/2009	Yang et al.	D26/2			
D597,247	S *	7/2009	Meyer et al.	D26/113			
D602,193	S	10/2009	Soderman et al.				
D602,194	S	10/2009	Soderman et al.				
D602,195	S	10/2009	Soderman et al.				
7,611,264	B1 *	11/2009	Chang et al.	362/249.02			
7,712,927	B2 *	5/2010	Shuai et al.	362/294			
D623,779	S *	9/2010	Wang et al.	D26/2			
D627,912	S *	11/2010	Mo	D26/72			
D636,517	S *	4/2011	Robinson	D26/67			
D642,316	S *	7/2011	Zheng et al.	D26/72			
2006/0082972	A1	4/2006	Kim				
2006/0102324	A1 *	5/2006	Mok et al.	165/104.33			
2006/0196636	A1 *	9/2006	Liu	165/80.3			
2007/0242461	A1	10/2007	Reisenauer et al.				
2007/0253202	A1	11/2007	Wu et al.				
2007/0297177	A1 *	12/2007	Wang et al.	362/294			
2009/0009999	A1	1/2009	Wang et al.				
2009/0067191	A1	3/2009	Faber et al.				
2009/0147517	A1 *	6/2009	Li et al.	362/249.02			
2009/0147520	A1 *	6/2009	Liu et al.	362/294			
2009/0279314	A1 *	11/2009	Wu et al.	362/373			

* cited by examiner

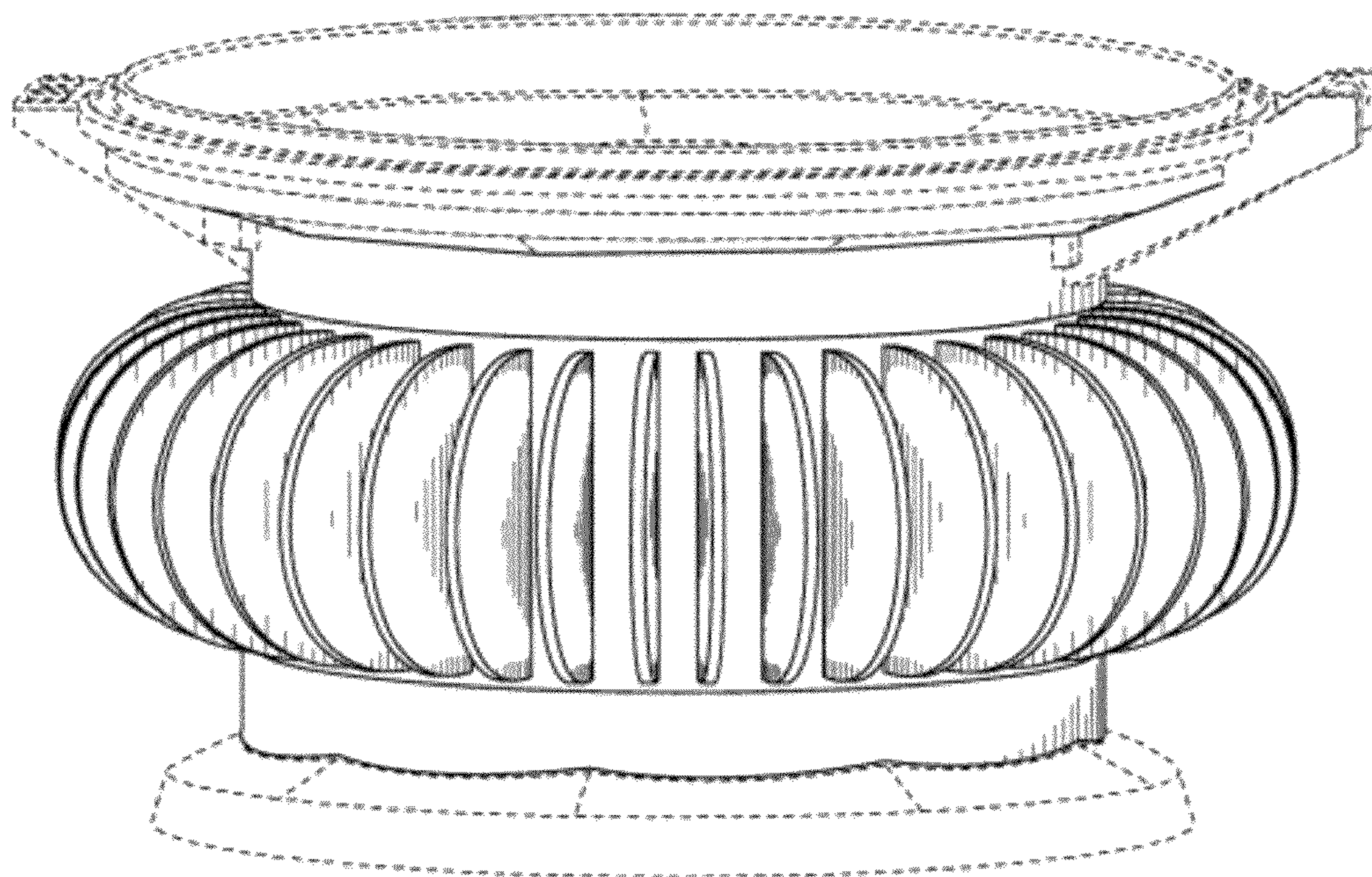


FIG. 1

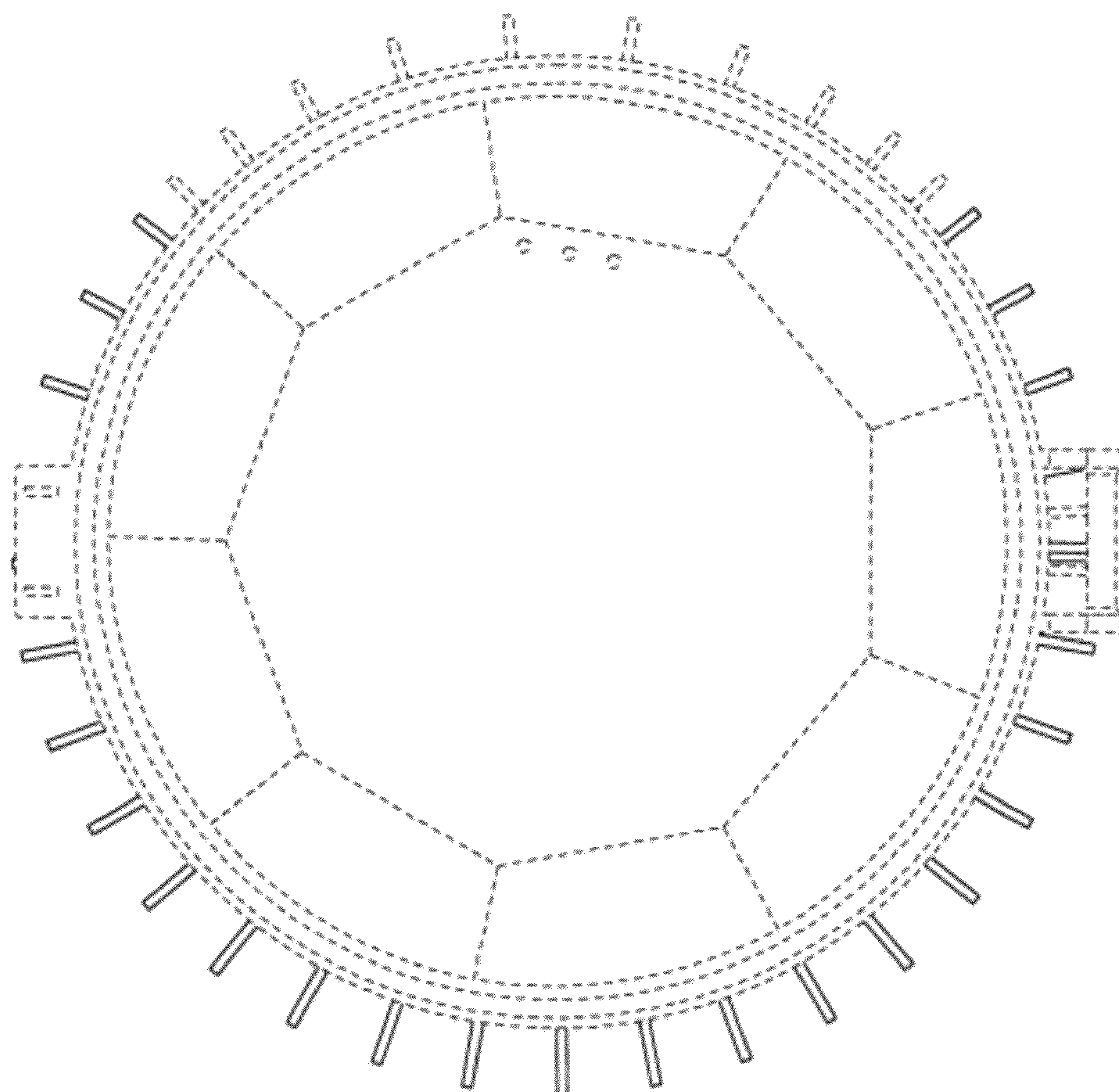


FIG. 2