



US00D657905S

(12) **United States Design Patent**
Yu

(10) **Patent No.:** **US D657,905 S**
(45) **Date of Patent:** **** Apr. 17, 2012**

- (54) **ROUND ARM LUMINAIRE**
- (75) Inventor: **Scott S. Yu**, Mill Valley, CA (US)
- (73) Assignee: **Vode Lighting LLC**, Sonoma, CA (US)
- (**) Term: **14 Years**
- (21) Appl. No.: **29/376,906**
- (22) Filed: **Oct. 13, 2010**

Related U.S. Application Data

- (63) Continuation of application No. 12/838,338, filed on Jul. 16, 2010.
 - (51) **LOC (9) Cl.** **26-99**
 - (52) **U.S. Cl.** **D26/138**
 - (58) **Field of Classification Search** D11/121, D11/11, 89, 90, 91, 92; D26/94, 154, 144, D26/138, 65, 63, 142, 71, 93, 76, 78, 88, D26/80, 69, 74, 72, 118, 119, 120, 113, 121, D26/122, 155, 128, 1, 2, 129, 28, 152, 123, D26/124, 153, 130, 141, 92, 85, 145; D13/134, D13/179, 180; D8/378, 310, 380, 307; D23/411, D23/377; D6/581, 580, 307, 310; D9/552, D9/420, 529, 426, 424, 574, 571, 504, 774, D9/776, 778; 362/253, 405, 96, 394, 362, 362/223, 544, 240, 545; D34/1; 200/331; D25/127, 129; D7/510, 523, 586; 273/153 S, 273/160; D21/478, 479
- See application file for complete search history.

(56) **References Cited**

U.S. PATENT DOCUMENTS

- 1,861,314 A * 5/1932 McAndrew 285/89
- 2,208,893 A * 7/1940 Burch 126/312
- D174,883 S * 5/1955 Millerbernd D25/127
- 2,750,142 A * 6/1956 McKee 248/222.14
- D193,632 S * 9/1962 Patience, Jr. D26/66
- D195,310 S * 5/1963 Zagel D26/70
- D201,826 S * 8/1965 Deskey et al. D26/68
- D203,863 S * 2/1966 Nuemann D26/107

- 3,270,480 A * 9/1966 Beecker 52/848
- 3,410,995 A * 11/1968 Gray 52/28
- 3,521,413 A * 7/1970 Scott et al. 52/98
- D219,343 S * 12/1970 Rinaldi D25/127
- 3,571,991 A * 3/1971 Doocy et al. 52/40
- 3,579,908 A * 5/1971 Morgan 47/45
- D222,810 S * 1/1972 Husby et al. D26/68
- 3,755,977 A * 9/1973 Lewis 52/98
- 4,092,562 A * 5/1978 Campbell 315/189
- 4,413,311 A * 11/1983 Orenstein 362/219
- D271,913 S * 12/1983 Nanfito et al. D32/55
- 4,420,798 A * 12/1983 Herst et al. 362/147
- 4,486,820 A * 12/1984 Baba et al. 362/183
- 4,639,843 A * 1/1987 Compton 362/431
- D291,011 S * 7/1987 Fleming D26/138
- D293,030 S * 12/1987 Vladescu D26/107
- 4,712,165 A * 12/1987 Cetrone 362/147
- D295,287 S * 4/1988 Krogsrud et al. D16/135

(Continued)

Primary Examiner — Kevin Rudzinski

(74) *Attorney, Agent, or Firm* — Antero & Tormey LLP; Pete Tormey; Richard Moerschell

(57) **CLAIM**

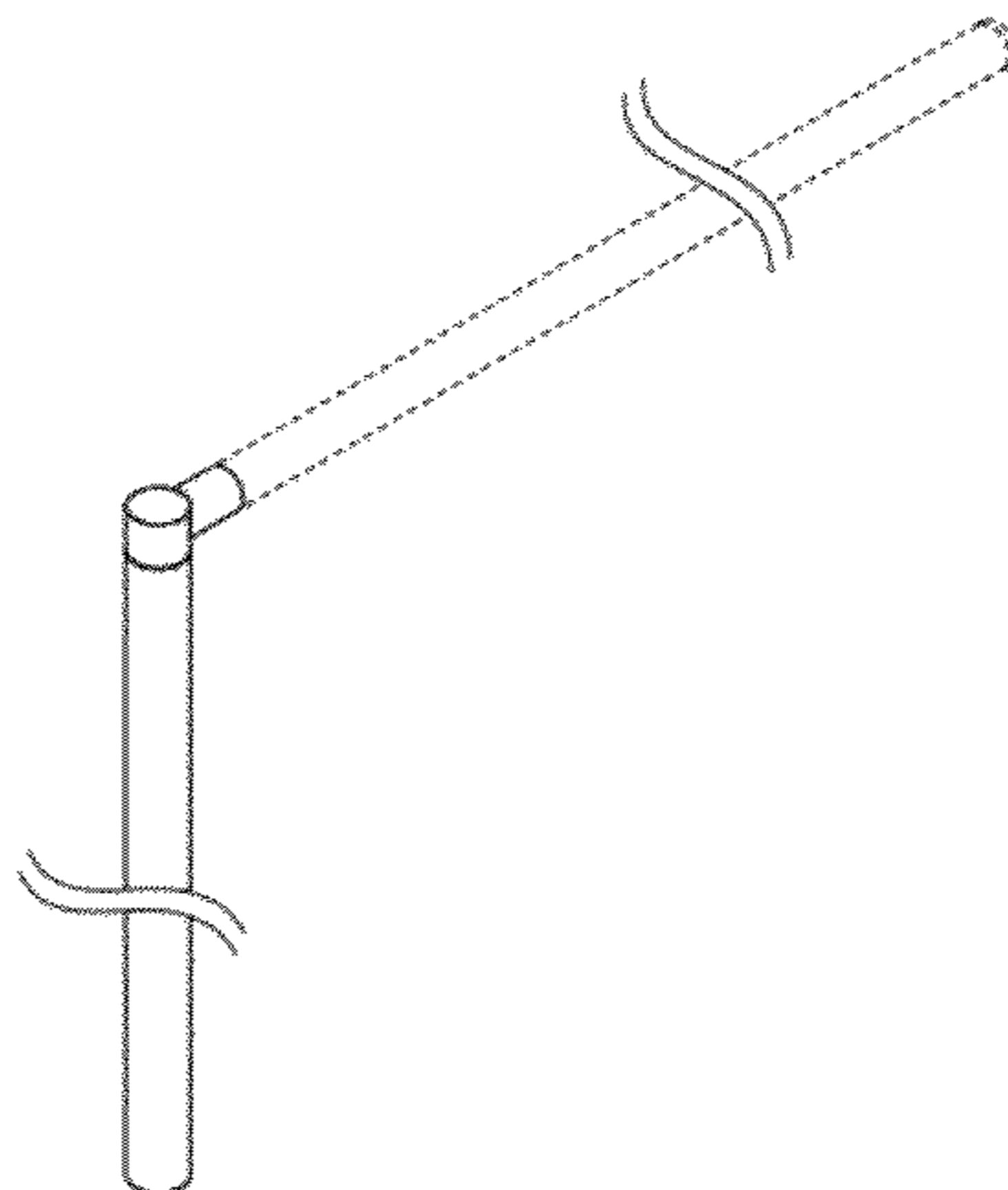
The ornamental design of a round arm luminaire, as shown and described.

DESCRIPTION

- FIG. 1 is a perspective view of a round arm luminaire according to the present disclosure;
- FIG. 2 is an enlarged right side view thereof;
- FIG. 3 is an enlarged left side view thereof;
- FIG. 4 is a front view thereof;
- FIG. 5 is a back view thereof;
- FIG. 6 is an enlarged top view thereof;
- FIG. 7 is an enlarged bottom view thereof; and,
- FIG. 8 is an alternative perspective view.

The claimed design is shown in solid, relatively broad lines. The broken lines in the Figures show environmental structure only and form no part of the claimed invention. The design is shown broken away to indicate that the design is of no specific length or height.

1 Claim, 8 Drawing Sheets



US D657,905 S

Page 2

U.S. PATENT DOCUMENTS

5,007,666	A *	4/1991	Kyfes	285/373	D558,909	S *	1/2008	Ertze Encinas et al.	D26/71
5,088,683	A *	2/1992	Briden	248/548	D570,512	S *	6/2008	Smith	D26/63
5,149,188	A *	9/1992	Robbins	362/183	D573,298	S *	7/2008	Kinnune et al.	D26/142
5,303,136	A *	4/1994	Brown	362/421	D573,742	S *	7/2008	Bears	D26/71
D350,620	S *	9/1994	Yuen	D26/65	D579,597	S *	10/2008	Ng	D26/61
D373,002	S *	8/1996	Porter	D26/81	D582,594	S *	12/2008	Zhou et al.	D26/69
D387,880	S *	12/1997	Carretto	D25/126	7,500,654	B2 *	3/2009	Rosaen	256/65.14
D391,004	S *	2/1998	Porter et al.	D26/107	D590,091	S *	4/2009	Starck	D26/93
5,772,311	A *	6/1998	Williams et al.	362/238	D595,009	S *	6/2009	Osgerby et al.	D26/107
5,862,625	A *	1/1999	Parker	47/47	D598,156	S *	8/2009	Xiao et al.	D26/69
5,913,635	A *	6/1999	Graham	405/43	D598,597	S *	8/2009	Lu et al.	D26/68
D421,132	S *	2/2000	Chipman et al.	D25/56	D598,599	S *	8/2009	Zhou et al.	D26/69
6,142,453	A *	11/2000	Martin	256/65.05	D599,048	S *	8/2009	Xiao et al.	D26/68
D440,638	S *	4/2001	Lefroy-Brooks	D23/255	D610,536	S *	2/2010	Brumels	D13/102
D440,704	S *	4/2001	Compton et al.	D26/155	D610,729	S *	2/2010	Kushinskaya et al.	D26/63
6,425,676	B1 *	7/2002	Lyons	362/152	D611,634	S *	3/2010	Newhouse	D26/61
6,685,154	B1 *	2/2004	Blyth et al.	248/512	D613,897	S *	4/2010	Thun	D26/88
6,930,237	B2 *	8/2005	Mattiuzzo	136/251	2006/0203489	A1 *	9/2006	Chen	362/253
D517,233	S *	3/2006	Doppelt	D26/67	2007/0002561	A1 *	1/2007	Tesmer et al.	362/183
7,017,299	B1 *	3/2006	Speed et al.	47/44	2007/0159836	A1 *	7/2007	Huang et al.	362/431
D522,163	S *	5/2006	Begasse	D26/71	2009/0237918	A1 *	9/2009	Yang	362/183
7,066,619	B2 *	6/2006	Waters	362/147	2009/0268451	A1 *	10/2009	Zheng et al.	362/235
D555,279	S *	11/2007	Schneider	D26/71	2009/0273922	A1 *	11/2009	Ho et al.	362/183
D556,355	S *	11/2007	Foster	D26/63	2010/0090605	A1 *	4/2010	Nevins	315/159

* cited by examiner

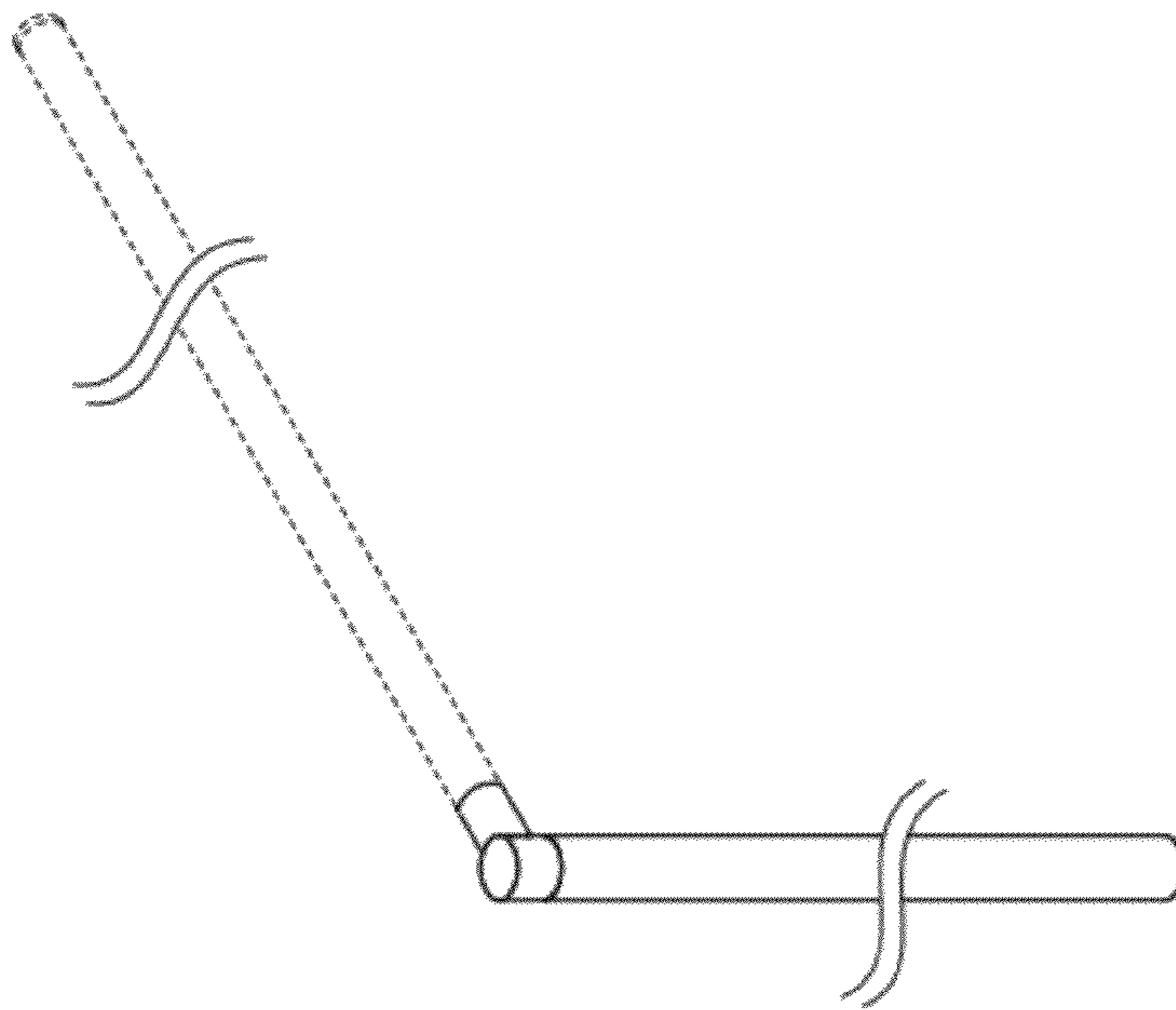


Figure 1

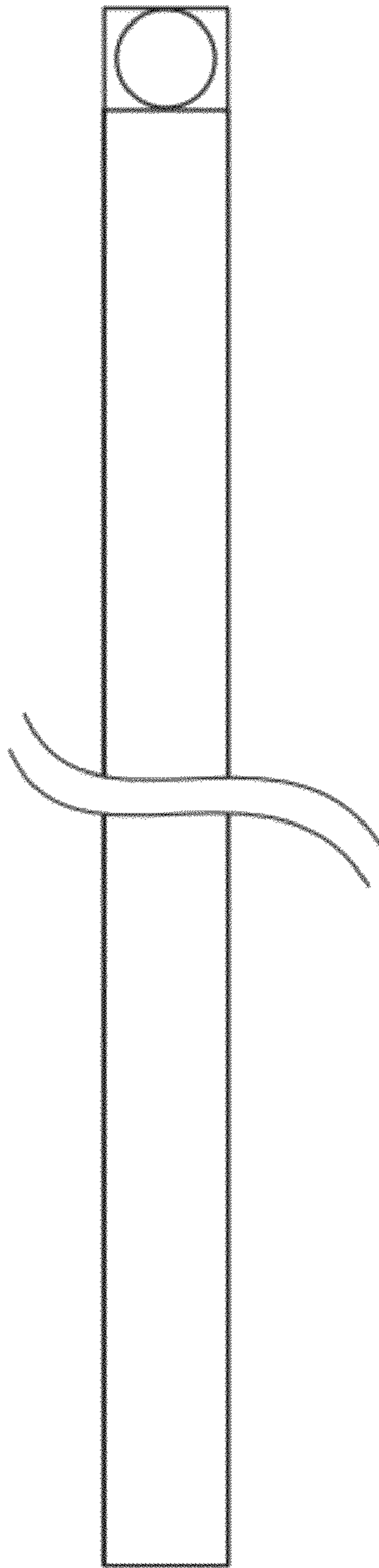


Figure 2

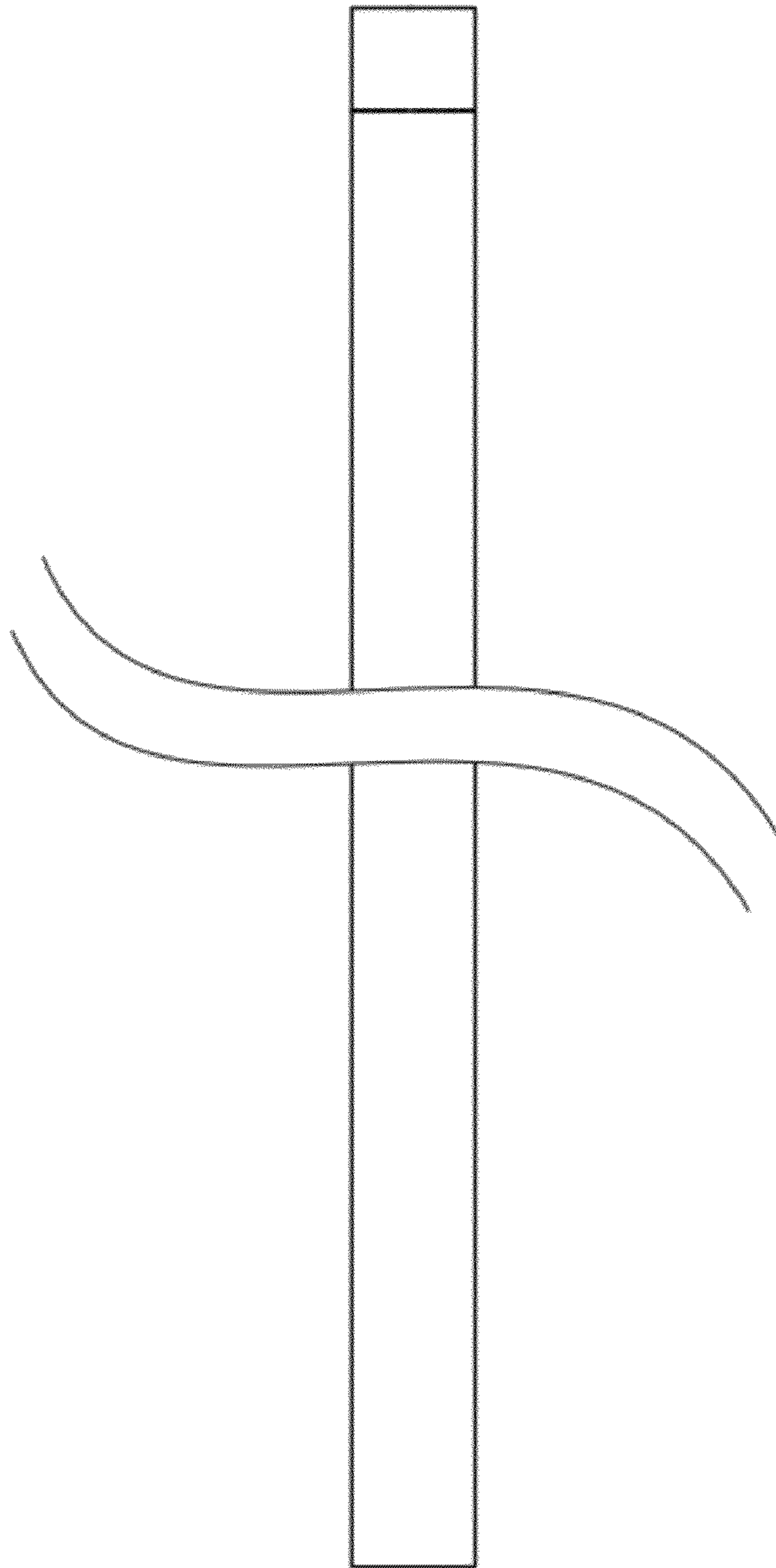


Figure 3

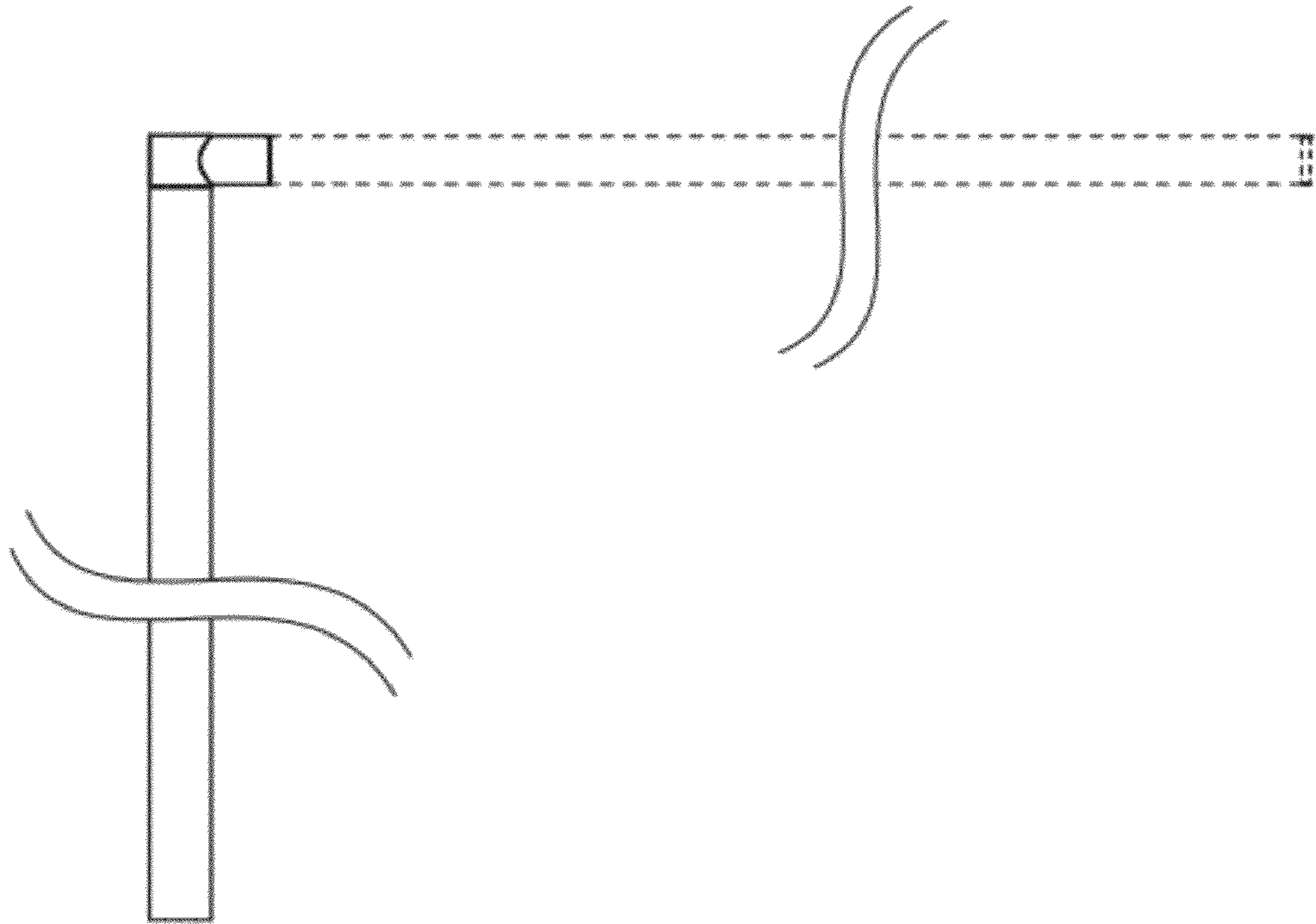


Figure 4

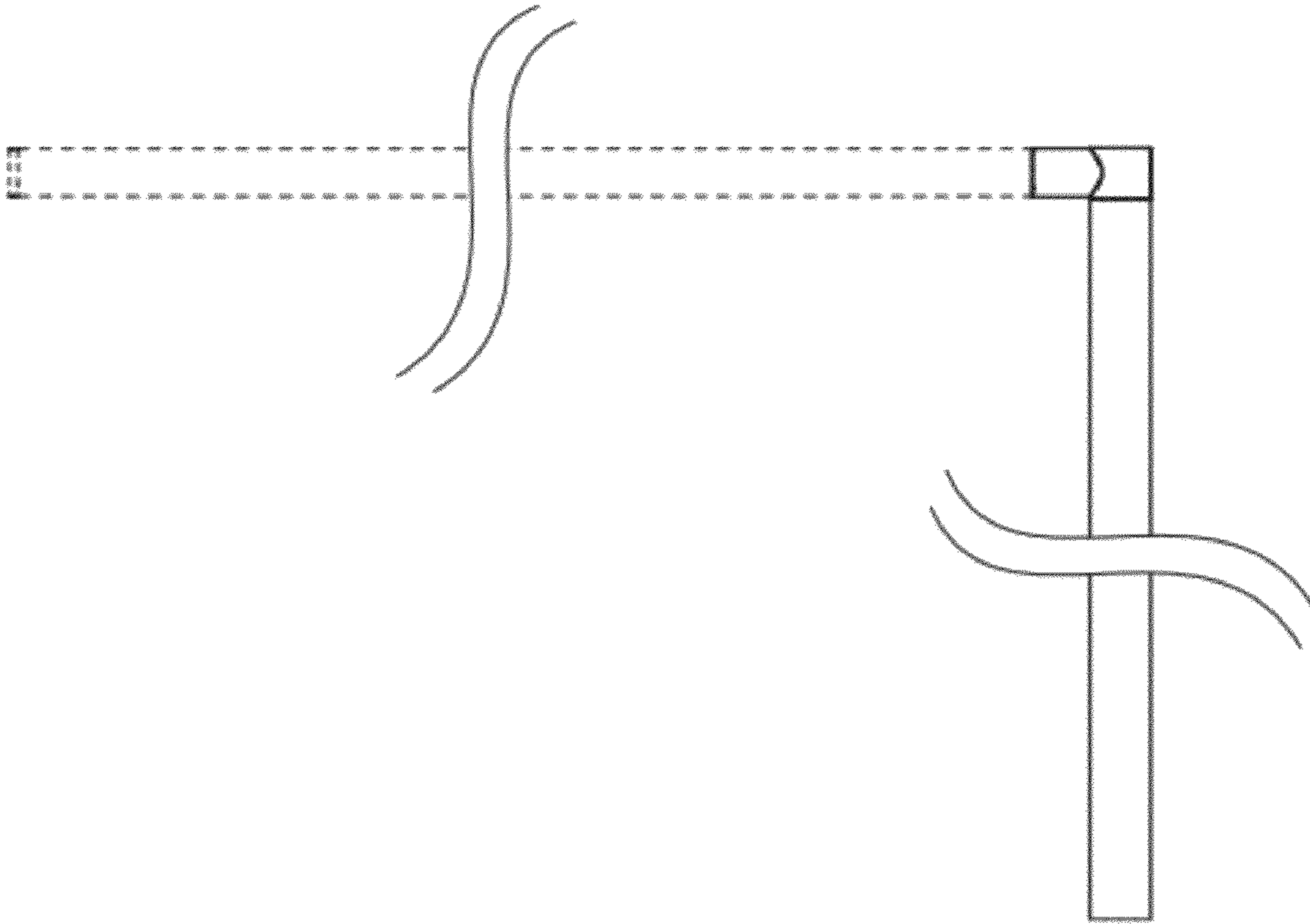


Figure 5

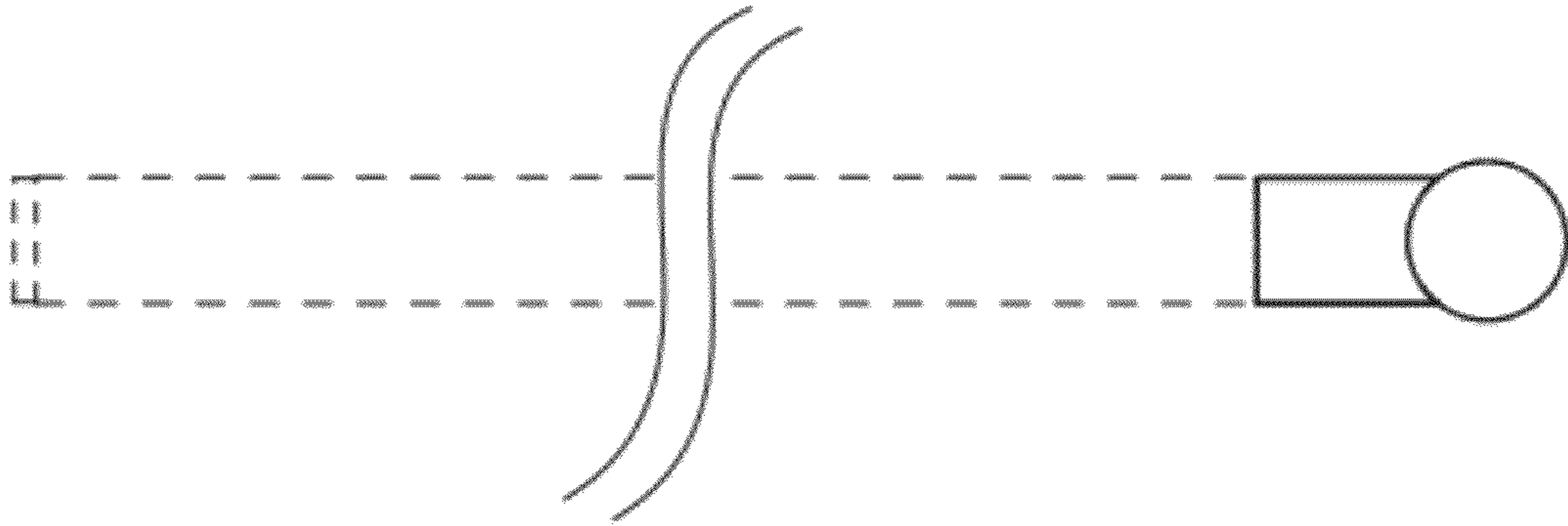


Figure 6

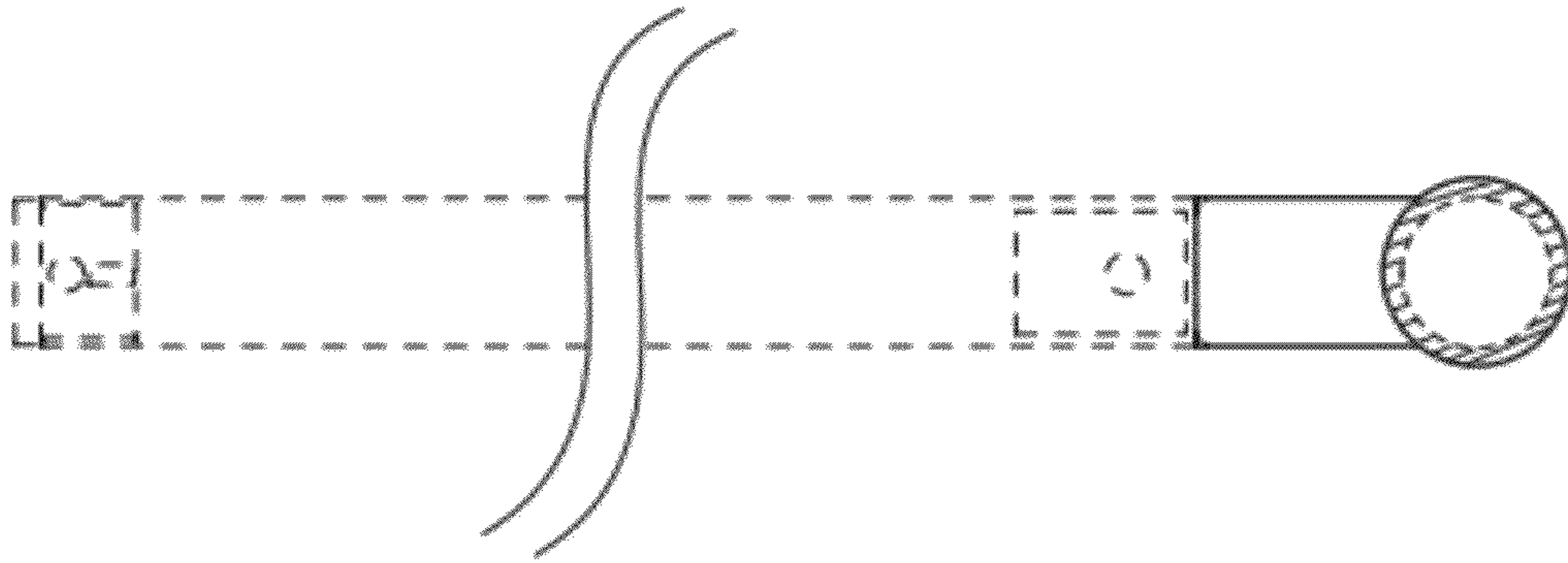


Figure 7

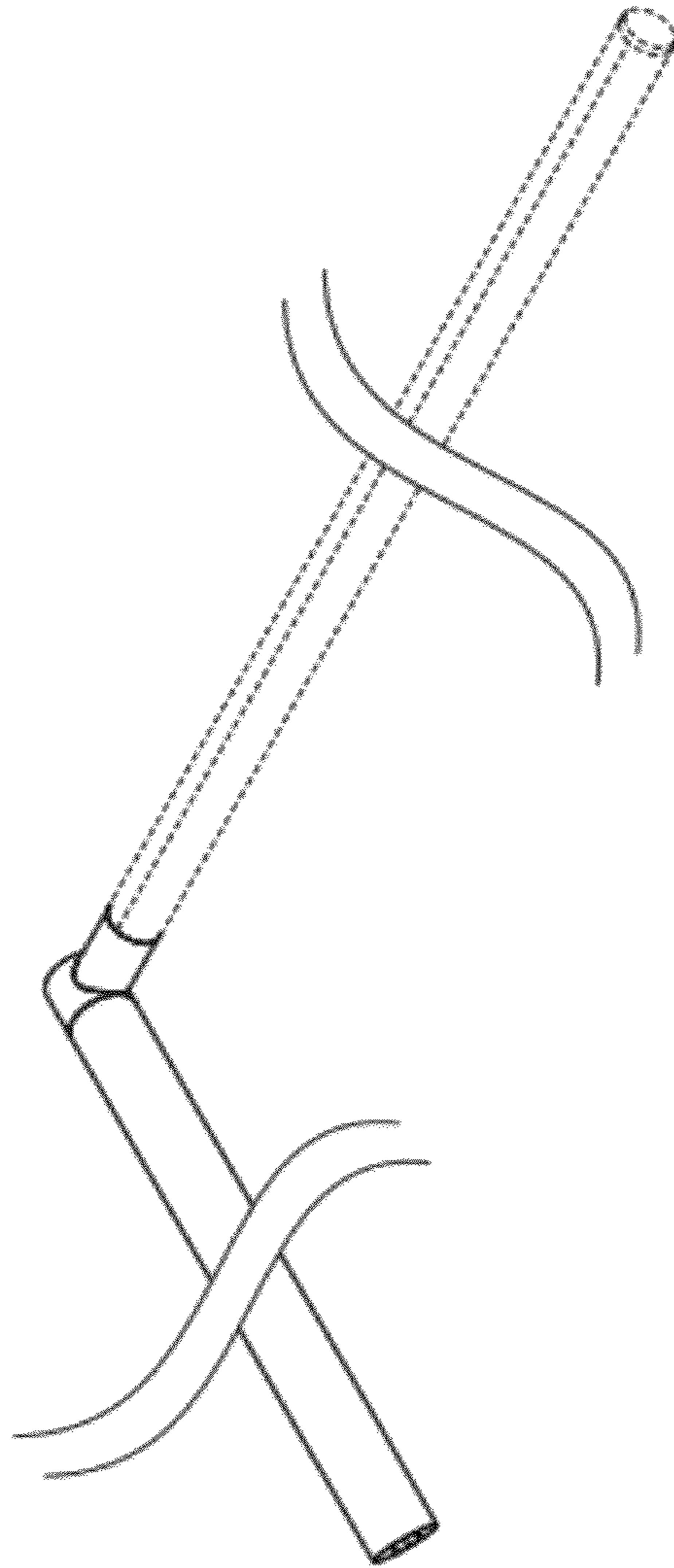


Figure 8